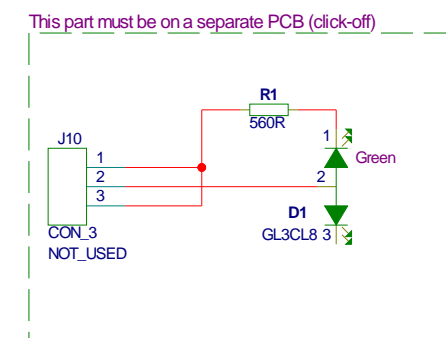


M1
M5095-D



TC Electronic A/S		Designer MFA/CGF
Title REMOTE CPU BOX (FOR ICON)		Module title INTERFACE BOARD
Number M5095	Revision DAA	Previous page XX
Date 1-14-2010 14:19	Filename M5095-D	Page / of 1 / 1