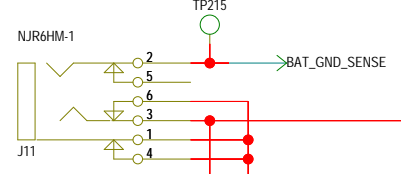


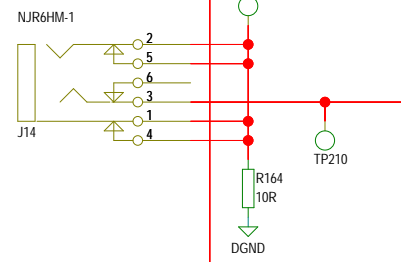
M1
P22386-A
pcb

				Designer(s)	HJE/PRO
Title 1373-STARGATE				Module title	MODULE TITLE
Number P22386	Revision A	Variant B	Version B	Board type	MAINBOARD
Date 04/08/2015:12:35	Filename			Page / of	1 / 5

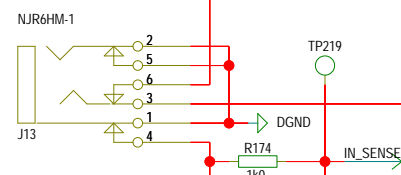
INPUT L



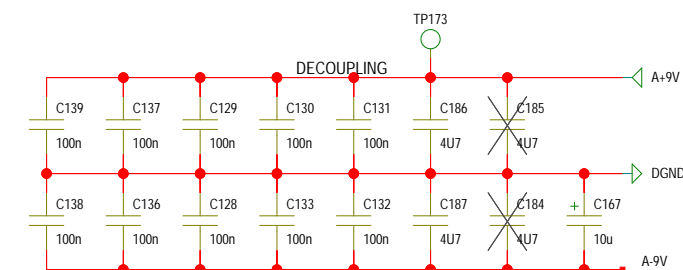
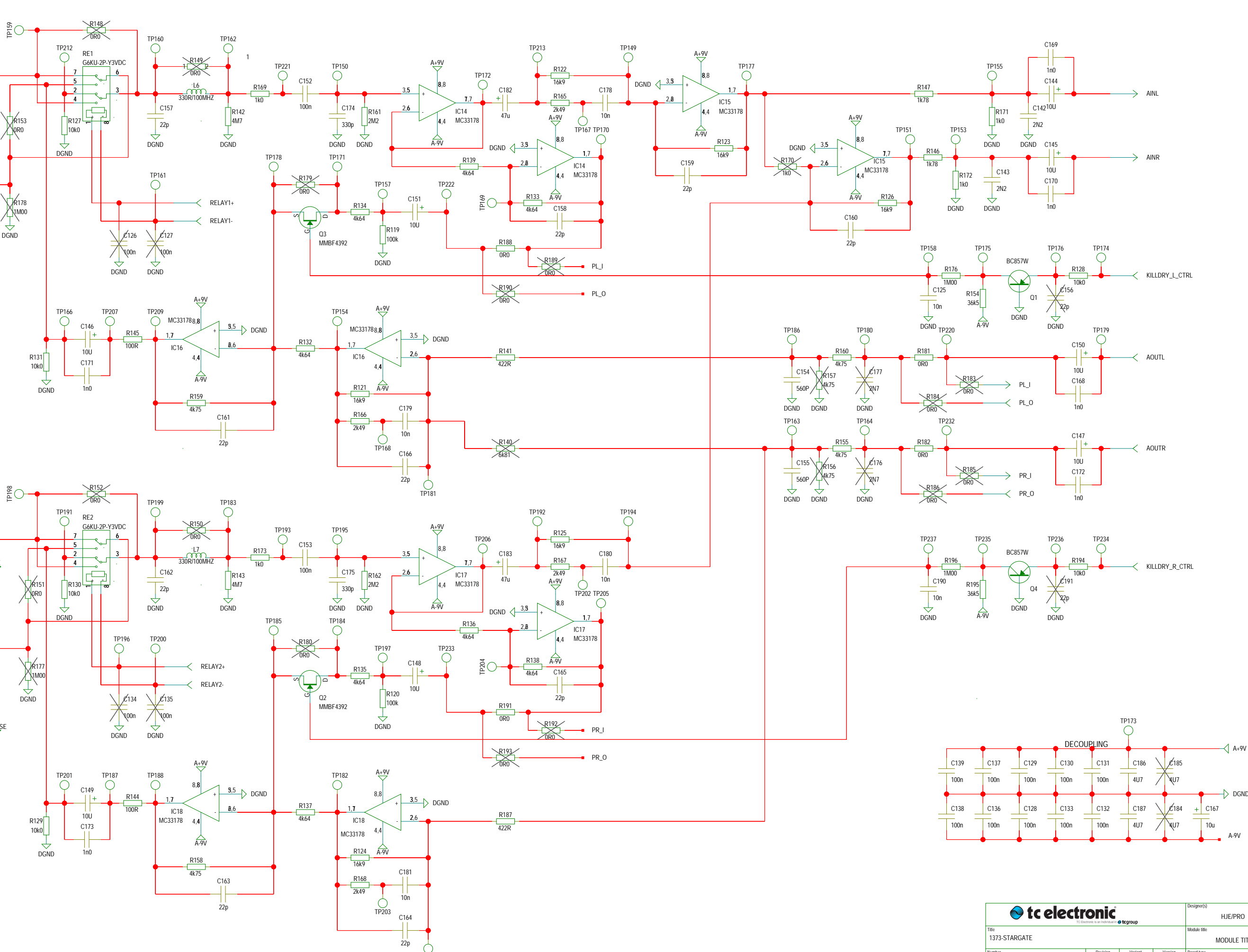
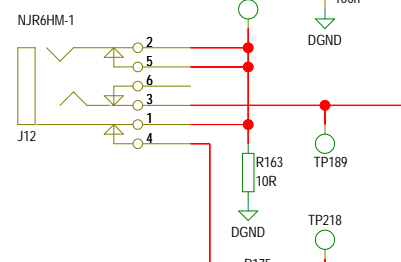
OUTPUT L



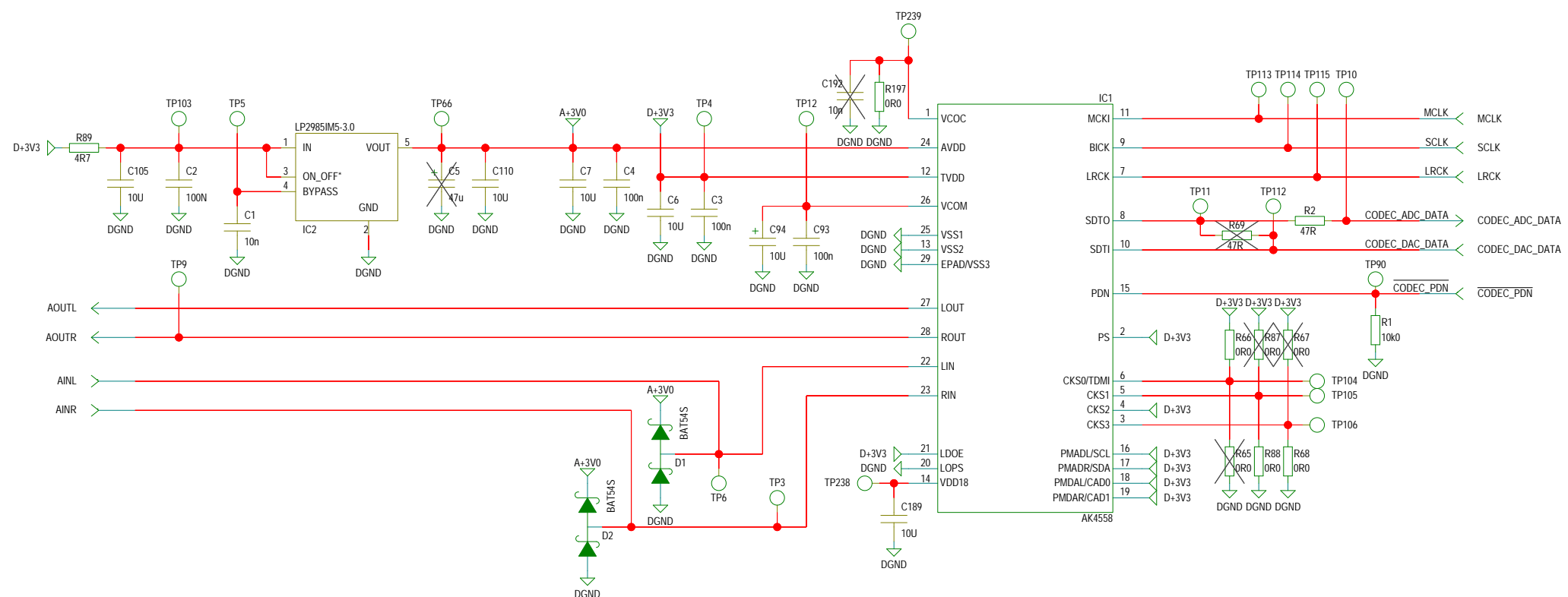
INPUT R



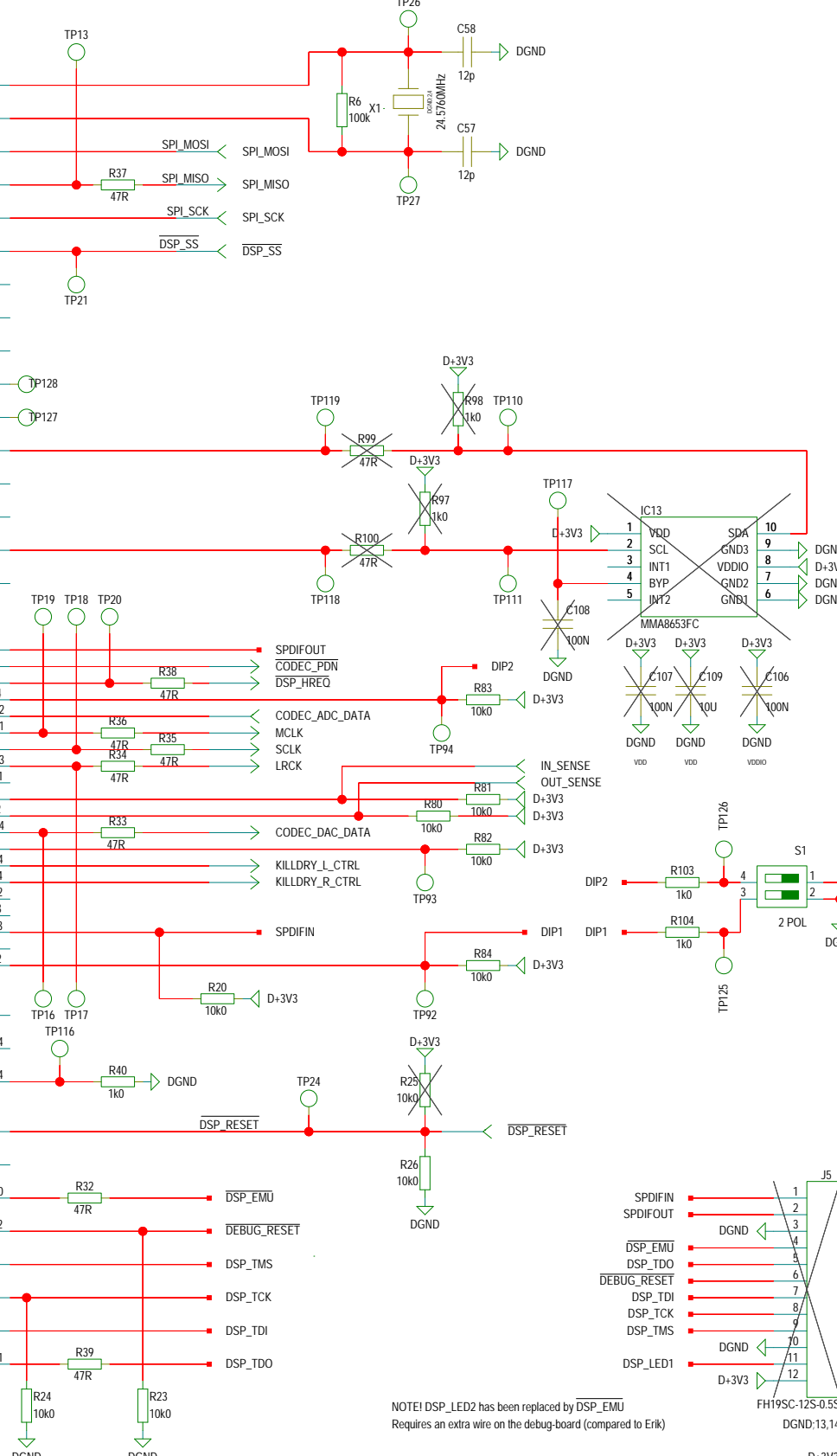
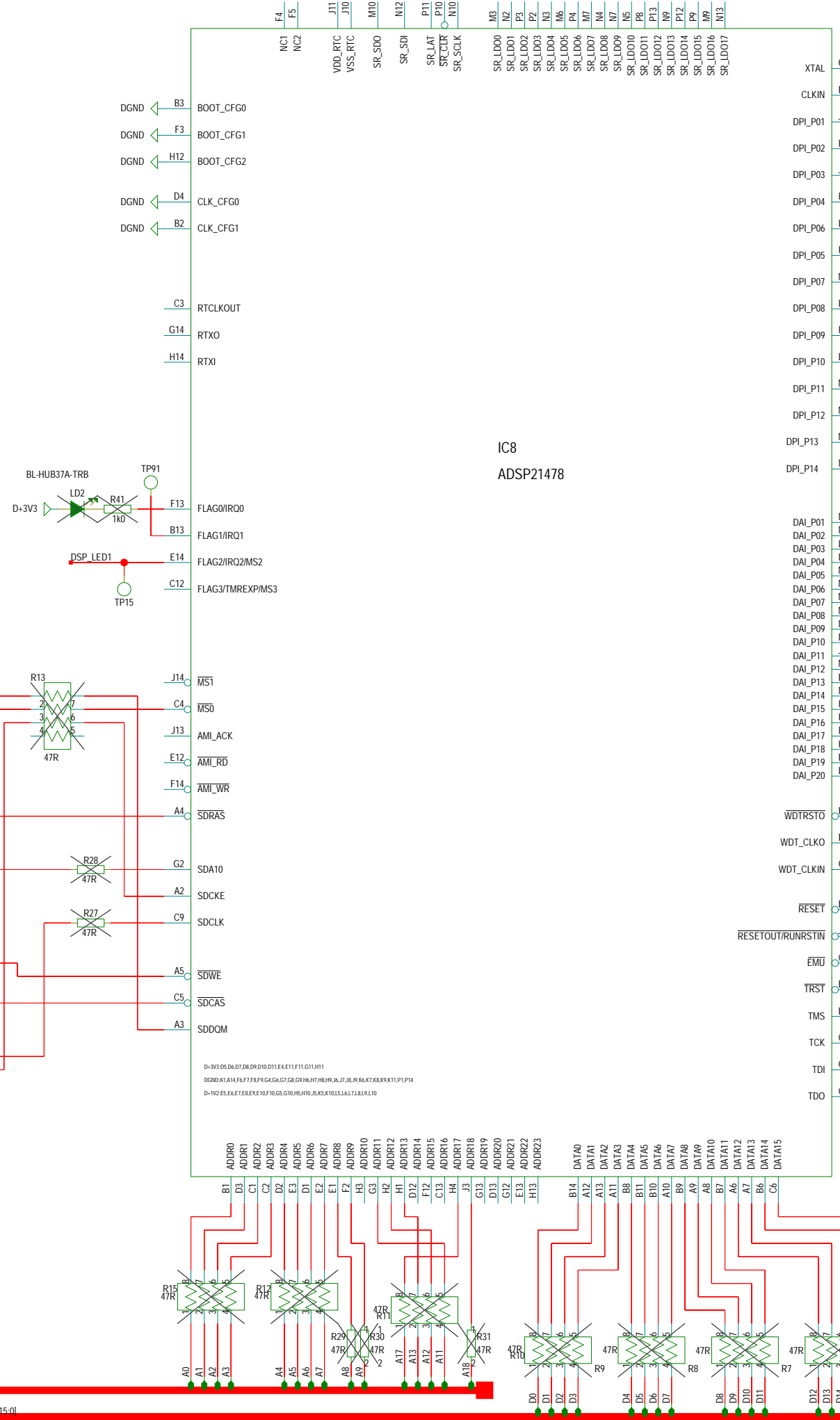
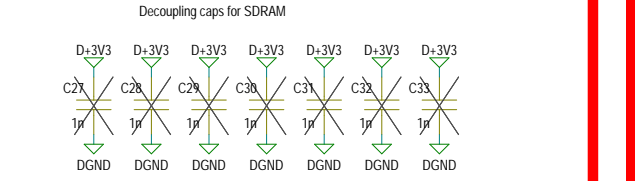
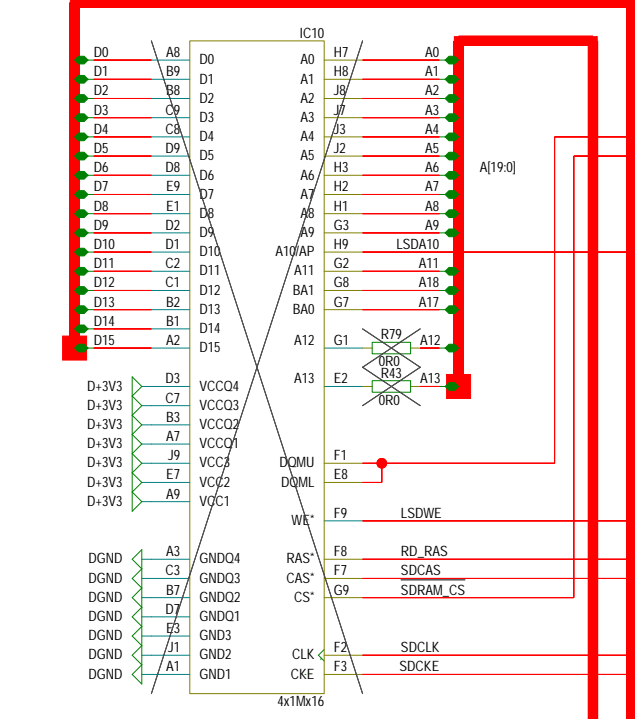
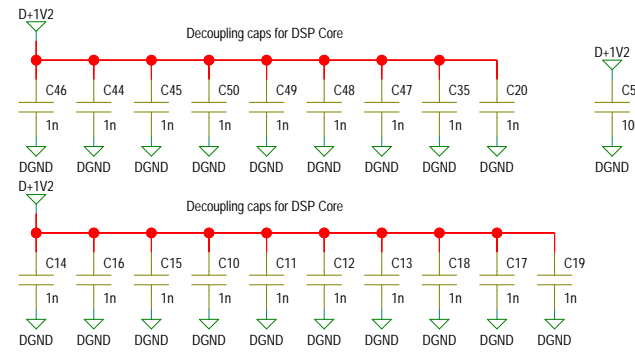
OUTPUT R



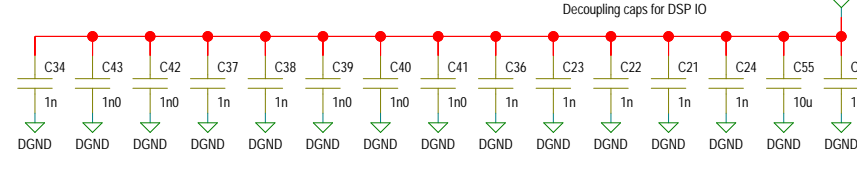
tc electronic <small>TC Electronic is an American company</small>				tcgroup	
Title: 1373-STARGATE					
Number: P22386					
Date: 04/08/2015:12:36		Revision: A		Variant: B	
Filename: ANALOG		Version: B		Page: 1 of 5	
Designer(s): HJE/PRO				Module title: MODULE TITLE	
Board type: MAINBOARD					



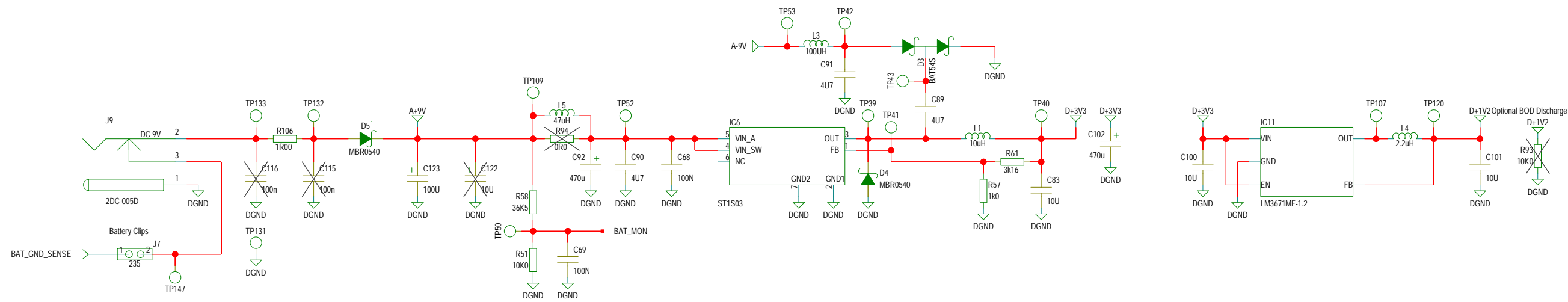
				Designer(s)	
				HJE/PRO	
Title				Module title	
1373-STARGATE				MODULE TITLE	
Number	Revision	Variant	Version	Board type	
P22386	A	B	B	MAINBOARD	
Date	Filename	Page / of			
04/08/2015:12:35	codec	4 / 5			



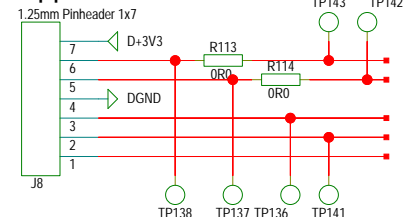
NOTE! DSP_LED2 has been replaced by DSP_EMU
Requires an extra wire on the debug-board (compared to Erik)



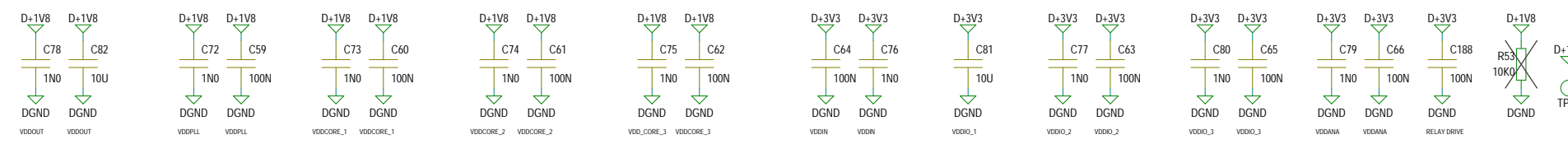
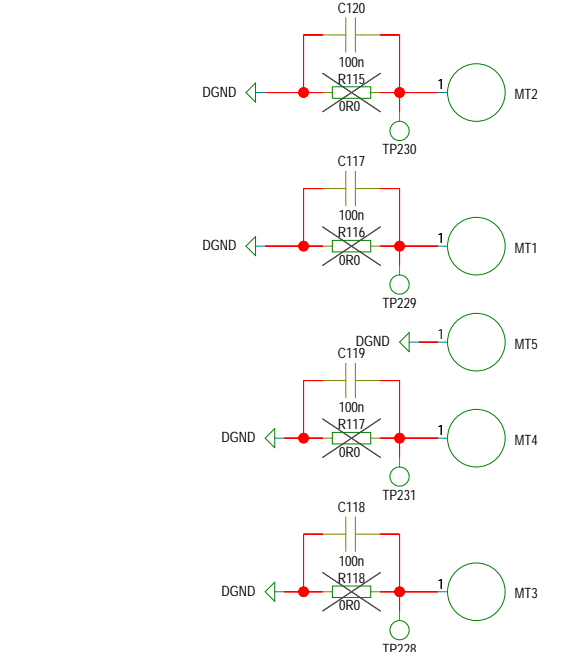
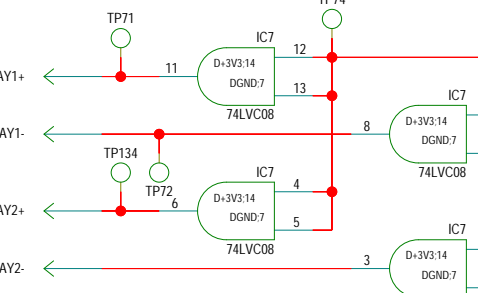
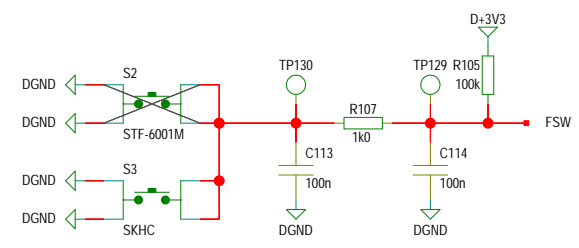
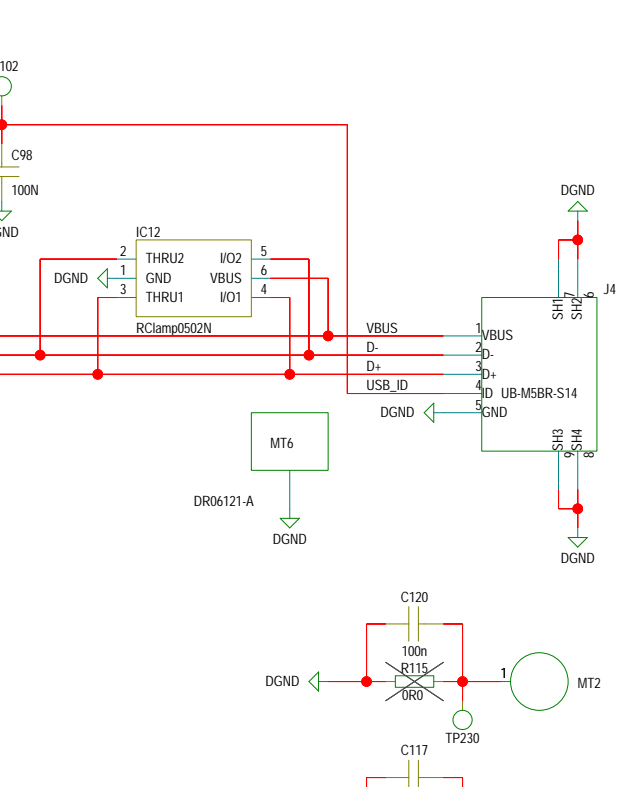
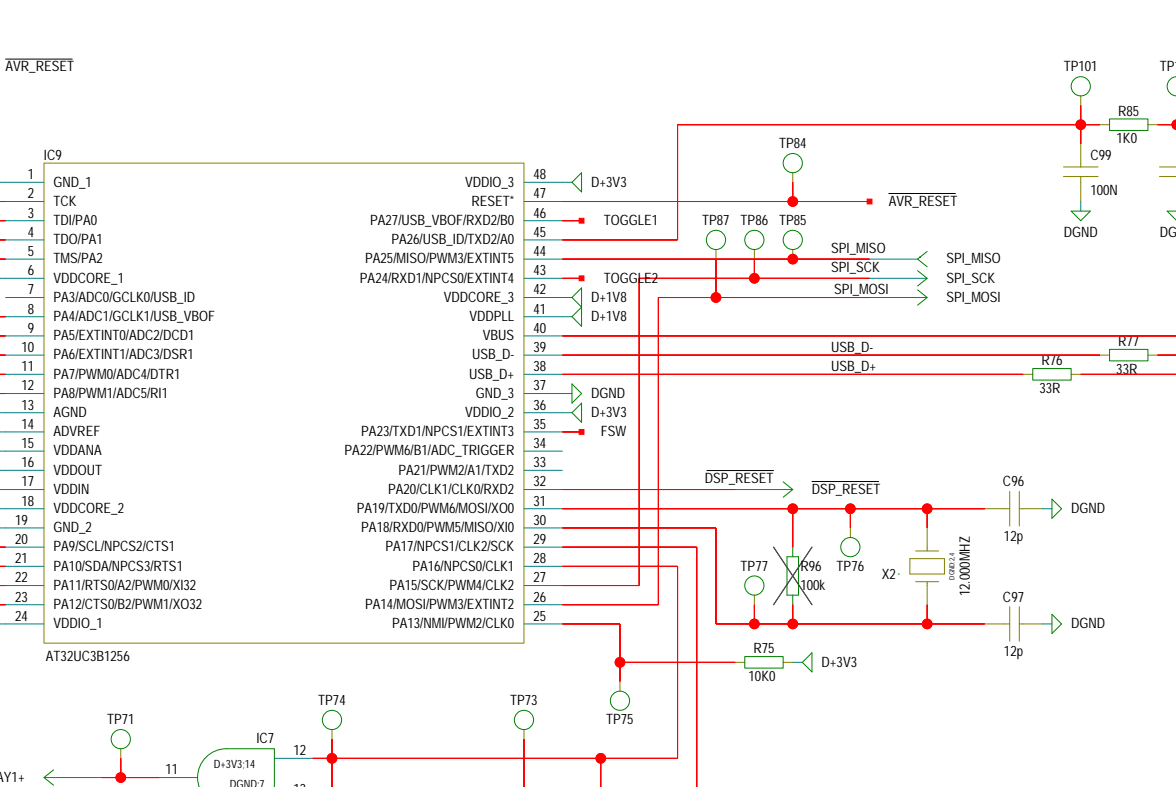
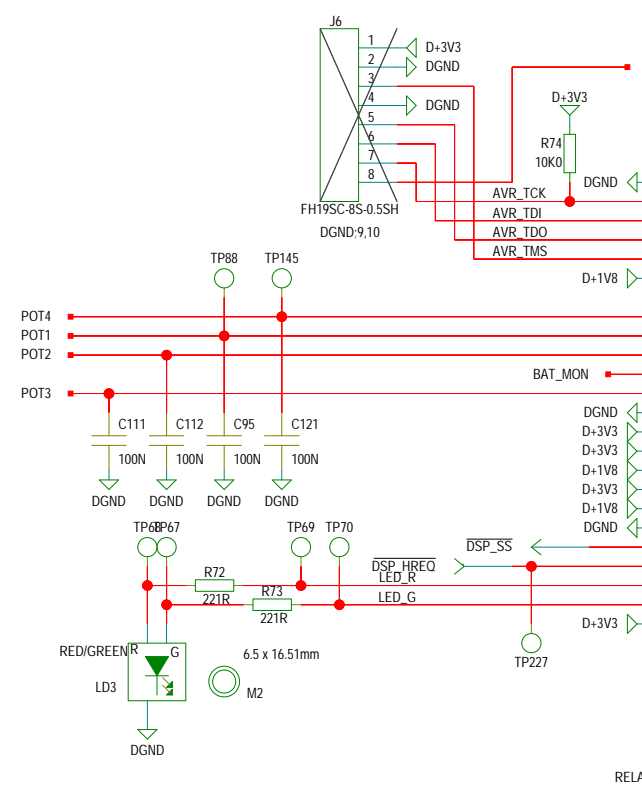
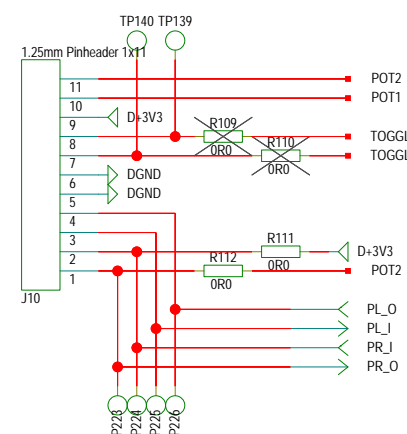
				Designer(s)		HJE/PRO	
Title 1373-STARGATE				Module title		MODULE TITLE	
Number P22386		Revision A	Variant B	Version B	Board type		MAINBOARD
Date 04/08/2015:12:35		Filename dsp		Page / of 3 / 5			



Upper Pots



Lower Pots



tc electronic		HJE/PRO	
Title: 1373-STARGATE		Module title: MODULE TITLE	
Number: P22386	Revision: A	Variant: B	Version: B
Date: 04/08/2015:12:36		Page: 1 of 5	