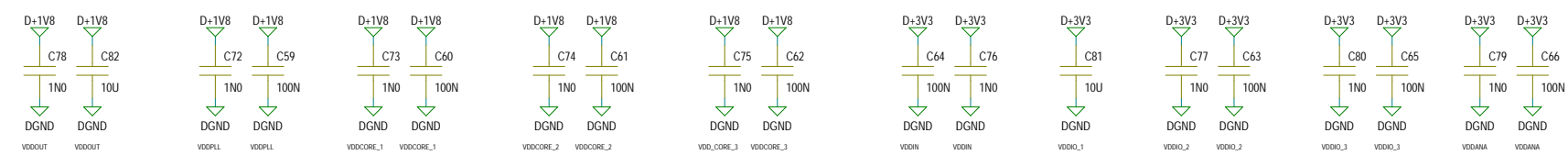
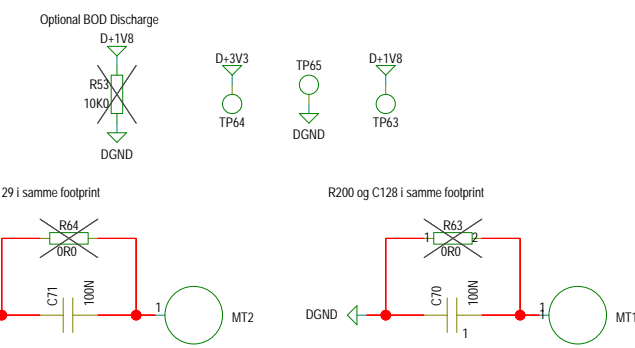
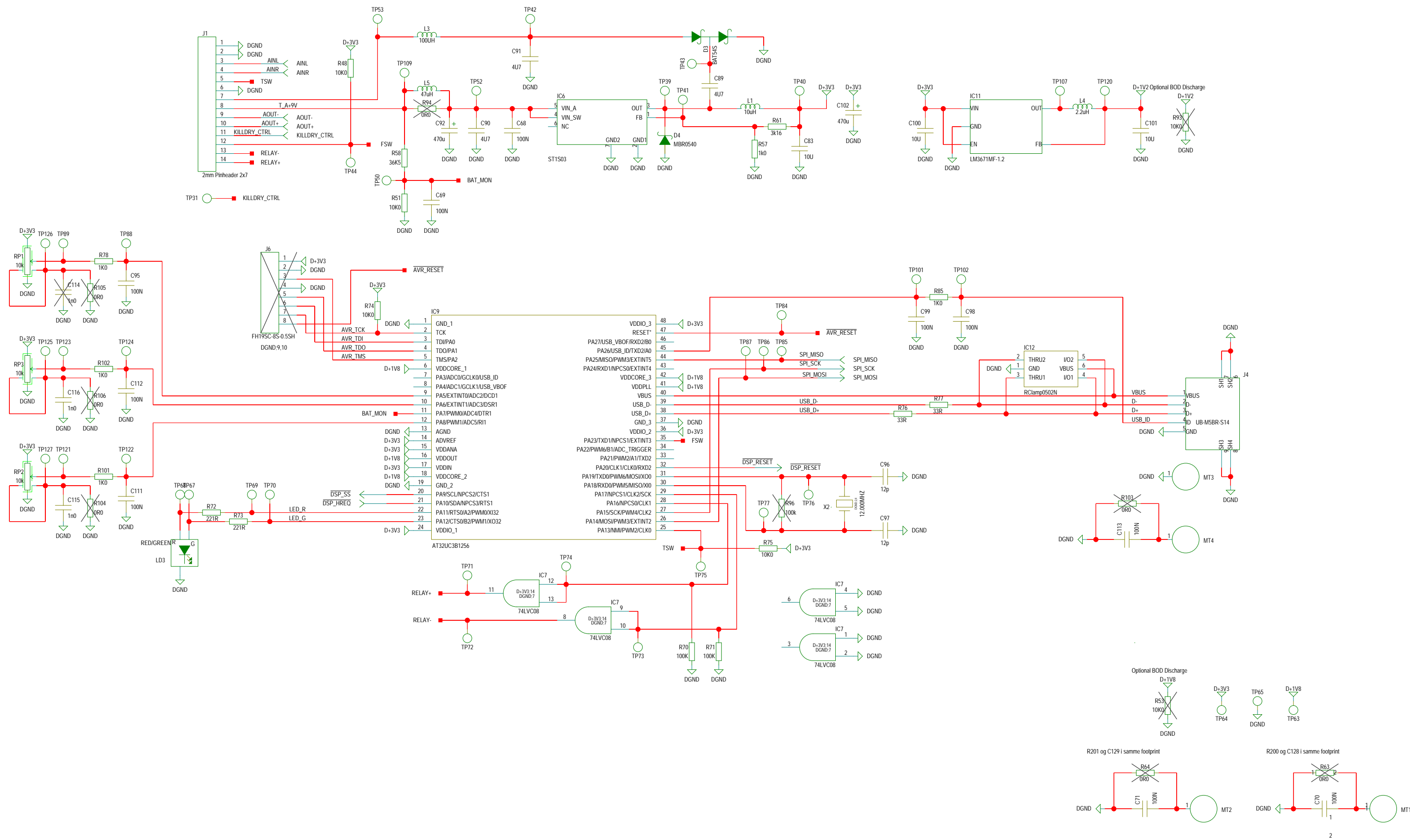
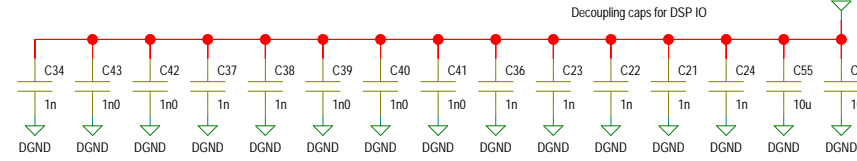
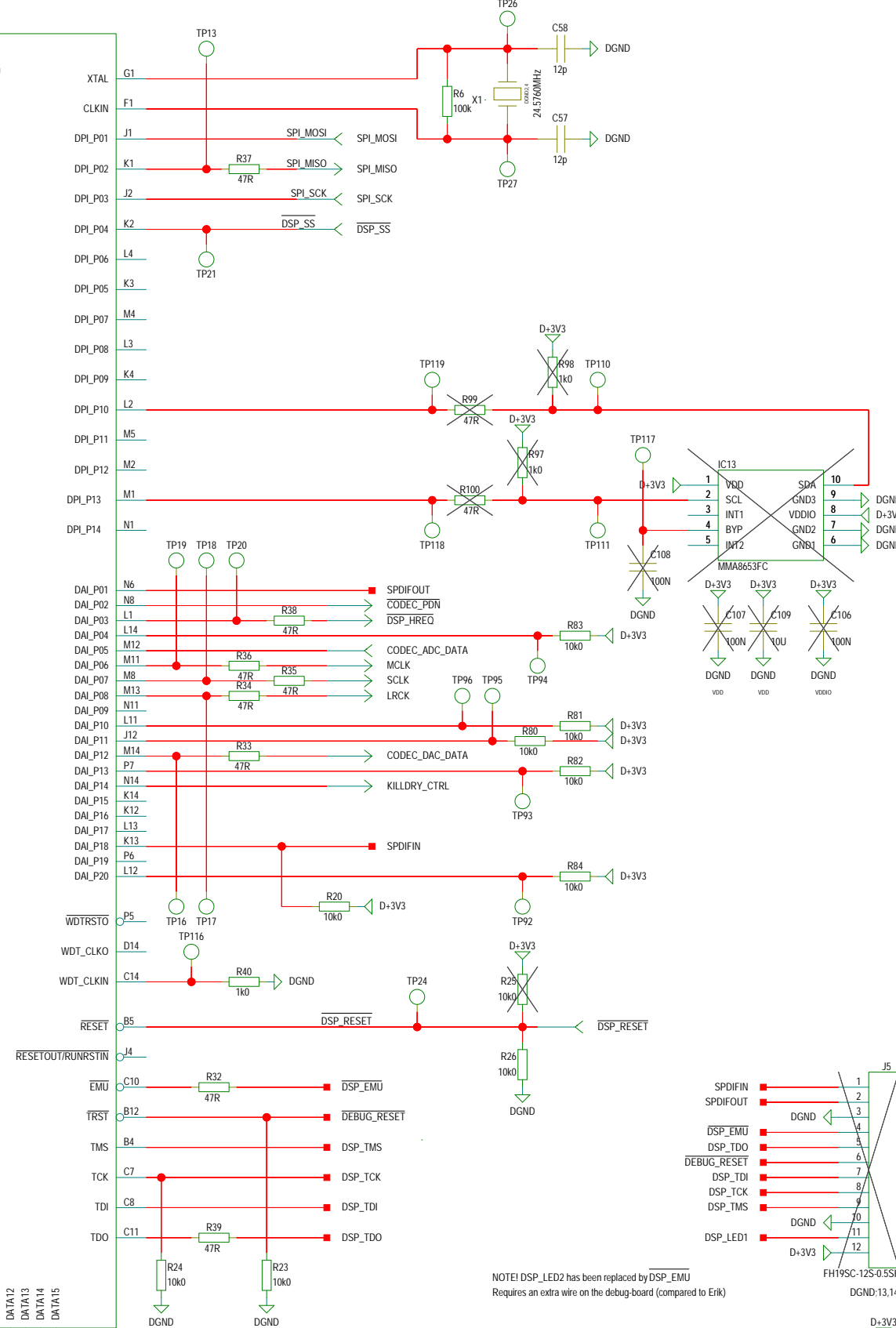
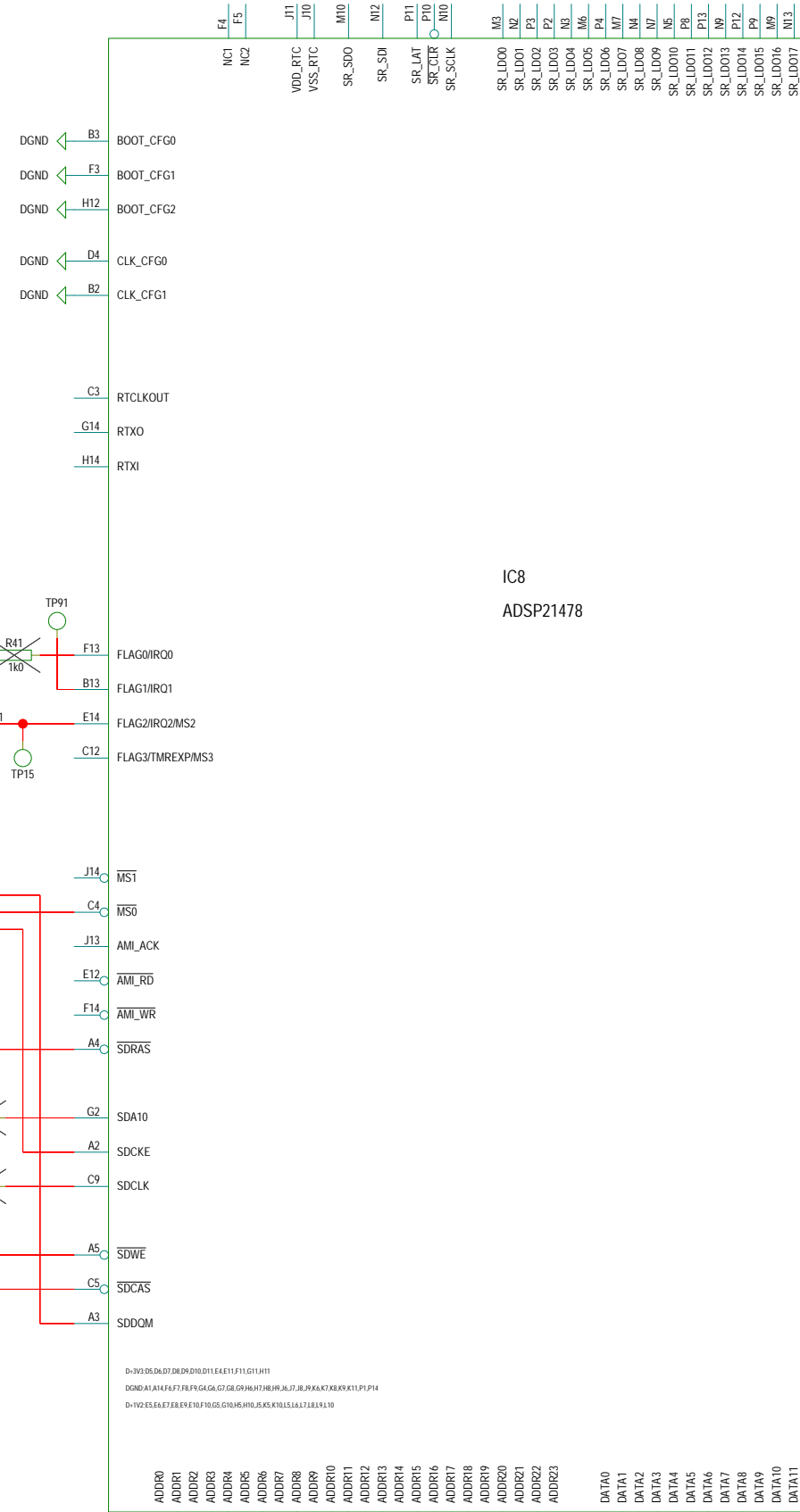
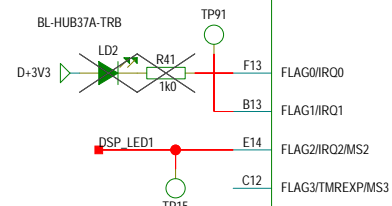
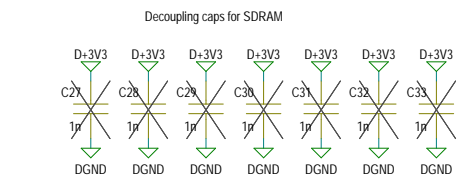
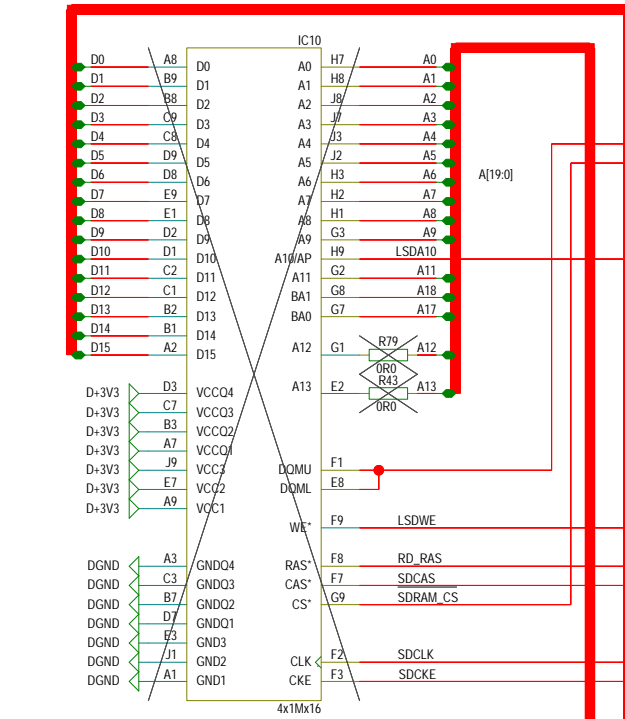
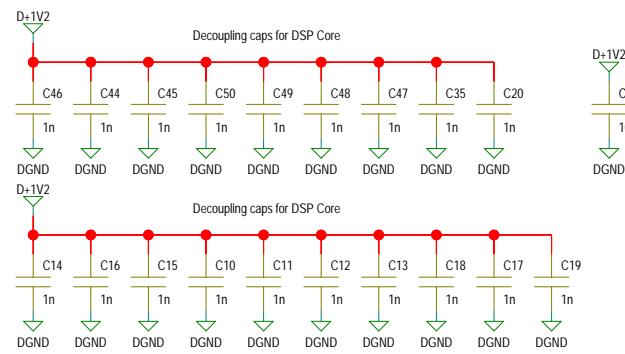


M1
P22594-B
pcb

				Designer(s)	HJE/PRO
Title 1291-ORANGEPOD				Module title	MODULE TITLE
Number P22594	Revision B	Variant D	Version B	Board type	UI BOARD
Date 13/01/2014:10:56	Filename			Page / of	1 / 4



		HJE/PRO	
		Module title	
Title	1291-ORANGEPOD	MODULE TITLE	
Number	P22594	Revision	B
		Variant	D
		Version	B
Date	13/01/2014:10:56	Board type	UI BOARD
	uc_and_connects	Page / of	
		2 / 4	



tc electronic		tc group		Designer(s)	HJE/PRO
Title	1291-ORANGEPOD	Revision	B	Variant	D
Number	P22594	Version	B	Board type	UI BOARD
Date	13/01/2014:10:56	Filename	dsp	Page / of	3 / 4

