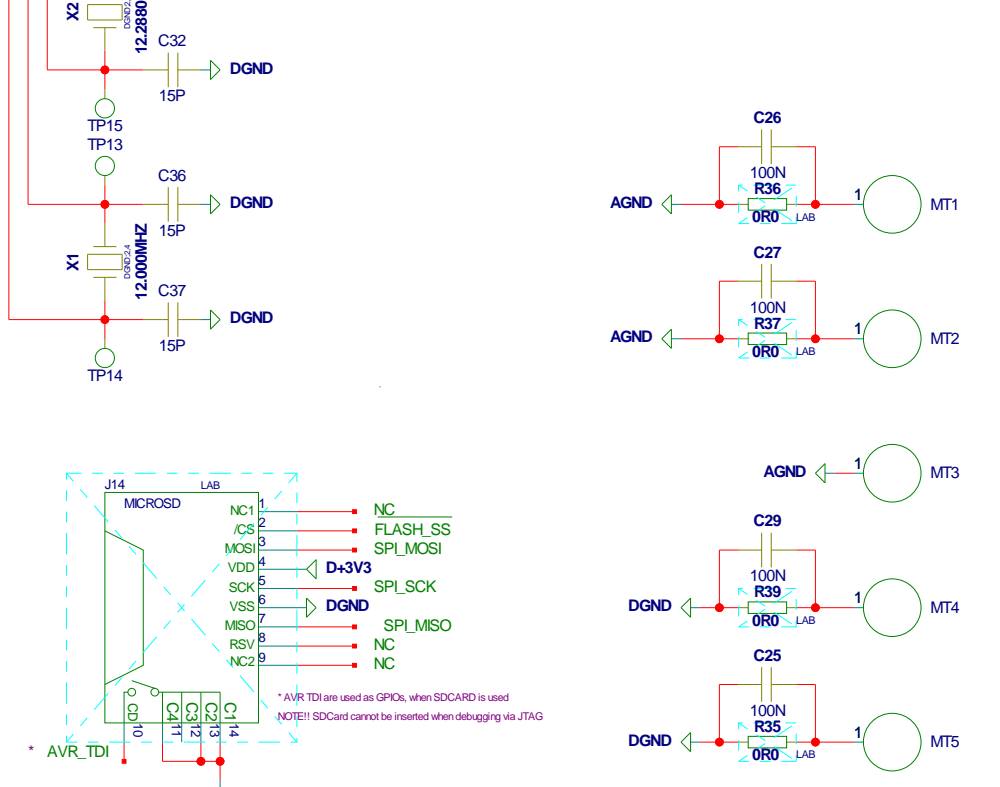
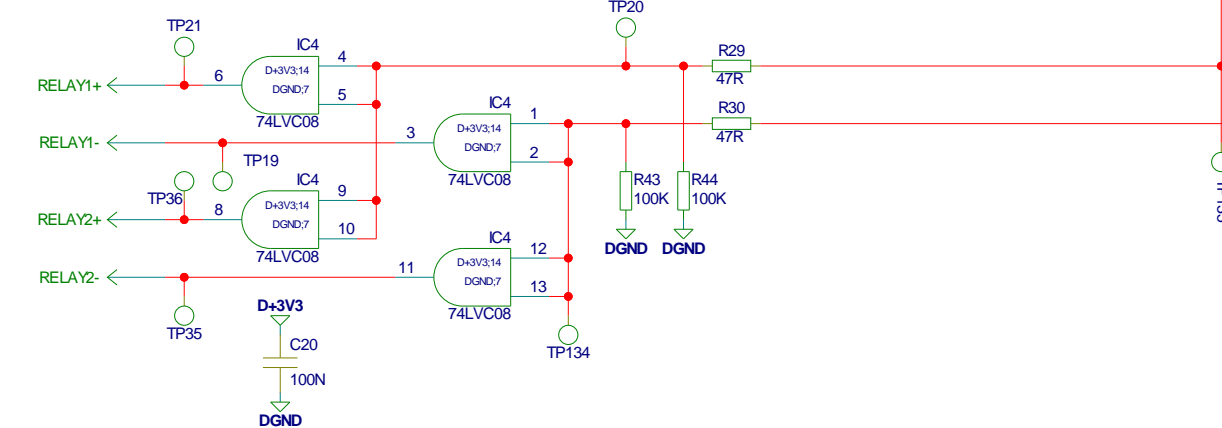
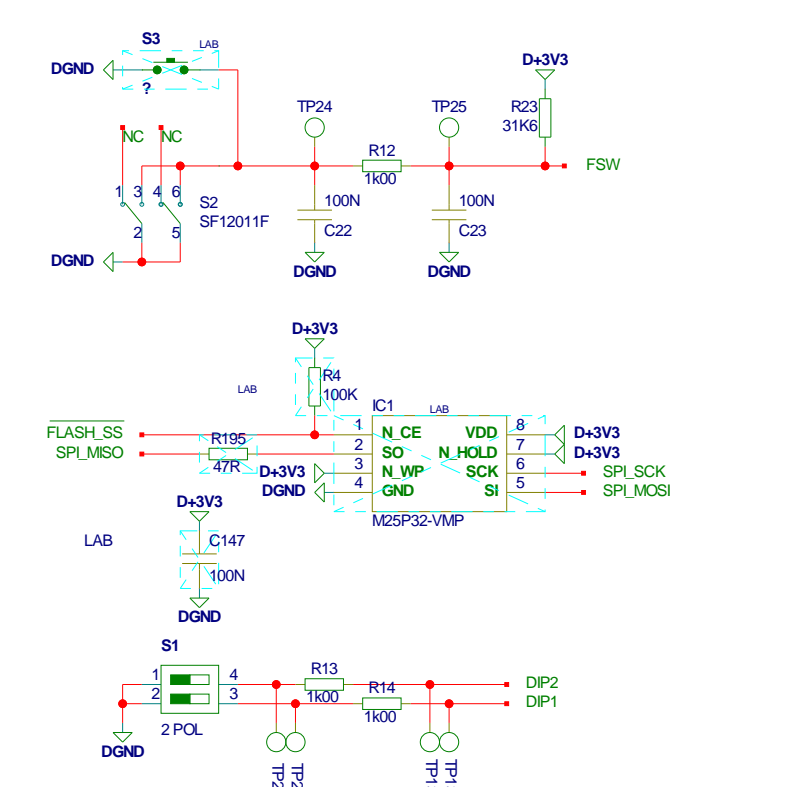
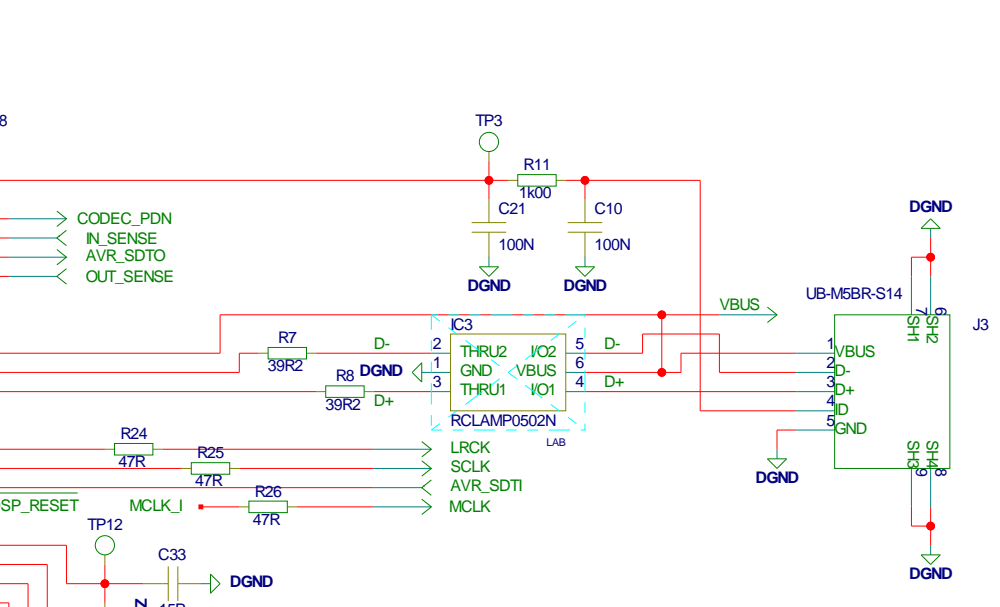
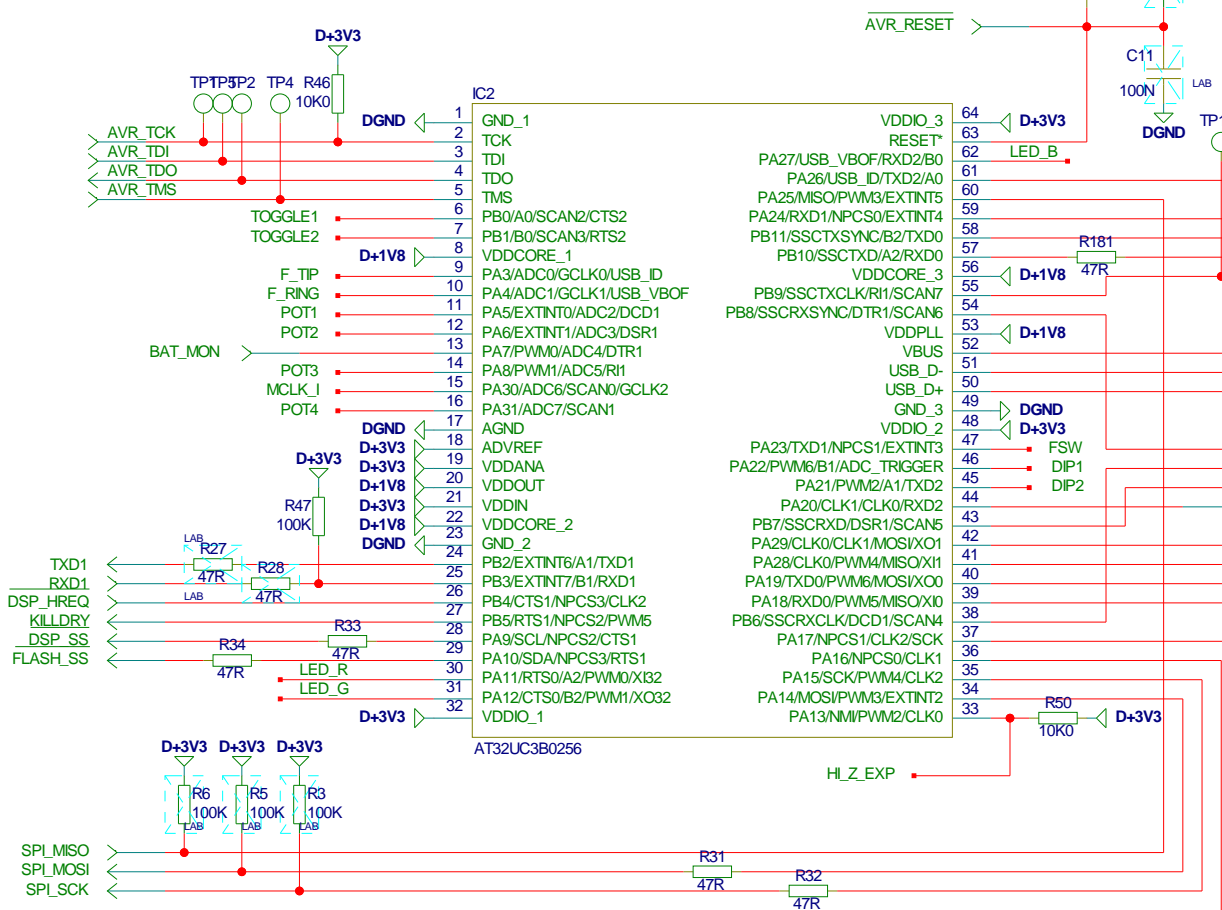
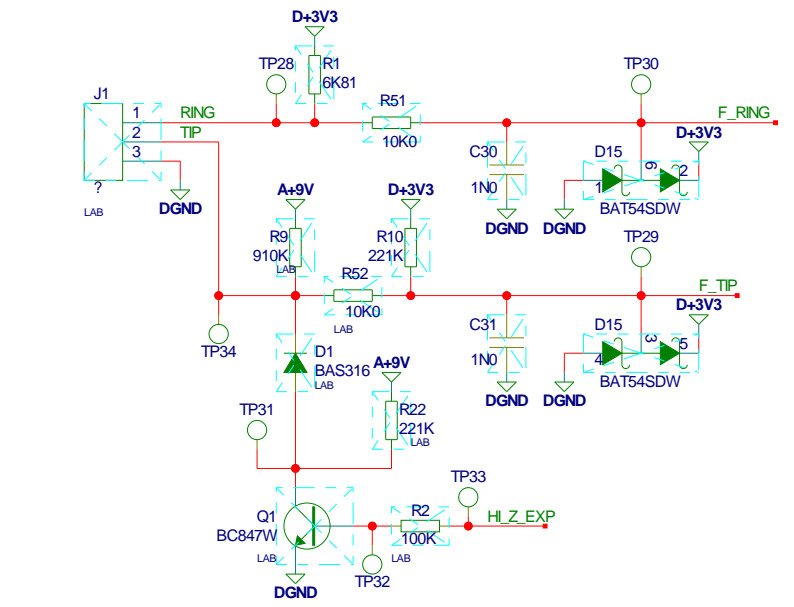
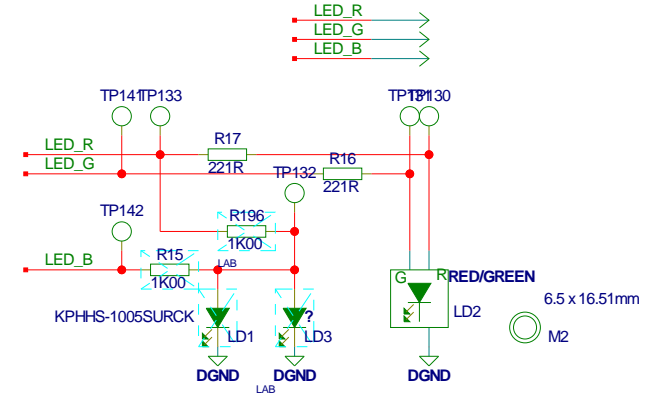
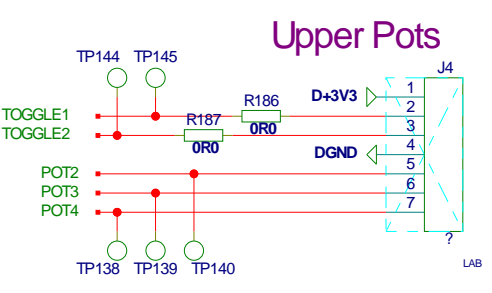
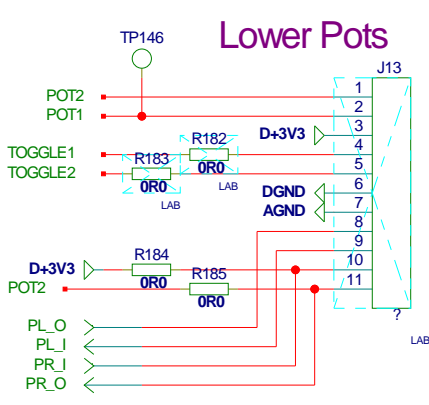


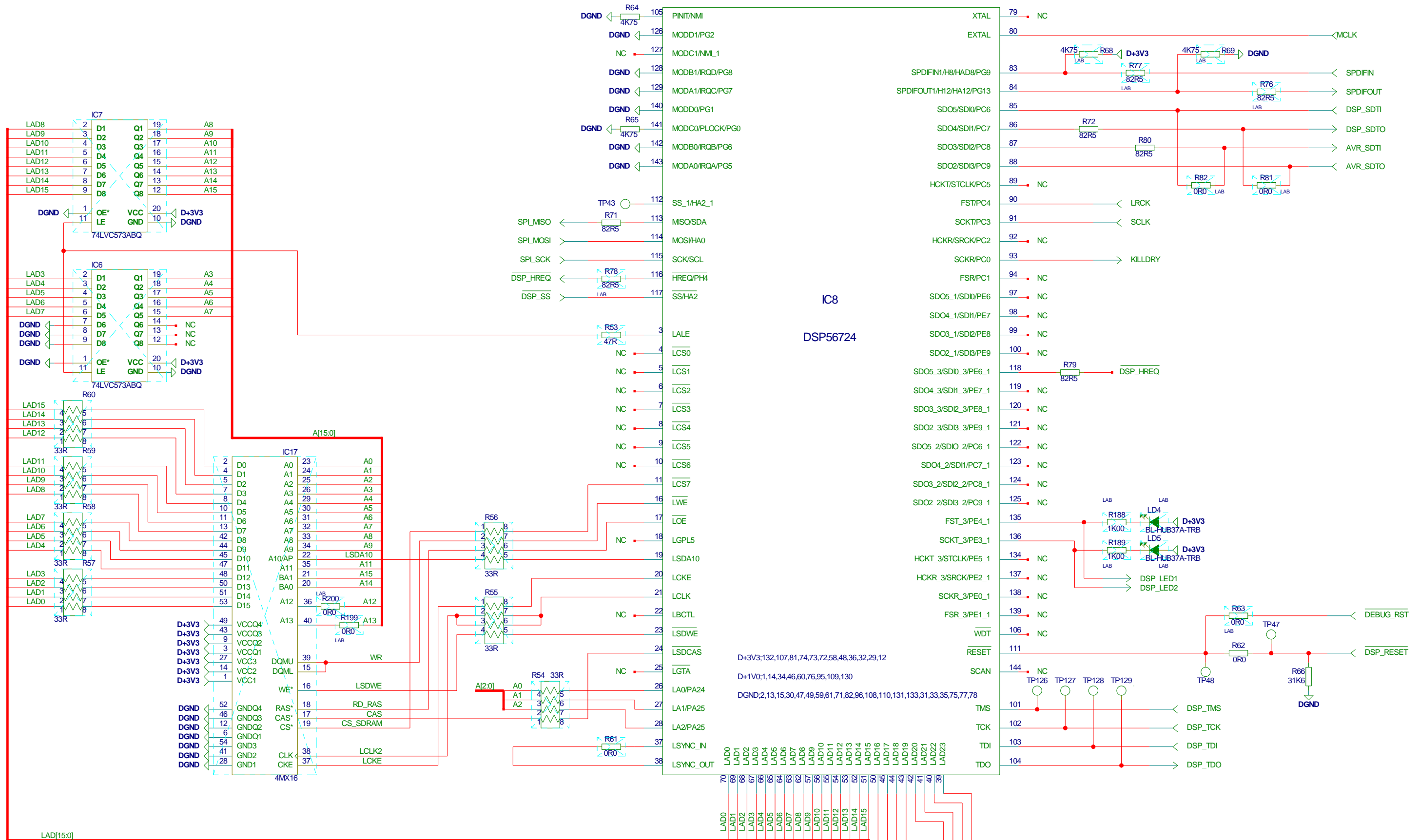
M1
P22381-B

Shaker Vibrato

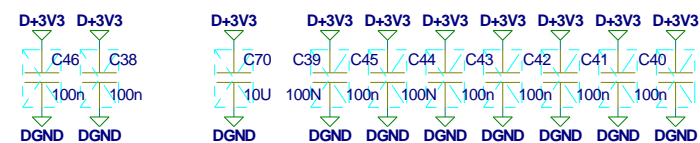
Title ERIK MAINBOARD 724		Module title OVERVIEW		Designer HJE/PRO	
Number P22381	Revision BEE	Previous page XX		Date 7-5-2011_13:13	
Filename P22381-B_E		Page / of 1 / 6		Page / of XX	



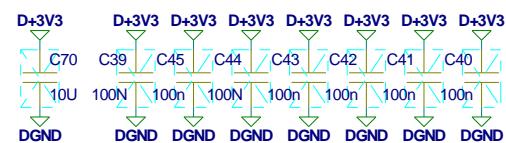
TC Electronic A/S		Designer
ERIK MAINBOARD 724		HJE/PRO
Number	Revision	Module title
P22381	BEE	UC_AND_CONNECTS
Date	Filenam	Previous page
7-5-2011_13:11	UC_AND_CONNECTS_E_1	1
		Page / of
		2 / 6



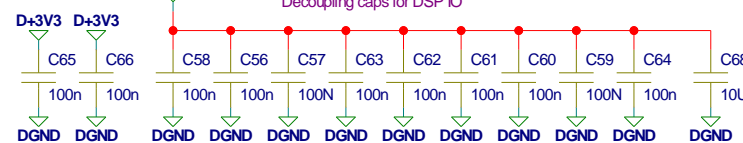
Decoupling caps for Latch



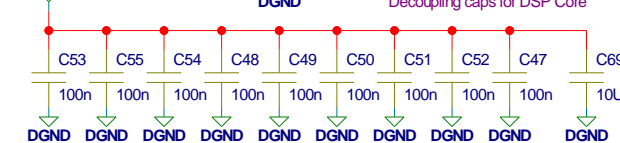
Decoupling caps for SDRAM



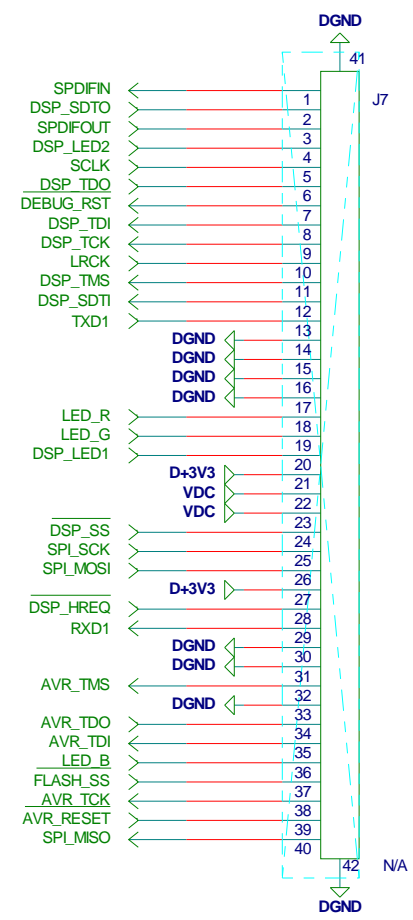
Decoupling caps for DSP IO



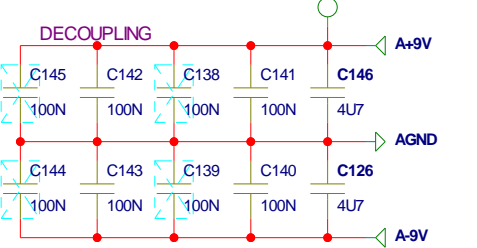
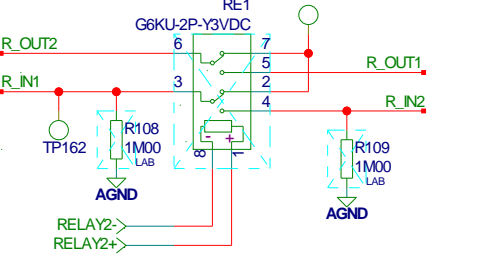
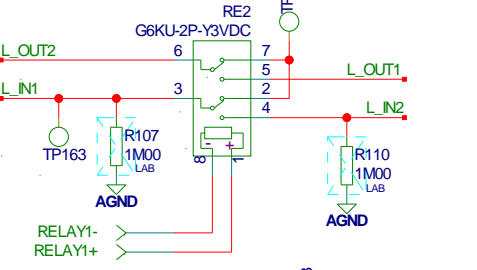
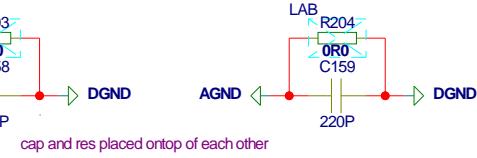
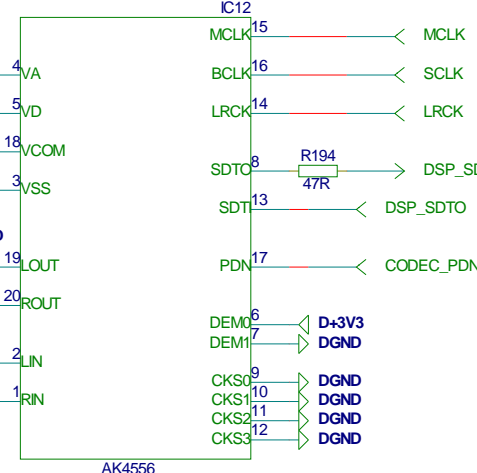
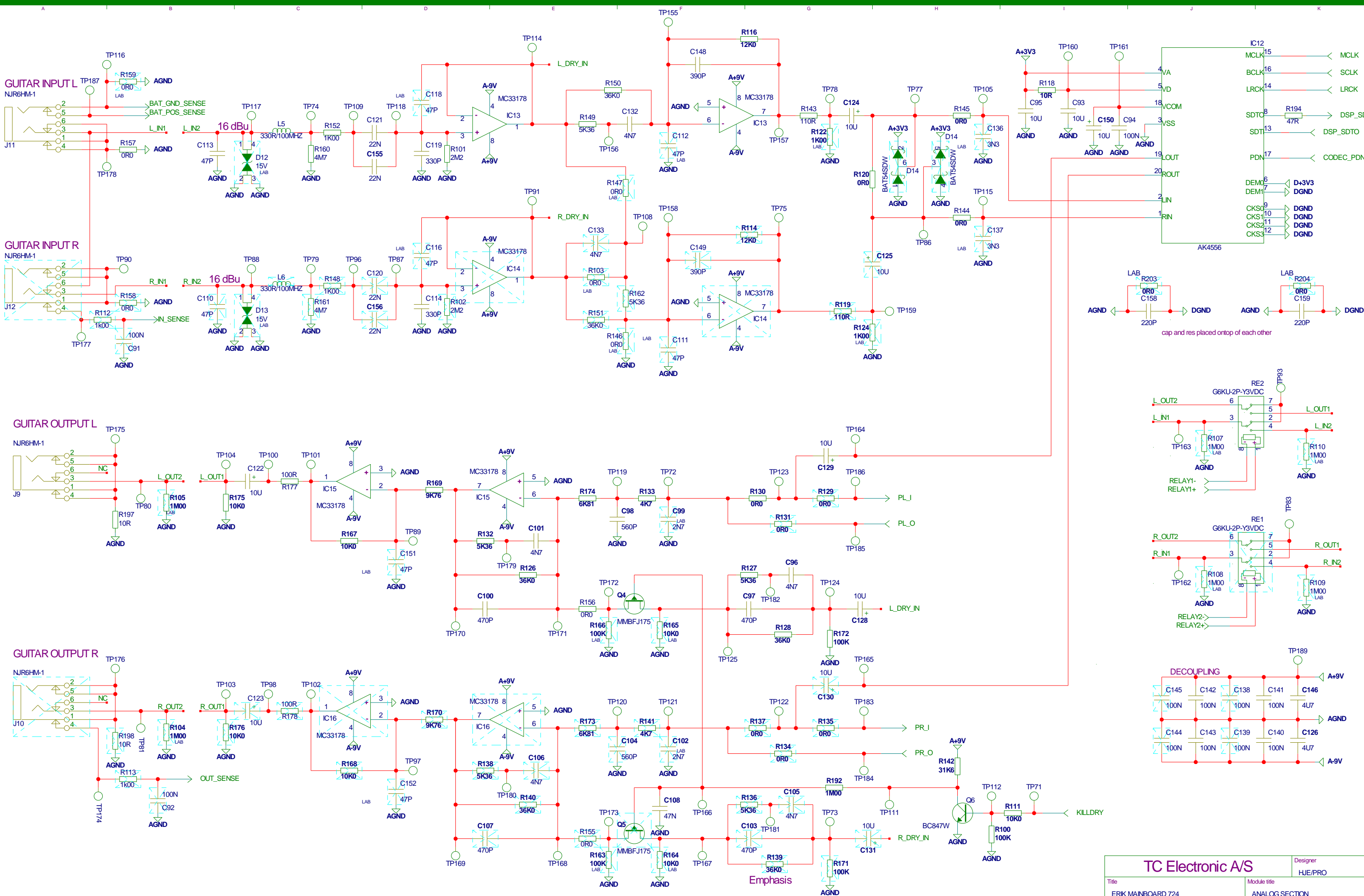
Decoupling caps for DSP Core



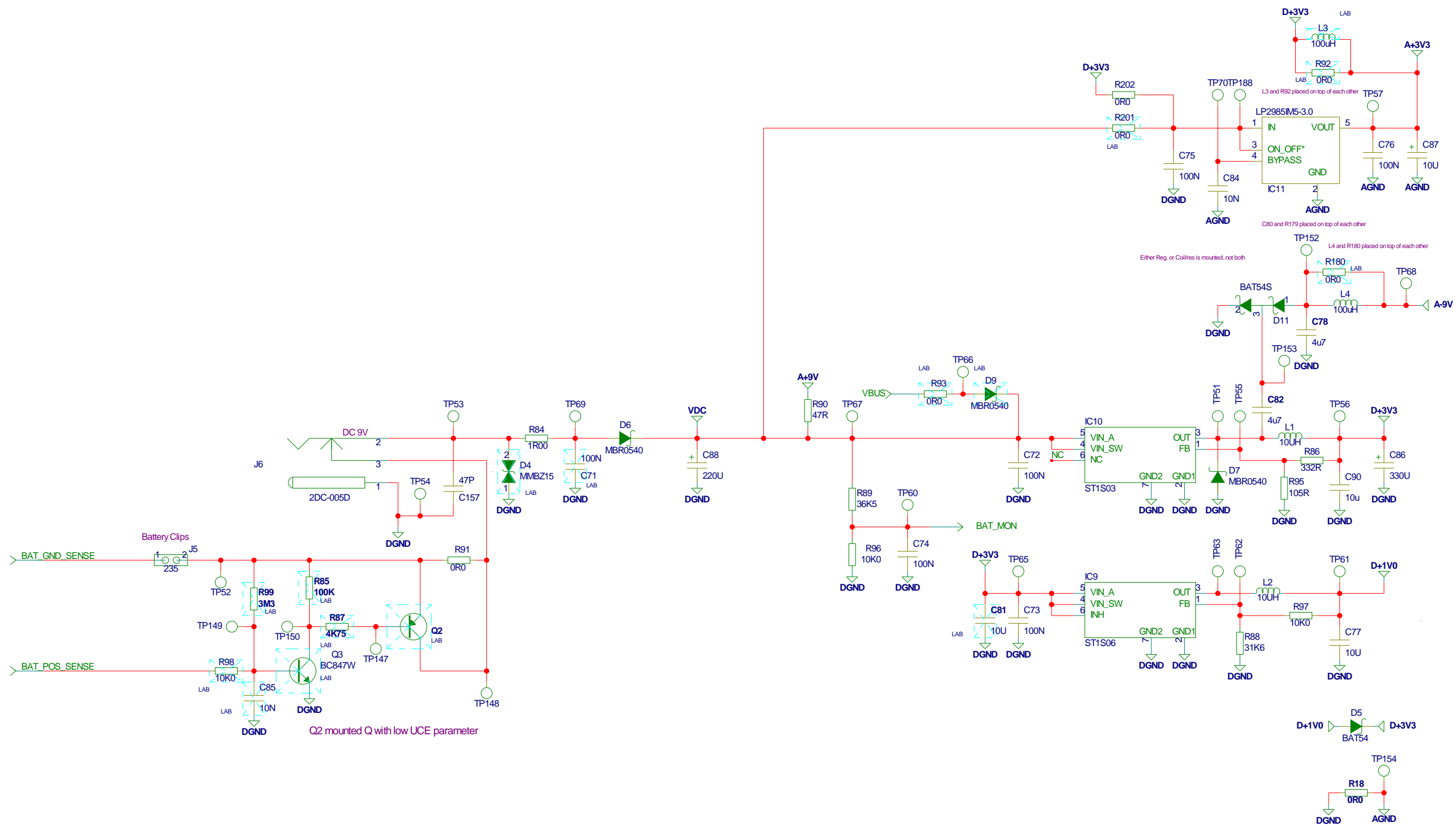
TC Electronic A/S		Designer	HJE/PRO
Title		Module title	
ERIK MAINBOARD 724		DSP SECTION	
Number	Revision	Previous page	
P22381	BEE	2	
Date	Filename	Page / of	
7-5-2011_13:11	DSP724_E_1	3 / 6	



Title ERIK MAINBOARD 724		Module title DEBUG CONNECTOR	
Number P22381	Revision BEE	Previous page 3	
Date 7-5-2011 13:12	Filename DEBUGINTERFACE_E_1	Page / of 4 / 6	



TC Electronic A/S		Designer	HJE/PRO
Title		Module title	
ERK MAINBOARD 724		ANALOG SECTION	
Number	Revision	Previous page	
P22381	BEE	4	
Date	Filenam	Page / of	
7-5-2011_13:12	ANALOG_E_1	5 / 6	



Q2 mounted Q with low UCE parameter

Either Reg. or Coilwires is mounted, not both

L3 and R92 placed on top of each other

C80 and R179 placed on top of each other

L4 and R180 placed on top of each other

TC Electronic A/S		Designer HJE/PRO
Title ERIK MAINBOARD 724		Module title POWER SUPPLY
Number P22381	Revision BEE	Previous page 5
Date 7-5-2011_13:12	Filename POWER_E_1	Page / of 6 / 6