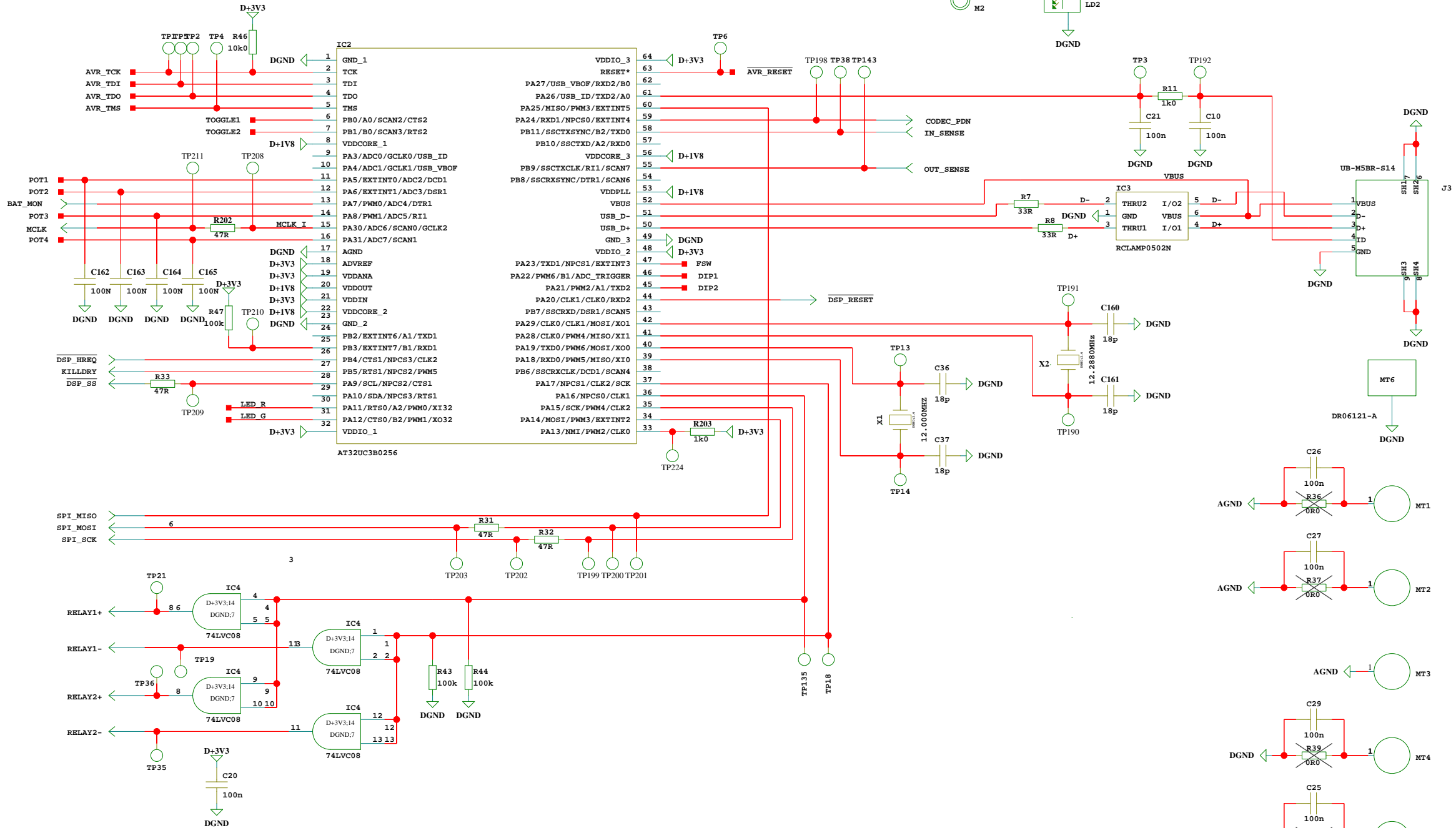
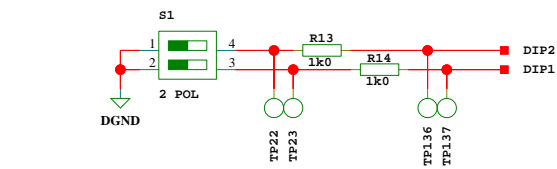
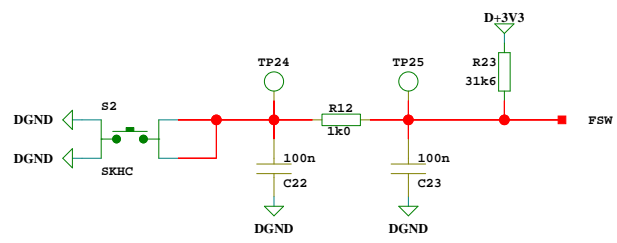
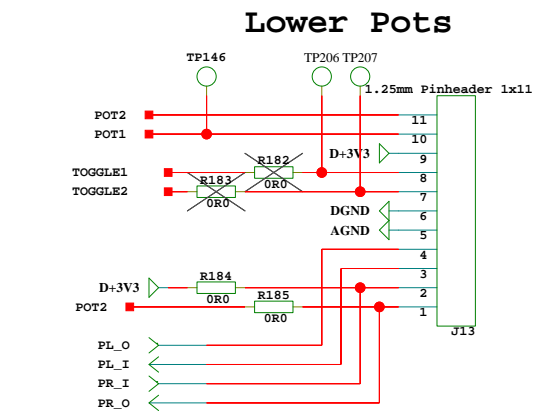
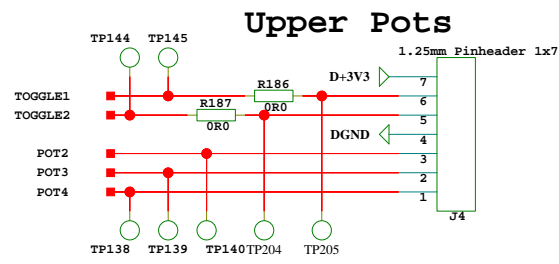
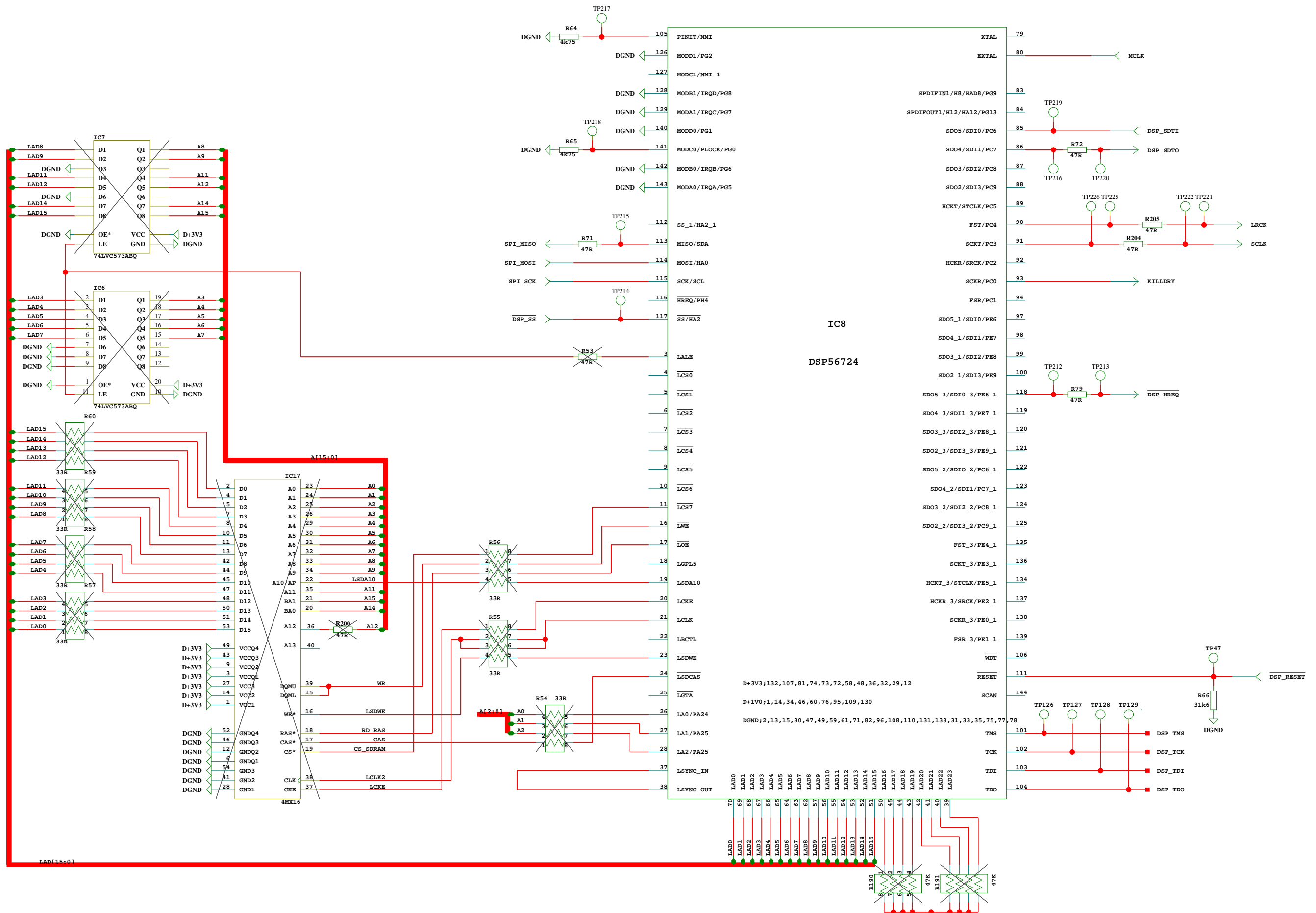


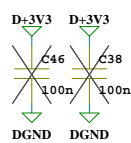
M1  
P22381-D  
PCB

		Designer(s) HJE/PRO	
Title SHAKER (1096-ERIK)		Module title MODULE TITLE	
Number P22381	Revision D	Variant E	Version A
Date 13/09/2013:15:51	Filename P22381-D	Board type MAINBOARD	
		Page / of 1 / 5	

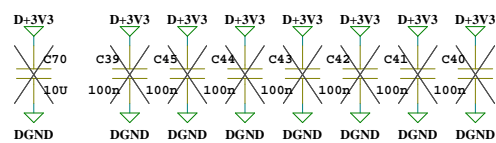




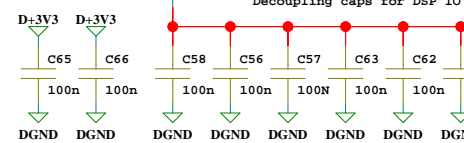
Decoupling caps for Latch



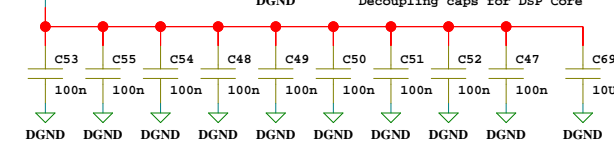
Decoupling caps for SDRAM



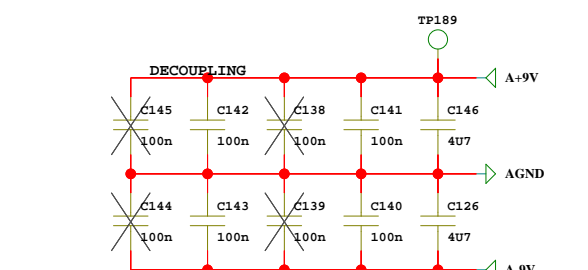
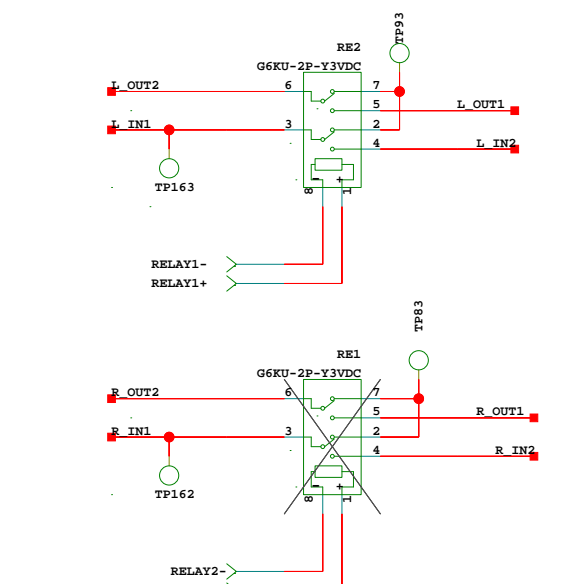
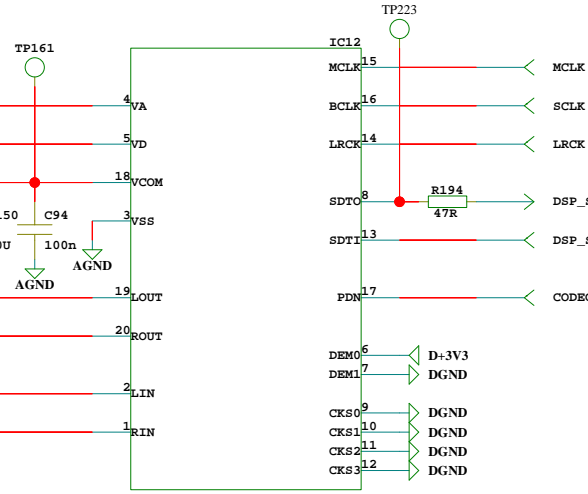
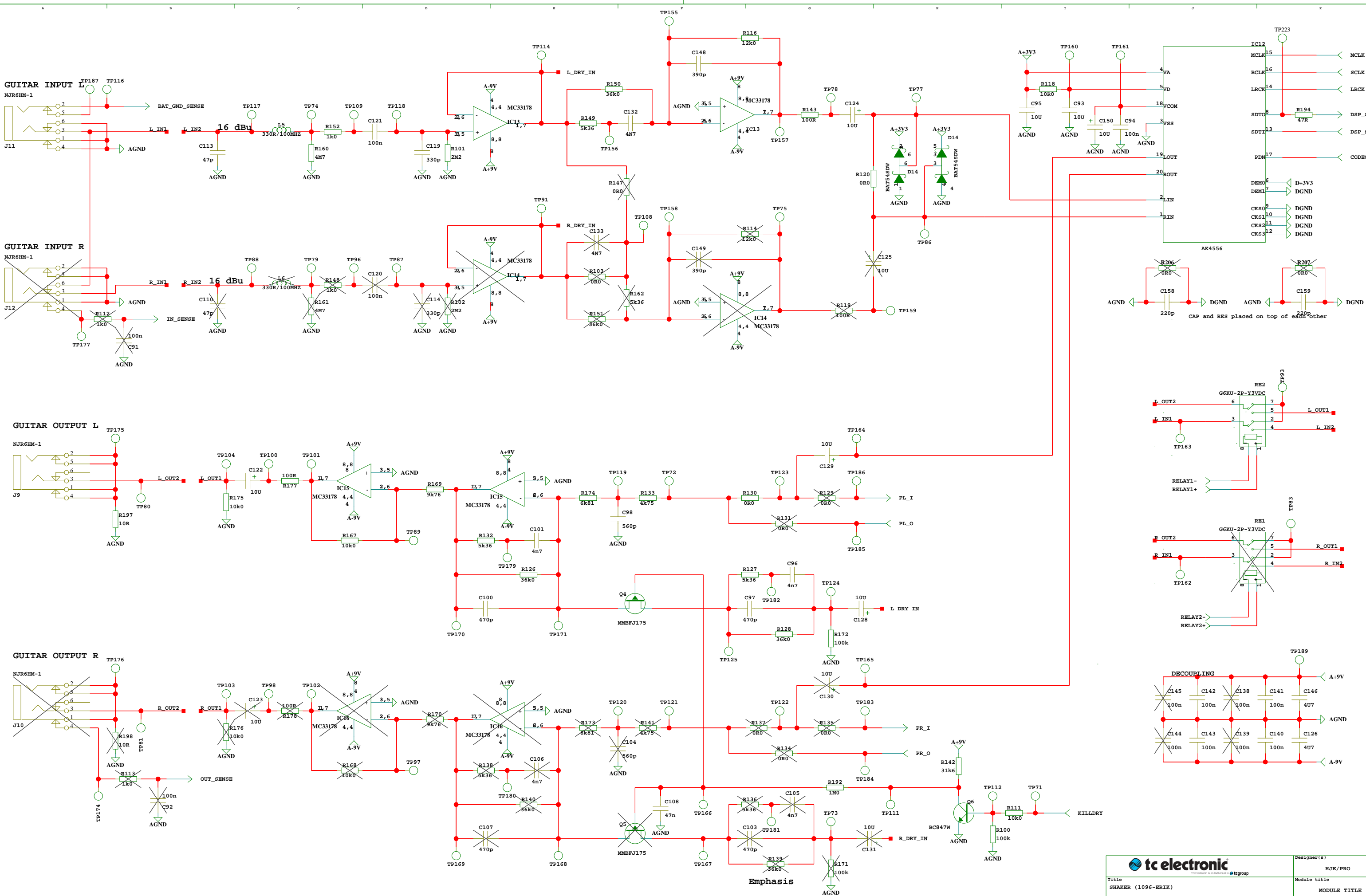
Decoupling caps for DSP IO



Decoupling caps for DSP Core



<b>tc electronic</b>				Designer(s)
Title SHAKER (1096-ERIK)				HJE/PRO
Number P22381				Module title MODULE TITLE
Date 13/09/2013:15:51	Revision D	Variant E	Version A	Board type MAINBOARD
Filename dsp724				Page / of 3 / 5



Emphasis

				Designer(s)	HJE/PRO
Title				Module title	
SHAKER (1096-ERIK)				MODULE TITLE	
Number	Revision	Variant	Version	Board type	
F22381	D	E	A	MAINBOARD	
Date	Filename				Page / of
13/09/2013:15:51	analog				4 / 5

