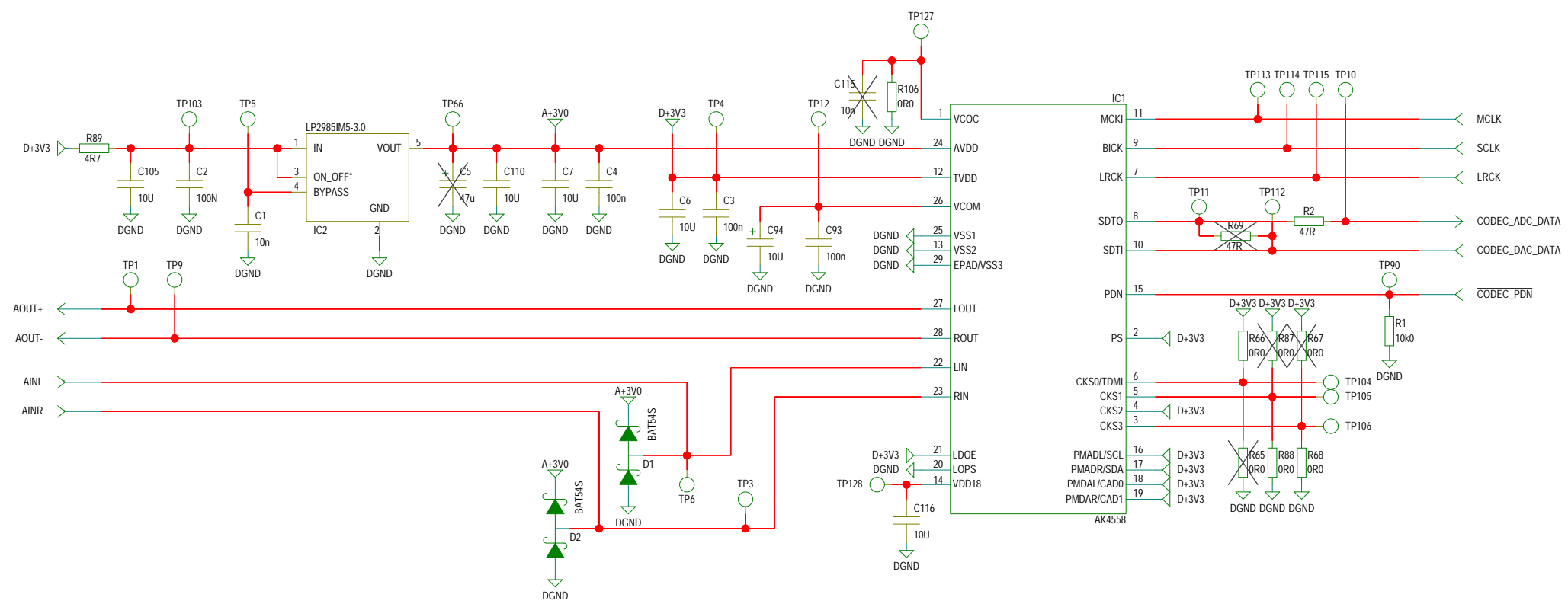
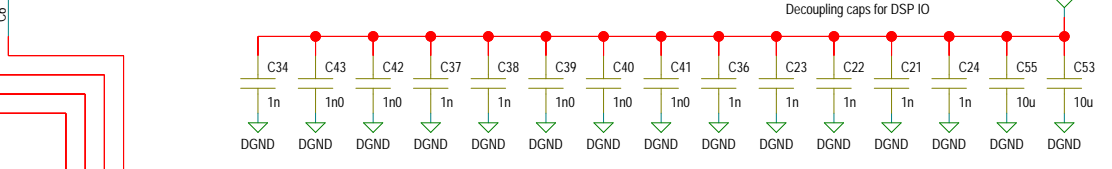
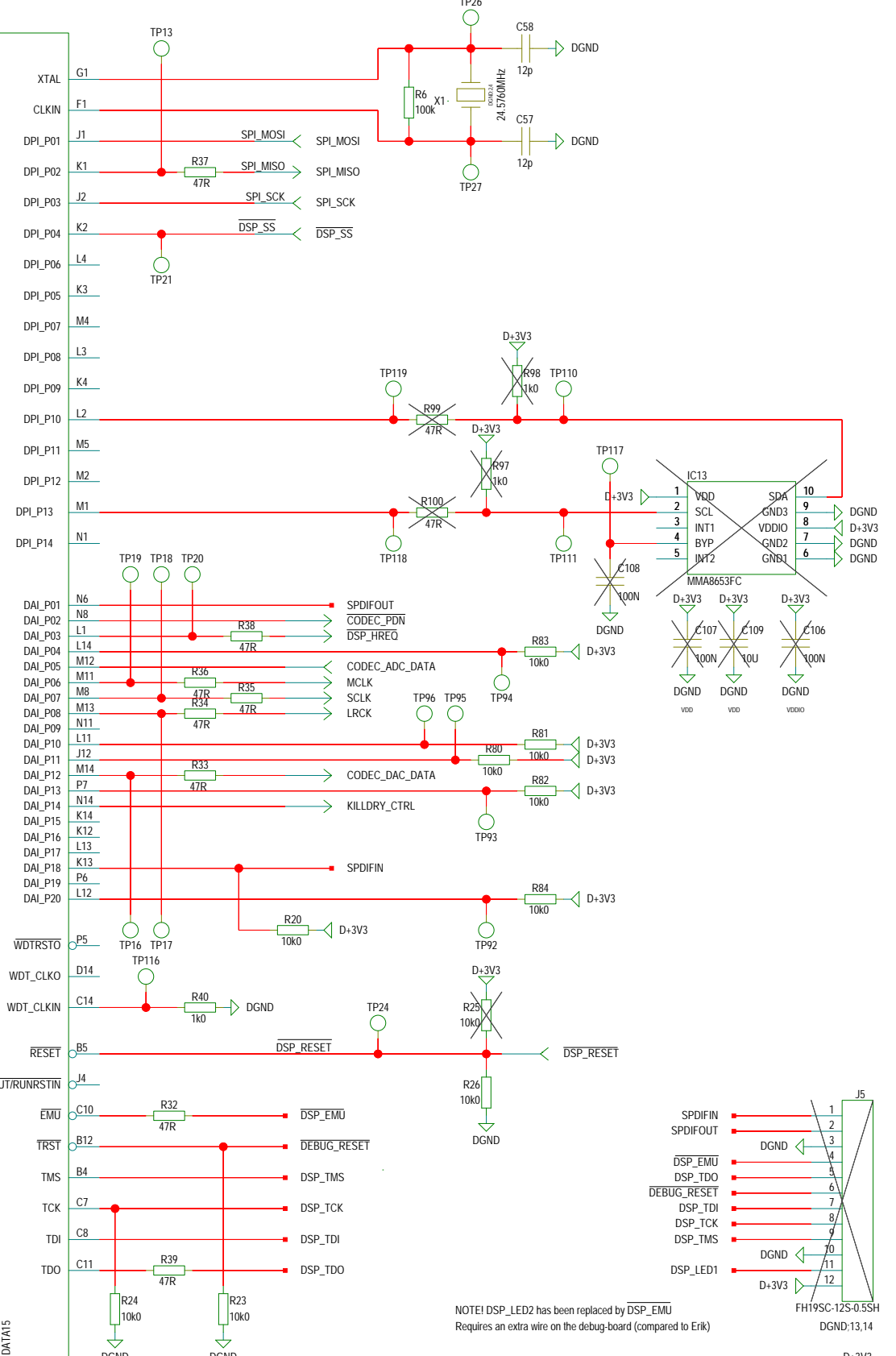
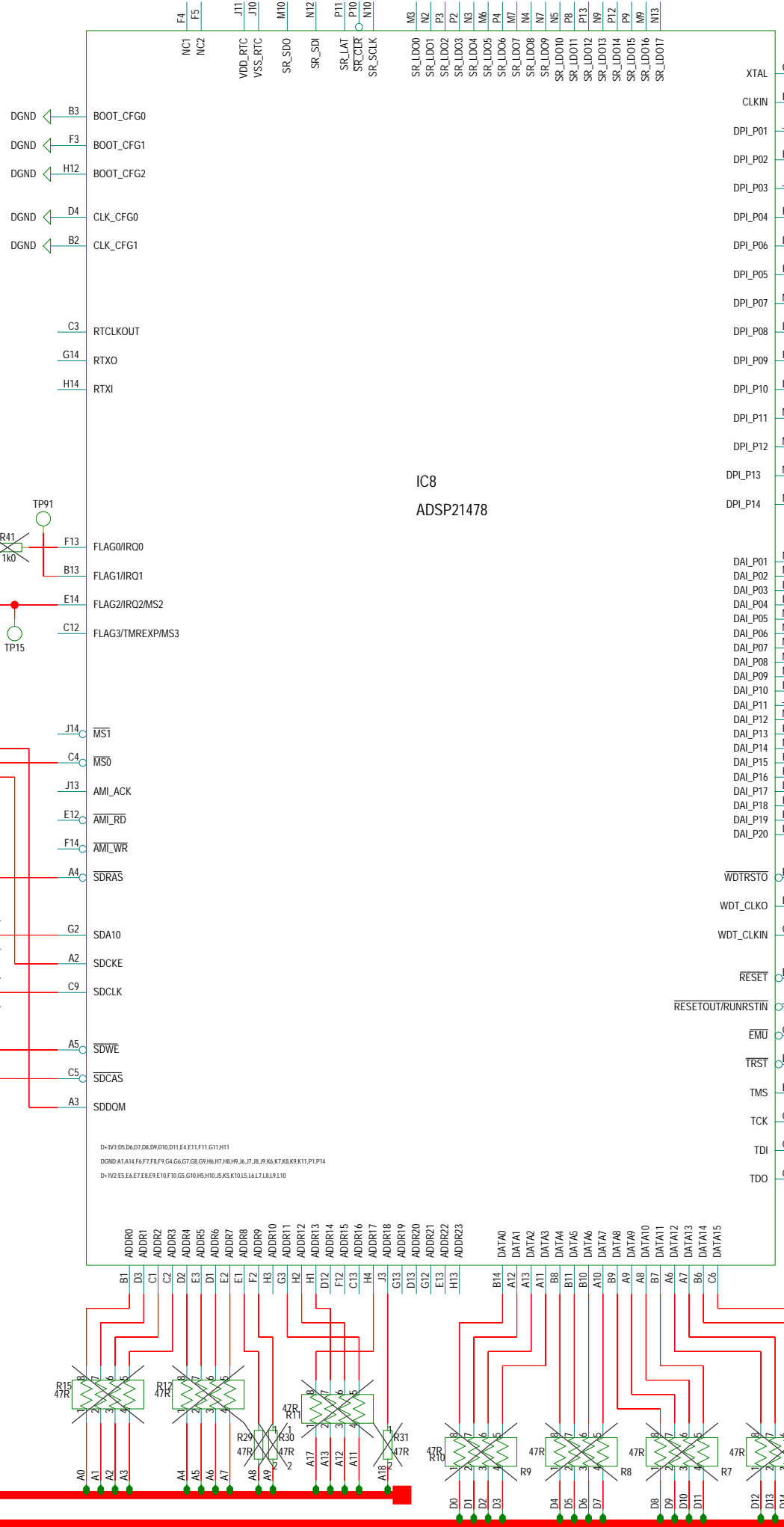
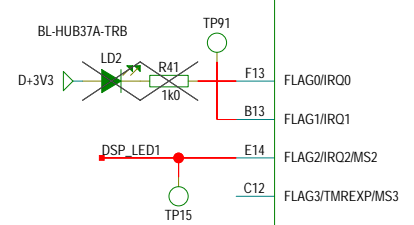
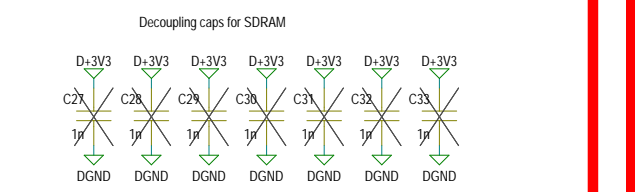
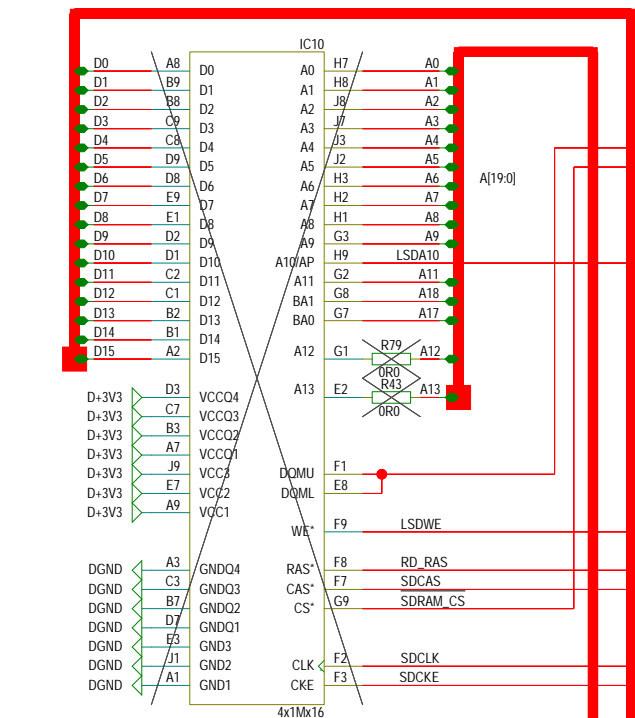
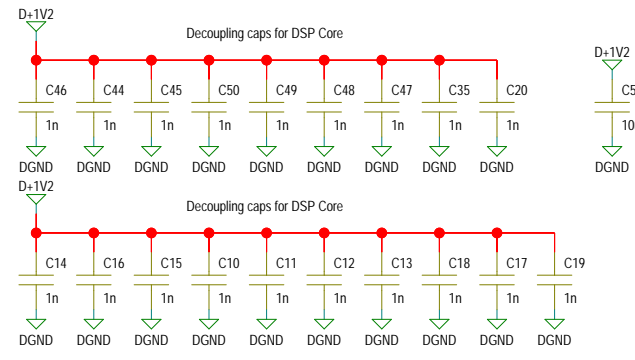


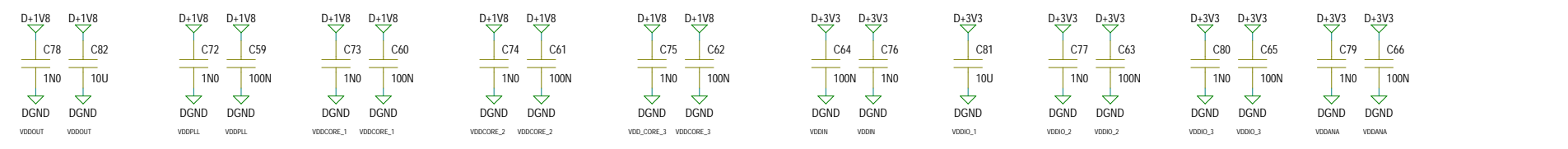
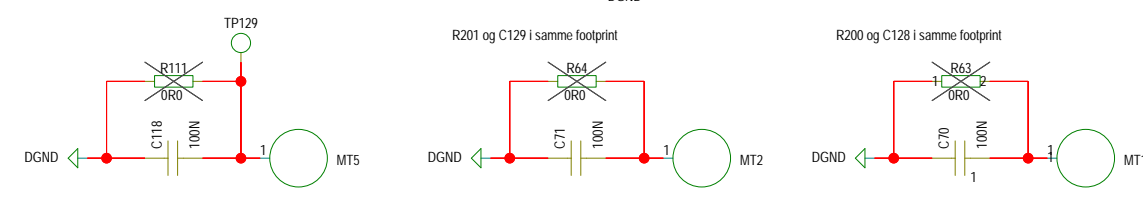
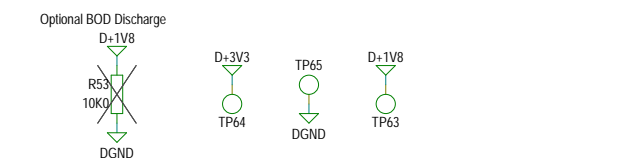
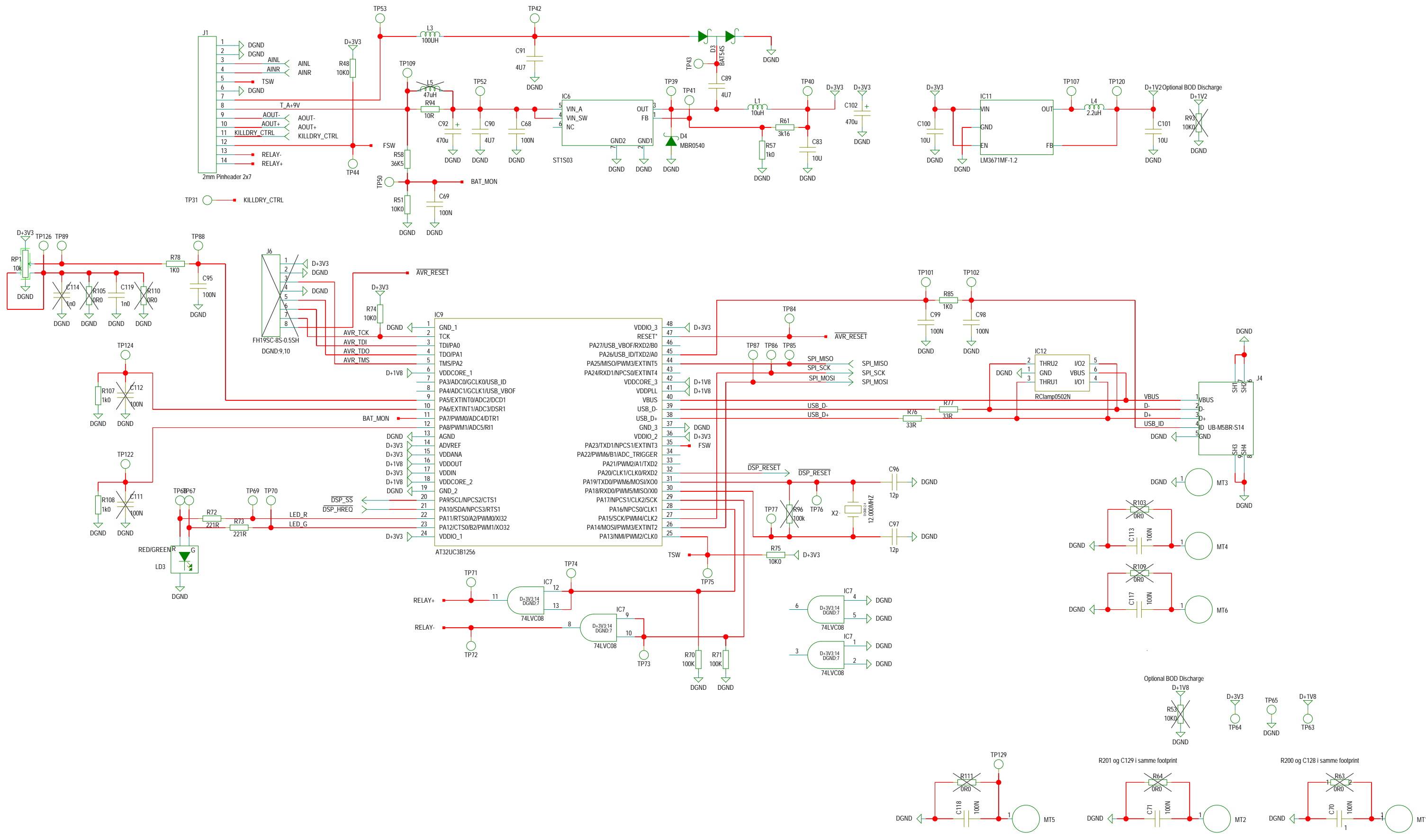
M1
 P22596-A
 pcb

				Designer(s)	HJE/PRO
Title 1382-UISE UI				Module title MODULE TITLE	
Number P22596	Revision A	Variant A	Version B	Board type UI BOARD	
Date 16/09/2015:11:47	Filename			Page / of 1 / 4	





tc electronic		Designer(s)		HJE/PRO					
Title	1382-VISE UI	Module title		MODULE TITLE					
Number	P22596	Revision	A	Variant	A	Version	B	Board type	UI BOARD
Date	16/09/2015:11:47	Filename	dsp		Page / of		3 / 4		



		Designer(s) HJE/PRO	
Title 1382-VISE UI		Module title MODULE TITLE	
Number P22596	Revision A	Variant A	Version B
Date 16/09/2015:11:47		Board type UI BOARD	
Filename uc_and_connects		Page / of 2 / 4	