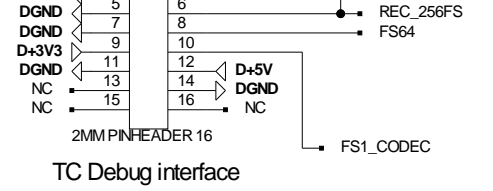
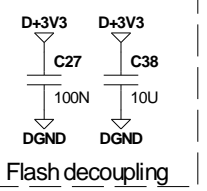
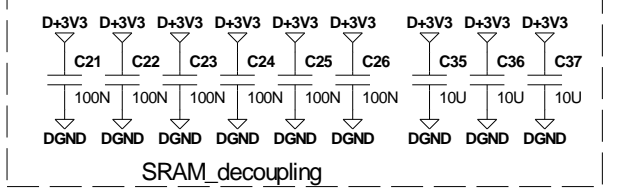
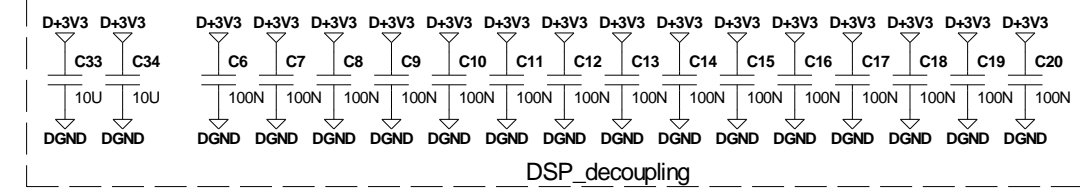
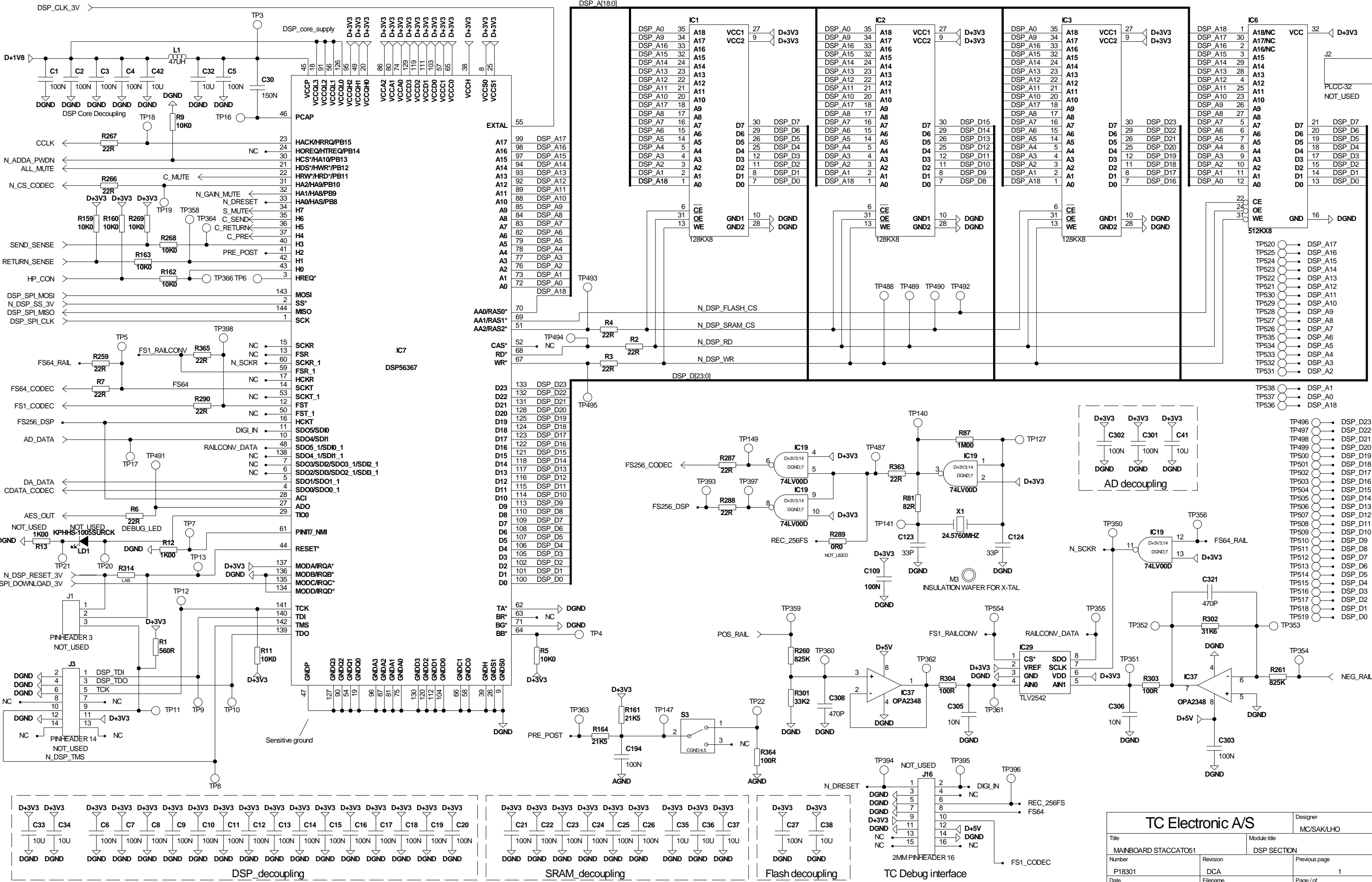
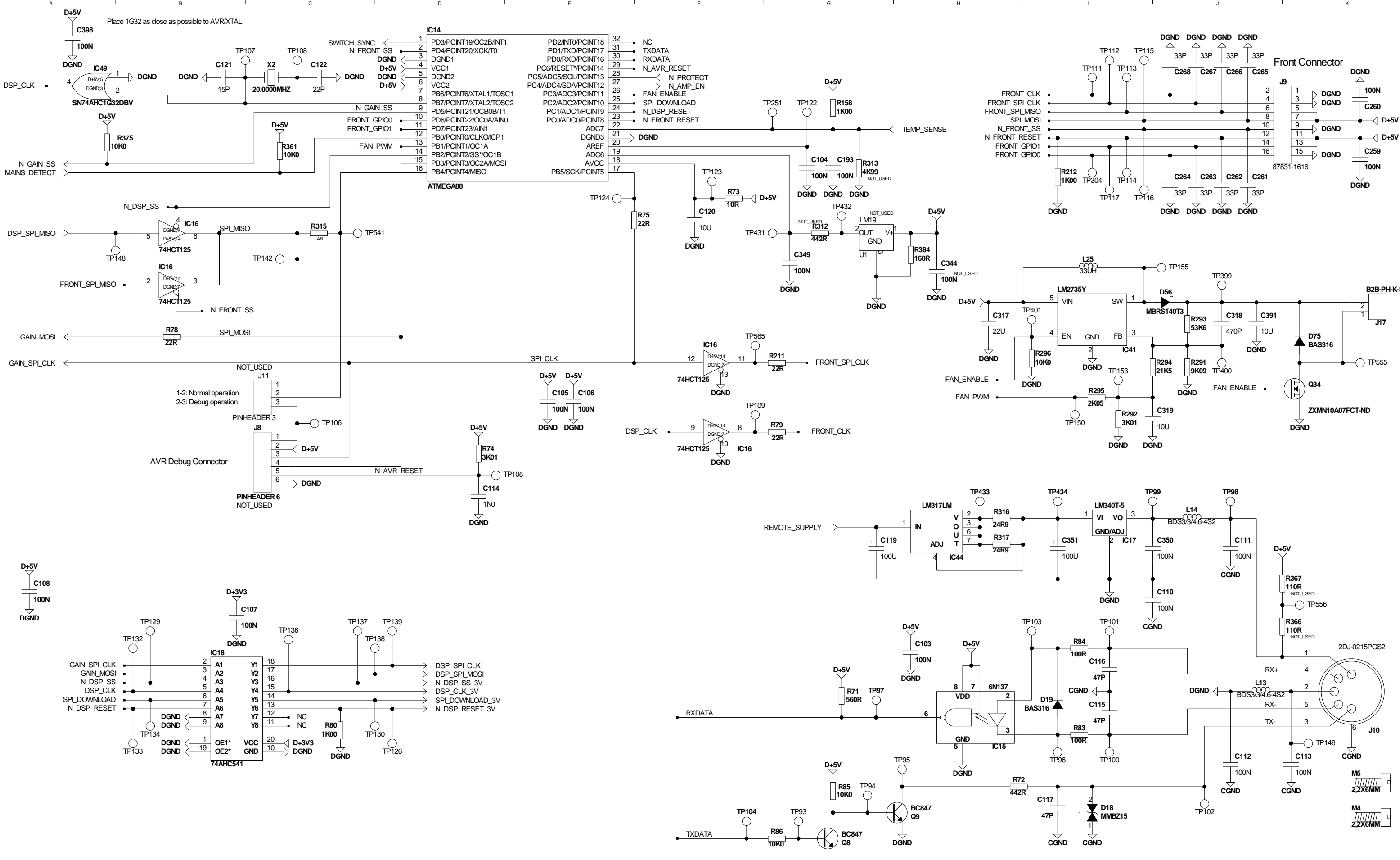


M1
P18301-D

TC Electronic A/S		Designer MC/SAKLHO
Title MAINBOARD STACCATO51		Module title TOP SHEET
Number P18301	Revision DCA	Previous page XX
Date 7-10-2009 9:53	Filename P18301_DC	Page / of 1 / 8



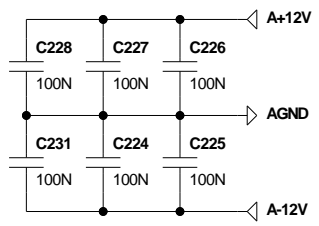
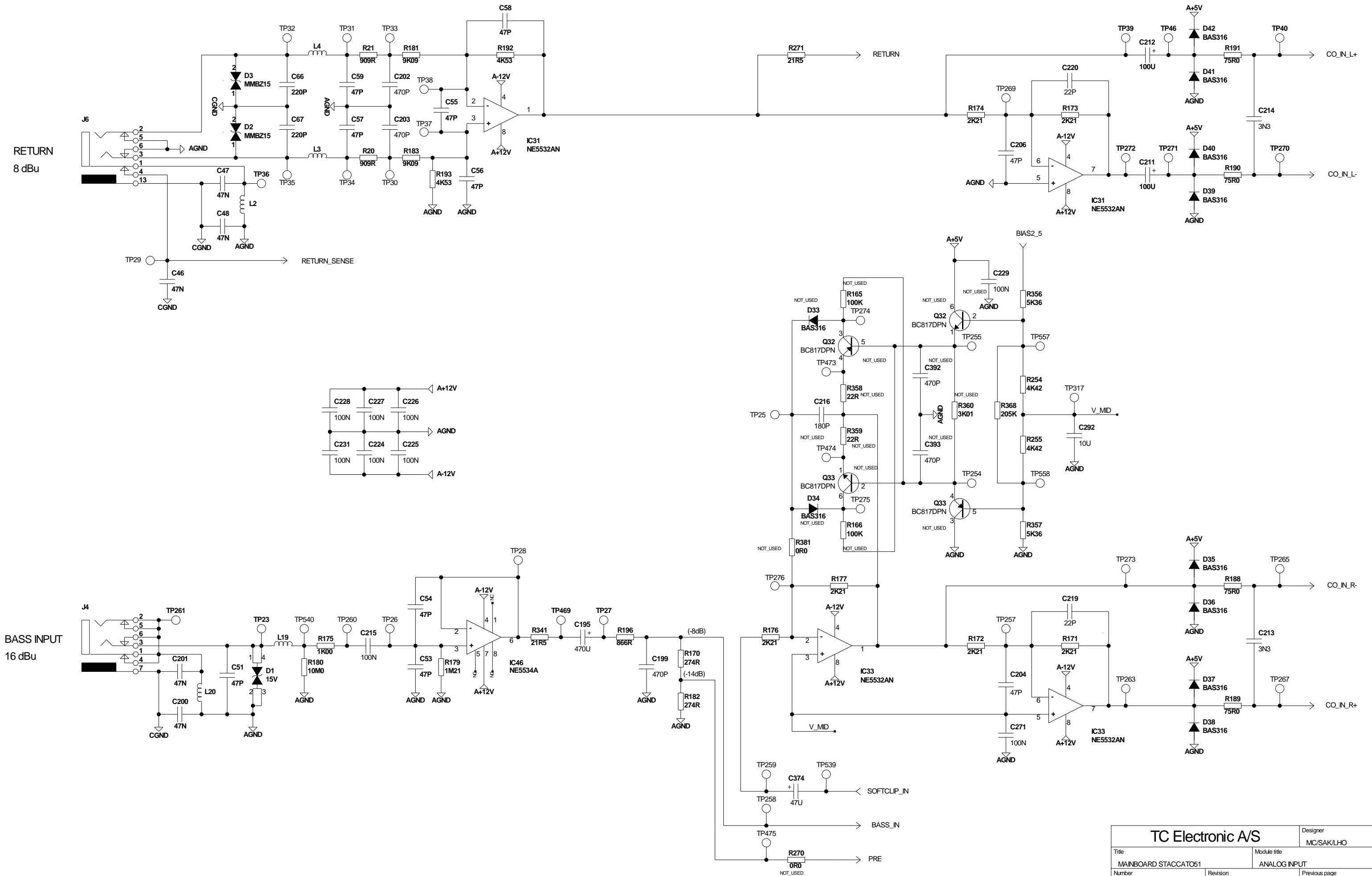
TC Electronic A/S		Designer
MC/SAK/LHO		
Title	MAINBOARD STACCATO51	Module title
Number	P18301	Previous page
Date	7-10-2009_9:57	Page / of
Revision	DCA	1
Filename	DSP	
DSP SECTION		



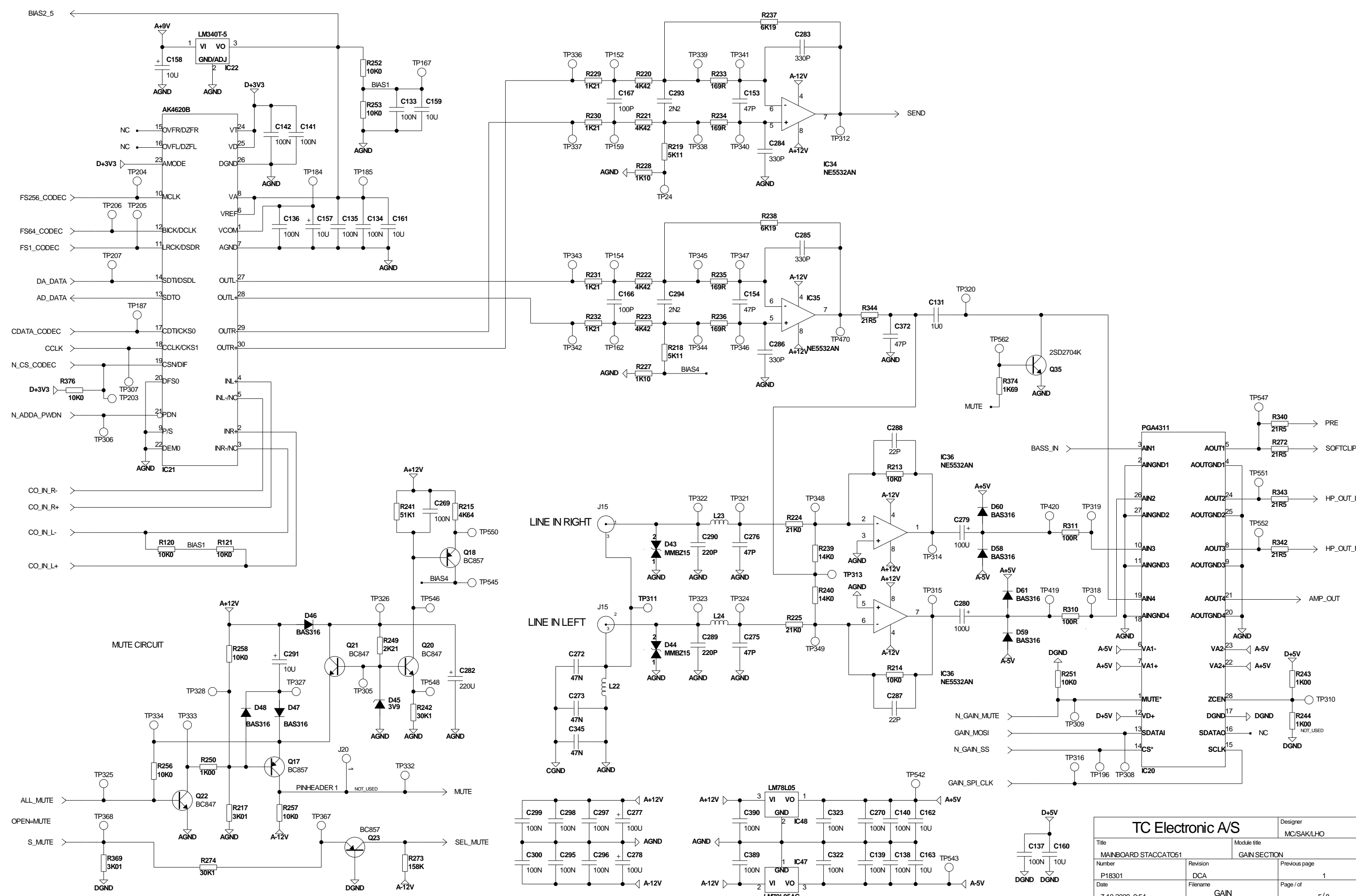
IC14

32	NC
31	TXDATA
30	RXDATA
29	N_AVR_RESET
28	N_PROTECT
27	N_AMP_EN
26	FAN_ENABLE
25	SPL_DOWNLOAD
24	N_DSP_RESET
23	N_FRONT_RESET
22	DGND3
21	DGND
20	AREF
19	ADC6
18	AVCC
17	PB5/SCK/PCINT5
16	PB4/PCINT4/MISO
15	PB3/PCINT3/OC2A/MOSI
14	PB2/PCINT2/SS*/OC1B
13	PB1/PCINT1/OC1A
12	PB0/PCINT0/CLKO/ICP1
11	PD7/PCINT23/AIN1
10	PD6/PCINT22/OC0A/AIN0
9	PD5/PCINT21/OC0B/T1
8	PD4/PCINT20/XCK/T0
7	VCC2
6	DGND2
5	DGND1
4	VCC1
3	DGND1
2	PD3/PCINT19/OC2B/INT1

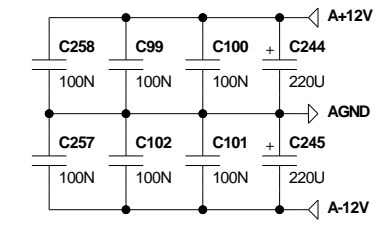
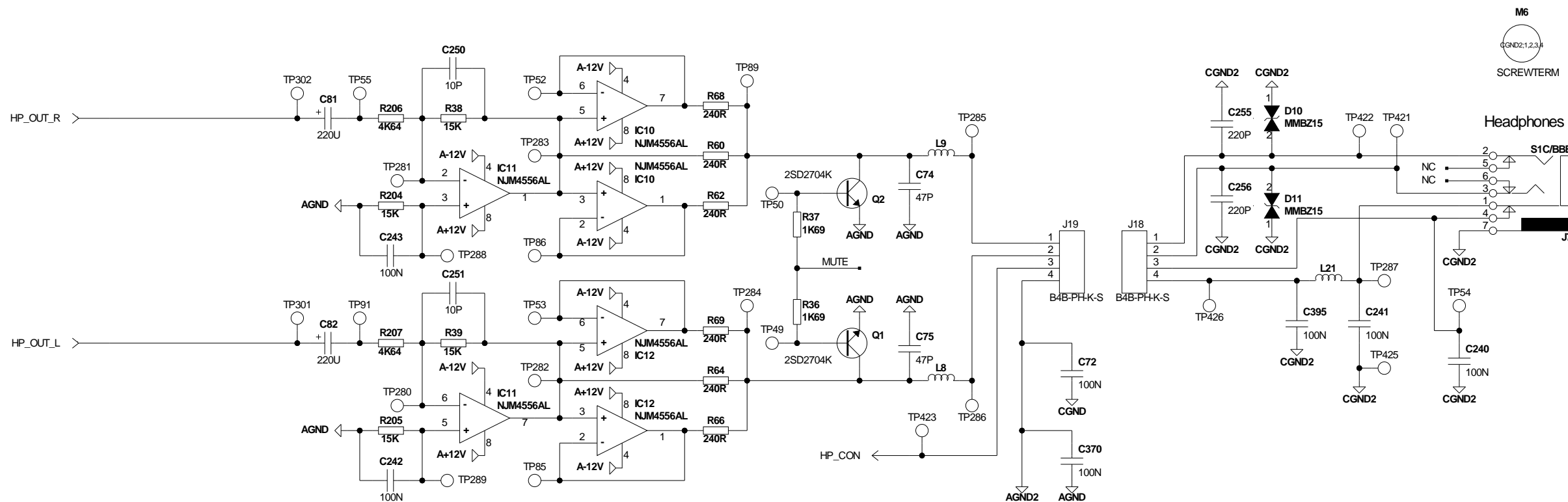
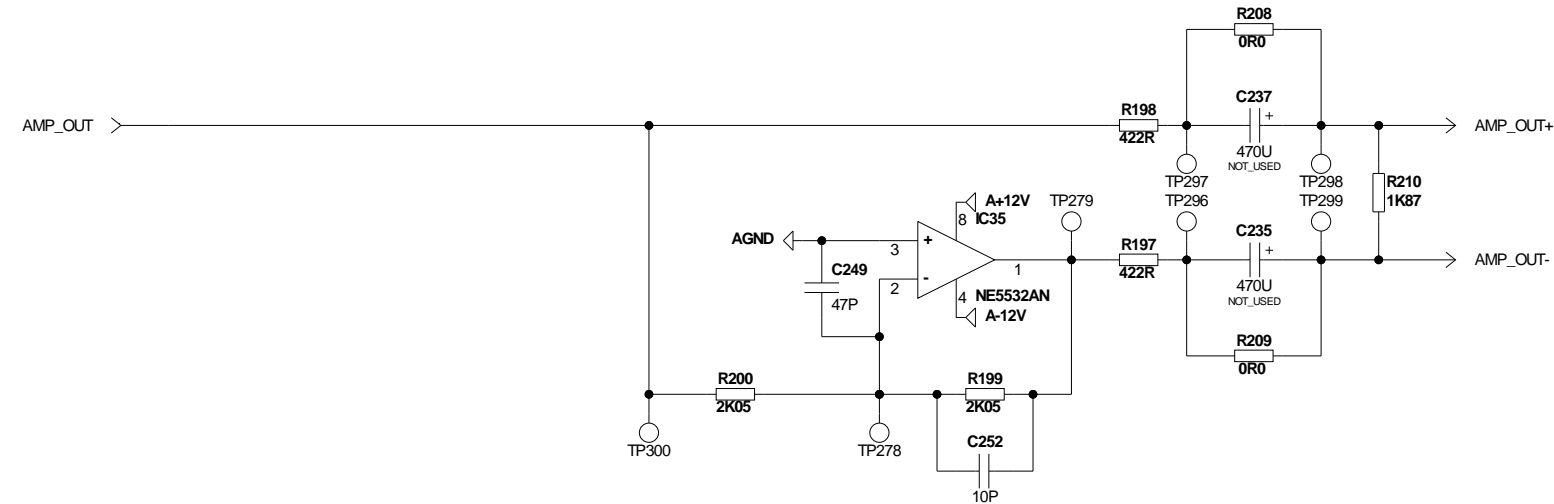
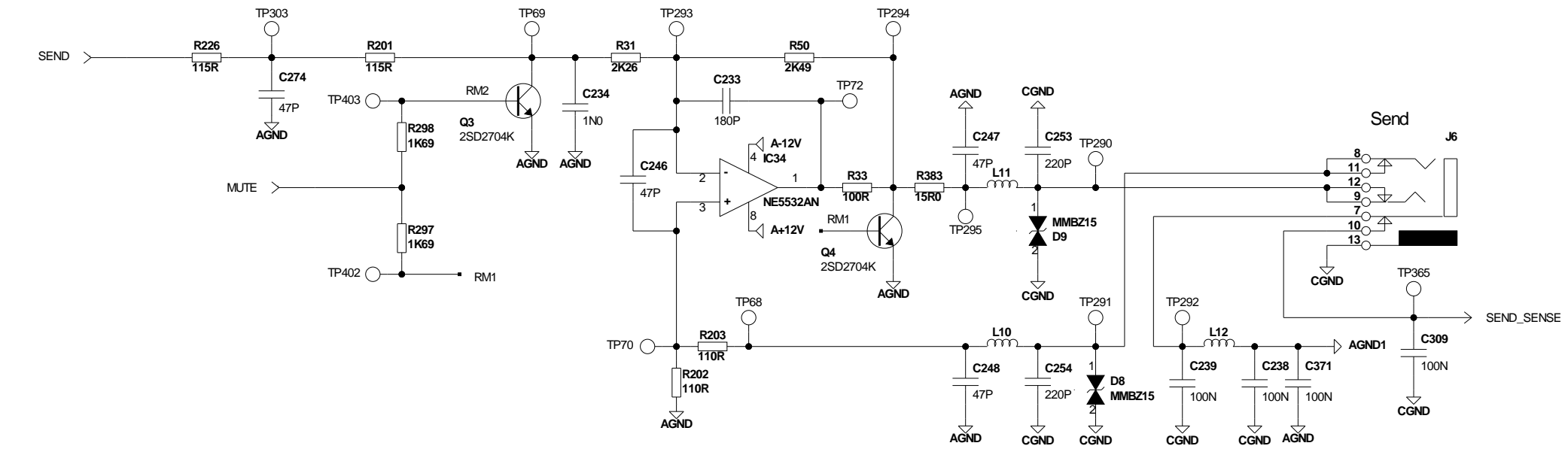
TC Electronic A/S		Designer
Title		MC/SAK/LHO
Module title		CONTROL SECTION
Number	Revision	Previous page
P18301	DCA	1
Date	Filenam	Page / of
7-10-2009_9:55	CONTROL	3 / 8



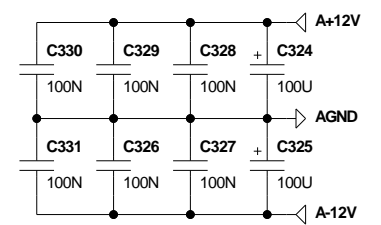
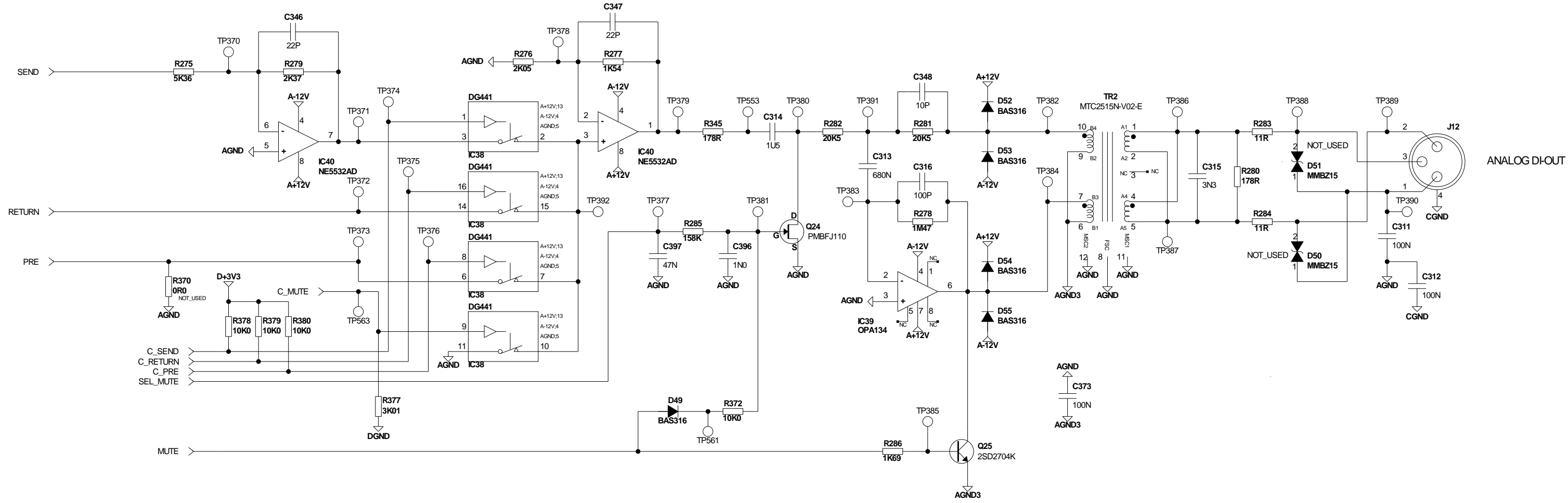
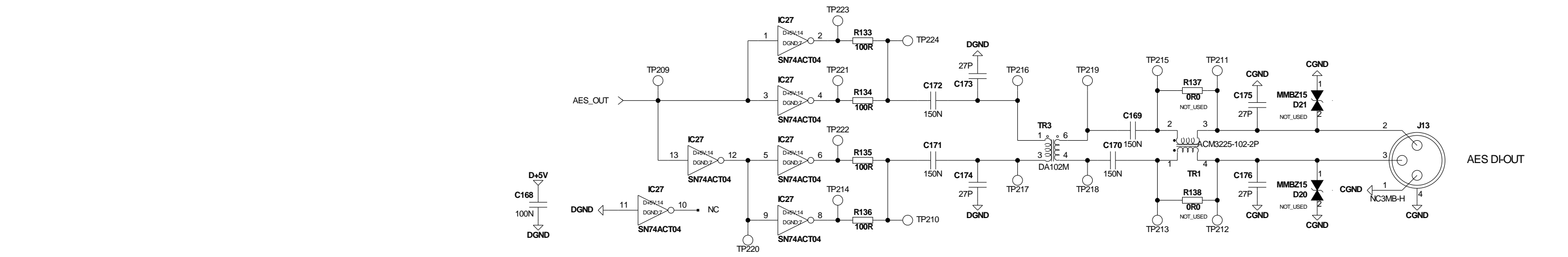
TC Electronic A/S		Designer MC/SAK/LHO
Title MAINBOARD STACCATO51		Module title ANALOG INPUT
Number P18301	Revision DCA	Previous page 1
Date 1-30-2004_15:01	Filenam TC_HEADER	Page / of 4 / 8



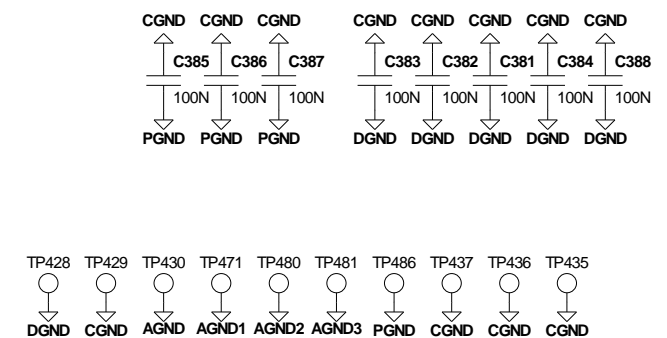
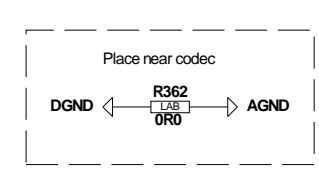
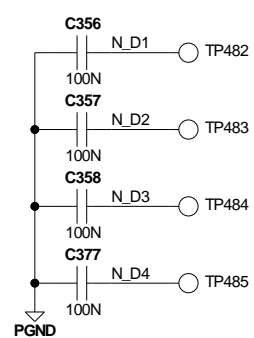
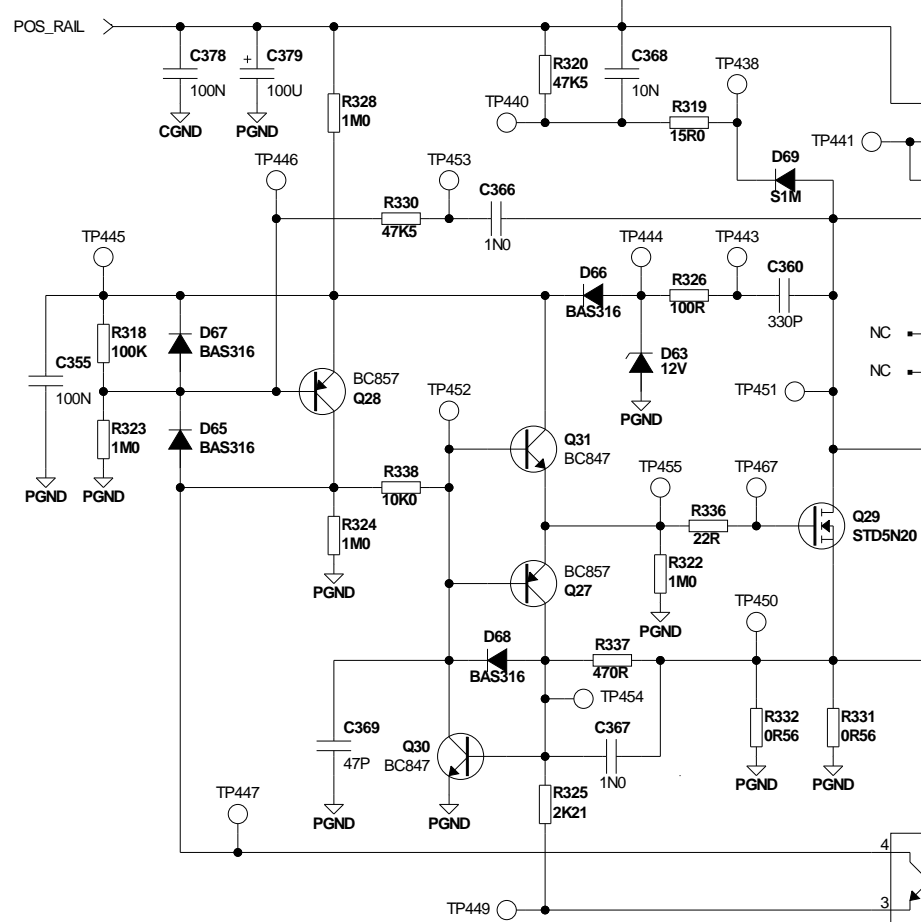
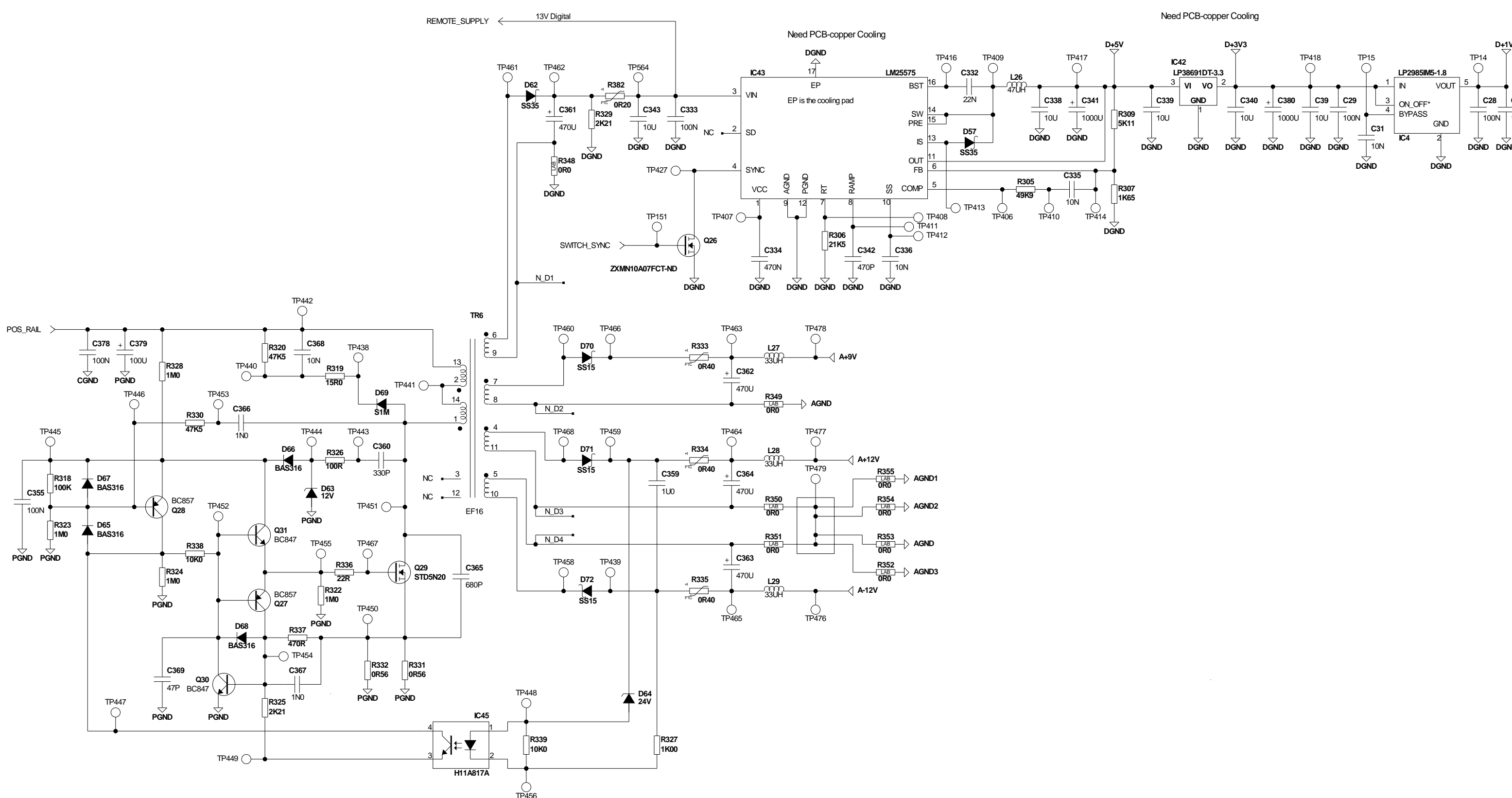
TC Electronic A/S Title MAINBOARD STACCATO51		Designer	
		MC/SAK/LHO	
Module title		GAIN SECTION	
Number	P18301	Revision	DCA
Date	7-10-2009_9:54	Filename	GAIN
Previous page		Page / of	
1		5 / 8	



TC Electronic A/S		Designer
MC/SAK/LHO		
Title	MAINBOARD STACCATO51	Module title
Number	P18301	ANALOG OUTPUT
Revision	DCA	Previous page
1		1
Date	7-10-2009_9:55	Page / of
	ANALOG_OUTPUTS	6 / 8



TC Electronic A/S		Designer MC/SAK/LHO
Title MAINBOARD STACCATO51		Module title DI SECTION
Number P18301	Revision DCA	Previous page 1
Date 7-10-2009_9:55	Filename DI	Page / of 7 / 8



TC Electronic A/S		Designer MC/SAK/LHO
Title MAINBOARD STACCATO51	Module title SUPPLY SECTION	
Number P18301	Revision DCA	Previous page 1
Date 7-10-2009_9:56	Filename SUPPLY	Page / of 8 / 8