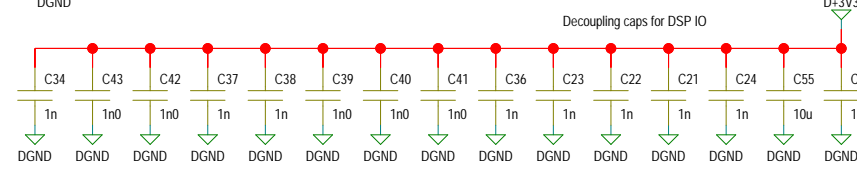
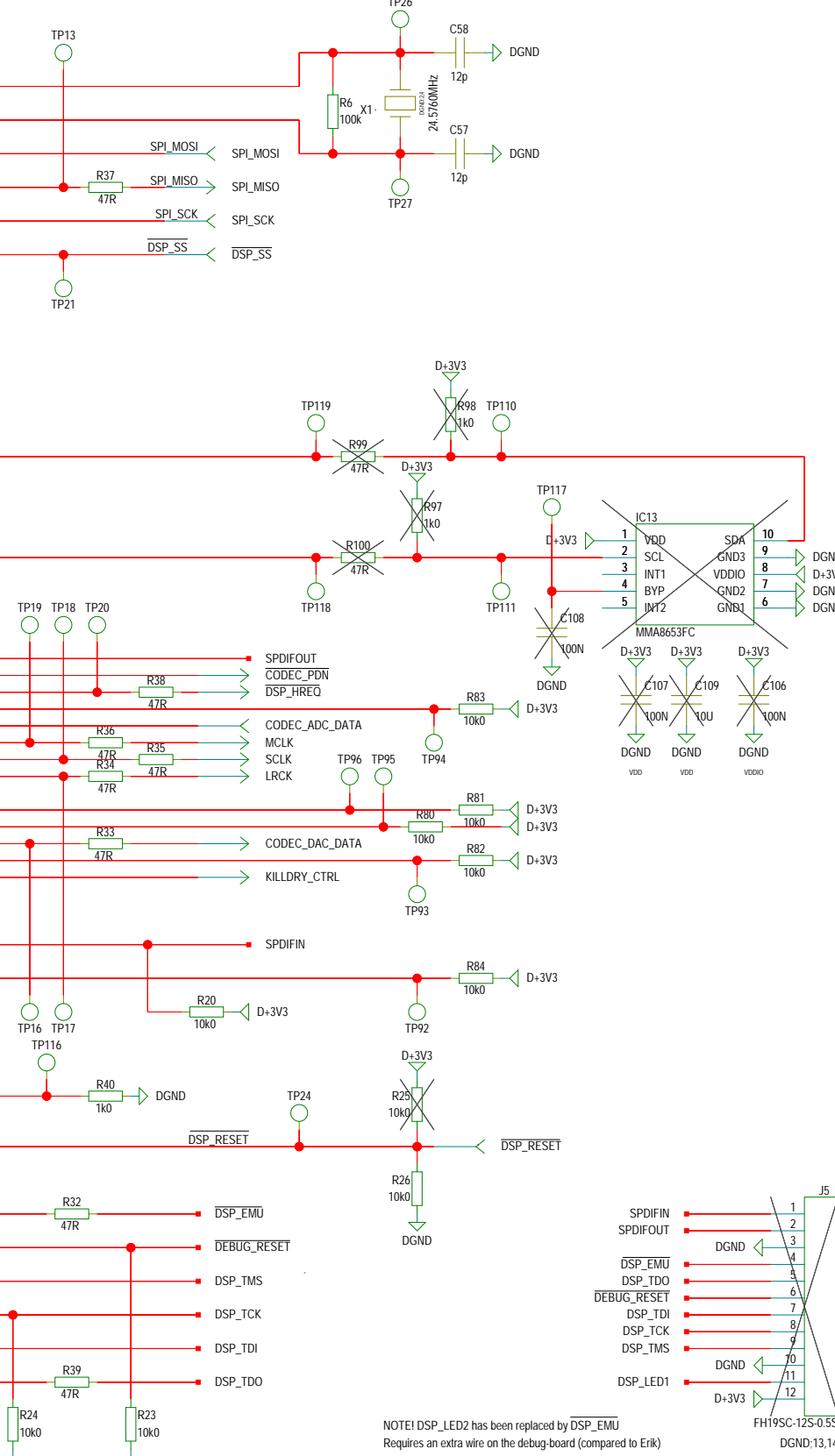
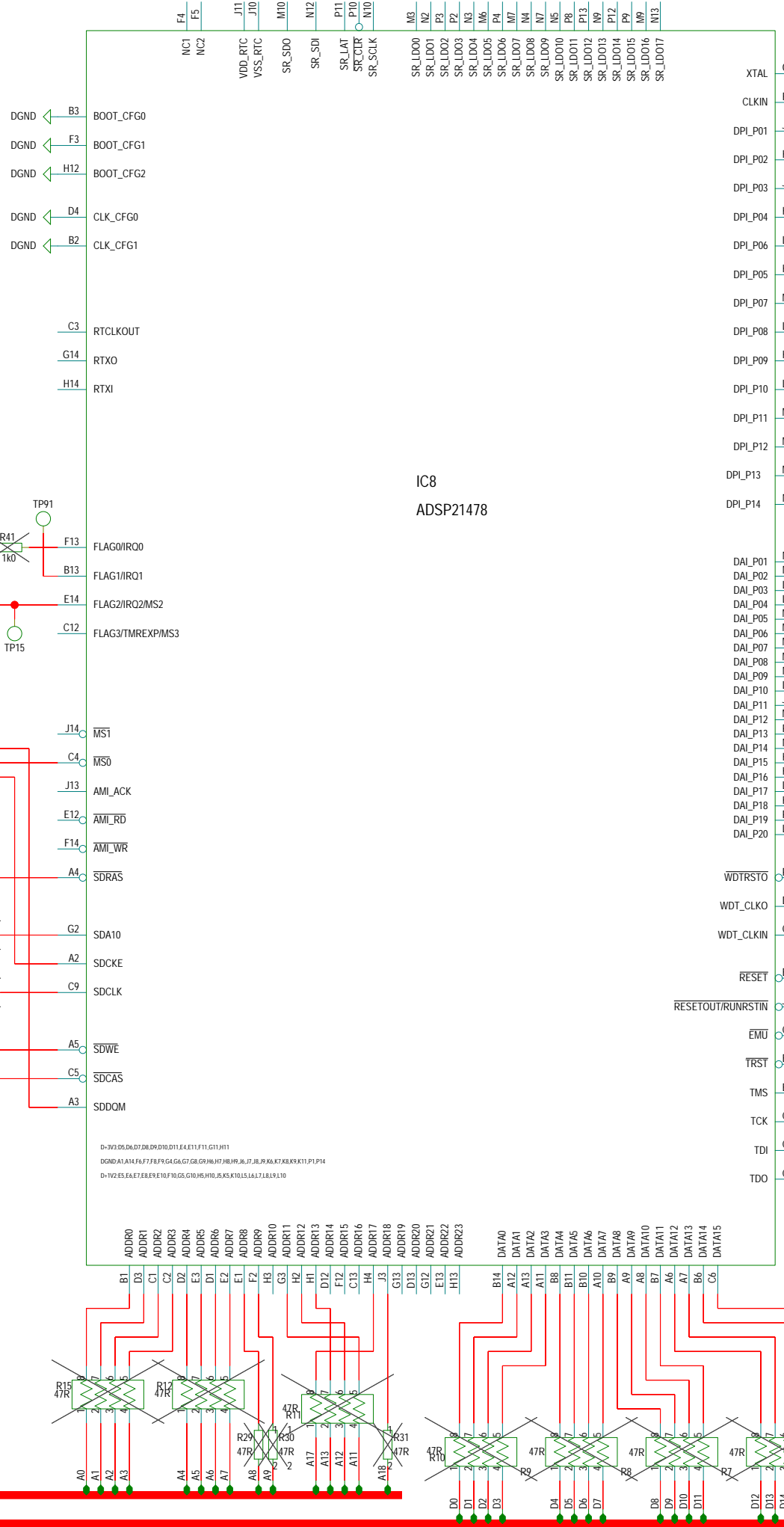
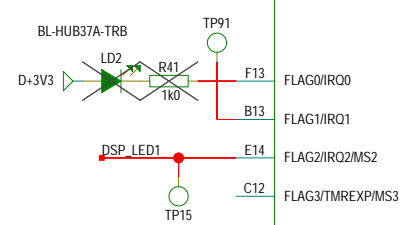
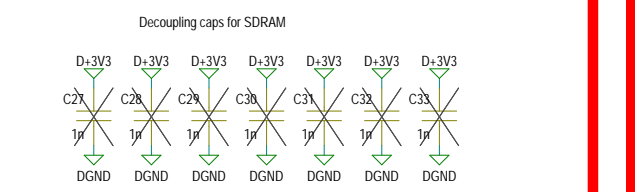
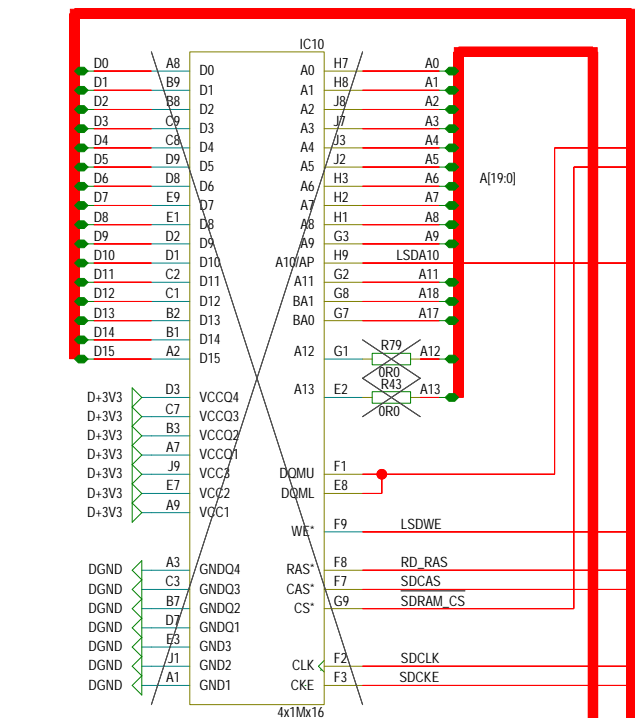
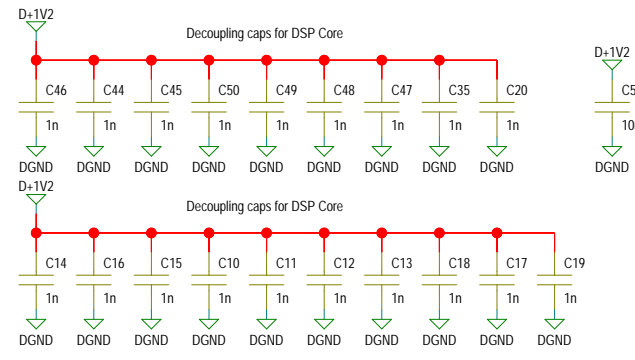
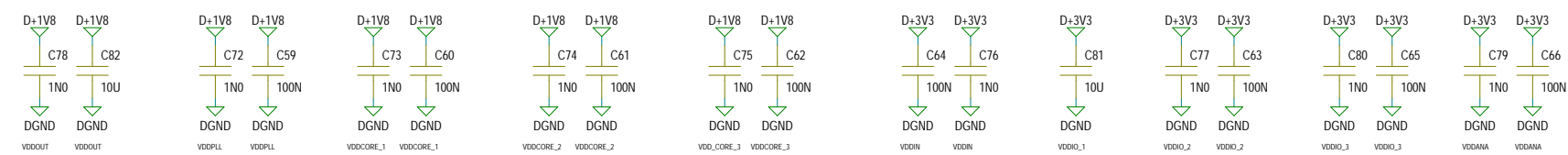
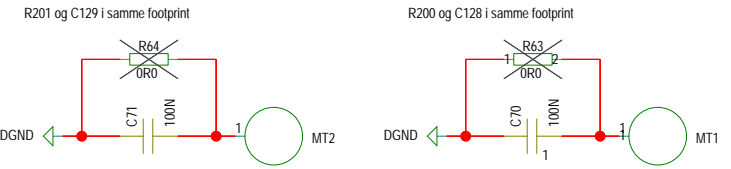
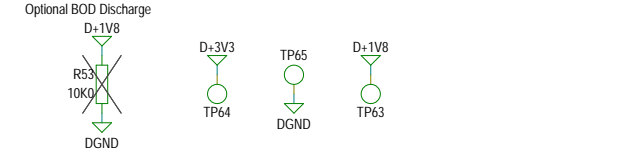
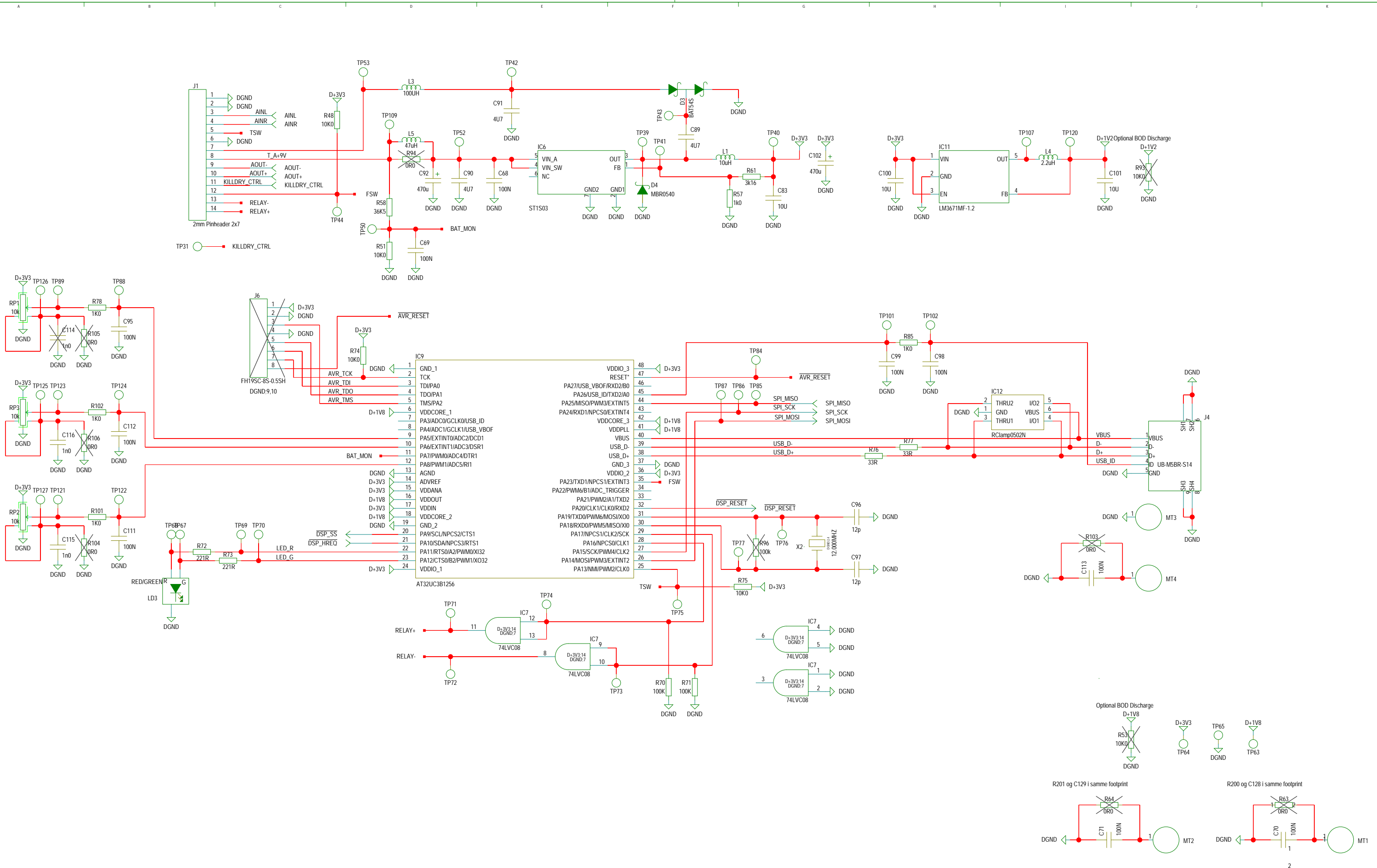


M1
 P22594-B
 pcb

TC Electronic				Designer(s) HJE/PRO
Title 1280-BARRYWHITE				Module title MODULE TITLE
Number P22594	Revision B	Variant E	Version B	Board type UI BOARD
Date 17/11/2016:14:46	Filename			Page / of 1 / 4



TC Electronic				Designer(s)	HJE/PRO
Title	1280-BARRYWHITE			Module title	MODULE TITLE
Number	P22594	Revision	B	Variant	E
Date	17/11/2016:14:46	Version	B	Board type	UI BOARD
Filename	dsp		Page / of	3 / 4	



TC Electronic				Designer(s)	HJE/PRO
Title		1280-BARRYWHITE		Module title	
				MODULE TITLE	
Number	Revision	Variant	Version	Board type	
P22594	B	E	B	UI BOARD	
Date	Filename		Page / of		
17/11/2016:14:46	uc_and_connects		2 / 4		