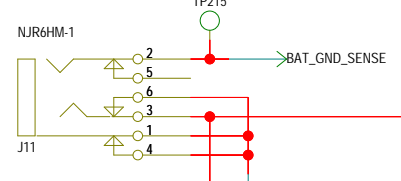


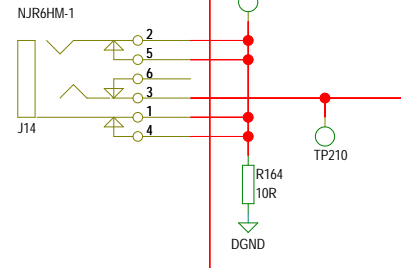
M1  
P22386-A  
pcb

<b>TC Electronic</b>				Designer(s) HJE/PRO
Title 1403-COHEN				Module title MODULE TITLE
Number P22386	Revision A	Variant C	Version B	Board type MAINBOARD
Date 12/01/2016:11:01	Filename			Page / of 1 / 5

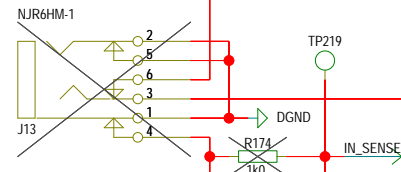
INPUT L



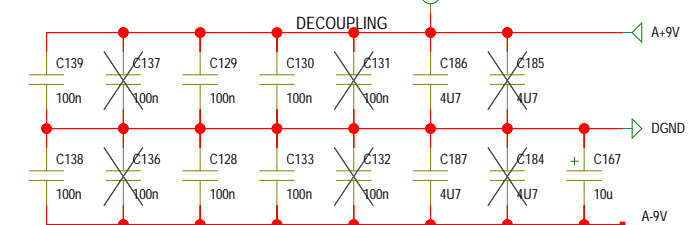
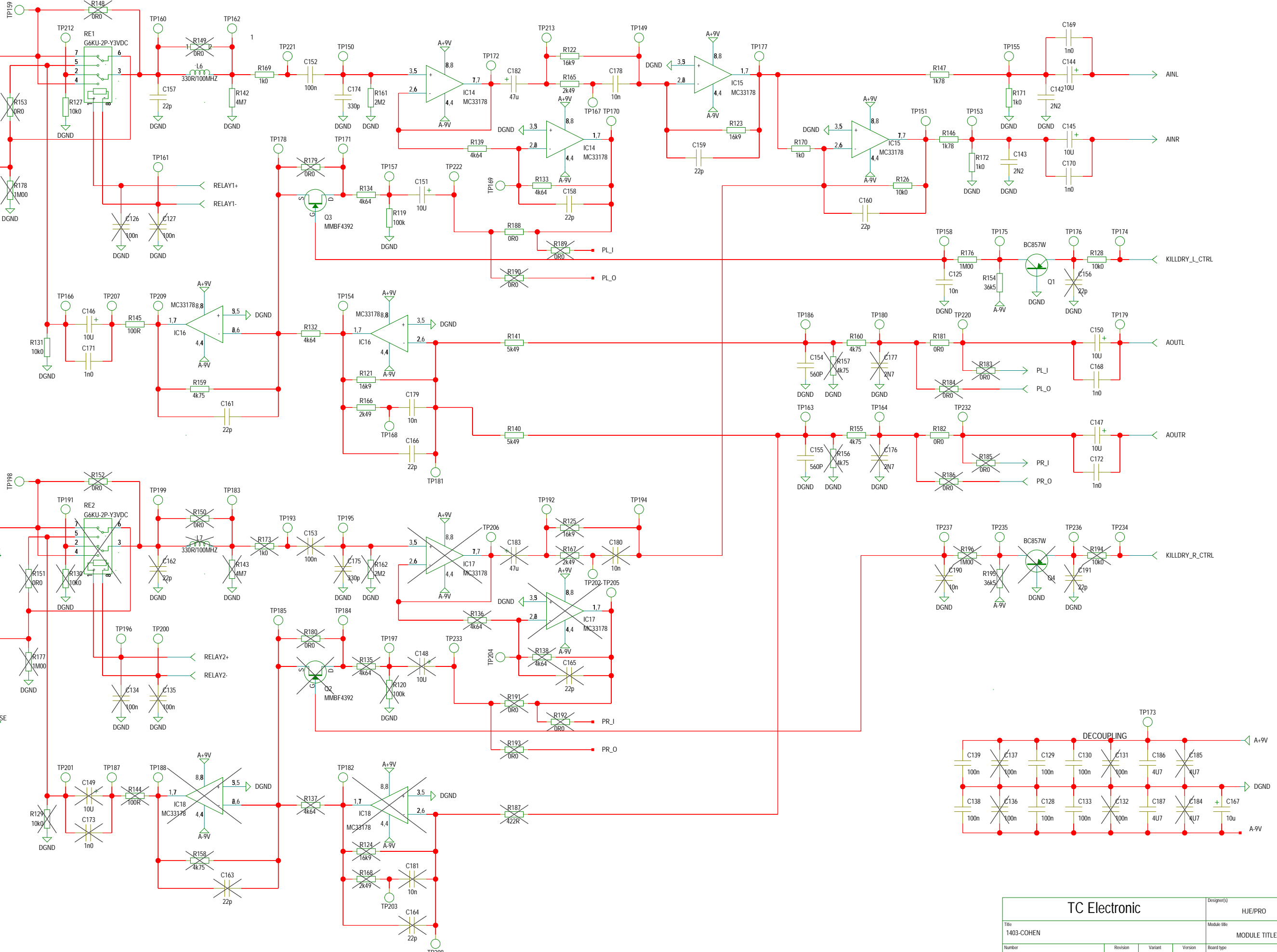
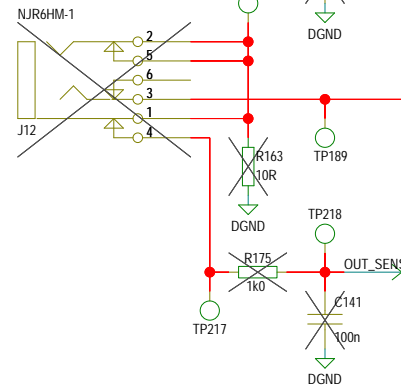
OUTPUT L



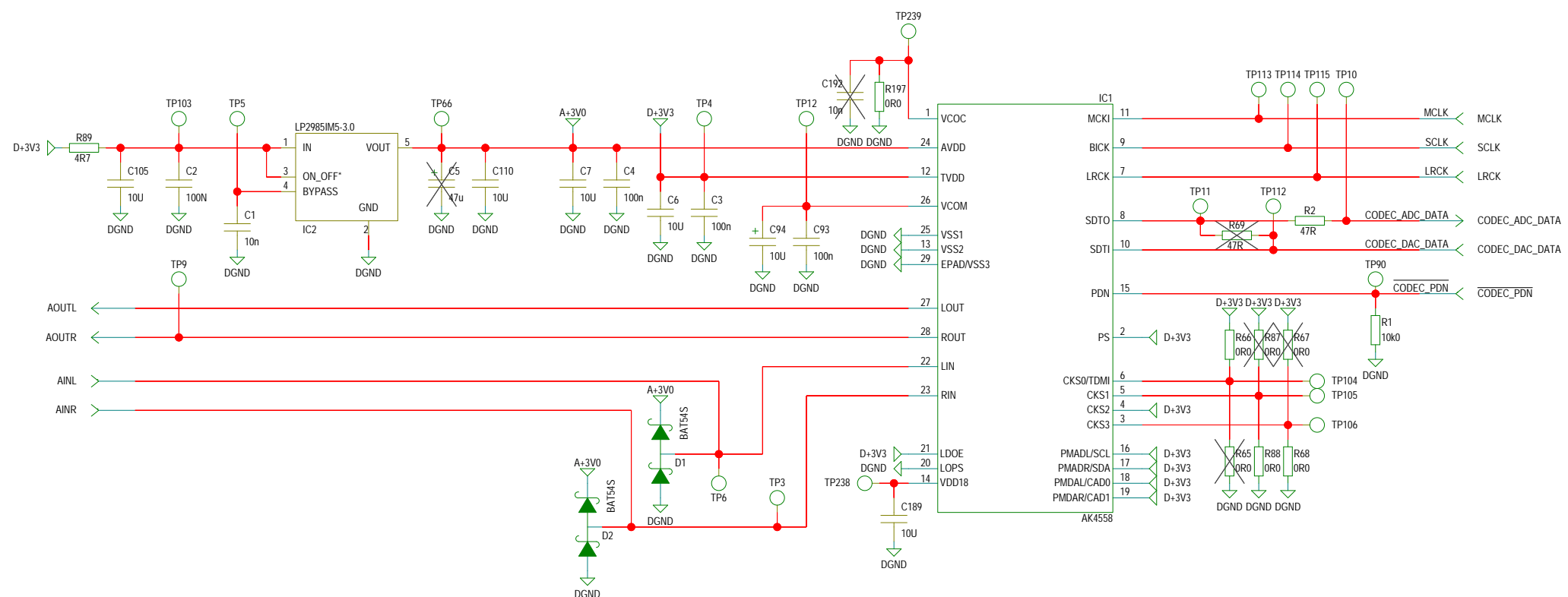
INPUT R



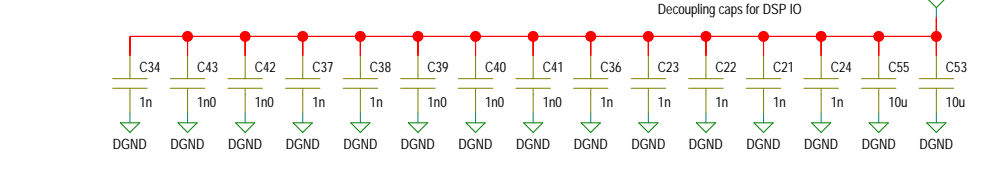
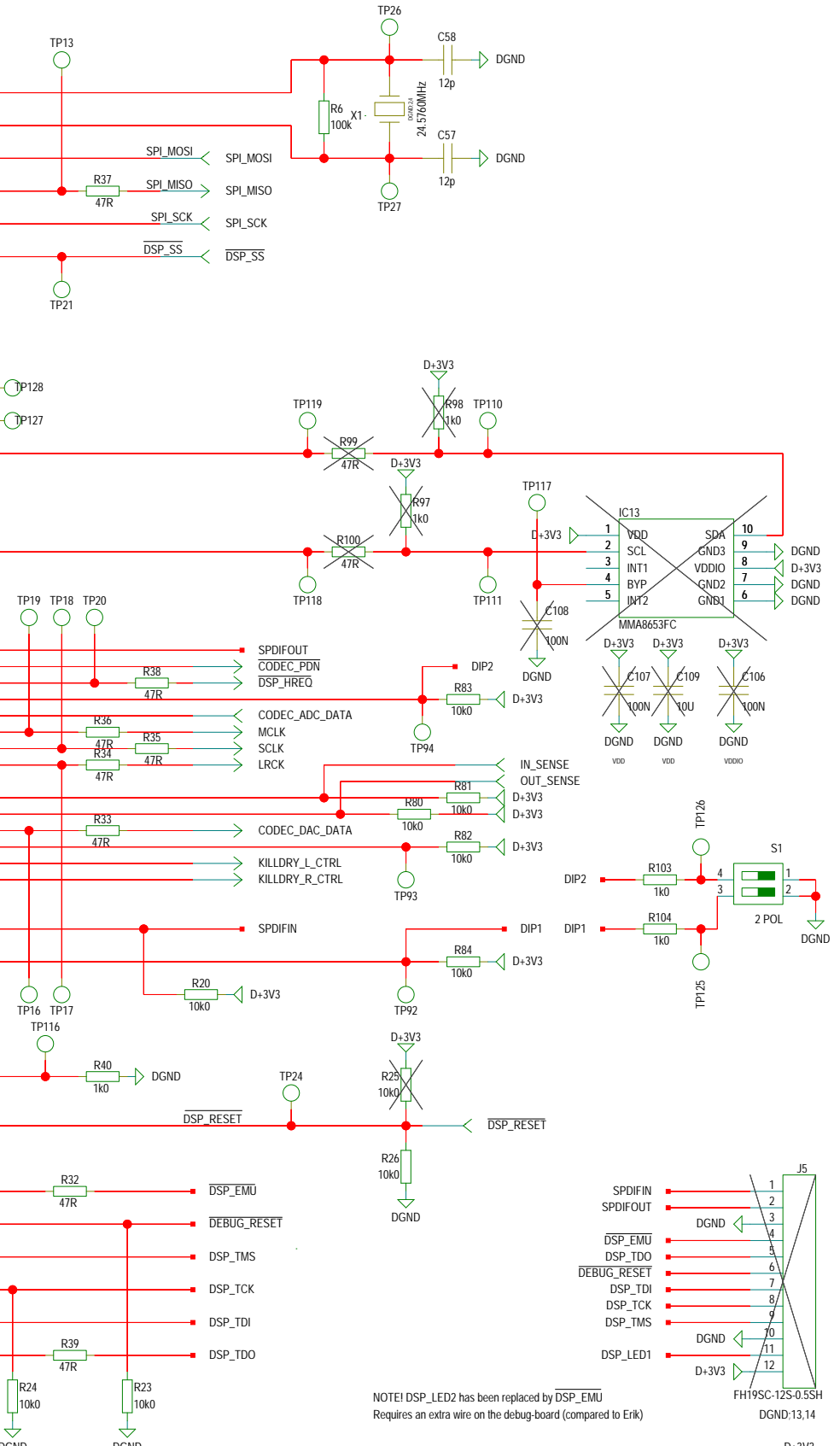
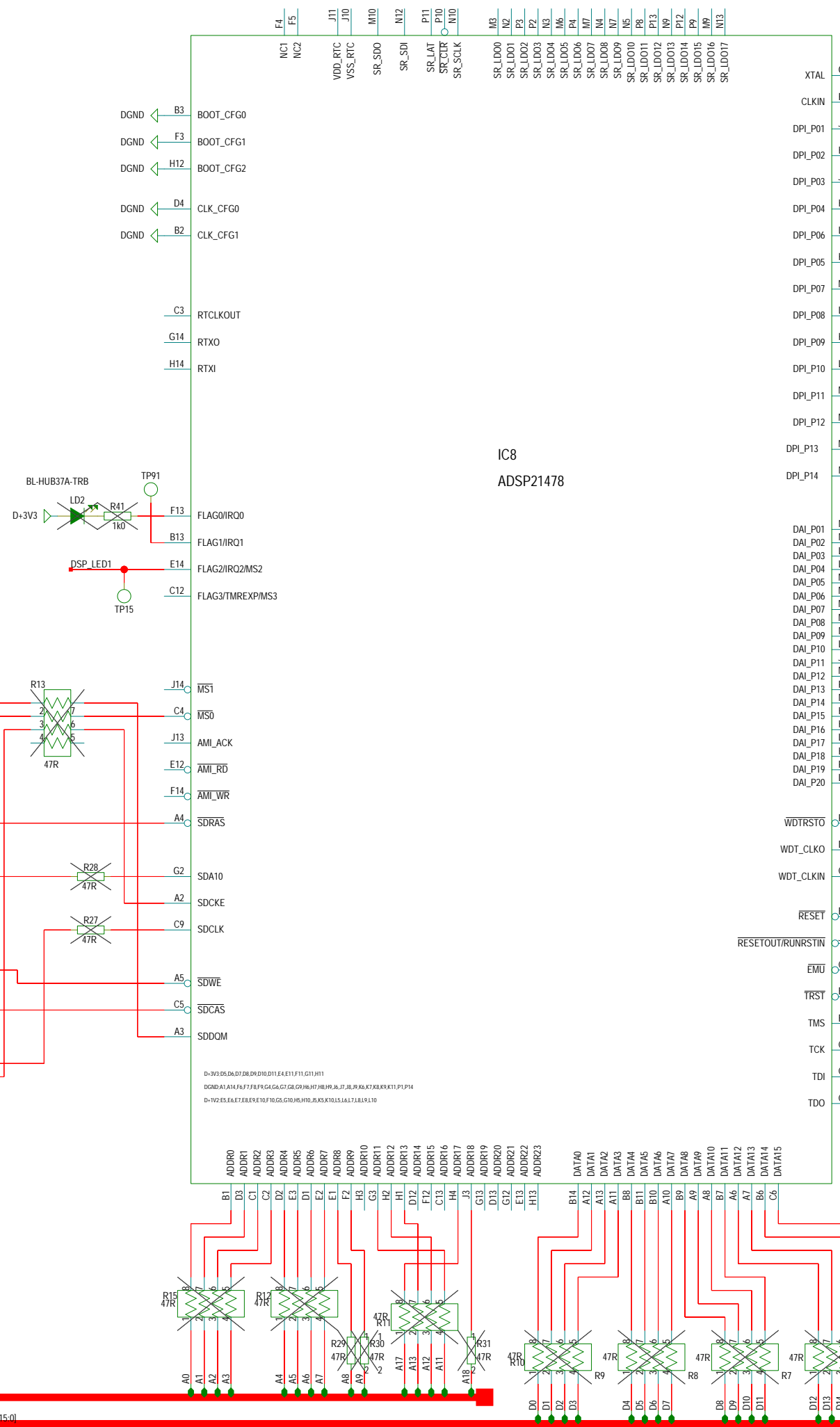
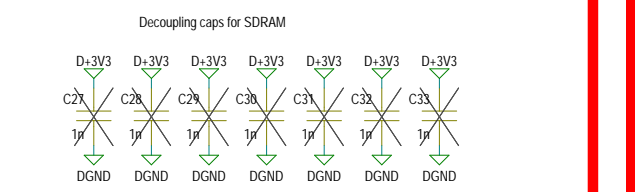
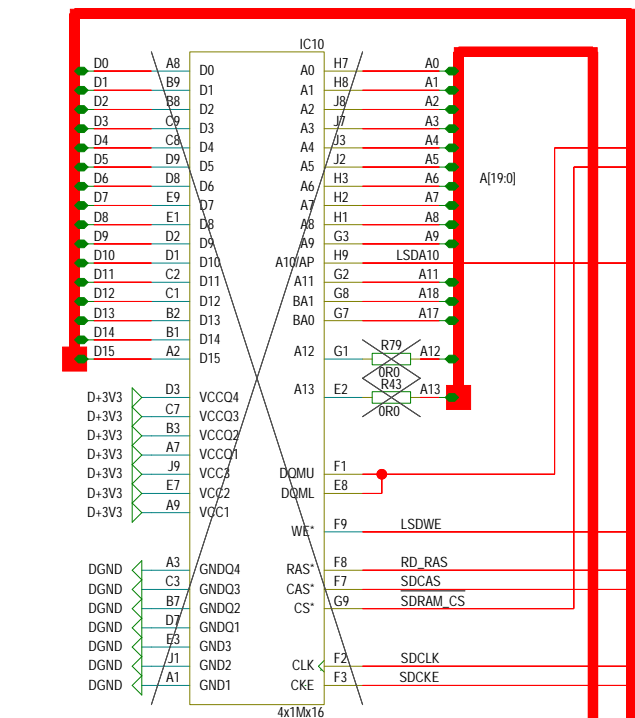
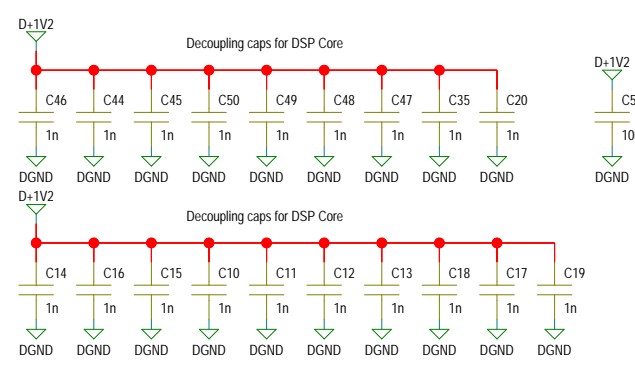
OUTPUT R



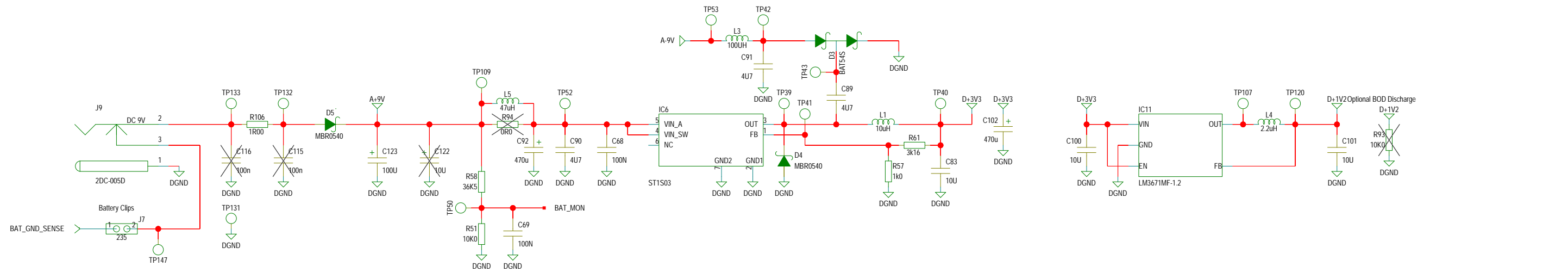
<b>TC Electronic</b>				Designer(s)	HJE/PRO
Title		1403-COHEN		Module title	MODULE TITLE
Number	P22386	Revision	A	Variant	C
Date	12/01/2016:11:02	Version	B	Board type	MAINBOARD
Filename		ANALOG		Page / of	5 / 5



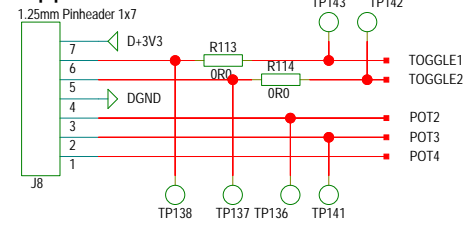
TC Electronic				Designer(s)	HJE/PRO
Title 1403-COHEN				Module title	MODULE TITLE
Number P22386	Revision A	Variant C	Version B	Board type	MAINBOARD
Date 12/01/2016:11:01	Filename codec			Page / of 4 / 5	



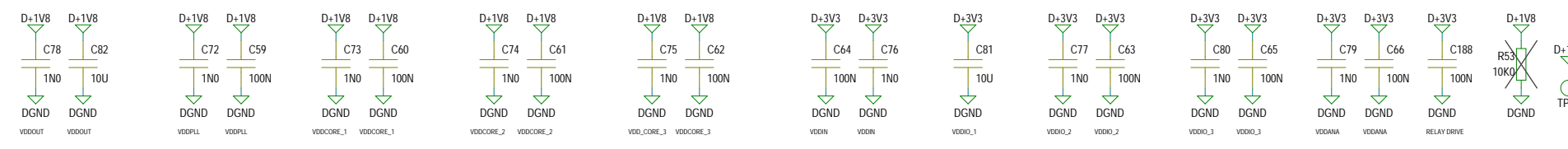
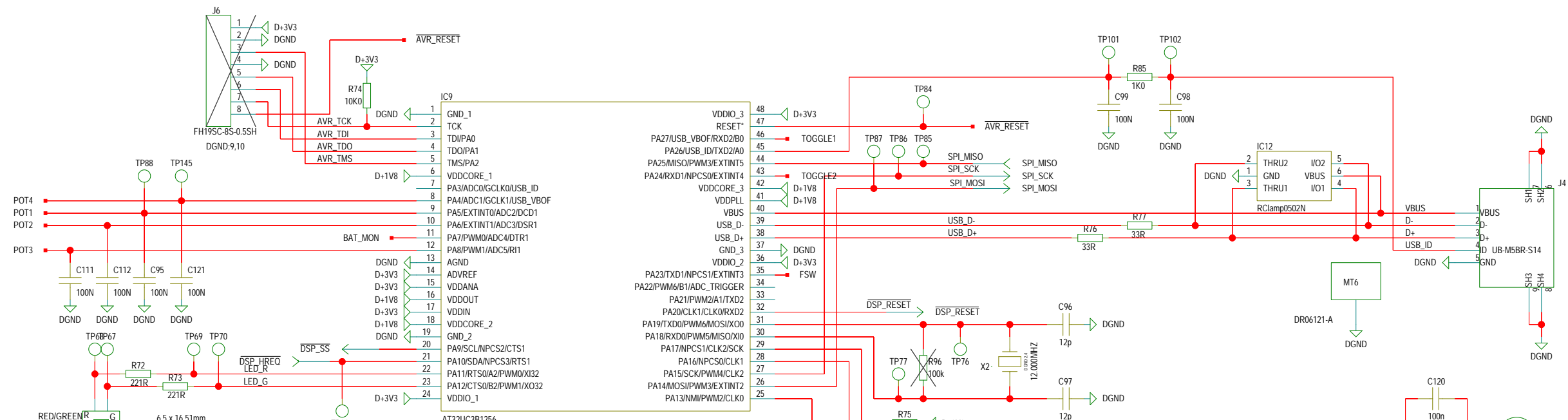
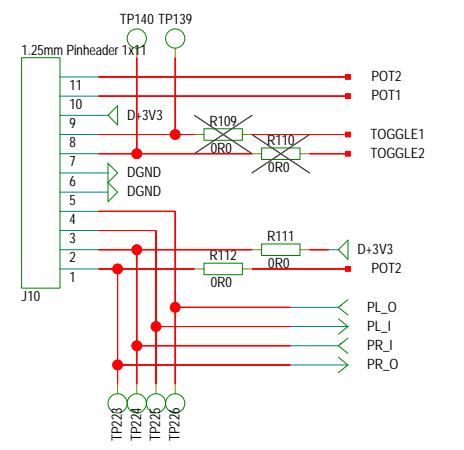
TC Electronic				Designer(s)	
Title: 1403-COHEN				HJE/PRO	
Number: P22386				Module title: MODULE TITLE	
Date: 12/01/2016:11:01				Board type: MAINBOARD	
Revision: A				Variant: C	
Filename: dsp				Version: B	
Page: 7 of 11				Page: 3 of 5	



### Upper Pots



### Lower Pots



<b>TC Electronic</b>				Designer(s) HJE/PRO	
Title 1403-COHEN		Revision A		Module title MODULE TITLE	
Number P22386		Variant C		Board type MAINBOARD	
Date 12/01/2016:11:02		Filename uc_and_connects		Page 1 of 5	