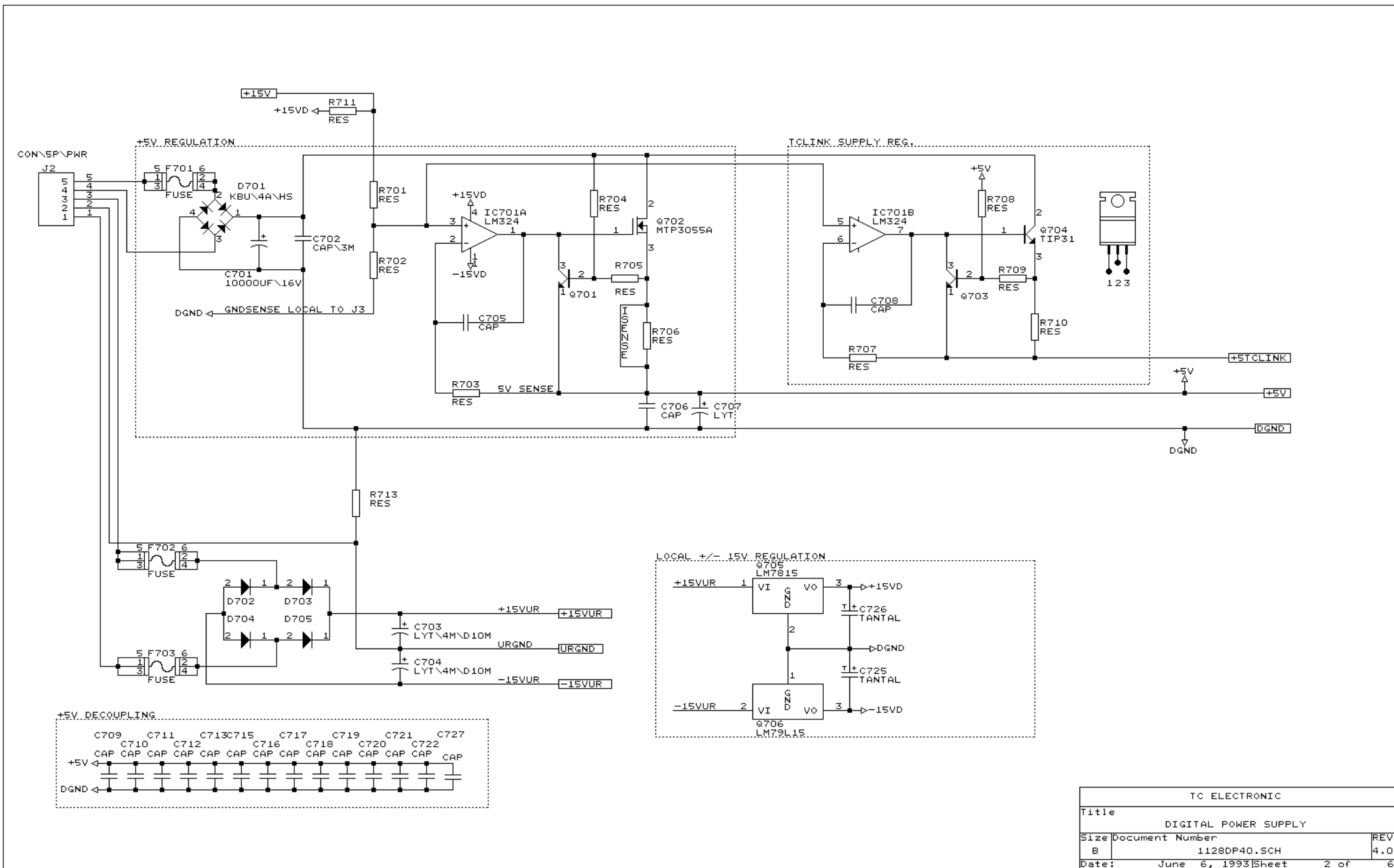
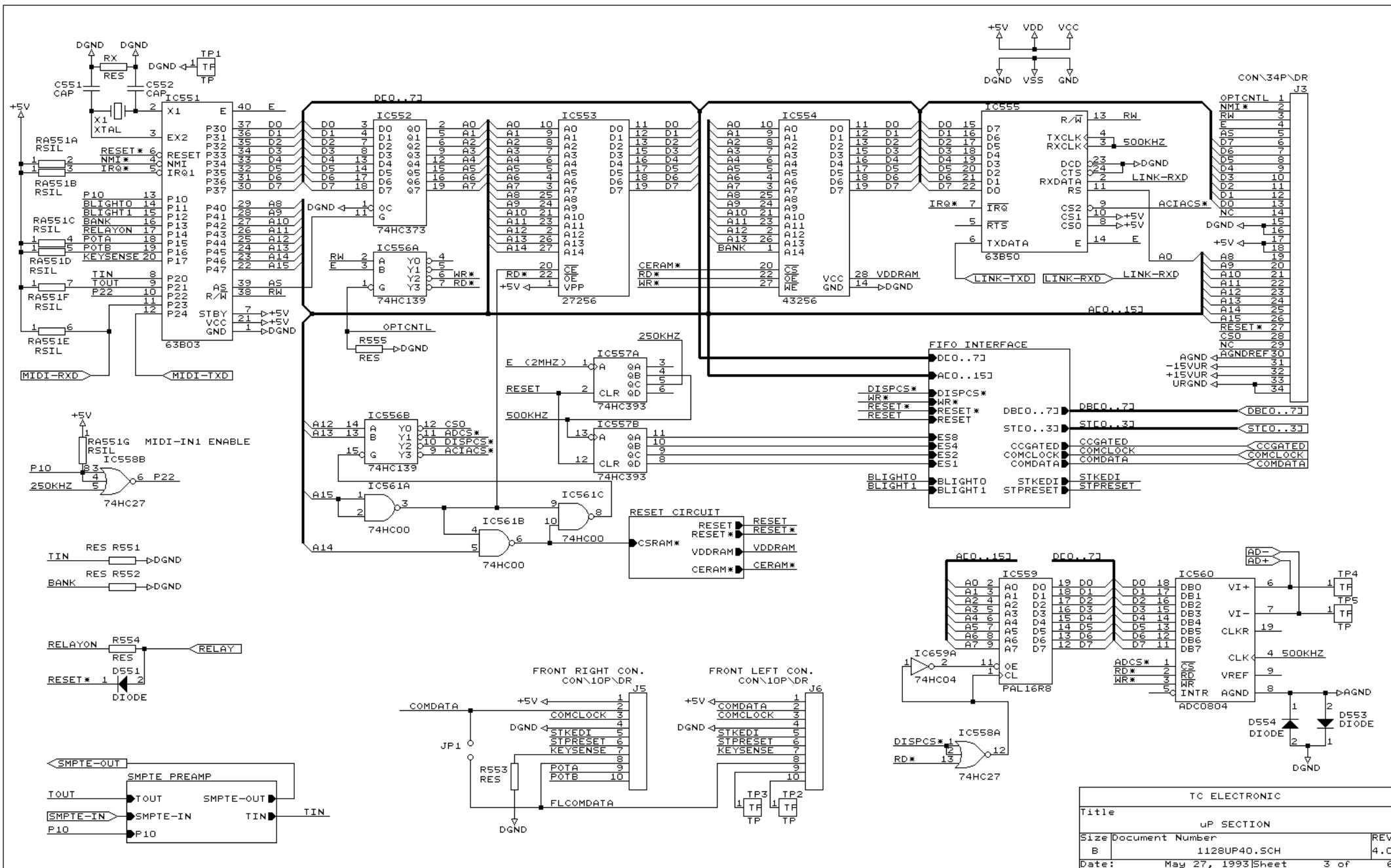


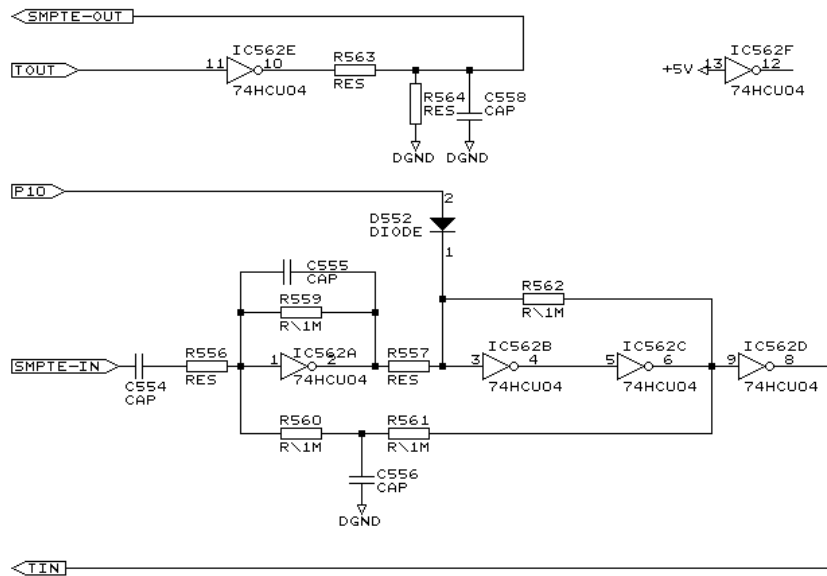
TC ELECTRONIC		
Title		
DIGITAL BOARD		
Size	Document Number	REV
A	PC2802-4.SCH	4.0
Date:	May 24, 1993	Sheet 1 of 6



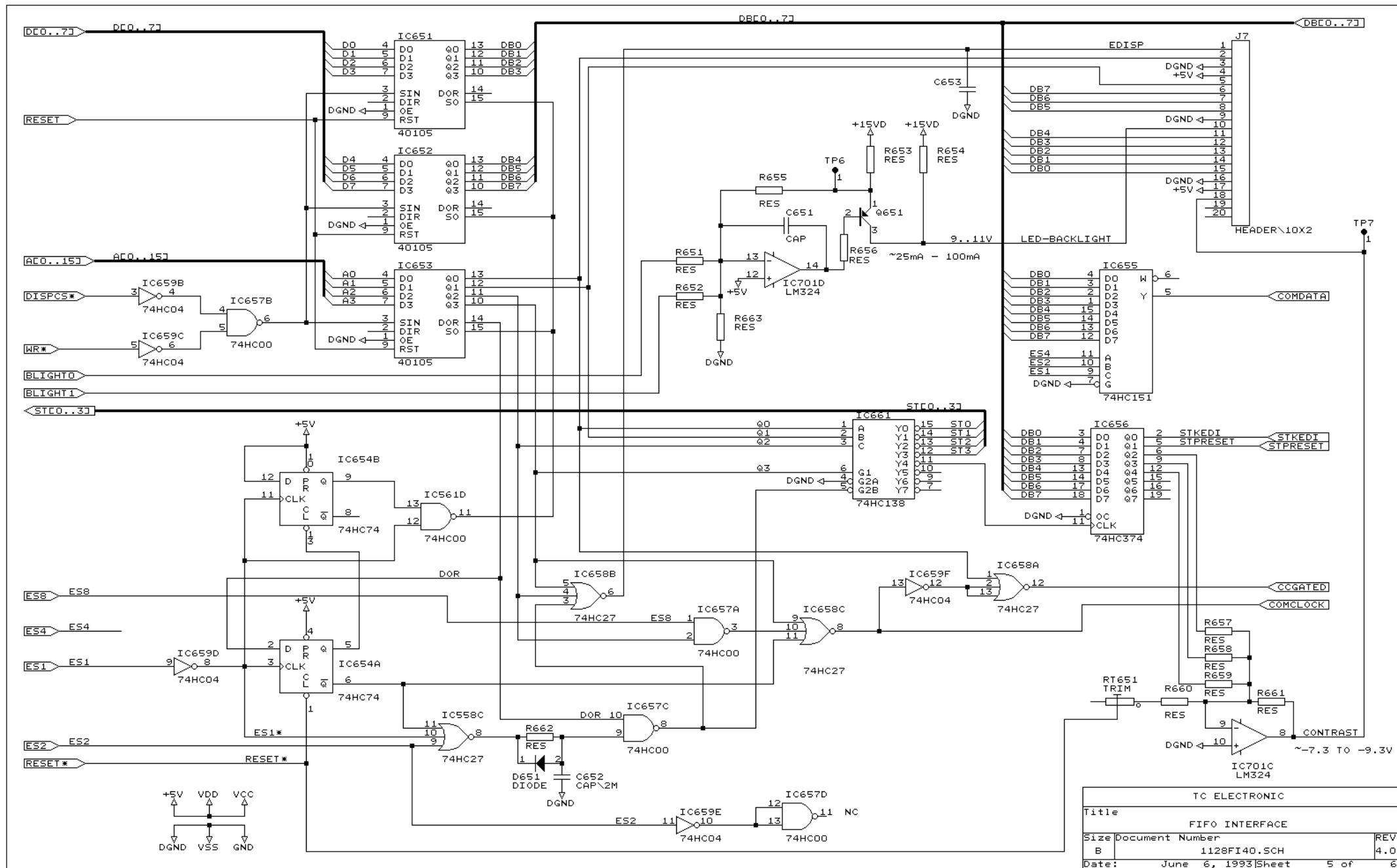
TC ELECTRONIC		
Title		
DIGITAL POWER SUPPLY		
Size	Document Number	REV
B	1128DP40.SCH	4.0
Date:	June 6, 1993	Sheet 2 of 6



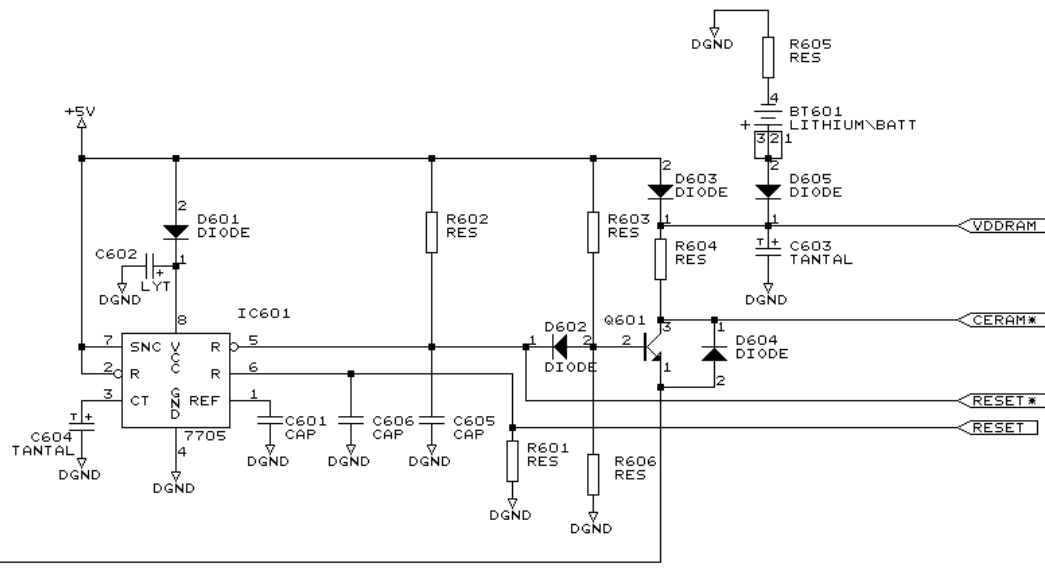
TC ELECTRONIC		
Title	uP SECTION	
Size	Document Number	REV
B	1128UP40.SCH	4.0
Date:	May 27, 1993	Sheet 3 of 6



TC ELECTRONIC		
Title TC1128 SMPTE I/O		
Size	Document Number	REV
A	1128SM40.SCH	4.0
Date:	May 6, 1993	Sheet 4 of 6



TC ELECTRONIC		
Title	FIFO INTERFACE	
Size	Document Number	REV
B	1128FI40.SCH	4.0
Date:	June 6, 1993	Sheet 5 of 6



CSRAM\*

TC ELECTRONIC		
Title		
RESET CIRCUIT		
Size	Document Number	REV
A	1128RS40.SCH	4.0
Date:	June 6, 1993	Sheet 6 of 6