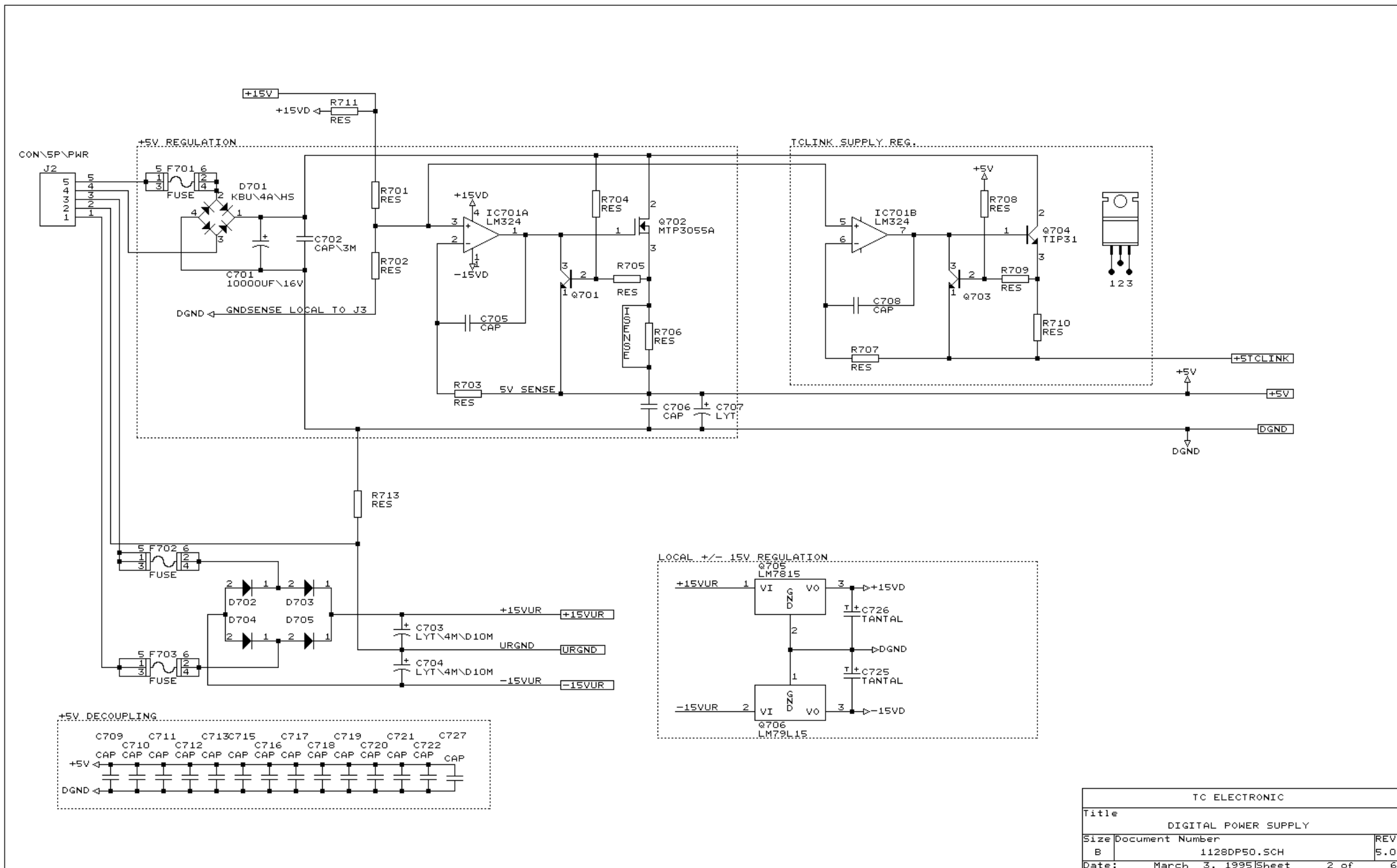
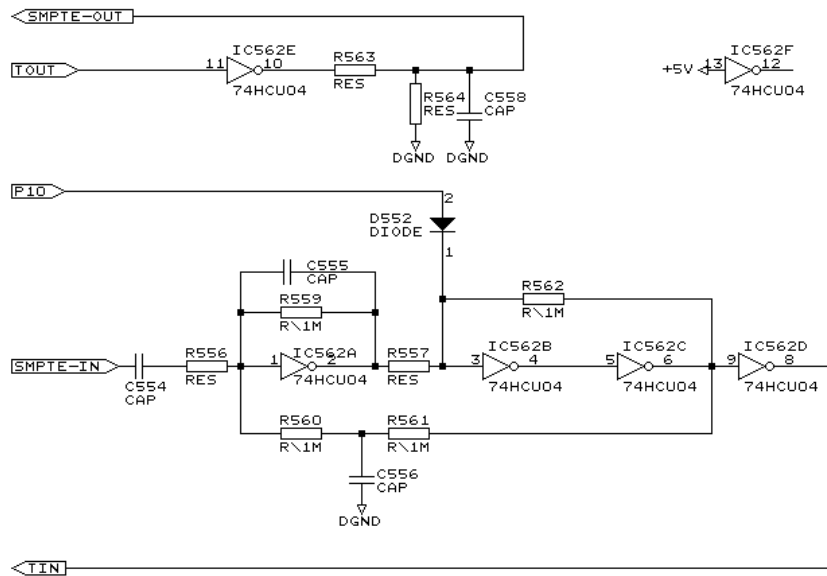


TC ELECTRONIC		
Title		
DIGITAL BOARD		
Size	Document Number	REV
A	PC2802-5.SCH	5.0
Date:	March 3, 1995	Sheet 1 of 6

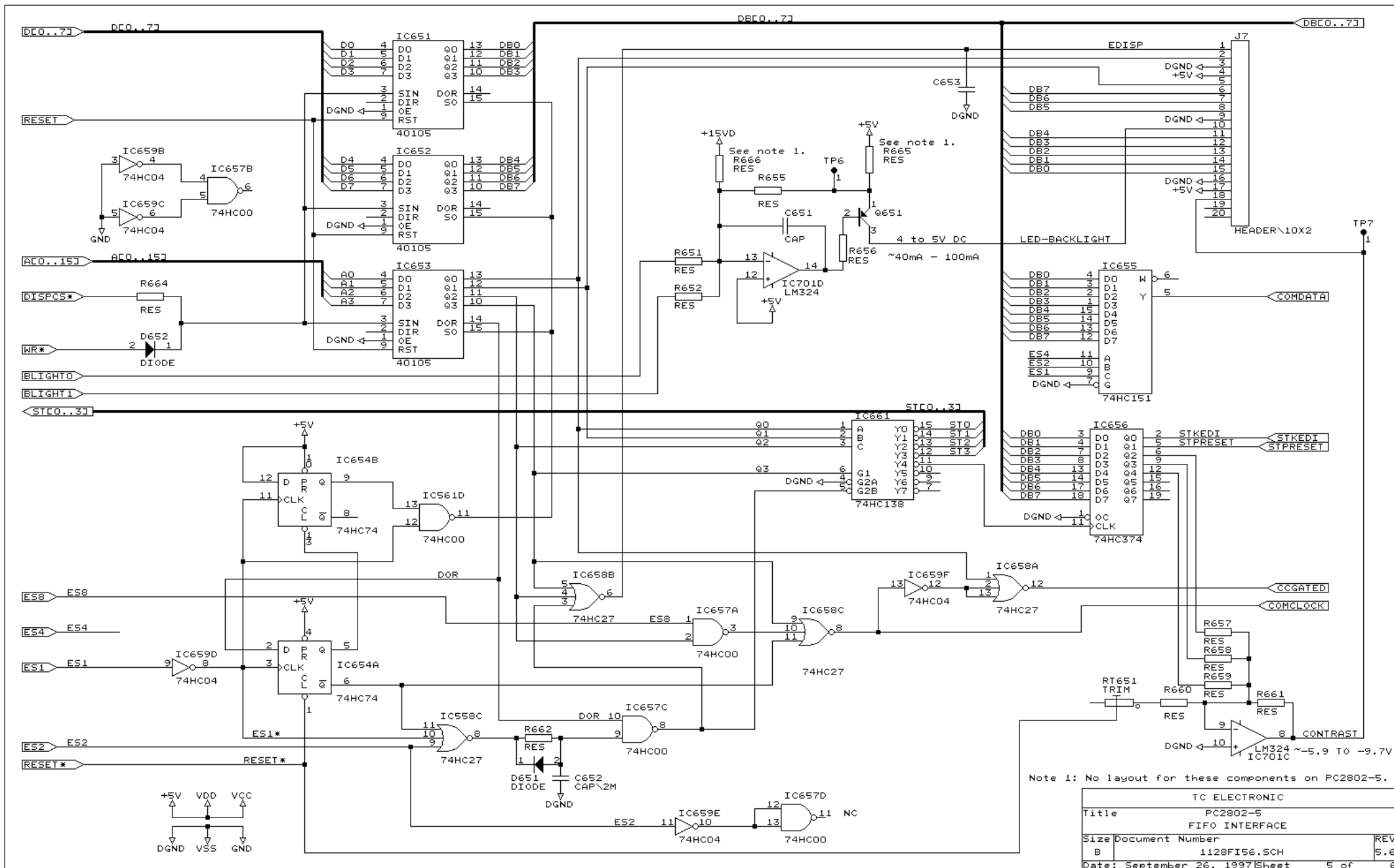


TC ELECTRONIC		
Title DIGITAL POWER SUPPLY		
Size B	Document Number 1128DP50.SCH	REV 5.0
Date:	March 3, 1995	Sheet 2 of 6



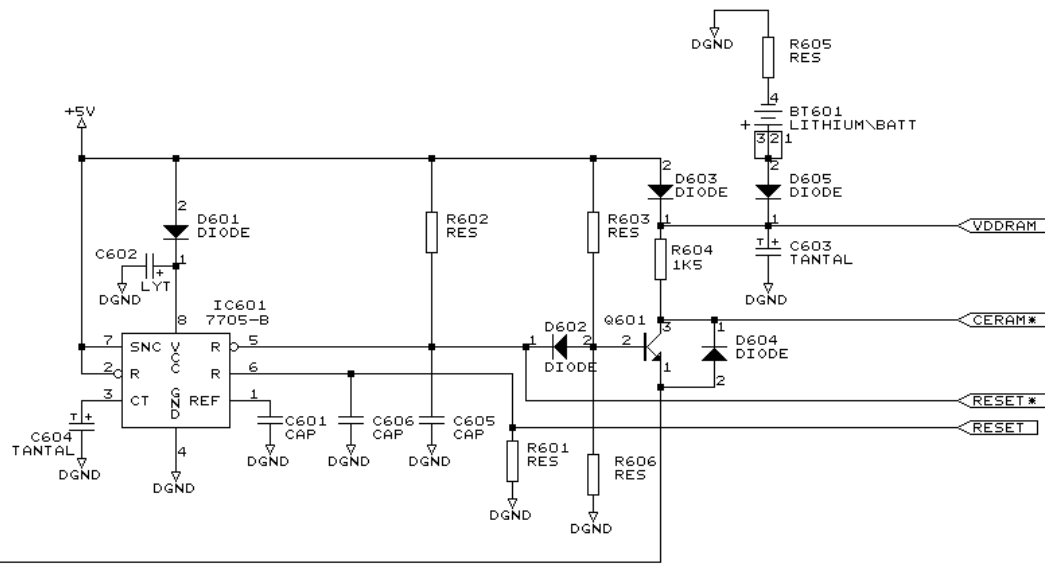


TC ELECTRONIC		
Title TC1128 SMPTE I/O		
Size	Document Number	REV
A	1128SM50.SCH	5.0
Date:	March 3, 1995	Sheet 4 of 6



Note 1: No layout for these components on PC2802-5.

TC ELECTRONIC		
Title PC2802-5 FIFO INTERFACE		
Size B	Document Number 1128FI56.SCH	REV 5.6
Date: September 26, 1997	Sheet	5 of 6



CSRAM\*

TC ELECTRONIC		
Title RESET CIRCUIT		
Size	Document Number	REV
A	1128RS50.SCH	S.0
Date:	May 21, 1995	Sheet 6 of 6