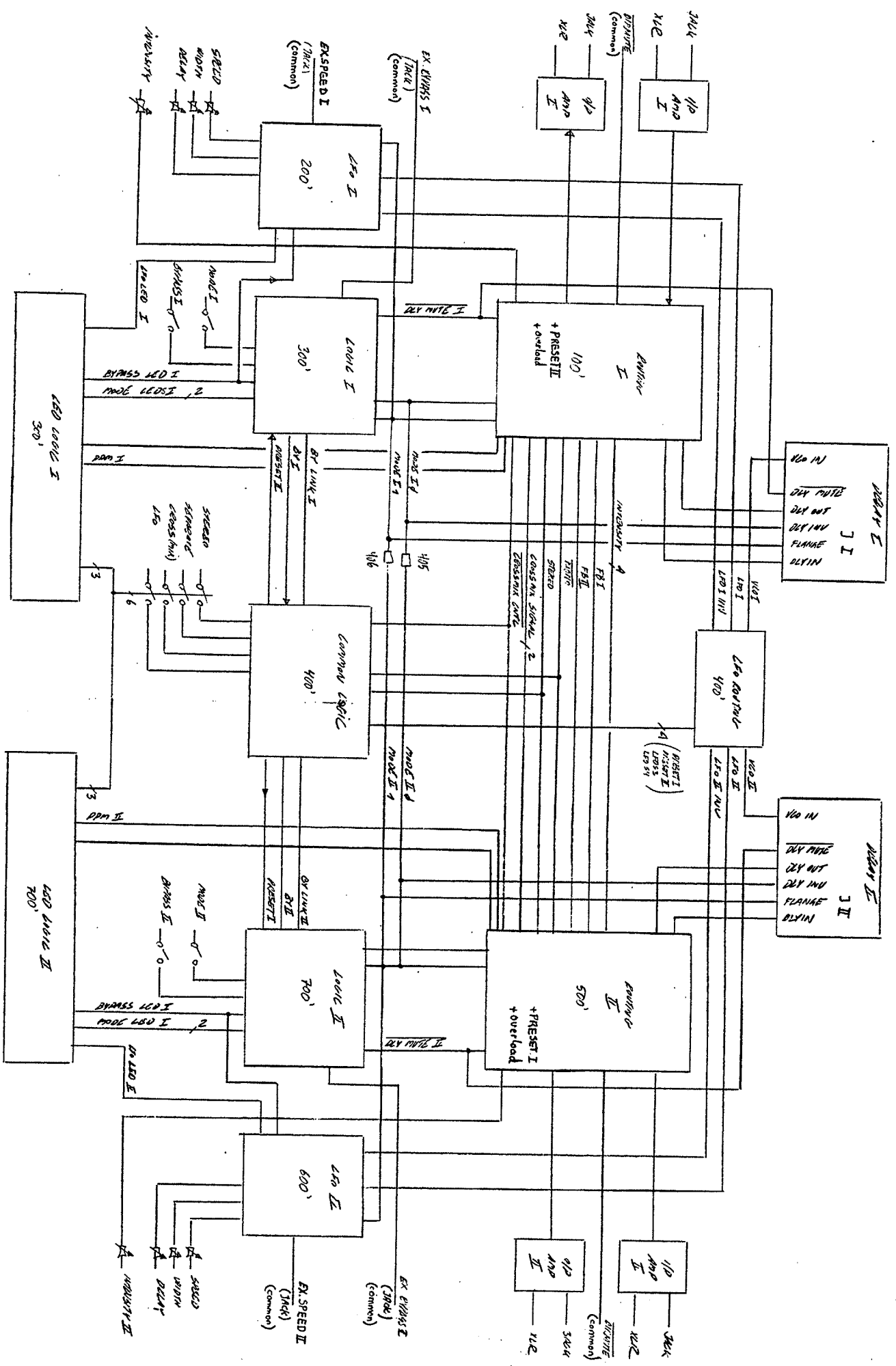


TC1210

STEREO SPATIAL EXPANDER + CHORUS + FLANGER





TO 1000/1015 RELAY CONTACT BOX DRAWING

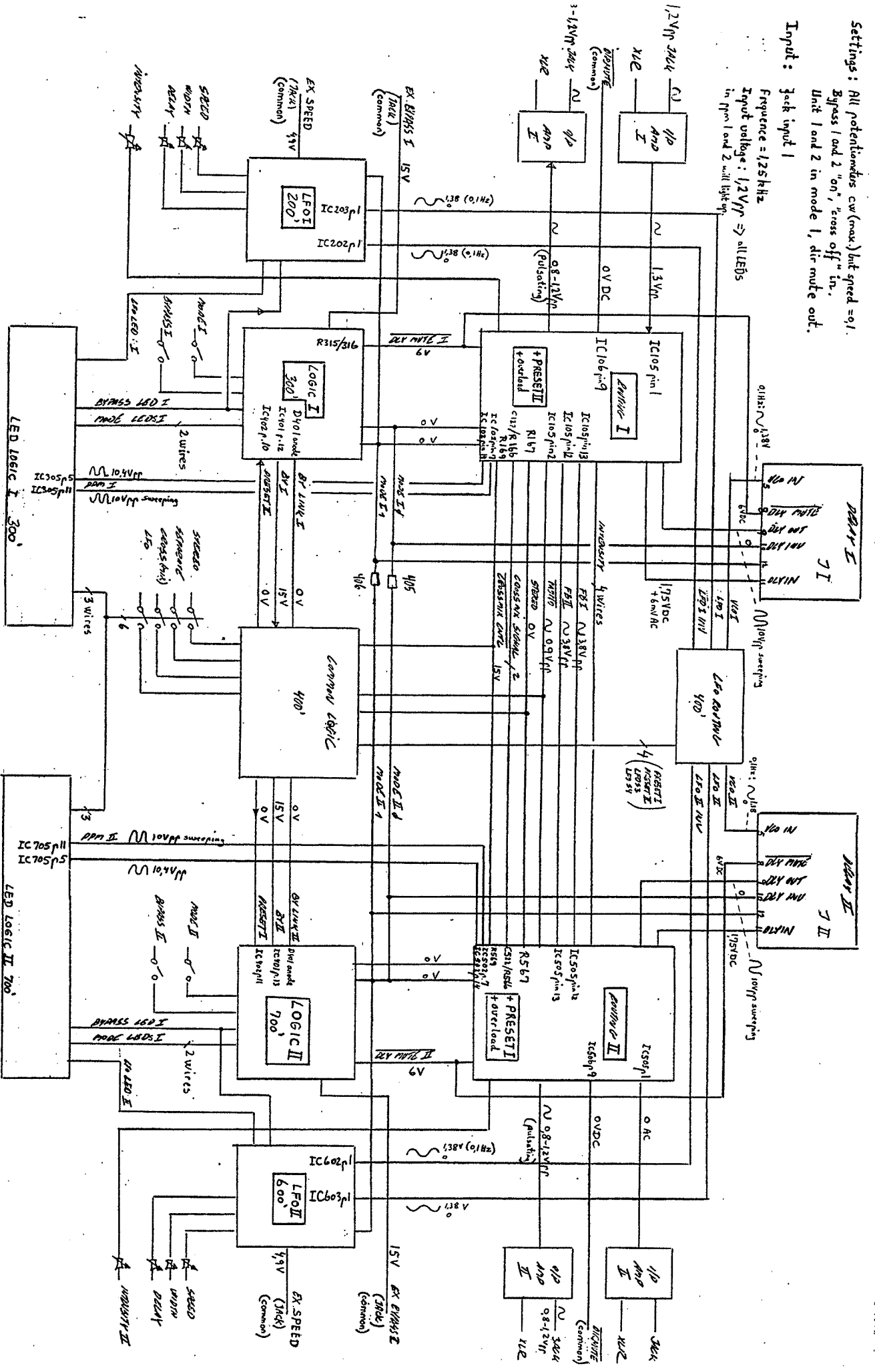
850419 10/12
890315/ks

Settings: All potentiometers CW(max.) Int speed = 0.1
 Bypass 1 and 2 "on", "cross off" in.
 Unit 1 and 2 in mode 1, dir mute out.

Input: Jack input 1

Frequency = 1.25 kHz

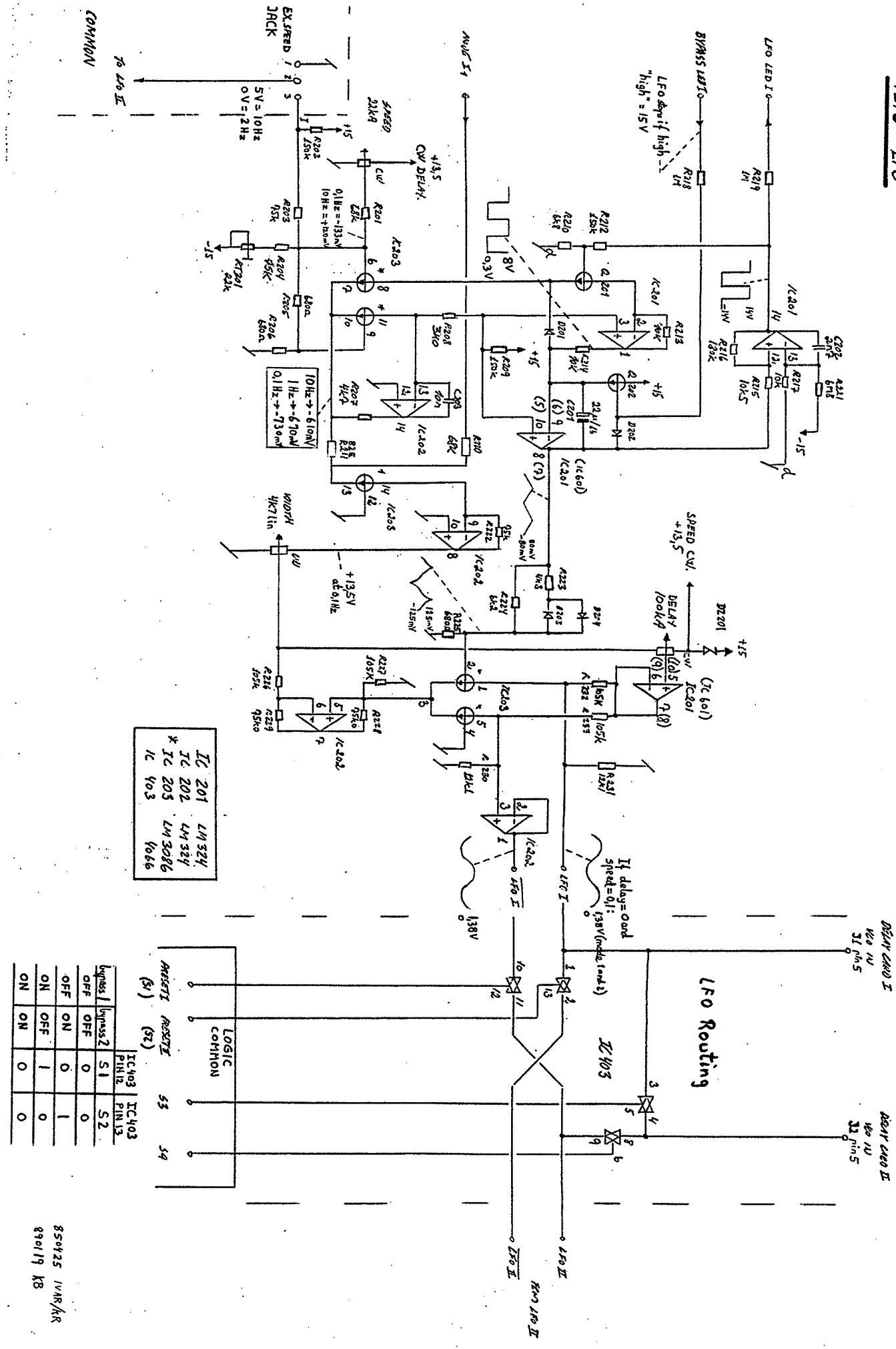
Input voltage: 1.2 VPP => all LEDs
 in pin 1 and 2 will light up



IC 705 pin 11 & 5

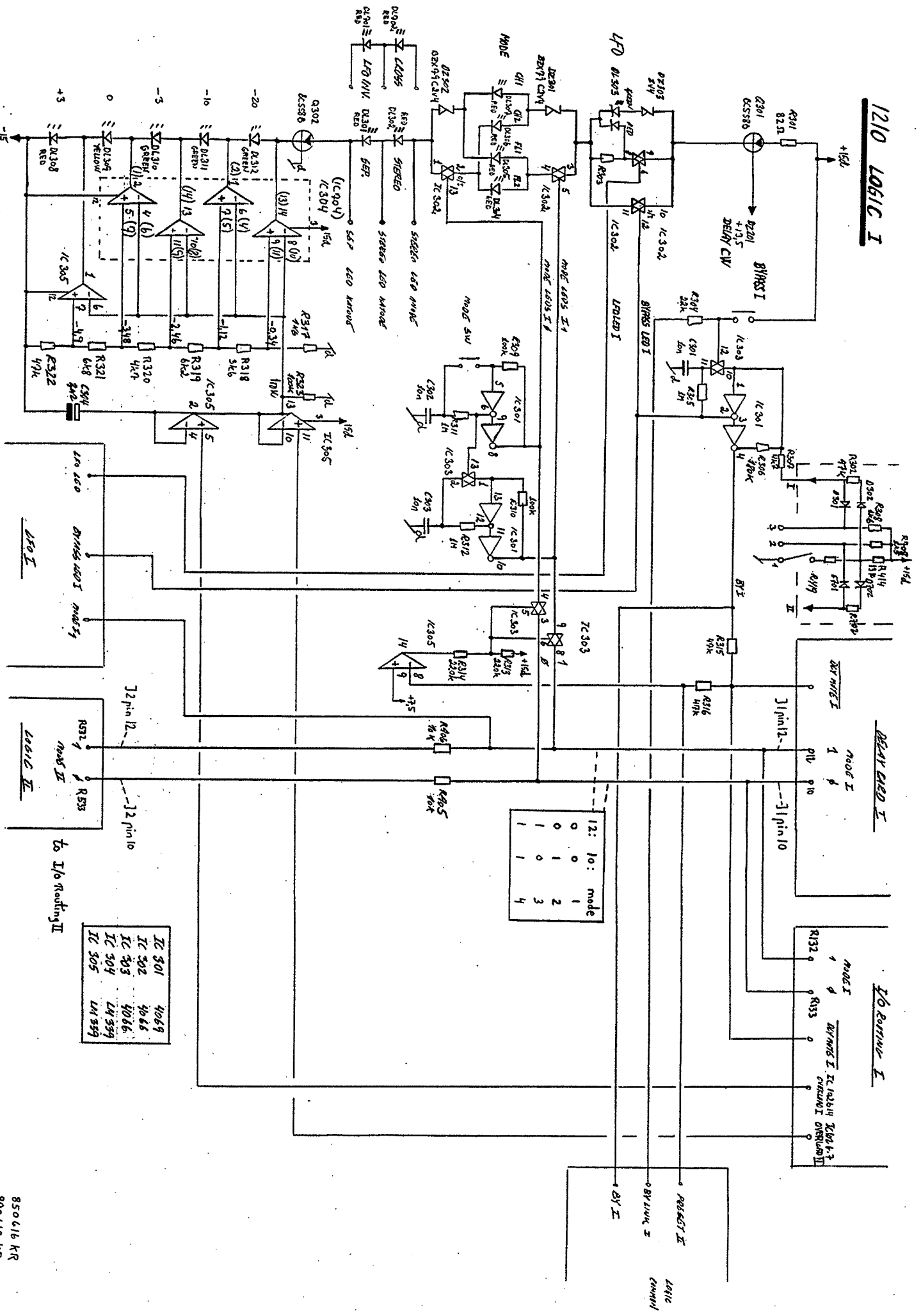
Boards 10/2
 9/30/15/K8

1210 LFO



850425 IVAR/KR
 890119 KB

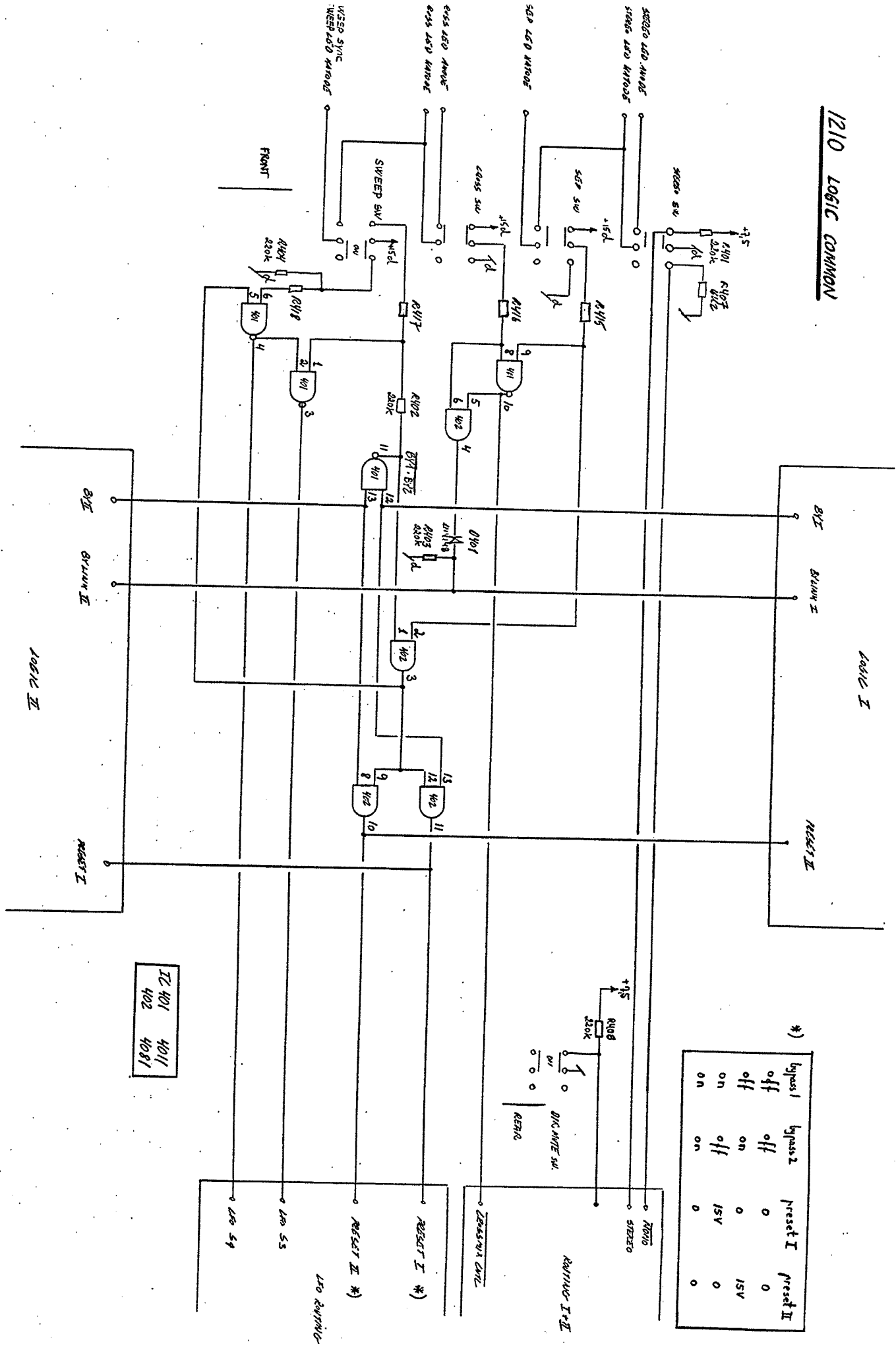
1210 LOGIC I



12:	10:	mode
0	0	1
0	1	2
1	0	3
1	1	4

IC 301	4069
IC 302	4066
IC 303	4066
IC 304	4066
IC 305	4066

1210 LOGIC COMMON



*)

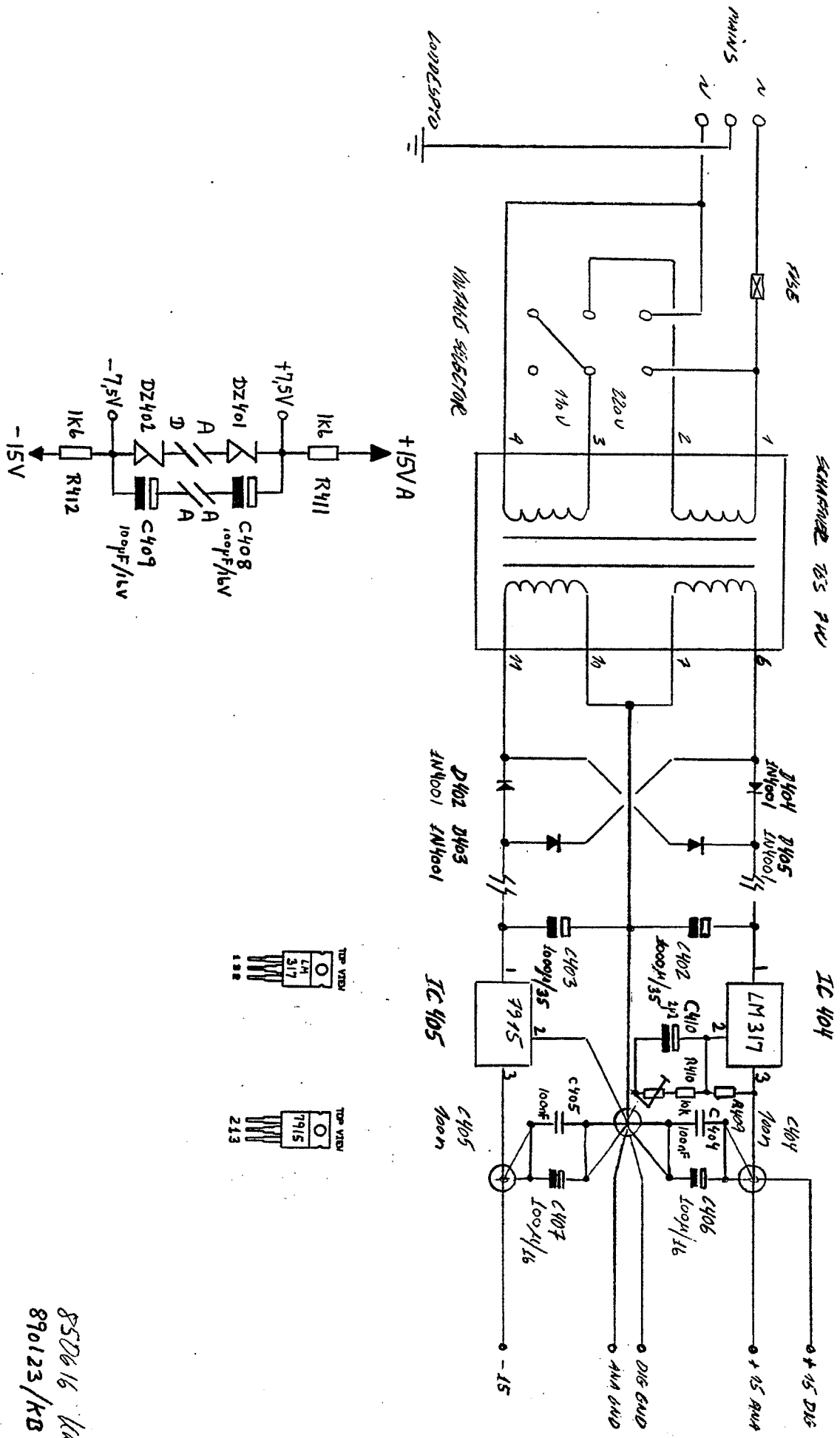
bypass 1	bypass 2	preset I	preset II
off	off	0	0
off	on	0	15V
on	off	15V	0
on	on	0	0

IC 401	4011
402	4081

850616 LIE
 850827 KIC/144C
 890118 KB
 and version 5

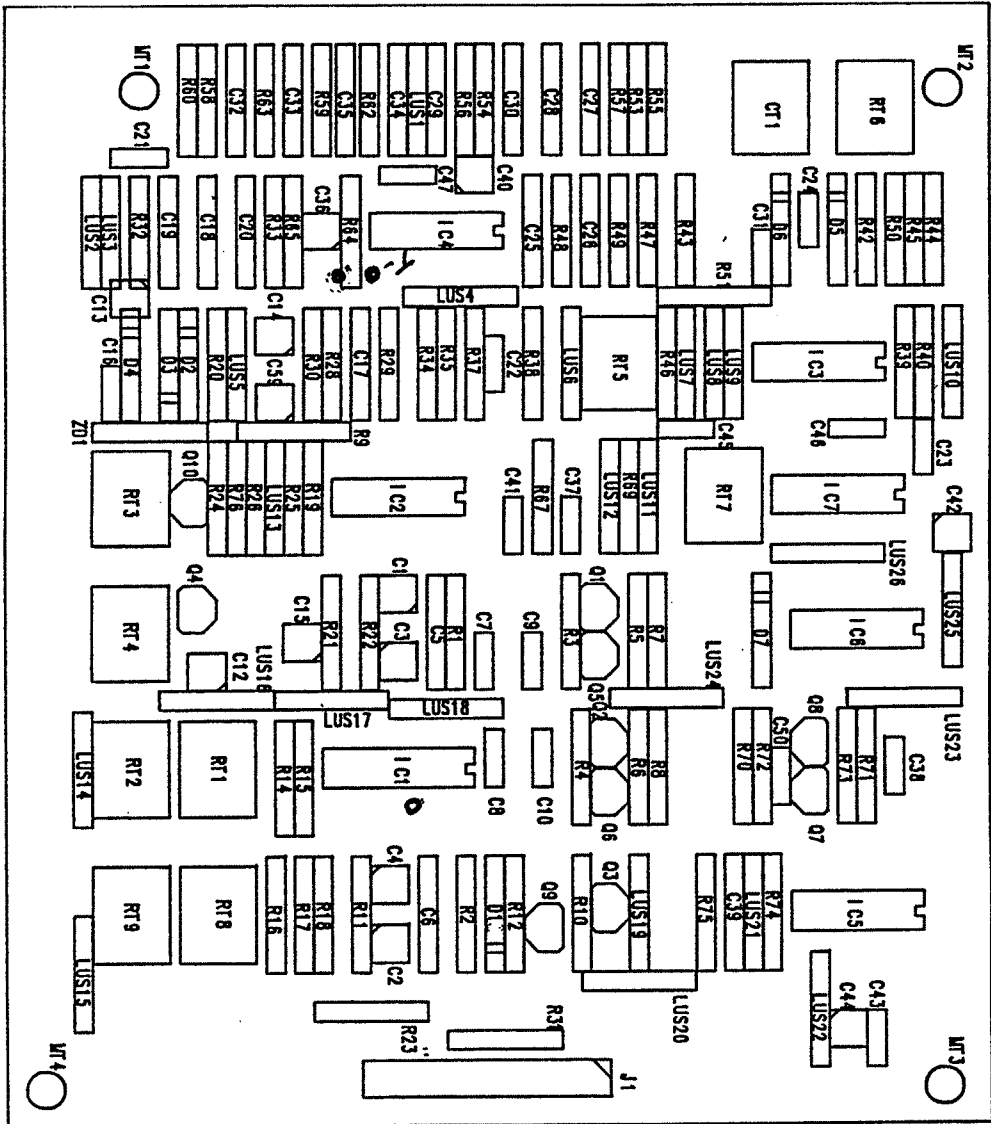
TC 2210

POWER SUPPLY



850616 WR
890123/RB

Delaycard



DIG GND
 DIG+5
 -15
 A GND
 Vcc in
 +15
 PPM out
 Dly mult
 Dly out
 Dly INV
 Dly IN
 Flange

PARTSLIST 2102-5, 1210 IN/OUT

PL-NO	TYPE	TCKDE	KOMPONENT	POS	TXT
R			1% B010K0-10K0	Z9	
R			1% B010K0-10K0	Z9	
R			1% B010K0-10K0	Z8	
R			1% B010K0-10K0	Z8	
R			1% B010K0-10K0	X8	
R			1% B5X010K-10K	Z9	
R			1% B5X003K3,3K0	Z9	
R			1% C5X001M-1M	Z8	
R			1% C5X001M-1M	X8	
R			1% B5X010K-10K	X6	
R			1% B5X006K8,6K8	Z3	
R			1% B5X006K8,6K8	Z2	
R			1% B5X006K8,6K8	Y4	
R			1% B5X003K0,3K0	Y3	
R			1% A5X430E-430E	Z2	
R			1% A487E--487E	Y3	
R			1% A487E--487E	Z3	
R			1% A487E--487E	Z6	
R			1% A5X047E-47E	X3	
R			1% B004K87,4K87	Z6	
R			1% B016K2-16K2	Z6	
R			1% B010K0-10K0	Z5	
R			1% B012K1-12K1	X5	
R			1% B5X010K-10K	X5	
R			1% B5X010K-10K	X4	
R			1% B5X022K-22K	X3	
R			1% B5X004K3,4K3	U4	
R			1% B5X003K0,3K0	U5	
R			1% B5X022K-22K	X5	
R			1% B5X220K-220K	X4	
R			1% B5X220K-220K	X4	
R			1% B004K87,4K87	X4	
R			1% A487E--487E	X4	
R			1% A487E--487E	X4	
R			1% A487E--487E	Z1	
R			1% A487E--487E	Z7	
R			1% B016K2-16K2	X7	
R			1% B016K2-16K2	X7	
R			1% B016K2-16K2	X5	
R			1% B5X220K-220K	X5	
R			1% B5X220K-220K	X4	
R			1% B5X220K-220K	X4	
R			1% B004K87,4K87	X4	
R			1% A487E--487E	X4	
R			1% A487E--487E	X4	
R			1% A487E--487E	X4	
R			1% B016K2-16K2	U6	
R			1% B016K2-16K2	U6	
R			1% B010K0-10K0	U7	
R			1% B016K2-16K2	U7	
R			1% B016K2-16K2	U7	
R			1% B016K2-16K2	U6	
R			1% B007K50,7K50	U6	
R			1% A5X100E-100	U7	
R			1% A5X100E-100	U7	
R			1% A5X100E-100	L8	

R	151	RESIST	1%B004K87,4K87	1%	V7
R	152	RESIST	1%B004K87,4K87	1%	V7
R	153	RESIST	1%B004K87,4K87	1%	X7
R	154	RESIST	1%B004K87,4K87	1%	Z7
R	155	RESIST	1%B010K0-,10K0	1%	V8
R	156	RESIST	1%B010K0-,10K0	1%	X8
R	157	RESIST	1%B010K0-,10K0	1%	X8
R	158	RESIST	1%B010K0-,10K0	1%	Z7
R	159	RESIST	1A5%047E-,47E		X7
R	160	RESIST	1A5%047E-,47E		V8
R	161	RESIST	1B5%220K-,220K		S4
R	162	RESIST	1B5%047K-,47K		X6
R	163	RESIST	1%B007K50,7K50	1%	S4
R	164	RESIST	1%B007K50,7K50	1%	S5
R	165	RESIST	1%B007K50,7K50	1%	R7
R	166	RESIST	1B5%047K-,47K		O7
R	167	RESIST	1B5%022K-,22K		R5
R	168	RESIST	not used		
R	169	RESIST	1B5%220K-,220K		O2
R	201	RESIST	1B5%068K-,68K		O2
R	202	RESIST	1B5%150K-,150K		J8
R	203	RESIST	1B5%075K-,75K		J8
R	204	RESIST	1B5%075K-,75K		J8
R	205	RESIST	1A5%680E-,680E		O6
R	206	RESIST	1A5%680E-,680E		R7
R	207	RESIST	1B5%004K7,4K7		S5
R	208	RESIST	1B5%003K0,3K0		S6
R	209	RESIST	1B5%150K-,150K		S7
R	210	RESIST	1B5%006K8,6K8		P1
R	211	RESIST	1A5%082E-,82E		R4
R	212	RESIST	1B5%150K-,150K		O2
R	213	RESIST	1B5%010K-,10K		O8
R	214	RESIST	1B5%010K-,10K		O7
R	215	RESIST	1%B010K5-,10K5	1%	O7
R	216	RESIST	1B5%180K-,180K		O7
R	217	RESIST	1B5%010K-,10K		U4
R	218	RESIST	1C5%001M-,1M		O1
R	219	RESIST	1C5%001M-,1M		O1
R	220	RESIST	1B5%068K-,68K		S5
R	221	RESIST	1C5%006M8,6M8		S6
R	222	RESIST	1B5%075K-,75K		S6
R	223	RESIST	1B5%004K3,4K3		O6
R	224	RESIST	1B5%006K2,6K2		O5
R	225	RESIST	1A5%680E-,680		O5
R	226	RESIST	1%B105K---,105K	1%	O4
R	227	RESIST	1%B105K---,105K	1%	O5
R	228	RESIST	1%B075K0-,75K0	1%	O6
R	229	RESIST	1%B075K0-,75K0	1%	O4
R	230	RESIST	1%B012K1-,12K1	1%	O4
R	231	RESIST	1%B012K1-,12K1	1%	O3
R	232	RESIST	1%B105K---,105K	1%	O3
R	233	RESIST	1%B105K---,105K	1%	O3
R	301	RESIST	1A5%082E-,82E		S1

R	302, RESIST	1B5%047K-, 47K	g7
R	303, RESIST	oo	g3
R	304, RESIST	1B5%022K-, 22K	g3
R	305, RESIST	1C5%001M-, 1M	g3
R	306, RESIST	1B5%180K-, 180K	g3
R	307, RESIST	1B5%004K7, 4K7	g7
R	308, RESIST	1B5%001K6, 1K6	g8
R	309, RESIST	1B5%100K-, 100K	g2
R	310, RESIST	1B5%100K-, 100K	g3
R	311, RESIST	1C5%001M-, 1M	g2
R	312, RESIST	1C5%001M-, 1M	g3
R	313, RESIST	1B5%220K-, 220K	g2
R	314, RESIST	1B5%220K-, 220K	g2
R	315, RESIST	1B5%047K-, 47K	g4
R	316, RESIST	1B5%047K-, 47K	g4
R	317, RESIST	1B5%001K6, 1K6	g3
R	318, RESIST	1B5%003K6, 3K6	g3
R	319, RESIST	1B5%006K2, 6K2	g3
R	320, RESIST	1B5%004K7, 4K7	g2
R	321, RESIST	1B5%006K8, 6K8	g2
R	322, RESIST	1B5%047K-, 47K	g2
R	323, RESIST	1B5%100K-, 100K	g1
R	324, RESIST	not used	g1
R	401, RESIST	1B5%220K-, 220K	g0
R	402, RESIST	1B5%220K-, 220K	g3
R	403, RESIST	1B5%220K-, 220K	g3
R	404, RESIST	1B5%220K-, 220K	g3
R	405, RESIST	1B5%010K-, 10K	g7
R	406, RESIST	1B5%010K-, 10K	g7
R	407, RESIST	1%B016K2-, 16K2 1%	g7
R	408, RESIST	1B5%220K-, 220K	g4
R	409, RESIST	1%B001K05, 1K05 1%	g2
R	410, RESIST	1%B010K0-, 10K0 1%	g2
R	411, RESIST	1B5%001K6, 1K6	g1
R	412, RESIST	1B5%001K6, 1K6	g1
R	413, RESIST	1A5%004E7, 4E7	g9
R	414, RESIST	1B5%013K-, 13K	g7
R	415, RESIST	1B5%022K-, 22K	g2
R	416, RESIST	1B5%022K-, 22K	g2
R	417, RESIST	1B5%022K-, 22K	g2
R	418, RESIST	1B5%022K-, 22K	g2
R	419, RESIST	1B5%001K6, 1K6	g9
R	501, RESIST	1%B010K0-, 10K0 1%	g8
R	502, RESIST	1%B010K0-, 10K0 1%	g8
R	503, RESIST	1%B010K0-, 10K0 1%	g8
R	504, RESIST	1%B010K0-, 10K0 1%	g8
R	505, RESIST	1B5%010K-, 10K	g8
R	506, RESIST	1B5%003K3, 3K0	g9
R	507, RESIST	1C5%001M-, 1M	g8
R	508, RESIST	1C5%001M-, 1M	g8
R	509, RESIST	1B5%010K-, 10K	g7
R	510, RESIST	1B5%013K-, 13K	g7
R	511, RESIST	1A5%082E-, 82E	g6
R	512, RESIST	1B5%010K-, 10K	g7

tidligere R324.

06	R	513	RESIST	1B5%06KB, 6K8
N3	R	514	RESIST	1B5%06KB, 6K8
M3	R	515	RESIST	1A5%430E-, 430E
N2	R	517	RESIST	1A5%430E-, 430E
M3	R	516	RESIST	1B5%003K0, 3K0
M3	R	518	RESIST	1A487E---, 487E
M3	R	519	RESIST	1A487E---, 487E
O5	R	520	RESIST	1A487E---, 487E
M2	R	521	RESIST	1A5%047E-, 47E
N5	R	522	RESIST	1%B004KB7, 4KB7
O6	R	523	RESIST	1%B016K2-, 16K2
O5	R	524	RESIST	1%B010K0-, 10K0
M6	R	525	RESIST	1%B012K1-, 12K1
M5	R	526	RESIST	1B5%010K-, 10K
M5	R	527	RESIST	1B5%010K-, 10K
M5	R	528	RESIST	1B5%022K-, 22K
M5	R	529	RESIST	1B5%004K3, 4K3
K5	R	530	RESIST	1B5%003K0, 3K0
M5	R	531	RESIST	1B5%022K-, 22K
M4	R	532	RESIST	1B5%220K-, 220K
M4	R	533	RESIST	1B5%220K-, 220K
M5	R	534	RESIST	1%B004KB7, 4KB7
M4	R	535	RESIST	1A487E---, 487E
M4	R	536	RESIST	1A487E---, 487E
M6	R	537	RESIST	1A487E---, 487E
K7	R	538	RESIST	1%B016K2-, 16K2
L7	R	539	RESIST	1%B016K2-, 16K2
	R	540	RESIST	, 00
L4	R	541	RESIST	1B5%220K-, 220K
K6	R	542	RESIST	1%B016K2-, 16K2
K6	R	543	RESIST	1%B016K2-, 16K2
K7	R	544	RESIST	1%B010K0-, 10K0
K7	R	545	RESIST	1%B010K0-, 10K0
K6	R	546	RESIST	1%B016K2-, 16K2
K6	R	547	RESIST	1%B016K2-, 16K2
K6	R	548	RESIST	1%B007K50, 7K50
M8	R	549	RESIST	1A5%100E-, 100
K7	R	550	RESIST	1A5%100E-, 100
R8	R	551	RESIST	1%B004KB7, 4KB7
R8	R	552	RESIST	1%B004KB7, 4KB7
S7	R	553	RESIST	1%B004KB7, 4KB7
U8	R	554	RESIST	1%B004KB7, 4KB7
R8	R	555	RESIST	1%B010K0-, 10K0
R8	R	556	RESIST	1%B010K0-, 10K0
S8	R	557	RESIST	1%B010K0-, 10K0
U8	R	558	RESIST	1%B010K0-, 10K0
S7	R	559	RESIST	1A5%047E-, 47E
R8	R	560	RESIST	1A5%047E-, 47E
K4	R	561	RESIST	1B5%220K-, 220K
M7	R	562	RESIST	1B5%047K-, 47K
I4	R	563	RESIST	1%B007K50, 7K50
I5	R	564	RESIST	1%B007K50, 7K50
U7	R	565	RESIST	1%B007K50, 7K50
U7	R	566	RESIST	1B5%047K-, 47K

indført a.h.t. logiktest

'02	'R	'567,RESIST	'1B5%022K-,22K	'02
'06	'R	'568,RESIST	'not used	'06
'06	'R	'569,RESIST	'1B5%220K-,220K	'06
'C0	'R	'601,RESIST	'1B5%068K-,68K	'C0
'18	'R	'602,RESIST	'1B5%150K-,150K	'18
'18	'R	'603,RESIST	'1B5%075K-,75K	'18
'18	'R	'604,RESIST	'1B5%075K-,75K	'18
'16	'R	'605,RESIST	'1A5%680E-,680E	'16
'16	'R	'606,RESIST	'1A5%680E-,680E	'16
'15	'R	'607,RESIST	'1B5%004K7,4K7	'15
'G3	'R	'608,RESIST	'1B5%003K0,3K0	'G3
'G3	'R	'609,RESIST	'1B5%150K-,150K	'G3
'F5	'R	'610,RESIST	'1B5%006K8,6K8	'F5
'H5	'R	'611,RESIST	'1A5%082E-,82E	'H5
'F4	'R	'612,RESIST	'1B5%150K-,150K	'F4
'G4	'R	'613,RESIST	'1B5%010K-,10K	'G4
'G3	'R	'614,RESIST	'1B5%010K-,10K	'G3
'F4	'R	'615,RESIST	'1%B010K5-,10K5 1%	'F4
'F3	'R	'616,RESIST	'1B5%180K-,180K	'F3
'G3	'R	'617,RESIST	'1B5%010K-,10K	'G3
'J2	'R	'618,RESIST	'1C5%001M-,1M	'J2
'G1	'R	'619,RESIST	'1C5%001M-,1M	'G1
'15	'R	'620,RESIST	'1B5%068K-,68K	'15
'G3	'R	'621,RESIST	'1C5%006M8,6M8	'G3
'16	'R	'622,RESIST	'1B5%075K-,75K	'16
'F2	'R	'623,RESIST	'1B5%004K3,4K3	'F2
'F2	'R	'624,RESIST	'1B5%006K2,6K2	'F2
'G5	'R	'625,RESIST	'1A5%680E-,680	'G5
'G5	'R	'626,RESIST	'1B105K---,105K 1%	'G5
'G6	'R	'627,RESIST	'1B105K---,105K 1%	'G6
'G6	'R	'628,RESIST	'1B075K0-,75K0 1%	'G6
'G6	'R	'629,RESIST	'1B075K0-,75K0 1%	'G6
'G6	'R	'630,RESIST	'1%B012K1-,12K1 1%	'G6
'G5	'R	'631,RESIST	'1%B012K1-,12K1 1%	'G5
'G4	'R	'632,RESIST	'1B105K---,105K 1%	'G4
'G4	'R	'633,RESIST	'1B105K---,105K 1%	'G4
'B1	'R	'701,RESIST	'1A5%082E-,82E	'B1
'G6	'R	'702,RESIST	'1B5%047K-,47K	'G6
'G6	'R	'703,RESIST	'00	'G6
'K3	'R	'704,RESIST	'1B5%022K-,22K	'K3
'13	'R	'705,RESIST	'1C5%001M-,1M	'13
'13	'R	'706,RESIST	'1B5%180K-,180K	'13
'14	'R	'707,RESIST	'1B5%004K7,4K7	'14
'H8	'R	'708,RESIST	'1B5%001K6,1K6	'H8
'12	'R	'709,RESIST	'1B5%100K-,100K	'12
'13	'R	'710,RESIST	'1B5%100K-,100K	'13
'12	'R	'711,RESIST	'1C5%001M-,1M	'12
'13	'R	'712,RESIST	'1C5%001M-,1M	'13
'K3	'R	'713,RESIST	'1B5%220K-,220K	'K3
'K3	'R	'714,RESIST	'1B5%220K-,220K	'K3
'03	'R	'715,RESIST	'1B5%047K-,47K	'03
'03	'R	'716,RESIST	'1B5%047K-,47K	'03
'K2	'R	'717,RESIST	'1B5%001K6,1K6	'K2

C	, 112, MKT	, 34-B100N+, 100N	20%	, U5
C	, 113, ELLYT	, 3815022U-, 22U/16		, V5
C	, 114, ELLYT	, 3815022U-, 22U/16		, Y1
C	, 115, ELLYT	, 3815022U-, 22U/16		, T6
C	, 116,	, 1us		, X6
C	, 117, MKT	, 34-B004N7, 4N7	10%	, U5
C	, 118, MKT	, 34-B004N7, 4N7	10%	, U5
C	, 119, CERAM	, 31-A100P-, 100P	2%	, Z7
C	, 120, CERAM	, 31-A100P-, 100P	2%	, Y8
C	, 121, CERAM	, 31-B001N5, 1N5	10%	, Z6
C	, 122, ELLYT	, 3815022U-, 22U/16		, T7
C	, 123, CERAM	, 31-B002N7, 2N7	10%	, Z5
C	, 124, ELLYT	, 3815022U-, 22U/16		, Y7
C	, 125, MKT	, 34-B010N-, 10N	10%	, S4
C	, 126, ELLYT	, 3815022U-, 22U/16		, X6
C	, 201, ELLYT	, 3815022U-, 22U/16		, P1
C	, 202, CERAM	, 31-B002N7, 2N7	10%	, Q8
C	, 203, CERAM	, 31-B010N-, 10N	50%	, S6
C	, 301, CERAM	, 31-B010N-, 10N	50%	, R2
C	, 302, CERAM	, 31-B010N-, 10N	50%	, T2
C	, 303, CERAM	, 31-B010N-, 10N	50%	, R4
C	, 304, ELLYT	, 3815002U2, 2U2/16V		, V2
C	, 401, TANTAL	, 00		, C3
C	, 402, ELLYT	, 383S1000U, 1000U/35		, C3
C	, 403, ELLYT	, 383S1000U, 1000U/35		, D3
C	, 404, MKT	, 34-B100N-, 100N	20%	, C1
C	, 405, MKT	, 34-B100N-, 100N	20%	, B1
C	, 406, ELLYT	, 3815100-U, 100U/16		, C1
C	, 407, ELLYT	, 3815100-U, 100U/16		, C1
C	, 408, ELLYT	, 3815100-U, 100U/16		, Z1
C	, 409, ELLYT	, 3815100-U, 100U/16		, F1
C	, 410, ELLYT	, 3815002U2, 2U2/16		, B2
C	, 501, ELLYT	, 3815002U2, 2U2/25		, V9
C	, 502, ELLYT	, 3815002U2, 2U2/25		, S9
C	, 503, CERAM	, 31-A100P-, 100P	2%	, V8
C	, 504, CERAM	, 31-A100P-, 100P	2%	, T8
C	, 505, CERAM	, 31-A680P-, 680P	10%	, N3
C	, 506, CERAM	, 31-B002N7, 2N7	10%	, N3
C	, 507, MKT	, 34-B022N-, 22N	10%	, N2
C	, 508, ELLYT	, 3815022U-, 22U/16		, K0
C	, 509, MKT	, 34-B047N+, 47N	10%	, D6
C	, 510, ELLYT	, 3815022U-, 22U/16		, M2
C	, 511, ELLYT	, 35-C04U7-, 4U7/16		, O5
C	, 512, MKT	, 34-B100N+, 100N	20%	, K4
C	, 513, ELLYT	, 3815022U-, 22U/16		, L5
C	, 514, ELLYT	, 3815022U-, 22U/16		, K0
C	, 515, ELLYT	, 3815022U-, 22U/16		, J6
C	, 516, MKT	, 1us		, L7
C	, 517, MKT	, 34-B004N7, 4N7	10%	, L7
C	, 518, MKT	, 34-B004N7, 4N7	10%	, K5
C	, 519, CERAM	, 31-A100P-, 100P	2%	, T7
C	, 520, CERAM	, 31-A100P-, 100P	2%	, T8

Low leakage

DL ; 708; LED ; 9-2; 5X5R0; 2.5x5 RED ; HO ; PPM + 3dB

DL ; 709; LED ; 9-2; 5X5G0; 2.5x5 YELLOW ; IO ; PPM + 0dB

DL ; 710; LED ; 9-2; 5X5GR; 2.5x5 GREEN ; IO ; PPM - 3dB

DL ; 711; LED ; 9-2; 5X5GR; 2.5x5 GREEN ; IO ; PPM - 10dB

DL ; 712; LED ; 9-2; 5X5GR; 2.5x5 GREEN ; JO ; PPM - 20dB

DZ ; 201; ZENER ; 9-03R0D-1; 03 1V5 R0D ; DO ;

DZ ; 301; ZENER ; 9-03R0D-1; 03 1V5 R0D ; SO ;

DZ ; 302; ZENER ; 9-03R0D-1; 03 1V5 R0D ; SO ;

DZ ; 303; ZENER ; 9-03R0D-1; 03 1V5 R0D ; S1 ;

DZ ; 401; ZENER ; 42-C007V5; BZX79 C7V5 ; Z1 ;

DZ ; 402; ZENER ; 42-C007V5; BZX79 C7V5 ; E1 ;

DZ ; 601; ZENER ; 9-03R0D-1; 03 1V5 R0D ; A1 ;

DZ ; 701; ZENER ; 9-03R0D-1; 03 1V5 R0D ; E0 ;

DZ ; 702; ZENER ; 9-03R0D-1; 03 1V5 R0D ; E0 ;

DZ ; 703; ZENER ; 9-03R0D-1; 03 1V5 R0D ; DO ;

0 ; 201; TRANS ; 5-BC547B-; BC 547 B NPN ; O1 ;

0 ; 202; TRANS ; 5-BC547B-; BC 547 B NPN ; P1 ;

0 ; 301; TRANS ; 5-BC557B-; BC 557 B PNP ; T1 ;

0 ; 302; TRANS ; 5-BC557B-; BC 557 B PNP ; Y1 ;

0 ; 601; TRANS ; 5-BC547B-; BC 547 B NPN ; F4 ;

0 ; 602; TRANS ; 5-BC547B-; BC 547 B NPN ; E1 ;

0 ; 701; TRANS ; 5-BC557B-; BC 557 B PNP ; B0 ;

0 ; 702; TRANS ; 5-BC557B-; BC 557 B PNP ; J0 ;

IC ; 101; LINEAR ; 72-TL-074; TL074 ; Y8 ;

IC ; 102; LINEAR ; 72-TL-074; TL074 ; Y4 ;

IC ; 103; LINEAR ; 72-TL-074; TL074 ; V6 ;

IC ; 104; CMOS ; 60-C4052-; 4052 ; V4 ;

IC ; 105; CMOS ; 60-C4053-; 4053 ; V6 ;

IC ; 106; CMOS ; 60-C4053-; 4053 ; T4 ;

IC ; 201; LINEAR ; 72-LM-324; LM324 ; P7 ;

IC ; 202; LINEAR ; 72-LM-324; LM324 ; R6 ;

IC ; 203; ARRAY ; 72-LM3086; LM3086 ; R4 ;

IC ; 301; CMOS ; 60-C4069-; 4069 UB ; T3 ;

IC ; 302; CMOS ; 60-C4066-; 4066 ; R1 ;

IC ; 303; CMOS ; 60-C4066-; 4066 ; R3 ;

IC ; 304; LINEAR ; 72-LM-339; LM339 ; V1 ;

IC ; 305; LINEAR ; 72-LM-339; LM339 ; V3 ;

IC ; 401; CMOS ; 60-C4011-; 4011 ; P2 ;

IC ; 402; CMOS ; 60-C4081-; 4081 ; P4 ;

IC ; 403; CMOS ; 60-C4066-; 4066 ; P6 ;

IC ; 404; SP; REG ; 71-LM-317; LM317 ; B3 ;

IC ; 405; SP; REG ; 71-7915-; 7915 ; B3 ;

IC ; 501; LINEAR ; 72-TL-074; TL074 ; T8 ;

IC ; 502; LINEAR ; 72-TL-074; TL074 ; N4 ;

IC ; 503; LINEAR ; 72-TL-074; TL074 ; L6 ;

IC ; 504; CMOS ; 60-C4052-; 4052 ; L4 ;

IC ; 505; CMOS ; 60-C4053-; 4053 ; N6 ;

IC ; 506; CMOS ; 60-C4053-; 4053 ; J4 ;

IC ; 601; LINEAR ; 72-LM-324; LM324 ; F3 ;

IC ; 602; LINEAR ; 72-LM-324; LM324 ; H6 ;

IC ; 603; ARRAY ; 72-LM3086; LM3086 ; H5 ;

IC ; 701; CMOS ; 60-C4069-; 4069 UB ; J3 ;

IC ; 702; CMOS ; 60-C4066-; 4066 ; H1 ;

```

IC ,703,CMD5 ,60-C4066-,4066
IC ,704,LINEAR ,72-LM-339,LM339
IC ,705,LINEAR ,72-LM-339,LM339
ICJ ,201,SOCKET ,C-IC50K14,
ICJ ,601,SOCKET ,C-IC50K14,
J ,1 ,HEADER ,CHS25-12P,
J ,2 ,HEADER ,CHS25-12P,
FUJ ,1 ,FUSEH. ,D-SIKH-5-,FUSE HOLDER ,68 ,
S ,1 ,SWITCH ,G-TRVK--3,BYPASS 1
S ,2 ,SWITCH ,G-TRVK--3,MODE 1
S ,3 ,SWITCH ,G-TRVK--3,STEREO INPUT
S ,4 ,SWITCH ,G-TRVK--3,SEP. INPUTS
S ,5 ,SWITCH ,G-TRVK--3,CROSS OFF
S ,6 ,SWITCH ,G-TRVK--3,SWEEP SYNC.
S ,7 ,SWITCH ,G-TRVK--3,BYPASS 2
S ,8 ,SWITCH ,G-TRVK--3,MODE 2
S ,9 ,SWITCH ,G-TRVK--3,DIR. MUTE
T ,1 ,XLR ,C-XLR-04F,IN 1
T ,2 ,XLR ,C-XLR-04F,IN 2
T ,3 ,XLR ,C-XLR-03M,OUT 1
T ,4 ,XLR ,C-XLR-03M,OUT 2
T ,5 ,JACK ,C-JACK-01,INPUT 1
T ,6 ,JACK ,C-JACK-01,INPUT 2
T ,7 ,JACK ,C-JACK-01,OUTPUTS 1
T ,8 ,JACK ,C-JACK-01,OUTPUTS 2
T ,9 ,JACK ,C-JACK-01,EX.SPEED
T ,10 ,JACK ,C-JACK-01,EX.BYPASS
TR ,1 ,TRAF0 ,A-TRAF0-2,1210 (3712) ,C6 ,2X110/4X9 13W
X1 ,plus H-EXTEND1 OG H-EXTEND2
U1 ,plus H-EXTEND1 OG H-EXTEND2
O1 ,plus H-EXTEND1 OG H-EXTEND2
N1 ,plus H-EXTEND1 OG H-EXTEND2
M1 ,plus H-EXTEND1 OG H-EXTEND2
L1 ,plus H-EXTEND1 OG H-EXTEND2
I1 ,plus H-EXTEND1 OG H-EXTEND2
F1 ,plus H-EXTEND1 OG H-EXTEND2
K8 ,UDEN extendere
Y9 ,
V9 ,
T9 ,
R9 ,
P9 ,
Q9 ,
N9 ,
L9 ,
J9 ,
H9 ,
C ,126,ELLYT ,381S022U-,22U/16
C ,526,ELLYT ,381S022U-,22U/16
R ,167,RESIST ,185%022K-,22K
R ,324,RESIST ,not used
R ,414,RESIST ,185%013K-,13K
R ,415,RESIST ,185%022K-,22K
R ,416,RESIST ,185%022K-,22K
R ,417,RESIST ,185%022K-,22K
R ,418,RESIST ,185%022K-,22K
R ,419,RESIST ,185%001K6,1K6
R ,567,RESIST ,185%022K-,22K
R ,724,RESIST ,not used

```

Summation af stykklistenændringer fra 2102-3 til 4

PARTSLIST 2101-08, 1210 BUCKET PM

-----PL--NO--TYPE--TKODE--KOMPONENT--TXT-----

R	1	MODST	1B5%007K5,7K5	
R	2	MODST	1B5%007K5,7K5	
R	3	MODST	1B5%150K-,150K	
R	4	MODST	1B5%150K-,150K	
R	5	MODST	1B5%022K-,22K	
R	6	MODST	1B5%022K-,22K	
R	7	MODST	1B5%001K0,1K0	
R	8	MODST	1B5%001K0,1K0	
R	9	MODST	1B5%007K5,7K5	
R	10	MODST	1B5%330K-,330K	
R	11	MODST	1B5%015K-,15K	
R	12	MODST	1B5%620K-,620K	
R	13	MODST	not used	
R	14	MODST	1B5%330K-,330K	
R	15	MODST	1B5%330K-,330K	
R	16	MODST	1B5%330K-,330K	
R	17	MODST	1B5%330K-,330K	
R	18	MODST	1B5%015K-,15K	
R	19	MODST	1C5%002M2,2M2	
R	20	MODST	1B5%007K5,7K5	
R	21	MODST	1B5%022K-,22K	
R	22	MODST	1B5%015K-,15K	
R	23	MODST	1C5%002M2,2M2	
R	24	MODST	1%B031K6-,31K6	1%
R	25	MODST	1%B031K6-,31K6	1%
R	26	MODST	1%B031K6-,31K6	1%
R	27	MODST	not used	
R	28	MODST	1%B003K65,3K65	1%
R	29	MODST	1%B007K50,7K50	1%
R	30	MODST	1B5%001K0,1K0	
R	31	MODST	1B5%330K-,330K	
R	32	MODST	1B5%012K1,12K1	1%
R	33	MODST	1%B001K40,1K40	1%
R	34	MODST	1B5%007K5,7K5	
R	35	MODST	1B5%007K5,7K5	
R	36	MODST	not used	
R	37	MODST	1B5%003K3,3K3	
R	38	MODST	1B5%003K3,3K3	
R	39	MODST	1B5%015K-,15K	
R	40	MODST	1B5%001K0,1K	
R	41	MODST	not used	
R	42	MODST	1B5%022K-,22K	
R	43	MODST	1B5%022K-,22K	
R	44	MODST	1B5%003K3,3K3	
R	45	MODST	1B5%003K3,3K3	
R	46	MODST	1%B075K0-,75K0	1%
R	47	MODST	1%B075K0-,75K0	1%
R	48	MODST	1%B105K--,105K	1%
R	49	MODST	1%B105K--,105K	1%
R	50	MODST	1B5%002K7,2K7	
R	51	MODST	1B5%330K-,330K	
R	52	MODST	00	
R	53	MODST	1%B003K32,3K32	1%
R	54	MODST	1%B006K81,6K81	1%
R	55	MODST	1B5%001K0,1K0	
R	56	MODST	1%B031K6-,31K6	1%

C	1, ELLY	381S022U, 22UF	19V
C	2, ELLY	381S022U, 22UF	19V
C	3, ELLY	381S022U, 22UF	19V
C	4, ELLY	381S022U, 22UF	19V
C	5, STYRD	32-B001N5, 1n5	2%
C	6, STYRD	32-B001N5, 1n5	2%
C	7, POLY	34-B220N+, 220nF	10%
C	8, POLY	34-B220N+, 220nF	10%
C	9, POLY	34-B680N+, 680nF	10%
C	10, POLY	34-B680N+, 680nF	10%
C	11, not used		
C	12, ELLY	381S004U7, 4u7	19V
C	13, TANTAL	35*B00U22, 22UF	35V
C	14, ELLY	381S047U-, 47uF	19V
C	15, ELLY	381S004U7, 4u7	19V
C	16, PLAD	31-B022N-, 22nF	50%
C	17, STYRD	32-B002N7, 2n7	2%
C	18, STYRD	32-B001N0, 1n0	2%
C	19, STYRD	32-B001N5, 1n5	2%
C	20, STYRD	32-B002N7, 2n7	2%
C	21, PLAD	31-A180P-, 180pF	10%
C	22, PLAD	31-A033P-, 33pF	
C	23, PLAD	31-B022N-, 22nF	50%
C	24, PLAD	31-A010P-, 10P	
C	25, STYRD	32-A220P-, 220pF	2%
C	26, STYRD	32-A220P-, 220pF	2%
C	27, STYRD	32-B002N7, 2n7	2%
C	28, STYRD	32-A220P-, 470pF	2%
RT	1, TRIMMER	ZHLB022K-, 22K	
RT	2, TRIMMER	ZHLB022K-, 22K	
RT	3, TRIMMER	ZHLB002K2, 2K2	
RT	4, TRIMMER	ZHLB022K-, 22K	
RT	5, TRIMMER	ZHLB022K-, 22K	
RT	6, TRIMMER	ZHLB022K-, 2K2	
RT	7, TRIMMER	ZHLB002K2, 2K2	
RT	8, TRIMMER	ZHLB022K-, 22K	
RT	9, TRIMMER	ZHLB022K-, 22K	
RT	10, TRIMMER	ZHLB047K-, 47K	
R	57, MODST	1%B001K10, 1K10	1%
R	58, MODST	1%B005K11, 5K11	1%
R	59, MODST	1%B010K0-, 10K0	1%
R	60, MODST	1B5%001K0, 1K0	
R	61, MODST		not used
R	62, MODST	1%B005K36, 5K36	1%
R	63, MODST	1%B002K49, 2K49	1%
R	64, MODST	1B5%027K-, 27K	
R	65, MODST	1B5%022K-, 22K	
R	66, MODST		not used
R	67, MODST	1B5%330K-, 330K	
R	68, MODST		oo
R	69, MODST	1B5%068K-, 68K	
R	70, MODST	1B5%001K0, 1K0	
R	71, MODST	1%B715K--, 715K	1%
R	72, MODST	1%B012K1-, 12K1	1%
R	73, MODST	1B5%007K5, 7K5	
R	74, MODST	1B5%200K-, 200K	
R	75, MODST	1B5%680K-, 680K	
R	76, MODST	1B5%047K-, 47K	

29	STYRD	32-B002N2	2n2	2%
30	STYRD	32-B002N7	2n7	2%
31	PLAD	31-A001P-	1pF	2%
32	STYRD	32-B002N7	2n7	2%
33	STYRD	32-A560P-	560pF	2%
34	STYRD	32-B002N2	2n2	2%
35	STYRD	32-B002N7	2n7	2%
36	ELLYT	3815022U-	22u	16V
37	PLAD	31-A470P-	470pF	20%
38	PLAD	31-A033P-	33pF	2%
39	STYRD	32-A470P-	470pF	2%
40	TANTAL	35*C10U--	10uF	16V
41	PLAD	31-B022N-	22nF	50%
42	TANTAL	35*C10U--	10uF	16V
43	POLY	34-B220N+	220nF	10%
44	TANTAL	35*C10U--	10uF	16V
45	PLAD	31-A002P2	2p2	
46	PLAD	31-A002P2	2p2	
47	PLAD	31-B022N-	22nF	50%
48	PLAD			not used
49	PLAD			not used
50	PLAD	31-B022N-	22nF	50%
59	ELLYT	3815022U-	22uF	16V
CT	1	TRIMCAP	30-A2-22P	22-22P 07.5
D	1	DIODE	4D-IN4148	IN4148
D	2	DIODE	4D-IN4148	IN4148
D	3	DIODE	4D-IN4148	IN4148
D	4	DIODE	4D-IN4148	IN4148
D	5	DIODE	4D-IN4148	IN4148
D	6	DIODE	4D-IN4148	IN4148
D	7	DIODE	4D-IN4148	IN4148
D	8	TRANS	5-BC547B-	BC 548 B NPN
D	9	TRANS	5-BC547B-	BC 548 B NPN
D	10	FET	5-BF245A-	BF 245 A NCH
IC	1	LINEAR	72-LM-571	NE 570
IC	2	LINEAR	72-TL-074	TL 074
IC	3	BUCKET	72-MN3010	TDA 2110
IC	4	LINEAR	72-TL-074	TL 074
IC	5	CMOS	60-C4007-	4007 UBP
IC	6	CMOS	60-C4013-	4013 BP
IC	7	CMOS	60-C4069-	4069 UBP
ICJ	1	SOCKET	C-IC50K16	
J	1	SILSTIK	C*FATN*12	12 POL HUN TE
PJ	1	LUS	19-LUS-00	OE MODSTAND

MP	1, STAG	'K-STØTTE4, 22 MM LANG
MP	2, STAG	'K-STØTTE4, 22 MM LANG
MP	3, STAG	'K-STØTTE4, 22 MM LANG
MP	4, STAG	'K-STØTTE4, 22 MM LANG
MP	5, SKRUE	'J5-3/8X06, 3/8 X6 PNF-X
MP	6, SKRUE	'J5-3/8X06, 3/8 X6 PNF-X
MP	7, SKRUE	'J5-3/8X06, 3/8 X6 PNF-X
MP	8, SKRUE	'J5-3/8X06, 3/8 X6 PNF-X
PCB	1, PRINT	'PCB2101-8, 1210 BUCKETPM
W	1, LEDNING	'E-LED-401, 1L SKFRM
ICJ	1, IC-SOKL	'8-IC50K16, 16 POL
PJ	2, LUS	'19-LUS-00, 0E MODSTAND
PJ	3, LUS	'19-LUS-00, 0E MODSTAND
PJ	4, LUS	'19-LUS-00, 0E MODSTAND
PJ	5, LUS	'19-LUS-00, 0E MODSTAND
PJ	6, LUS	'19-LUS-00, 0E MODSTAND
PJ	7, LUS	'19-LUS-00, 0E MODSTAND
PJ	8, LUS	'19-LUS-00, 0E MODSTAND
PJ	9, LUS	'19-LUS-00, 0E MODSTAND
PJ	10, LUS	'19-LUS-00, 0E MODSTAND
PJ	11, LUS	'19-LUS-00, 0E MODSTAND
PJ	12, LUS	'19-LUS-00, 0E MODSTAND
PJ	13, LUS	'19-LUS-00, 0E MODSTAND
PJ	14, LUS	'19-LUS-00, 0E MODSTAND
PJ	15, LUS	'19-LUS-00, 0E MODSTAND
PJ	16, LUS	'19-LUS-00, 0E MODSTAND
PJ	17, LUS	'19-LUS-00, 0E MODSTAND
PJ	18, LUS	'19-LUS-00, 0E MODSTAND
PJ	19, LUS	'19-LUS-00, 0E MODSTAND
PJ	20, LUS	'19-LUS-00, 0E MODSTAND
PJ	21, LUS	'19-LUS-00, 0E MODSTAND
PJ	22, LUS	'19-LUS-00, 0E MODSTAND
PJ	23, LUS	'19-LUS-00, 0E MODSTAND
PJ	24, LUS	'19-LUS-00, 0E MODSTAND
PJ	25, LUS	'19-LUS-00, 0E MODSTAND
PJ	26, LUS	'19-LUS-00, 0E MODSTAND
PJ	27, LUS	'19-LUS-00, 0E MODSTAND

