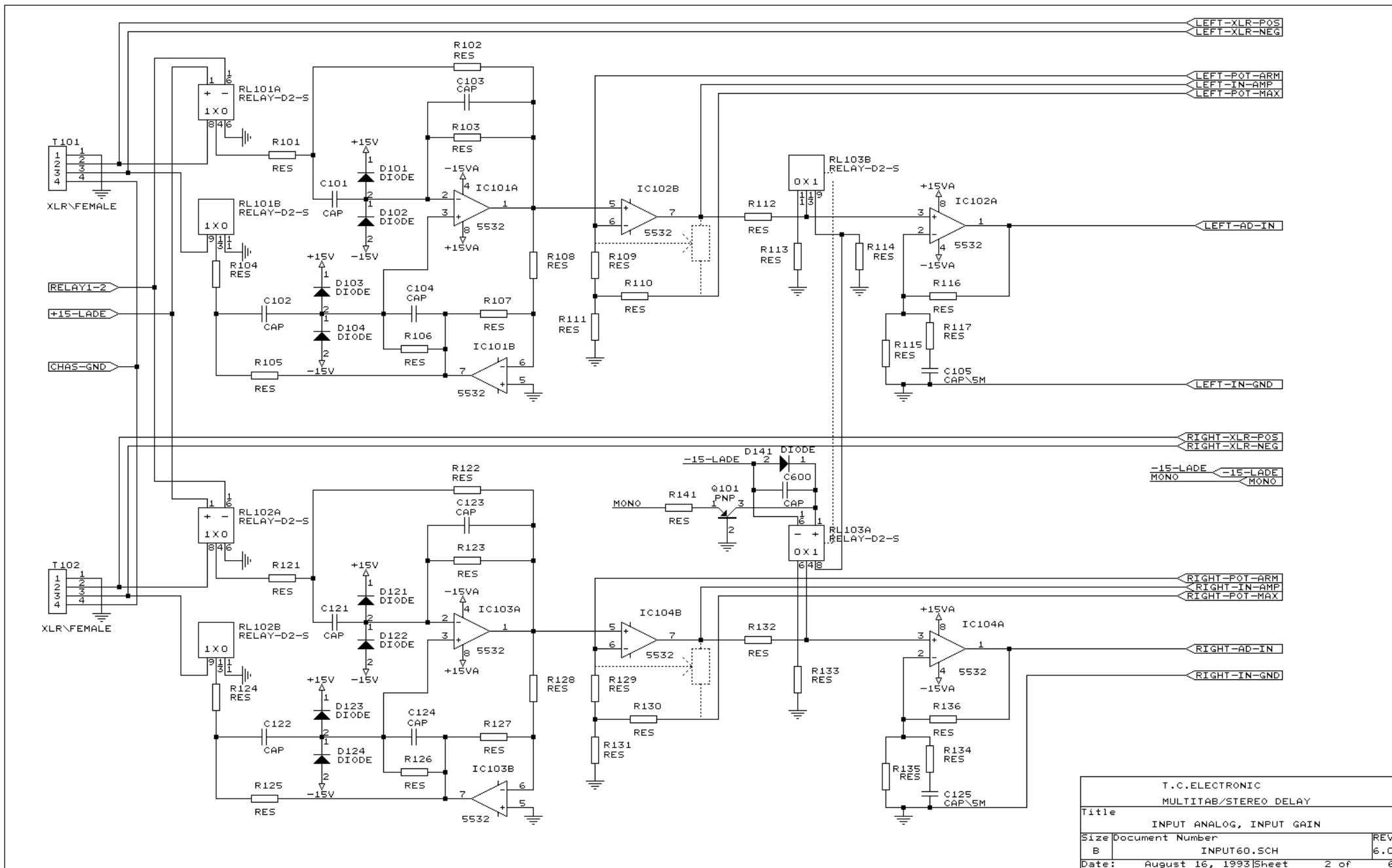
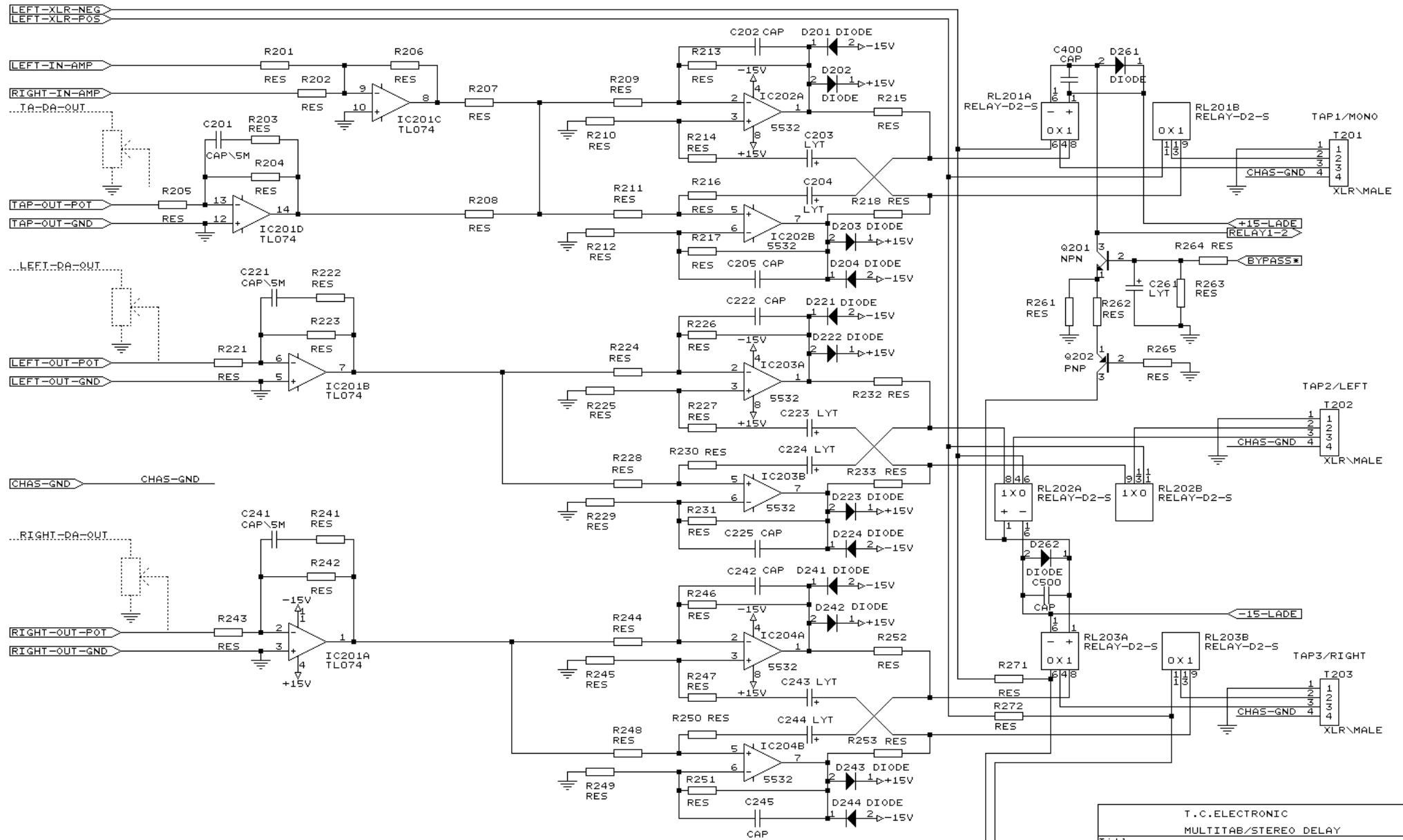


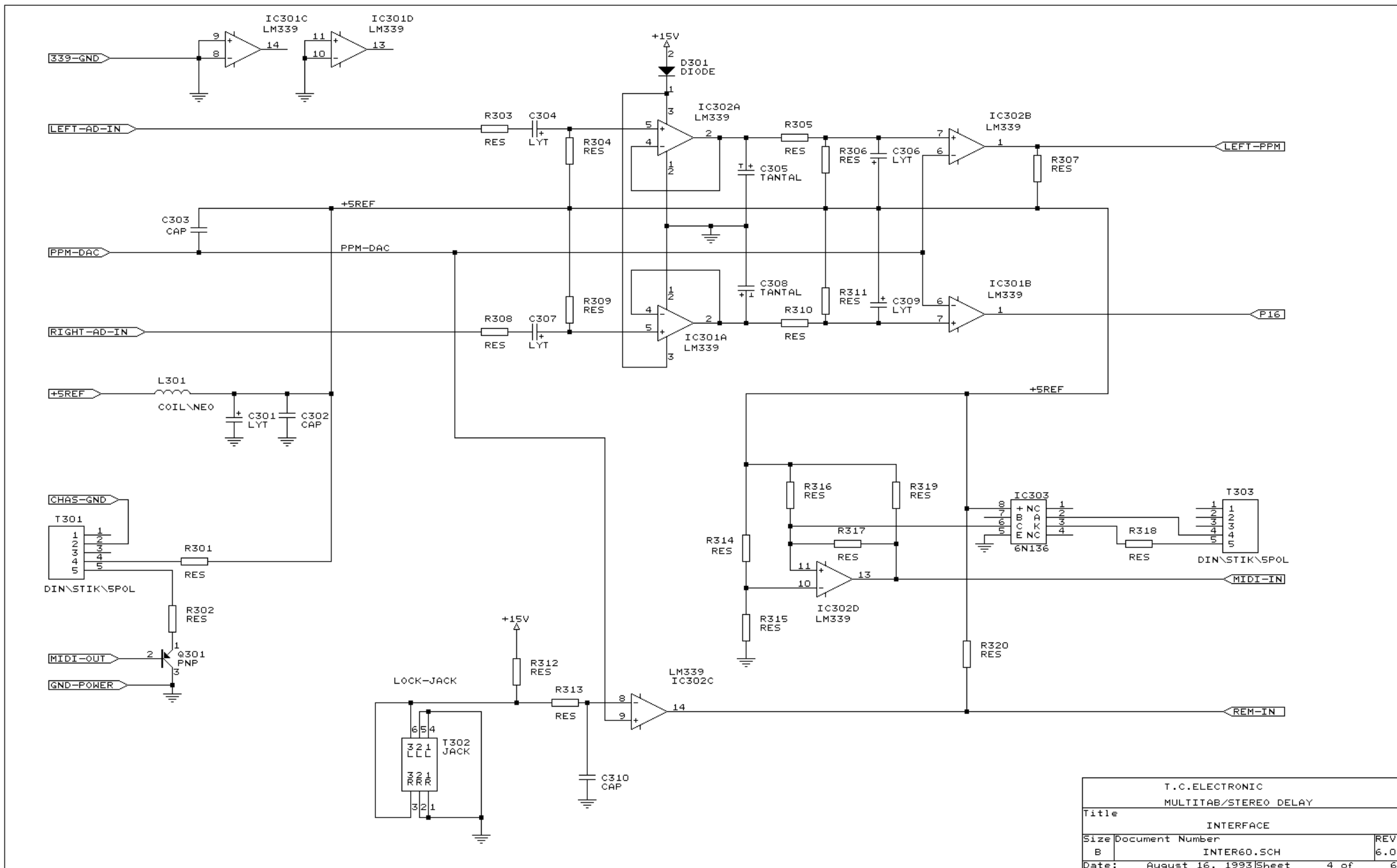
T.C.ELECTRONIC		
MULTITAB/STEREO DELAY		
Title		
HOVEDSHEET FOR PC2201		
Size	Document Number	REV
B	PC220160.SCH	6.0
Date:	August 16, 1993	Sheet of 5



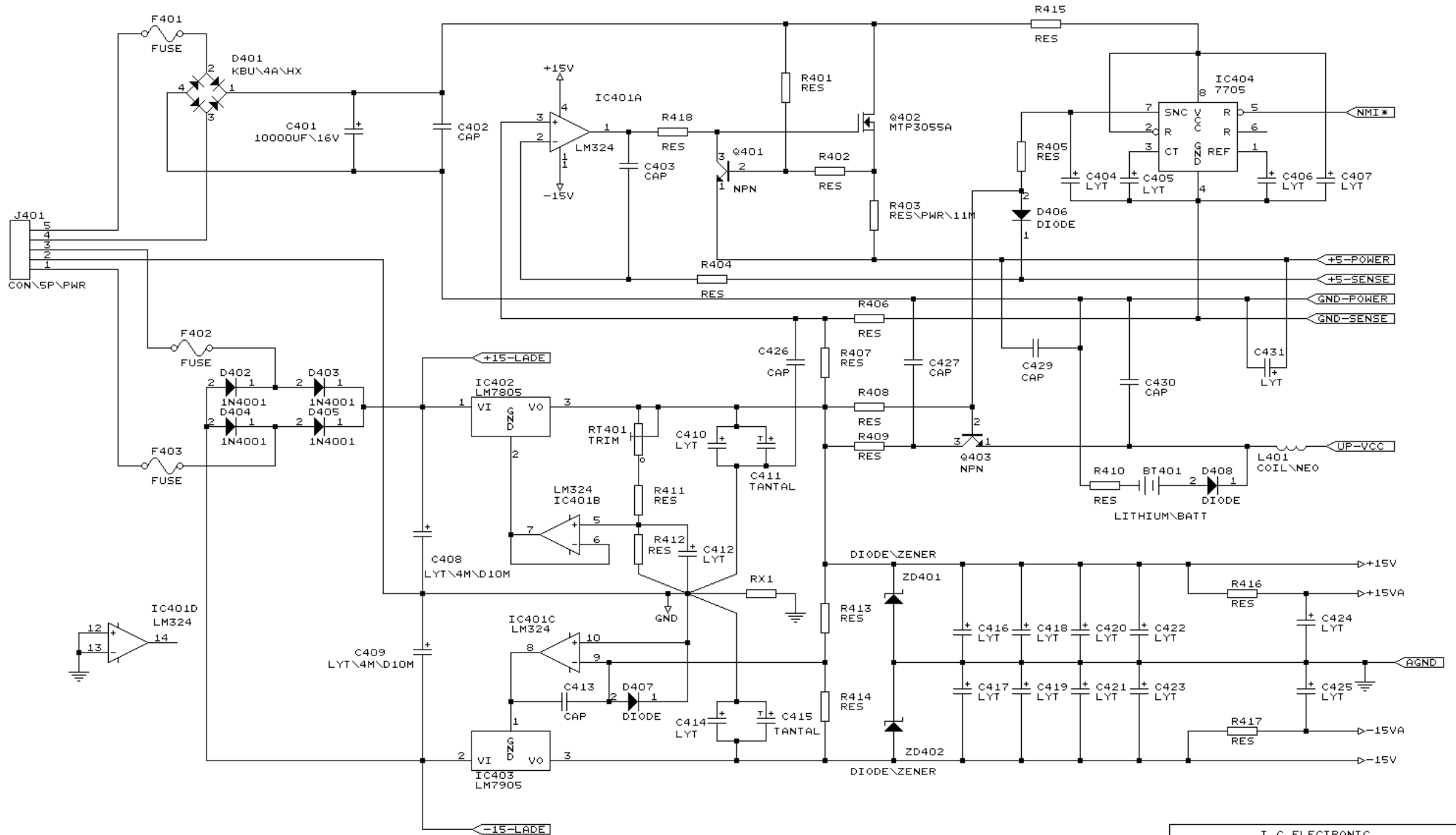
T.C.ELECTRONIC		
MULTITAB/STEREO DELAY		
Title		
INPUT ANALOG, INPUT GAIN		
Size	Document Number	REV
B	INPUT60.SCH	6.0
Date:	August 16, 1993	Sheet 2 of 6



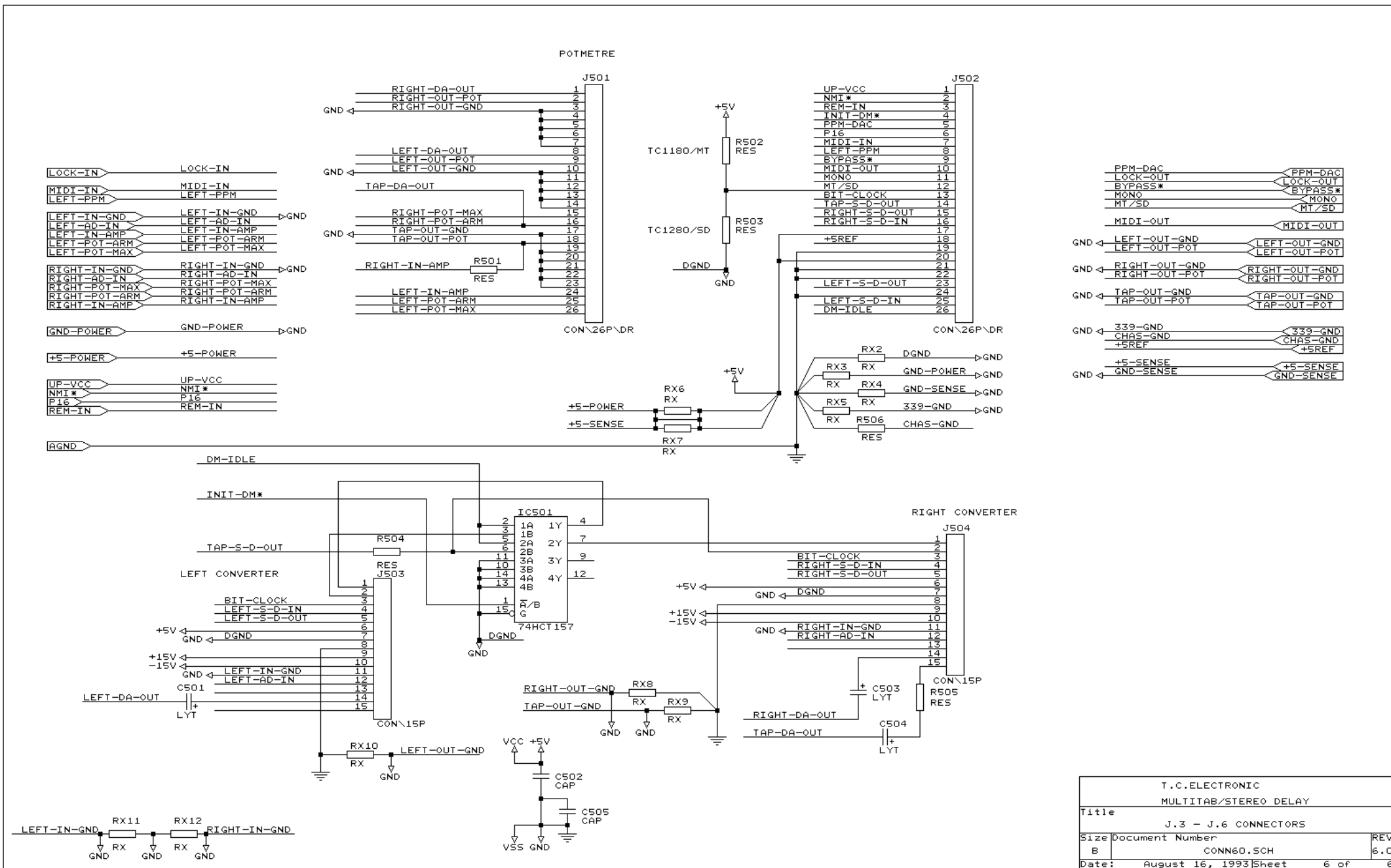
T.C.ELECTRONIC		
MULTITAB/STEREO DELAY		
Title		
OUTPUT ANALOG, OUTPUT GAIN		
Size	Document Number	REV
B	OUTPUT60.SCH	6.0
Date:	August 16, 1993	Sheet 3 of 6



T.C.ELECTRONIC		
MULTITAB/STEREO DELAY		
Title		
INTERFACE		
Size	Document Number	REV
B	INTER60.SCH	6.0
Date:	August 16, 1993	Sheet 4 of 6



T.C.ELECTRONIC		
STEREO/MULTITAB DELAY		
Title POWER SUPPLY		
Size	Document Number	REV
B	POWER60.SCH	6.0
Date:	August 16, 1993	Sheet 5 of 6



T.C.ELECTRONIC		
MULTITAB/STEREO DELAY		
Title		
J.3 - J.6 CONNECTORS		
Size	Document Number	REV
B	CONN60.SCH	6.0
Date:	August 16, 1993	Sheet 6 of 6