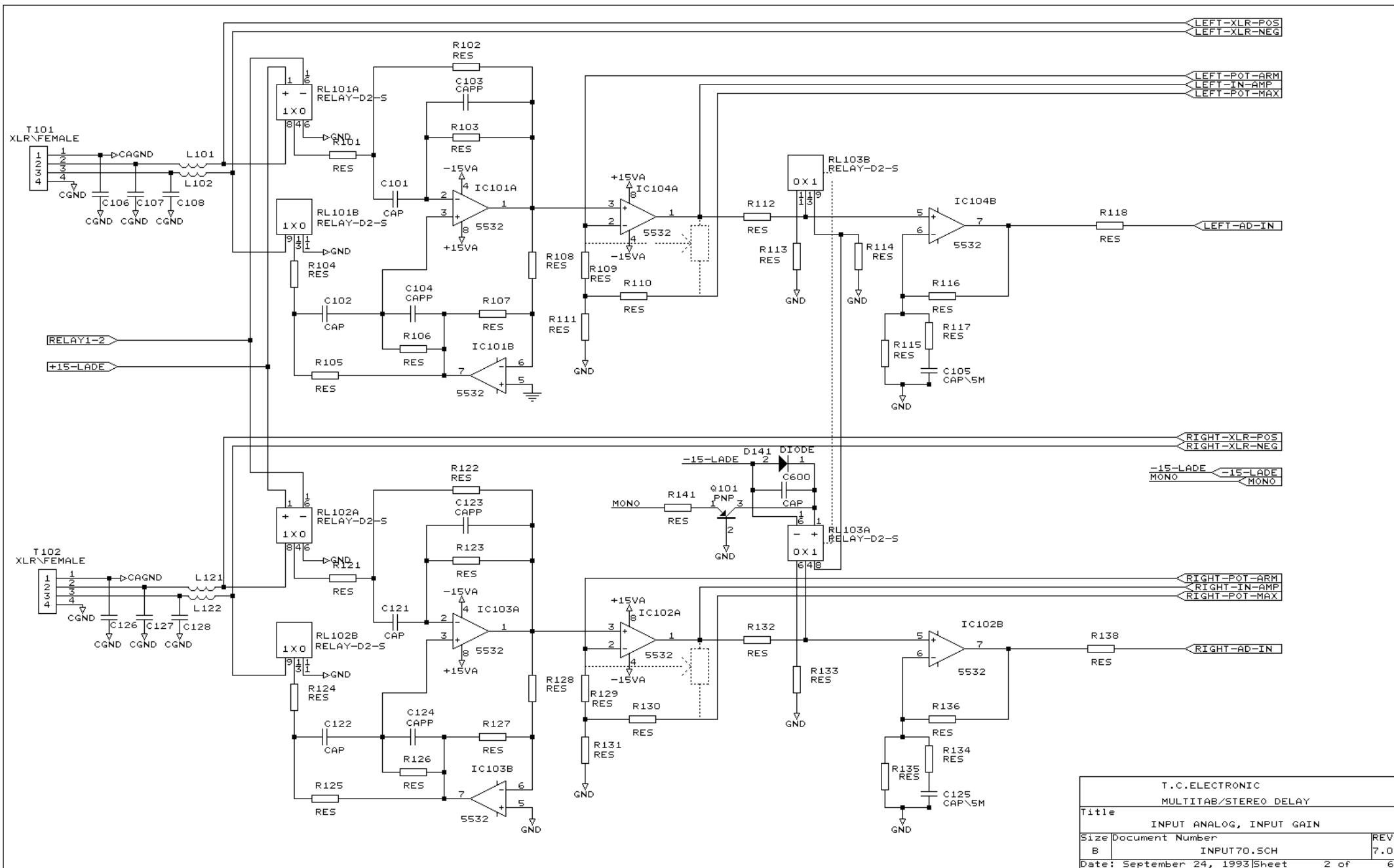
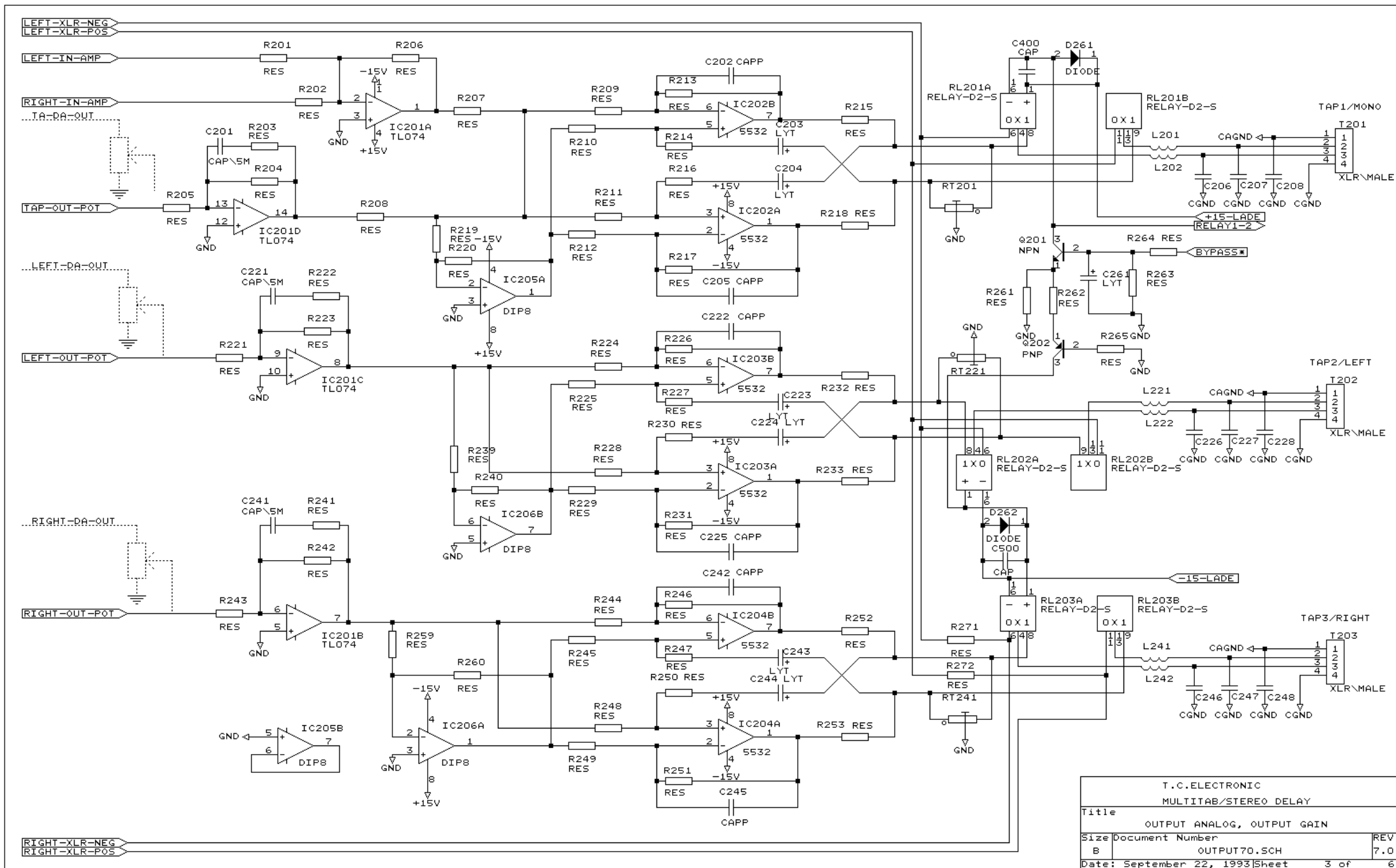


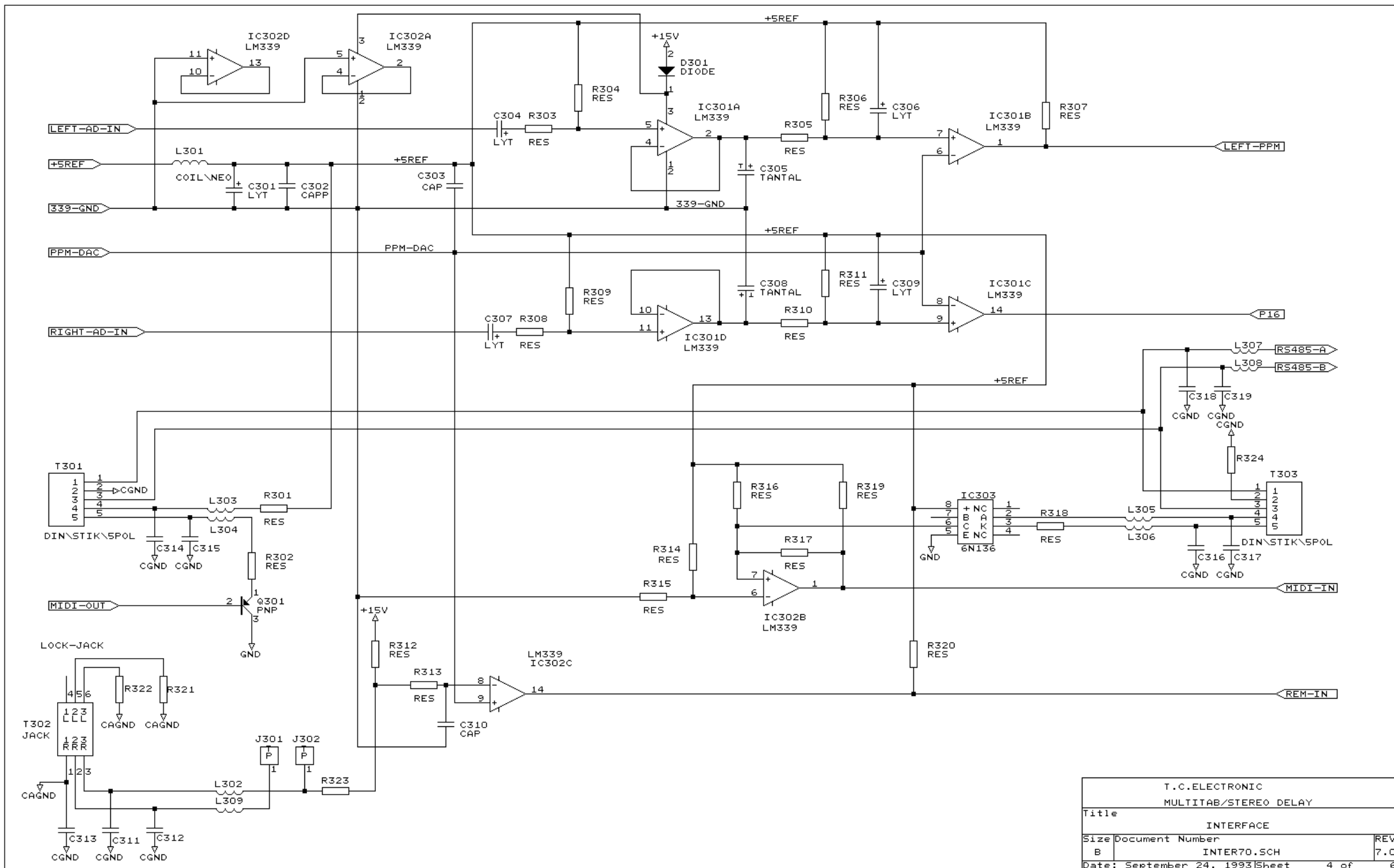
T.C.ELECTRONIC		
MULTITAB/STEREO DELAY		
Title		
HOVEDSHEET FOR PC2201		
Size	Document Number	REV
B	PC220170.SCH	7.0
Date:	September 22, 1993	Sheet 1 of 6



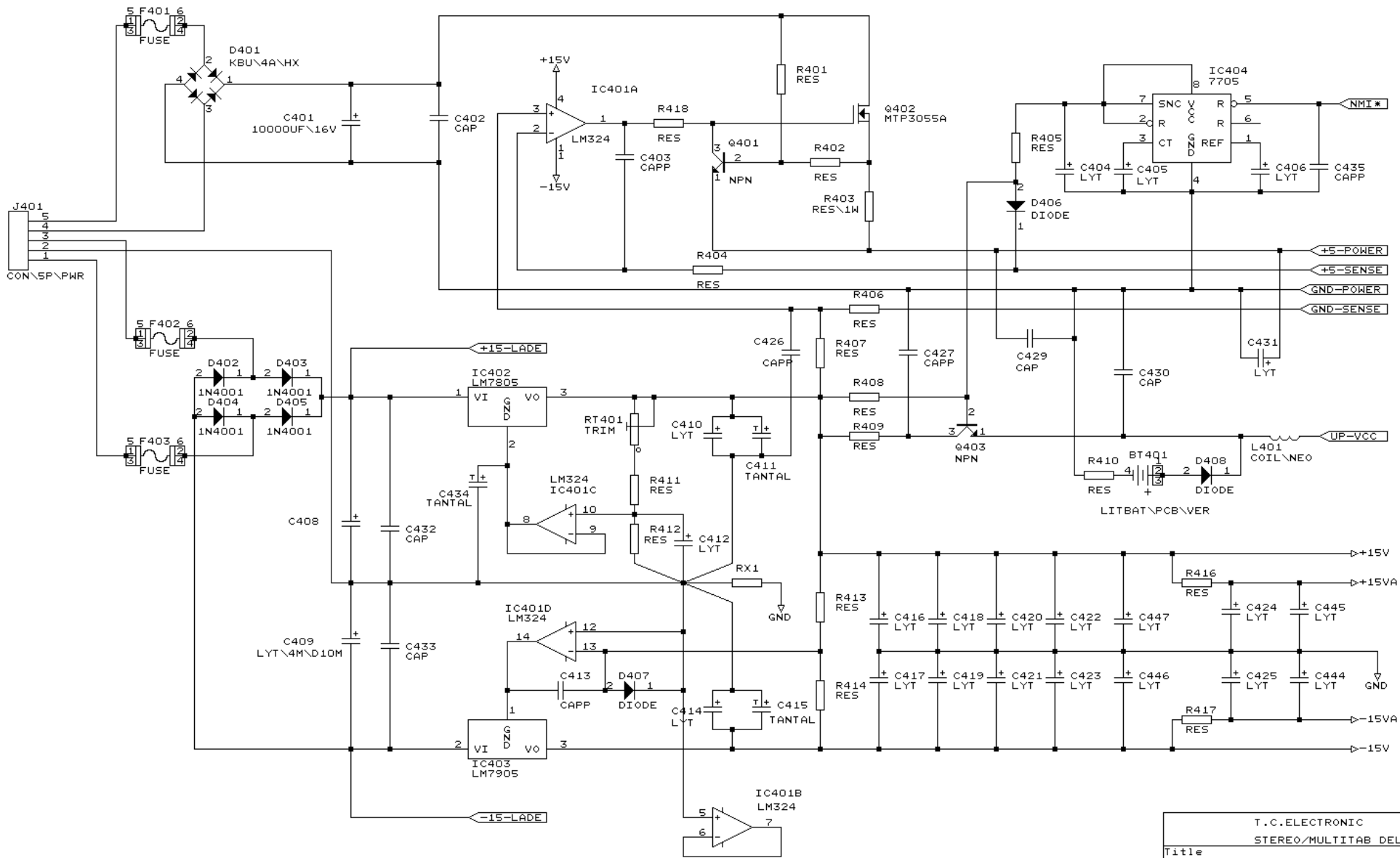
T.C.ELECTRONIC		
MULTITAB/STEREO DELAY		
Title INPUT ANALOG, INPUT GAIN		
Size	Document Number	REV
B	INPUT70.SCH	7.0
Date: September 24, 1993	Sheet	2 of 6



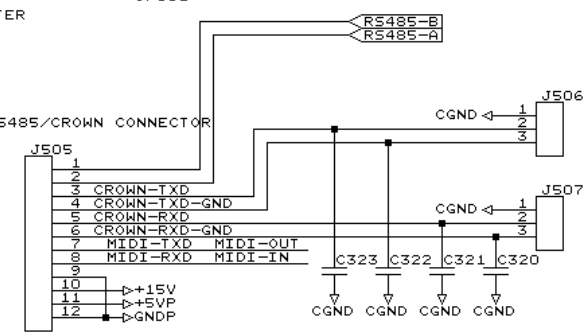
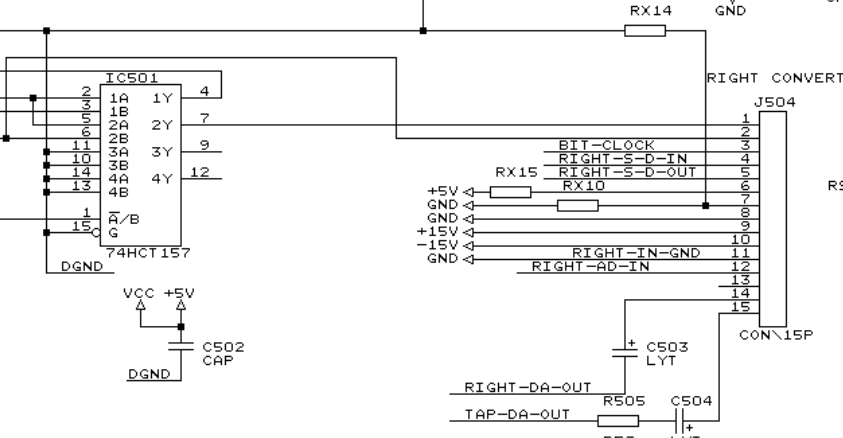
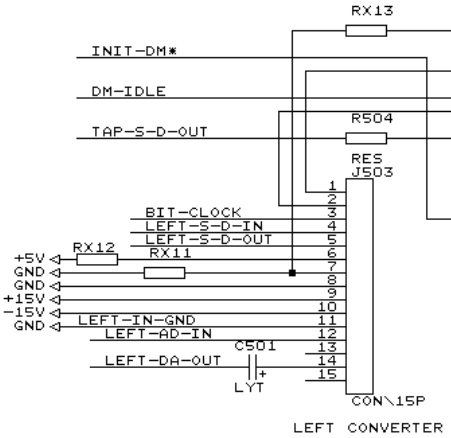
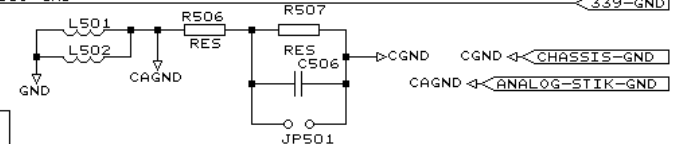
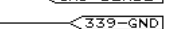
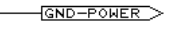
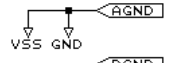
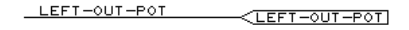
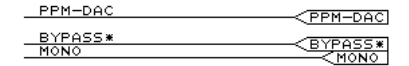
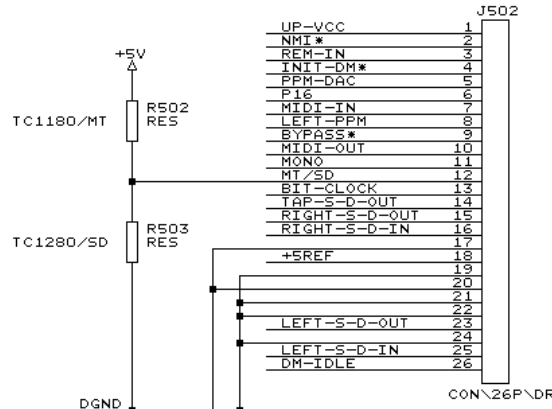
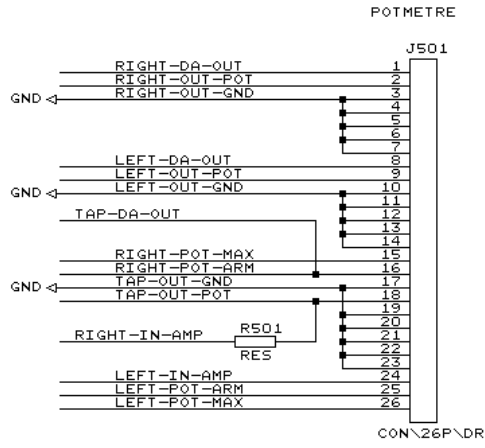
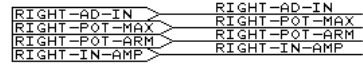
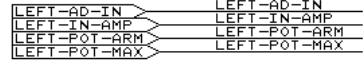
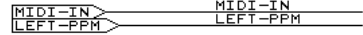
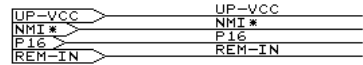
T.C.ELECTRONIC			
MULTITAB/STEREO DELAY			
Title			
OUTPUT ANALOG, OUTPUT GAIN			
Size	Document Number	REV	
B	OUTPUT70.SCH	7.0	
Date:	September 22, 1993	Sheet	3 of 6



T.C.ELECTRONIC		
MULTITAB/STEREO DELAY		
Title INTERFACE		
Size	Document Number	REV
B	INTER70.SCH	7.0
Date: September 24, 1993		Sheet 4 of 6



T.C.ELECTRONIC		
STEREO/MULTITAB DELAY		
Title POWER SUPPLY		
Size	Document Number	REV
B	POWER70.SCH	7.0
Date:	September 24, 1993	Sheet 5 of 6



T.C.ELECTRONIC			
MULTITAB/STEREO DELAY			
Title			
J.3 - J.6 CONNECTORS			
Size	Document Number	REV	
B	CONN70.SCH	7.0	
Date:	September 24, 1993	Sheet	6 of 6