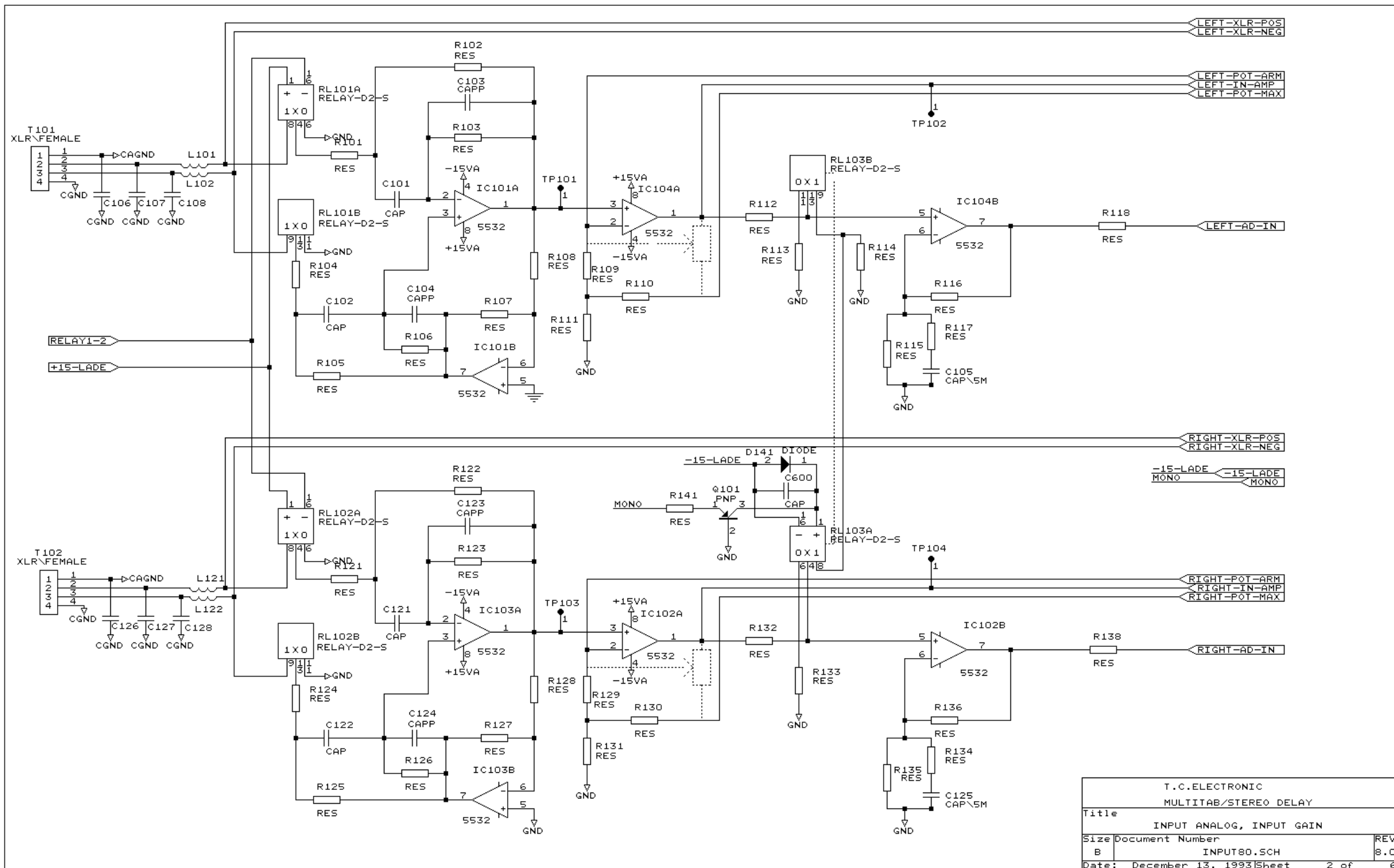
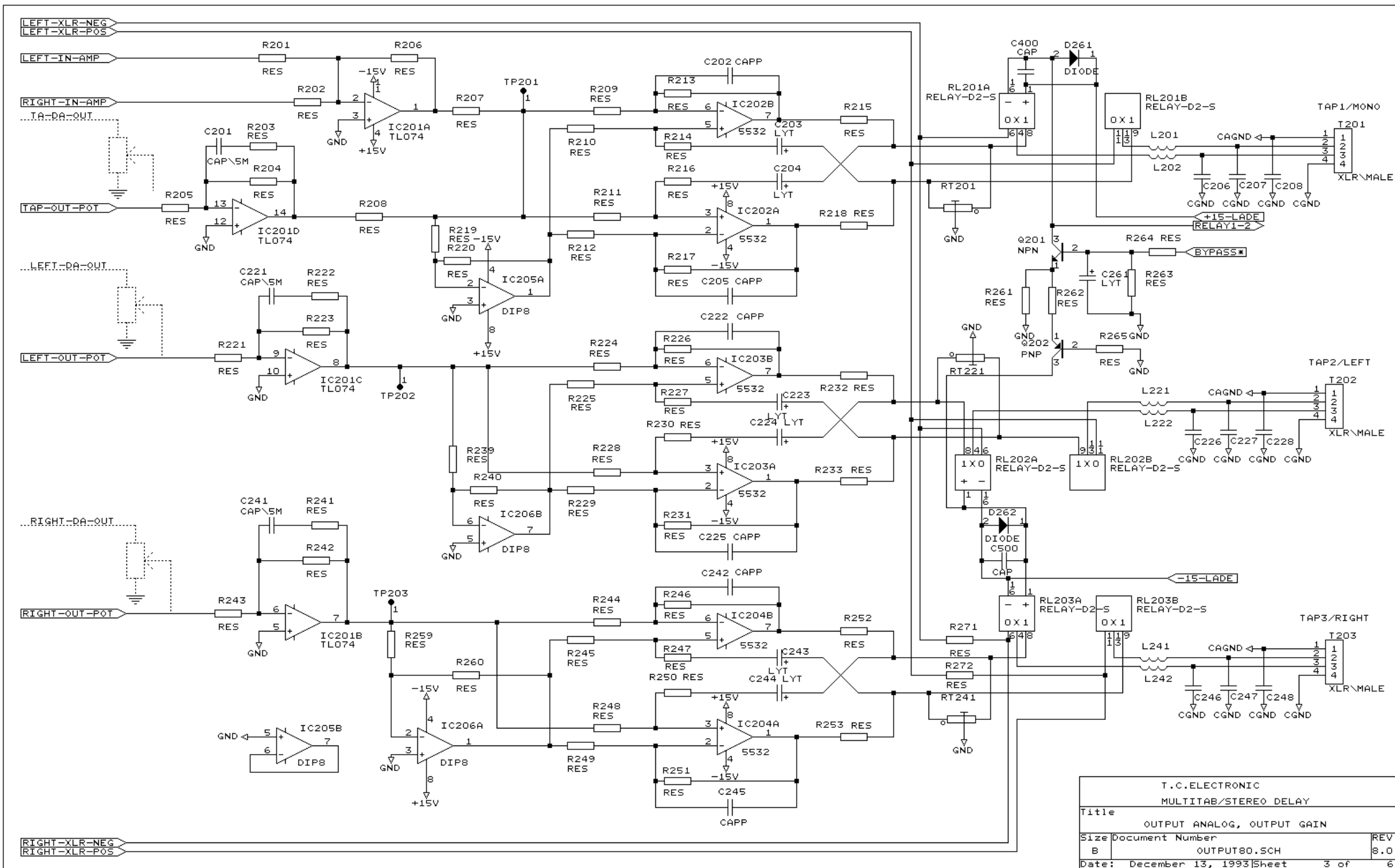


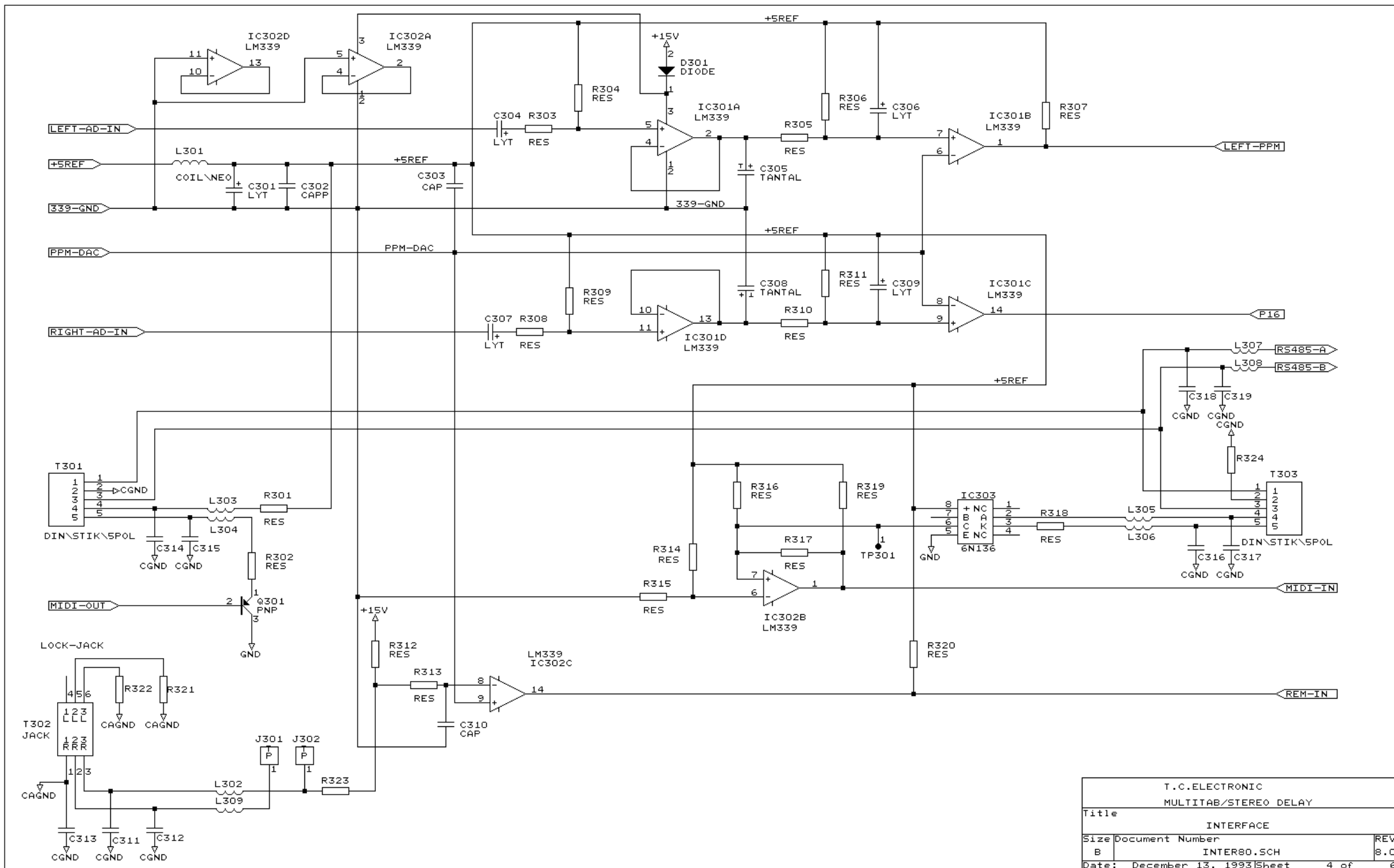
T.C.ELECTRONIC		
MULTITAB/STEREO DELAY		
Title		
HOVEDSHEET FOR PC2201		
Size	Document Number	REV
B	PC220180.SCH	8.0
Date:	December 10, 1993	Sheet 1 of 6



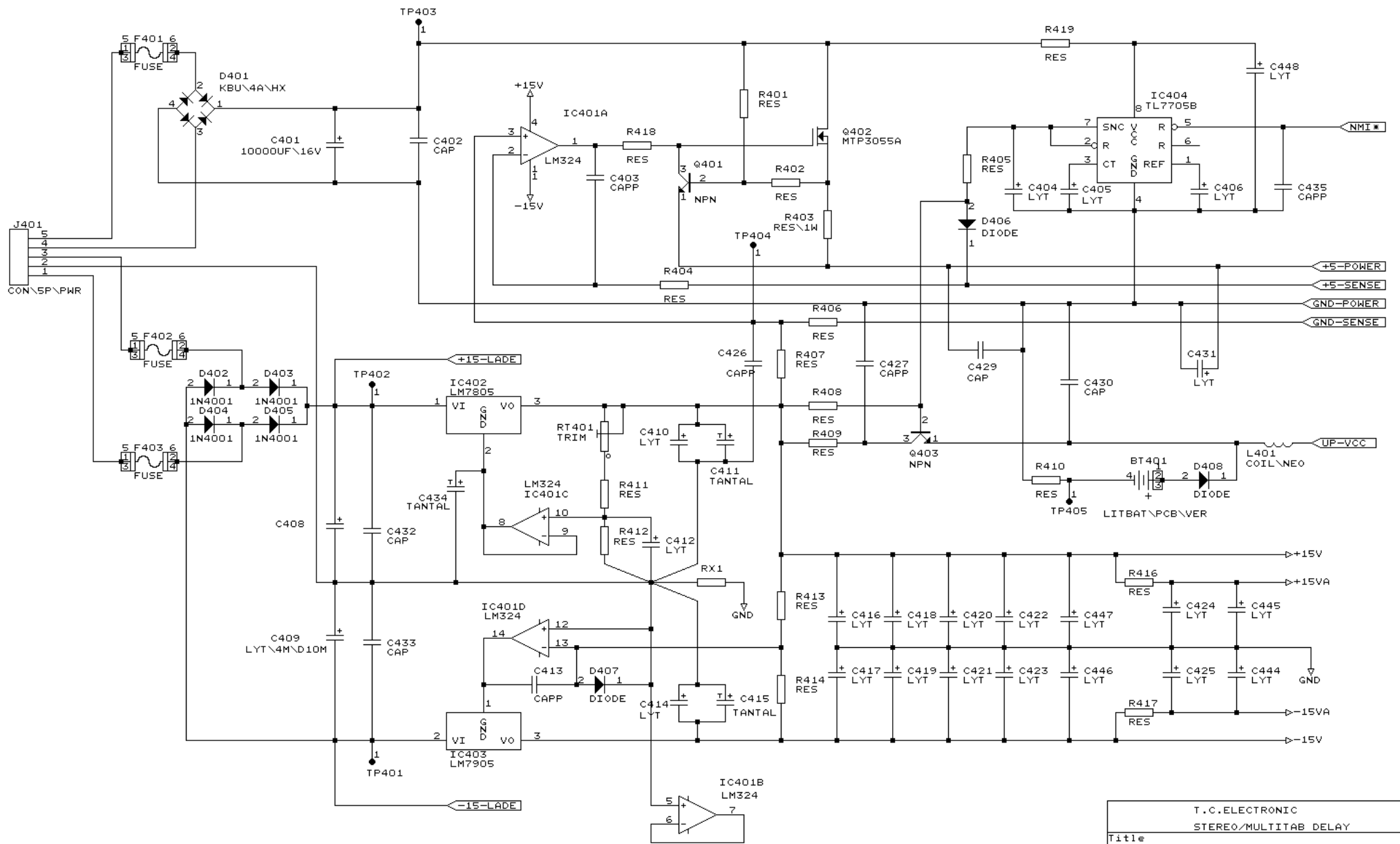
T.C.ELECTRONIC		
MULTITAB/STEREO DELAY		
Title INPUT ANALOG, INPUT GAIN		
Size	Document Number	REV
B	INPUT80.SCH	8.0
Date:	December 13, 1993	Sheet 2 of 6



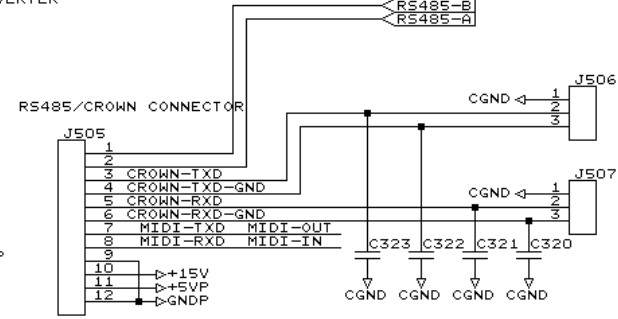
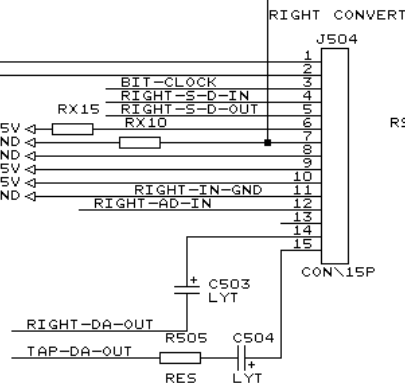
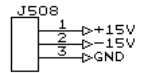
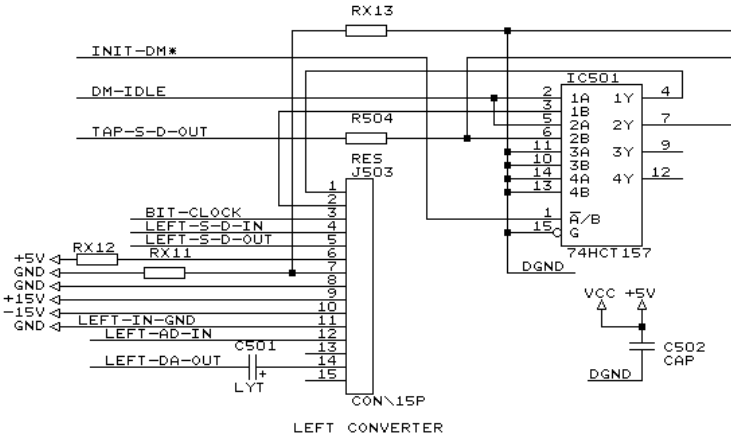
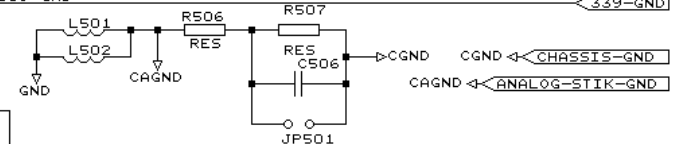
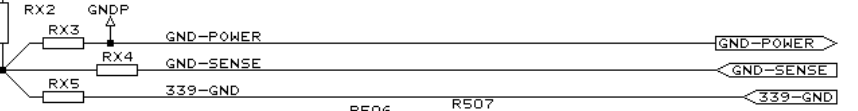
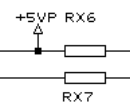
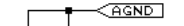
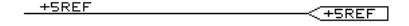
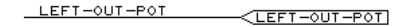
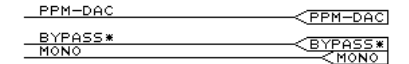
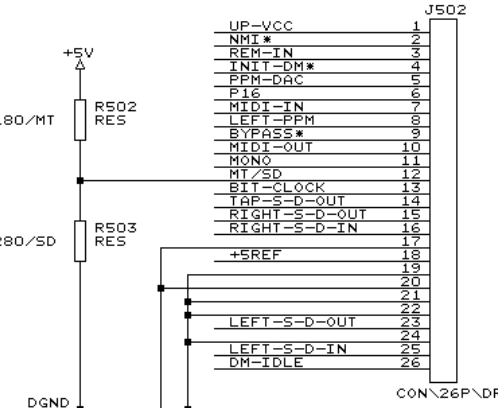
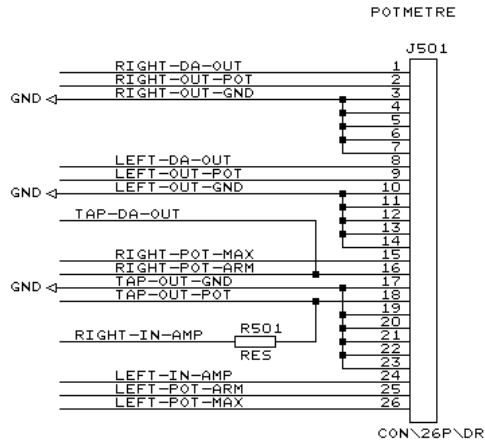
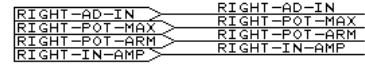
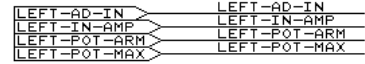
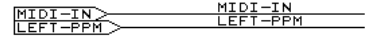
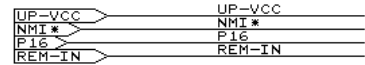
T.C.ELECTRONIC			
MULTITAB/STEREO DELAY			
Title			
OUTPUT ANALOG, OUTPUT GAIN			
Size	Document Number	REV	
B	OUTPUT80.SCH	8.0	
Date:	December 13, 1993	Sheet	3 of 6



T.C.ELECTRONIC		
MULTITAB/STEREO DELAY		
Title INTERFACE		
Size B	Document Number INTER80.SCH	REV 8.0
Date: December 13, 1993	Sheet 4 of	6



T.C.ELECTRONIC		
STEREO/MULTITAB DELAY		
Title POWER SUPPLY		
Size	Document Number	REV
B	POWER80.SCH	8.0
Date:	December 13, 1993	Sheet 5 of 6



T.C.ELECTRONIC			
MULTITAB/STEREO DELAY			
Title			
J.3 - J.6 CONNECTORS			
Size	Document Number	REV	
B	CONN80.SCH	8.0	
Date:	December 10, 1993	Sheet	6 of 6