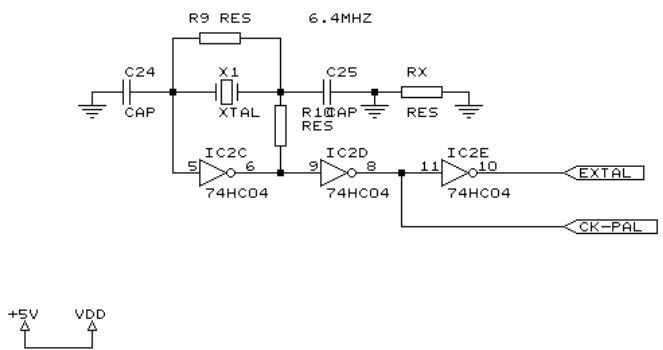
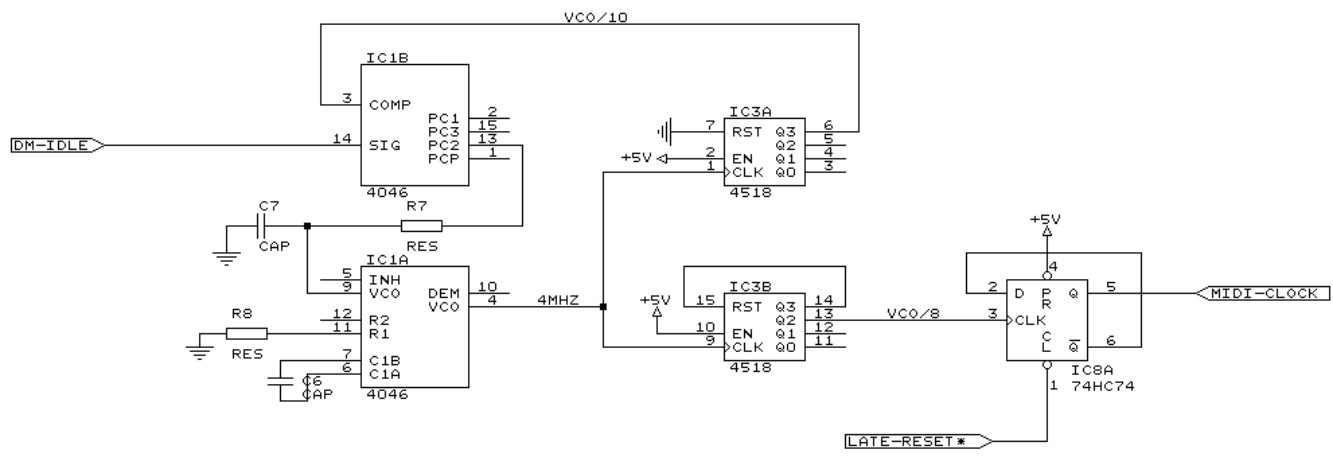
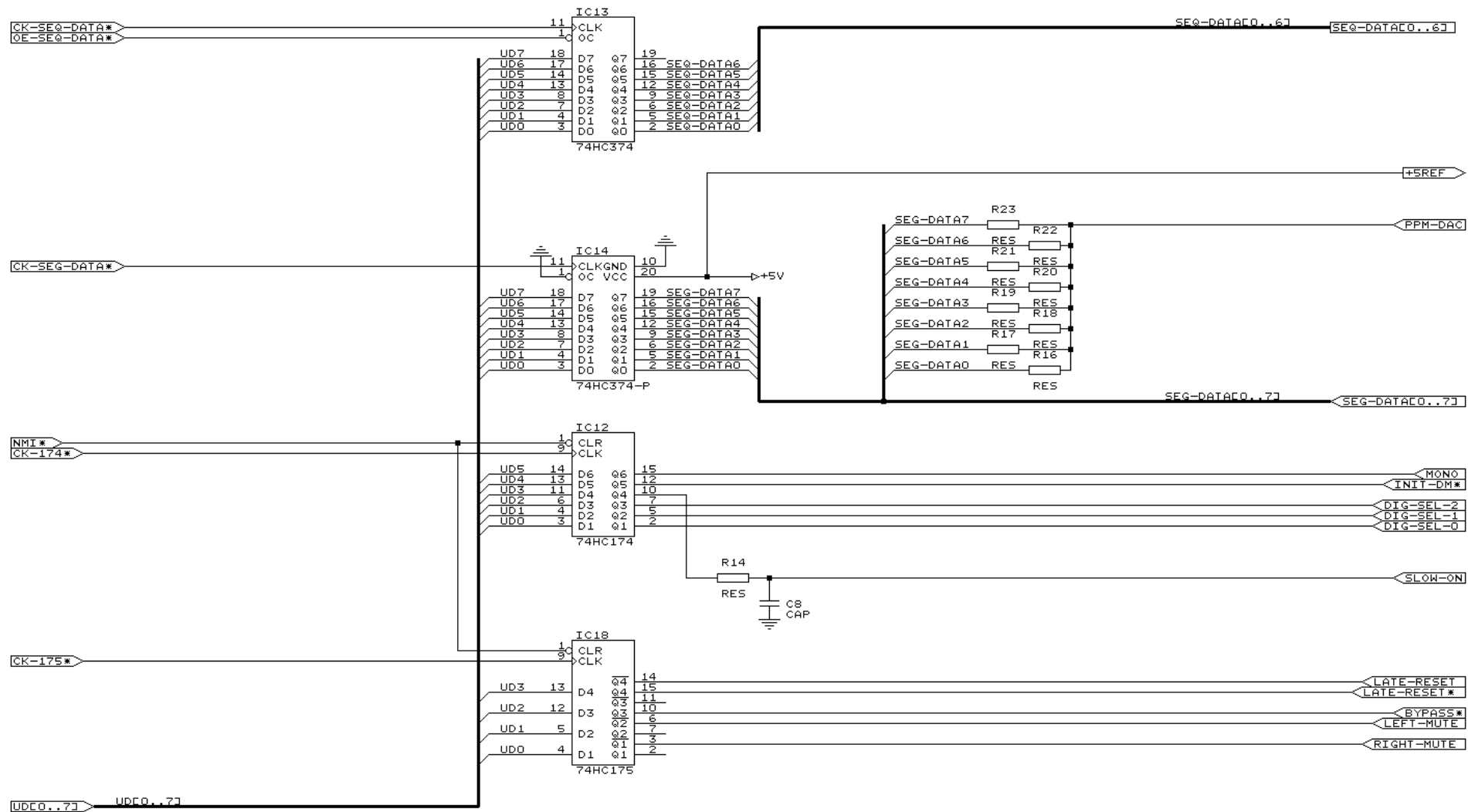
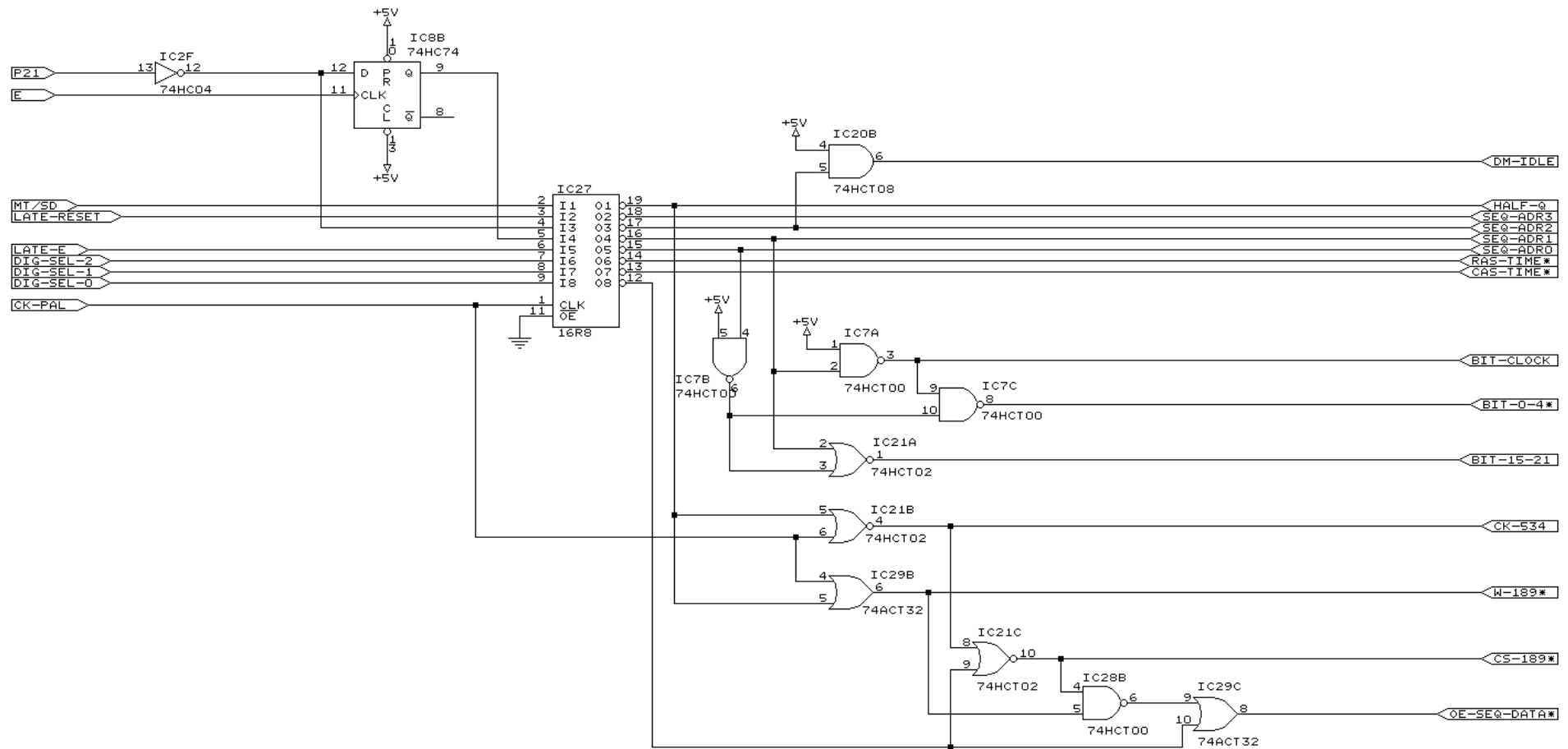


T.C.ELECTRONIC		
STEREO\MULTITAB DELAY		
PRINT PC2202-4		
Title		
CPU PART		
Size	Document Number	REV
B	CPU04.SCH	KDS
Date:	February 24, 1995	Sheet 1 of 8

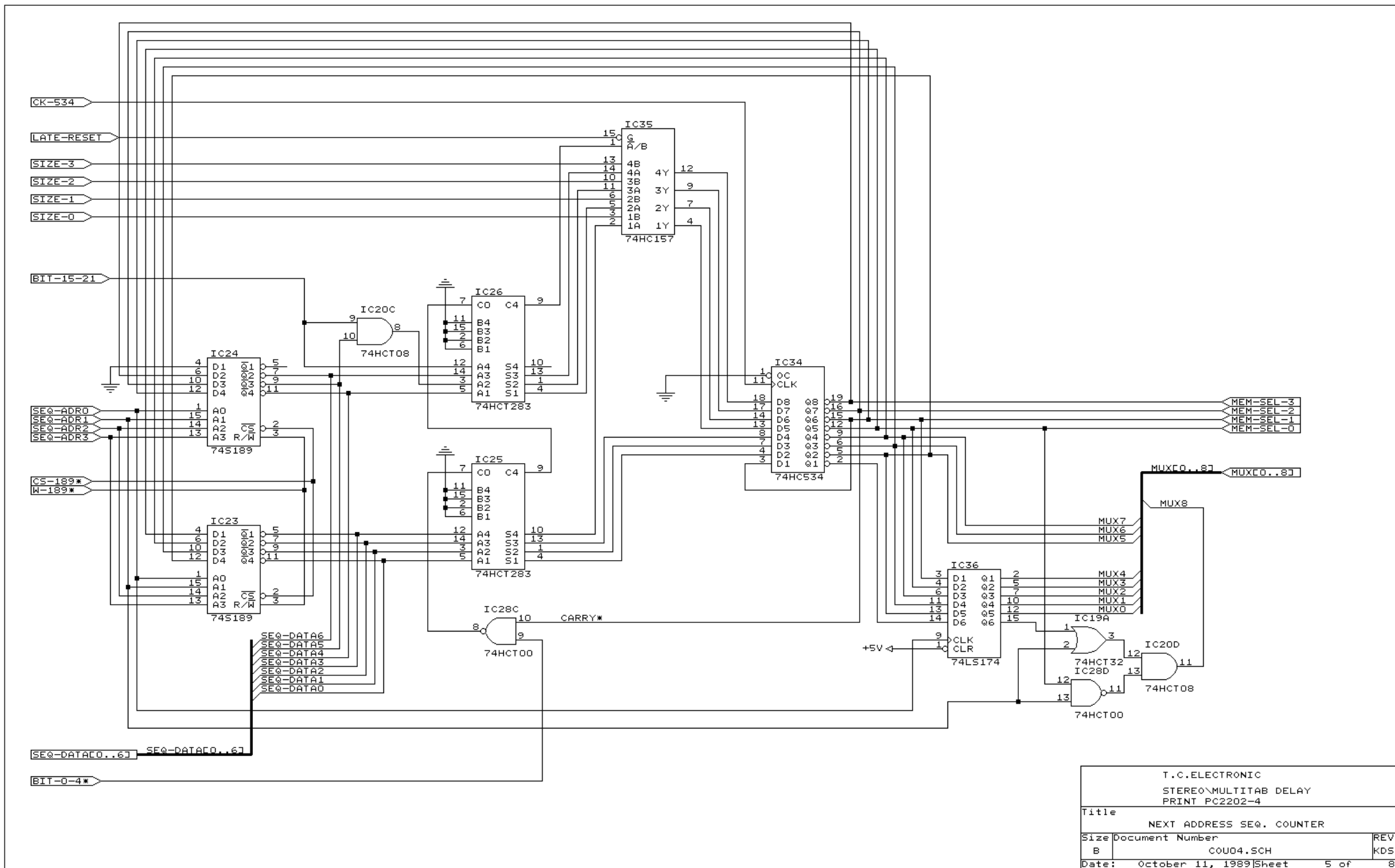


T.C.ELECTRONIC		
STEREO/MULTITAB DELAY		
PRINT PC2202-4		
Title		
VCO AND OSCILLATOR PART		
Size	Document Number	REV
B	VC004.SCH	KDS
Date:	October 11, 1989	Sheet 2 of 8

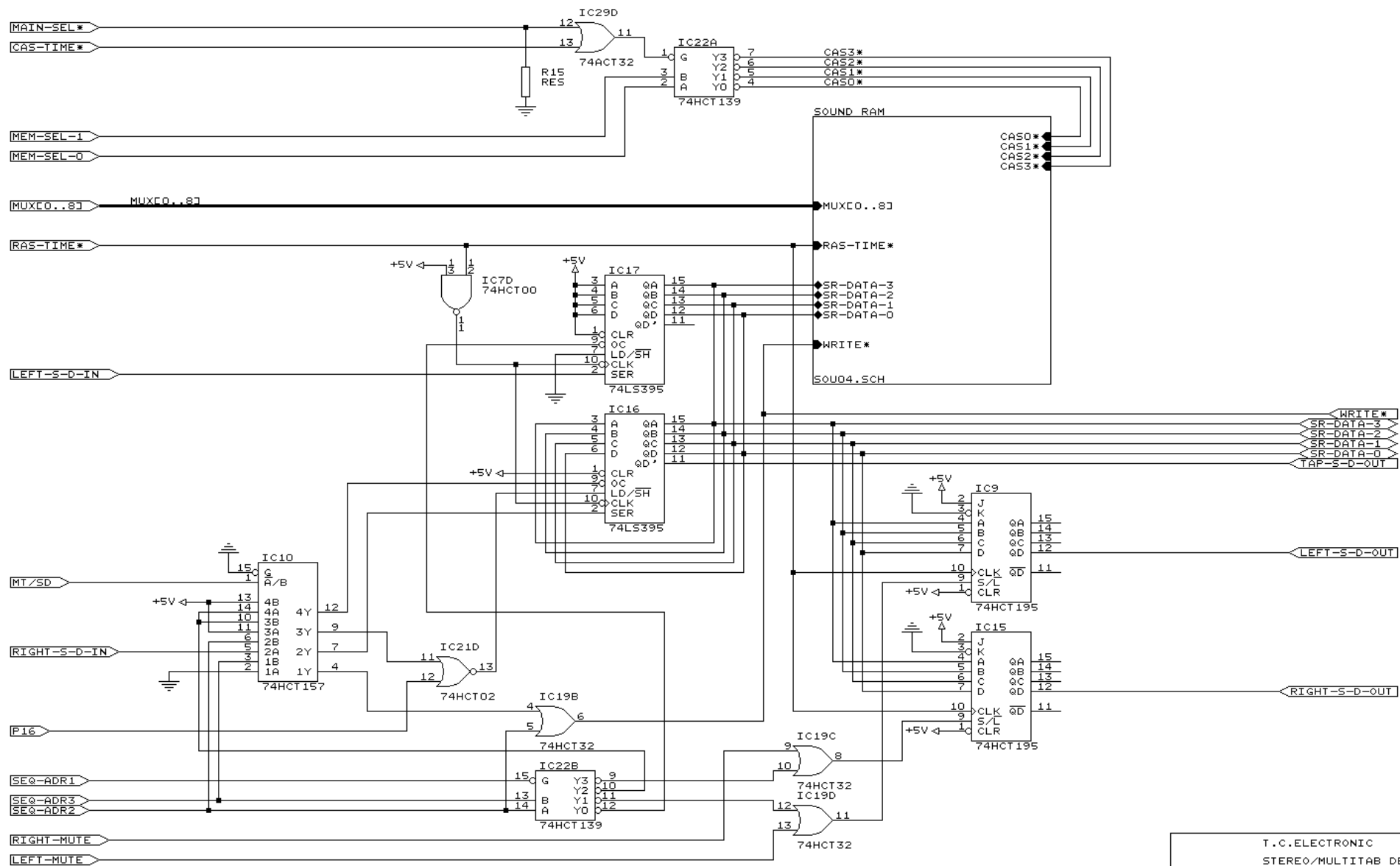




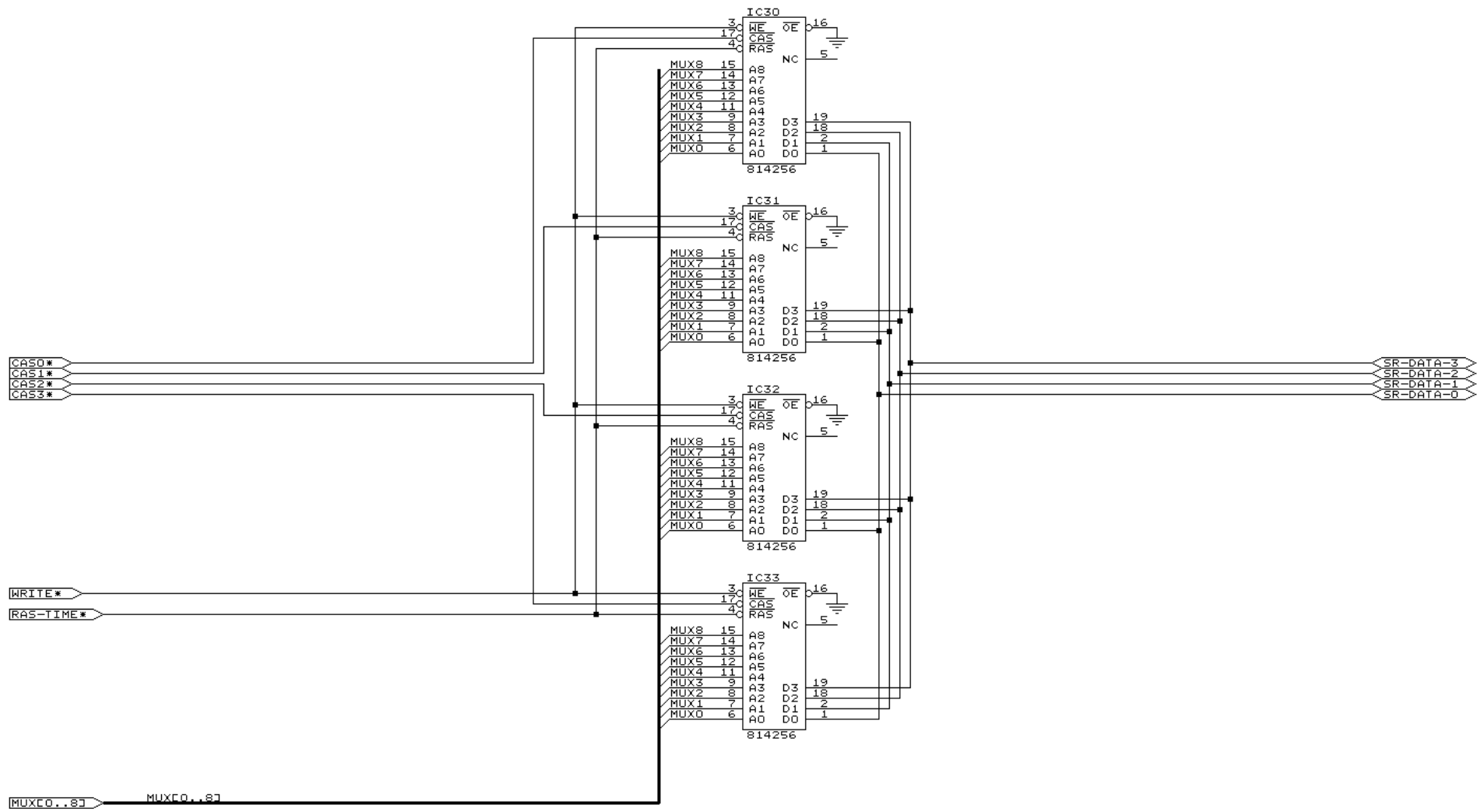
T.C.ELECTRONIC		
STEREO\MULTITAB DELAY		
PRINT PC2202-4		
Title		
NEXT ADDRESS SEQ. TIMING		
Size	Document Number	REV
B	NXT04.SCH	KDS
Date:	October 11, 1989	Sheet 4 of 8



T.C.ELECTRONIC		
STEREO\MULTITAB DELAY		
PRINT PC2202-4		
Title		
NEXT ADDRESS SEQ. COUNTER		
Size	Document Number	REV
B	COU04.SCH	KDS
Date:	October 11, 1989	Sheet 5 of 8

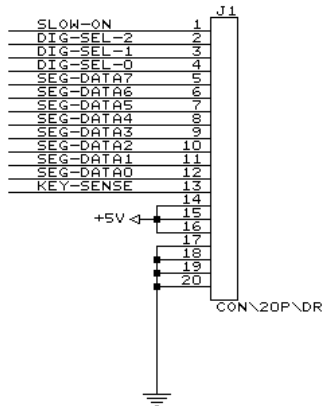


T.C.ELECTRONIC STEREO/MULTITAB DELAY PRINT PC2202-4		
Title SERIAL DATA IN/OUT AND SOUND RAM		
Size	Document Number	REV
B	RAM04.SCH	KDS
Date:	October 16, 1989	Sheet 6 of 8

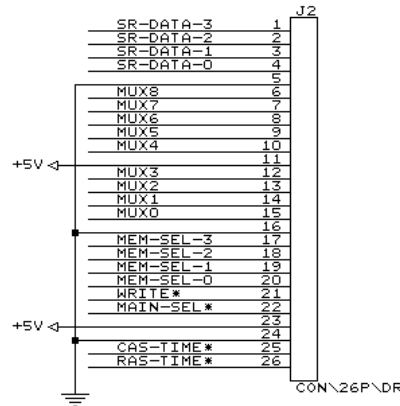


T.C.ELECTRONIC		
DELAY/MULTITAB DELAY		
PRINT PC2202-4		
Title		
SOUND RAM		
Size	Document Number	REV
B	S0U04.SCH	KDS
Date:	October 16, 1989	Sheet 7 of 8

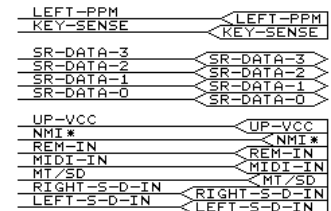
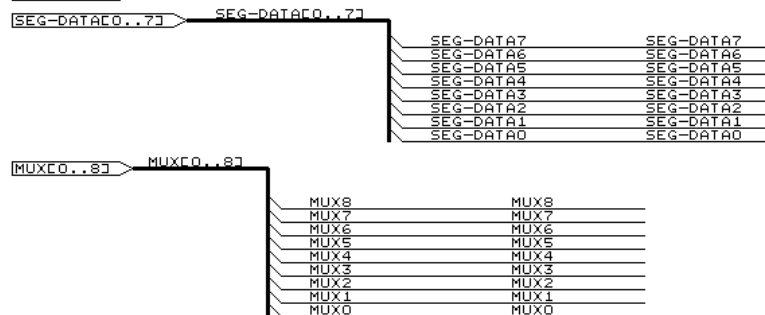
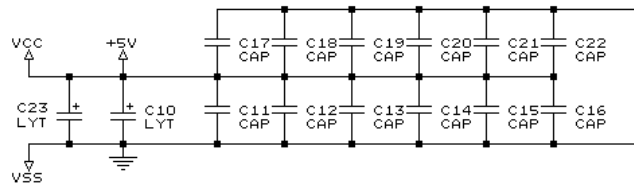
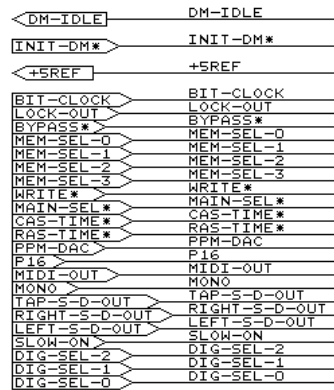
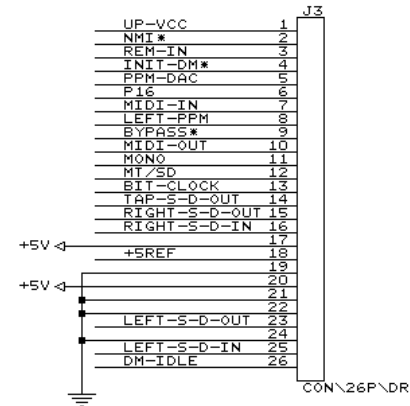
DISPLAY CONNECTOR



MEMORY-OPTION CONNECTOR



ANALOG CONNECTOR



T.C.ELECTRONIC		
STEREO/MULTITAB DELAY		
PRINT PC2202-4		
Title		
CONNECTORS		
Size	Document Number	REV
B	J104.SCH	KDS
Date:	October 11, 1989	Sheet 8 of 8