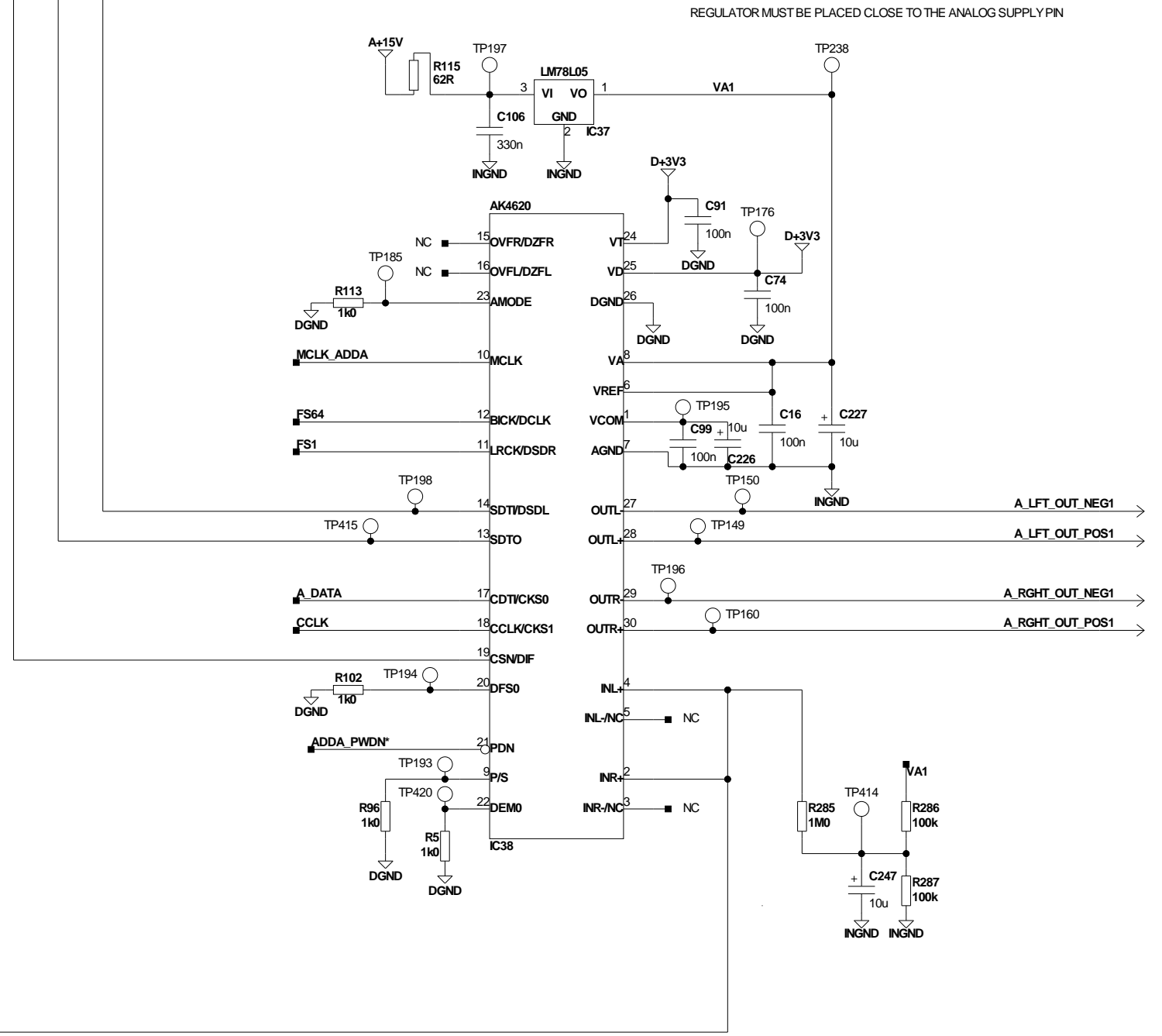
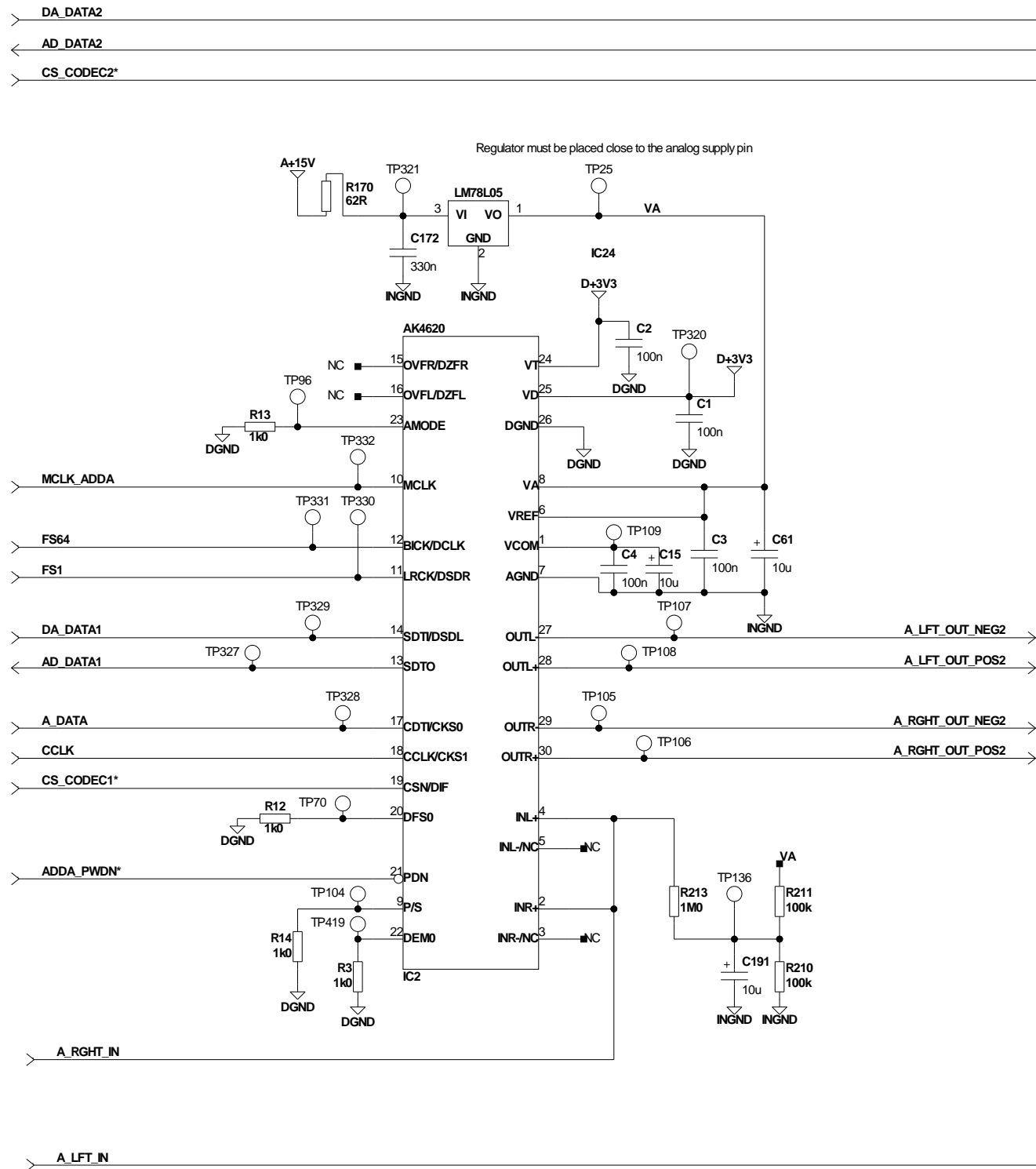
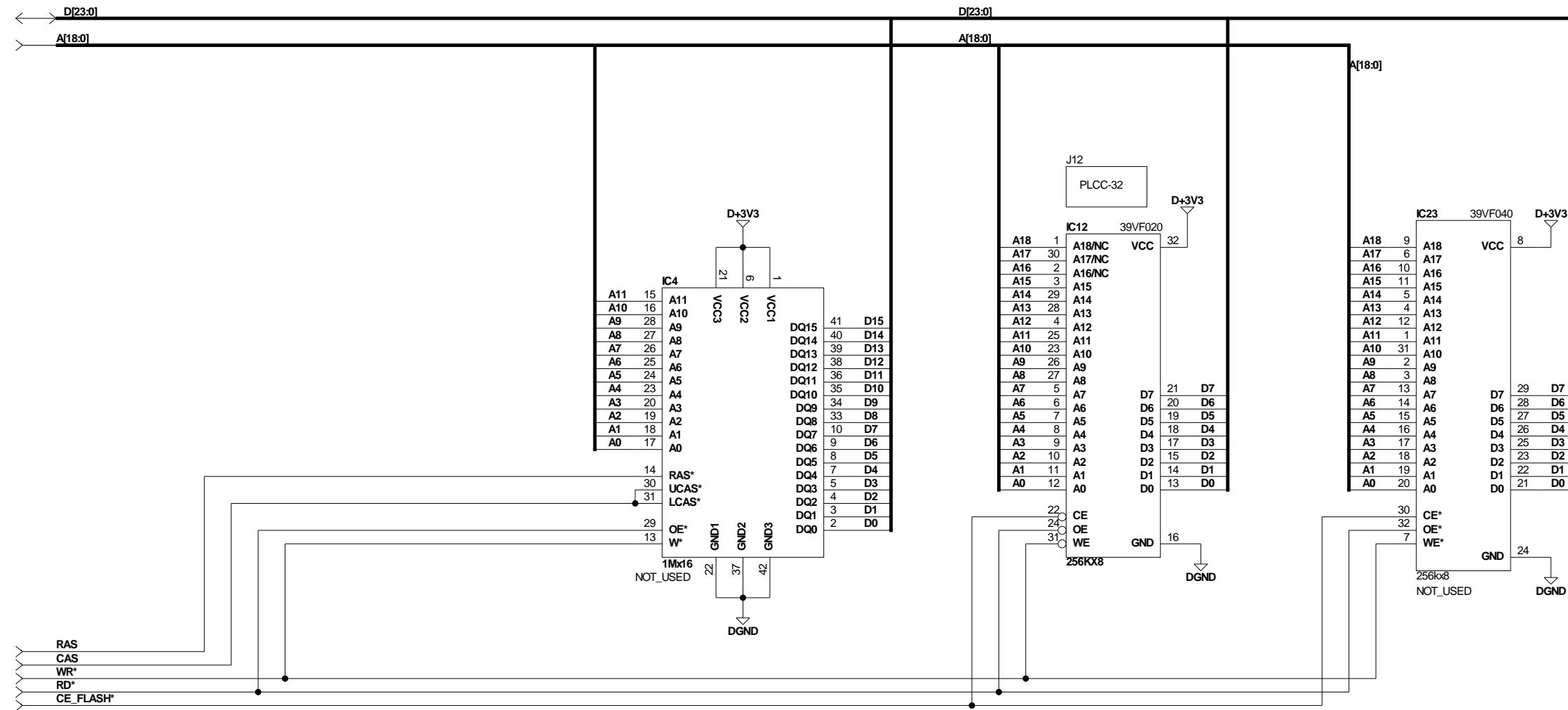


<b>TC Electronic A/S</b>		Designer HK, MAR, NIM
Title TC SMC 2-4		Module title ANALOG INPUT
Number P16007	Revision BAA	Previous page 1
Date 6-22-2004_11:41	Filename ANALOG_IN	Page / of 7 / 14



<b>TC Electronic A/S</b>		Designer HK, MAR, NIM
Title TC SMC 2-4		Module title CODEC
Number P16007	Revision BAA	Previous page 1
Date 6-22-2004_10:26	Filename CODEC	Page / of 8 / 14



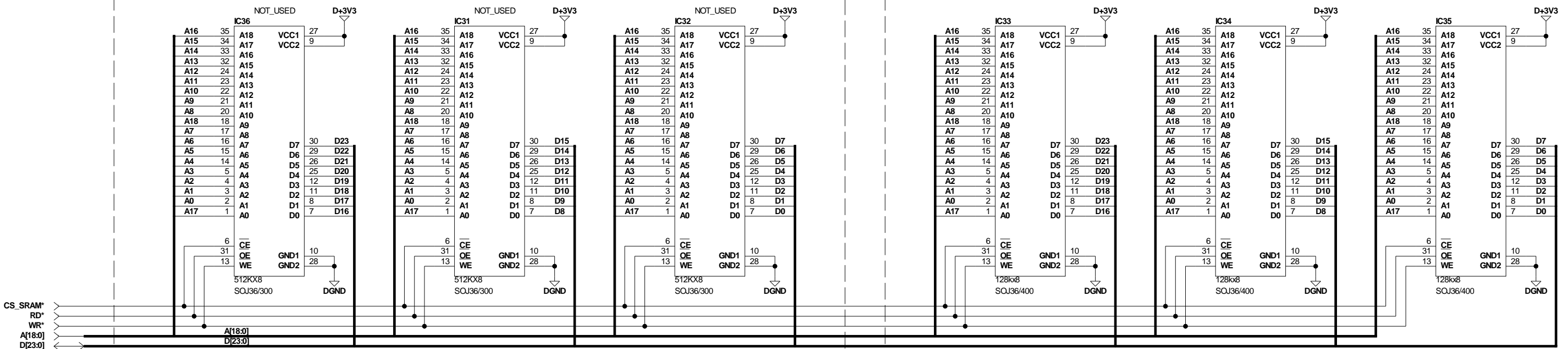
- A[17:0]
- A17 ○ TP282
  - A16 ○ TP60
  - A15 ○ TP59
  - A14 ○ TP57
  - A13 ○ TP58
  - A12 ○ TP53
  - A11 ○ TP54
  - A10 ○ TP55
  - A9 ○ TP56
  - A8 ○ TP46
  - A7 ○ TP47
  - A6 ○ TP49
  - A5 ○ TP48
  - A4 ○ TP52
  - A3 ○ TP51
  - A2 ○ TP50
  - A1 ○ TP61
  - A0 ○ TP45

- D[23:0]
- D23 ○ TP28
  - D22 ○ TP29
  - D21 ○ TP30
  - D20 ○ TP31
  - D19 ○ TP32
  - D18 ○ TP33
  - D17 ○ TP34
  - D16 ○ TP35
  - D15 ○ TP36
  - D14 ○ TP37
  - D13 ○ TP38
  - D12 ○ TP38
  - D11 ○ TP43
  - D10 ○ TP42
  - D9 ○ TP41
  - D8 ○ TP40
  - D7 ○ TP44
  - D6 ○ TP68
  - D5 ○ TP67
  - D4 ○ TP65
  - D3 ○ TP66
  - D2 ○ TP62
  - D1 ○ TP63
  - D0 ○ TP64

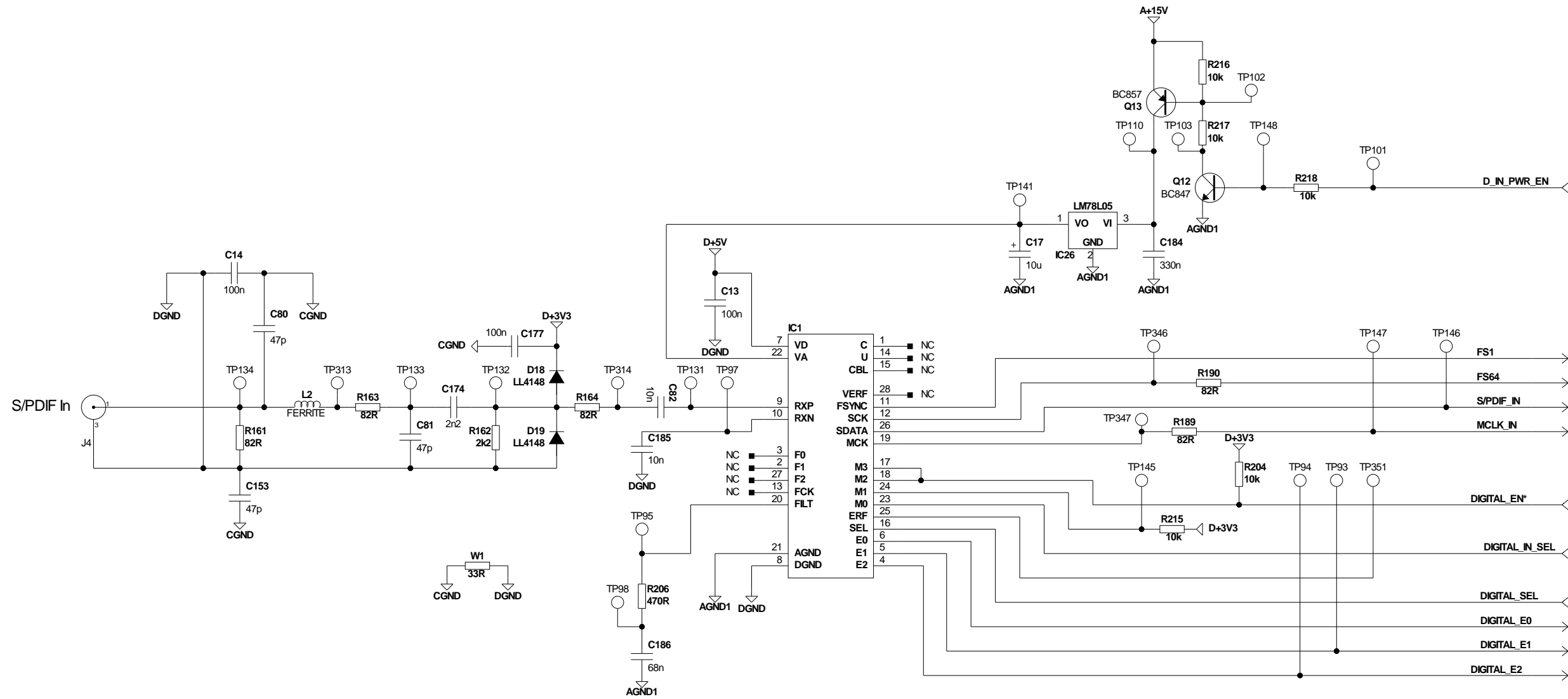
Note: Only one of the Flash types are mounted

SOJ36/300 mil - 128k/512k

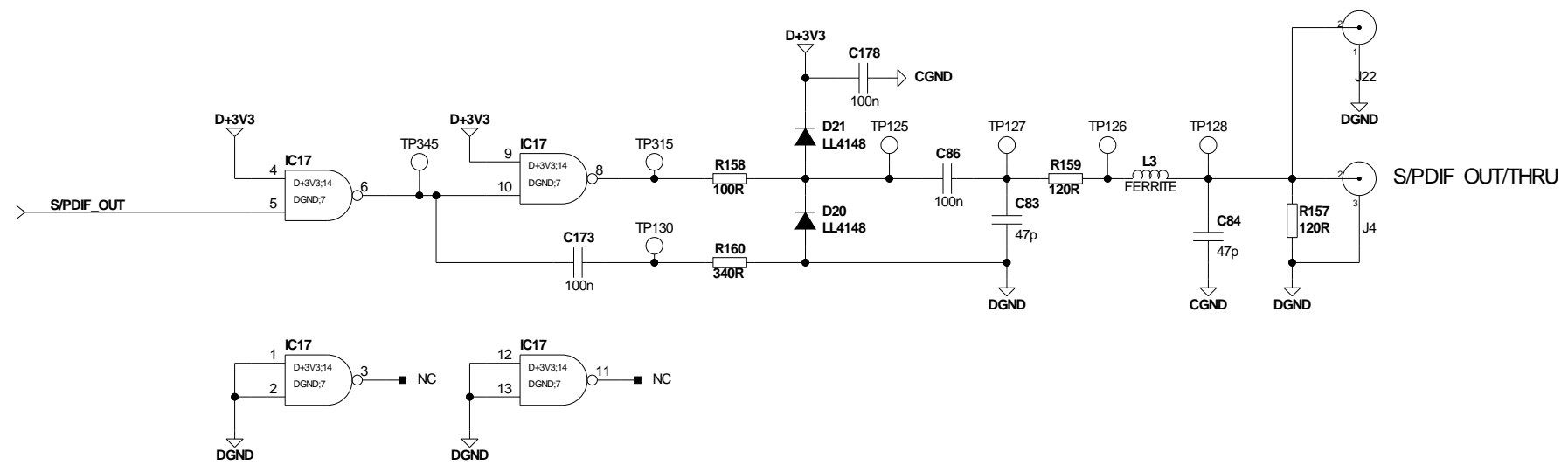
SOJ36/400 mil - 128k/512k



These SRAM devices defines the PCB layout



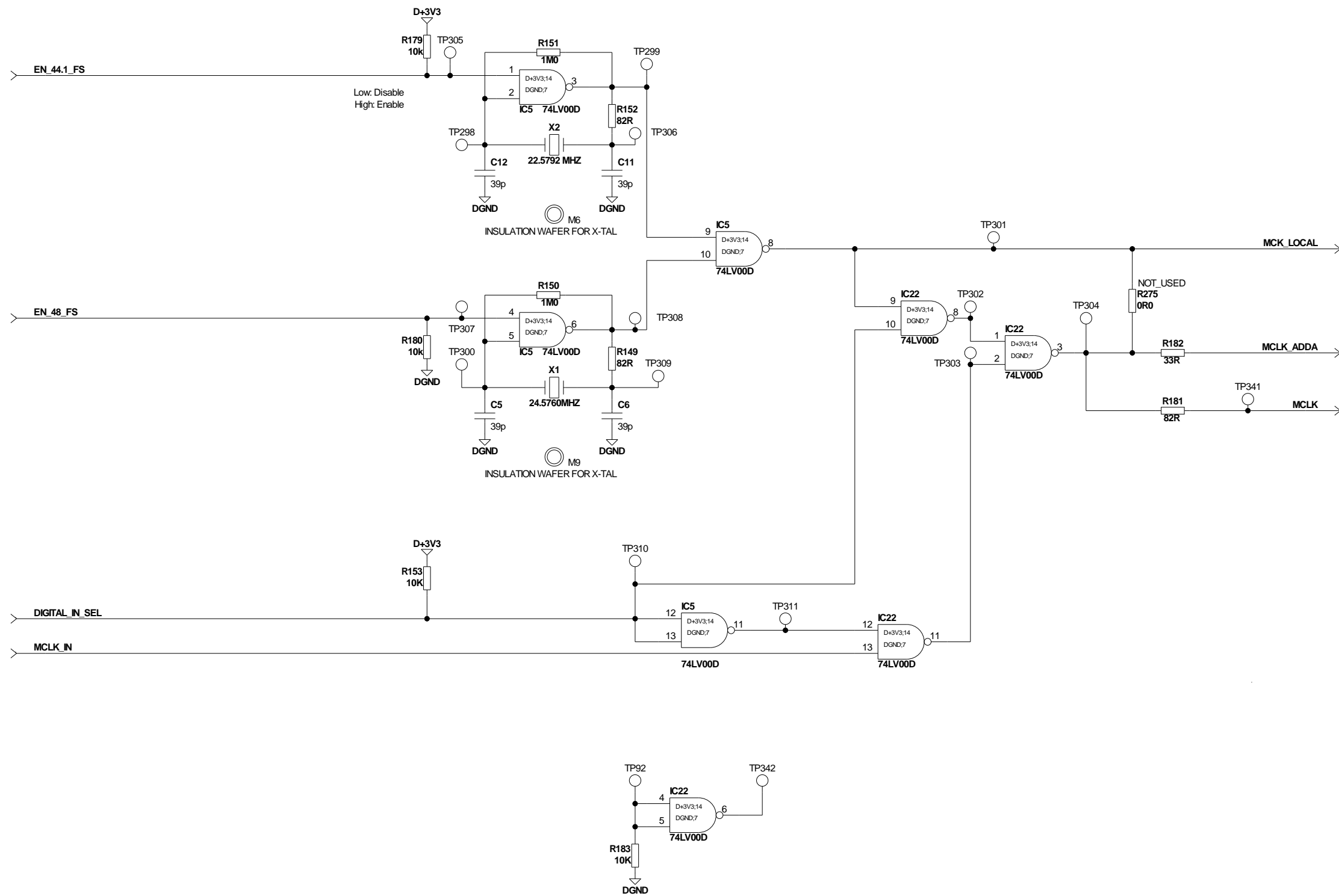
<b>TC Electronic A/S</b>		Designer HK, MAR, NIM
Title TC SMC 2-4		Module title DIGITAL INPUT
Number P16007	Revision BAA	Previous page 1
Date 6-23-2004_10:59	Filename DIGITAL_IN	Page / of 11 / 14

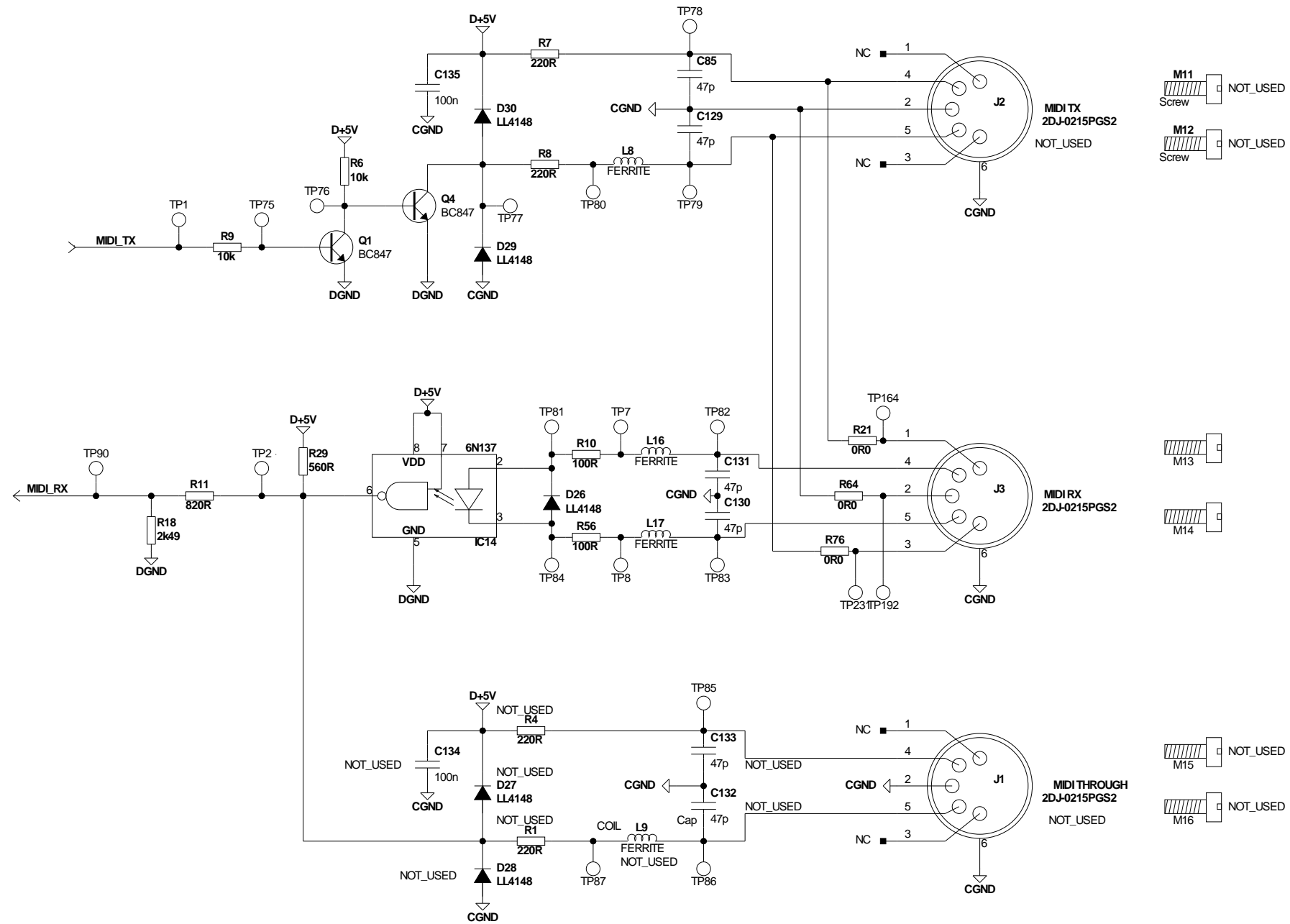


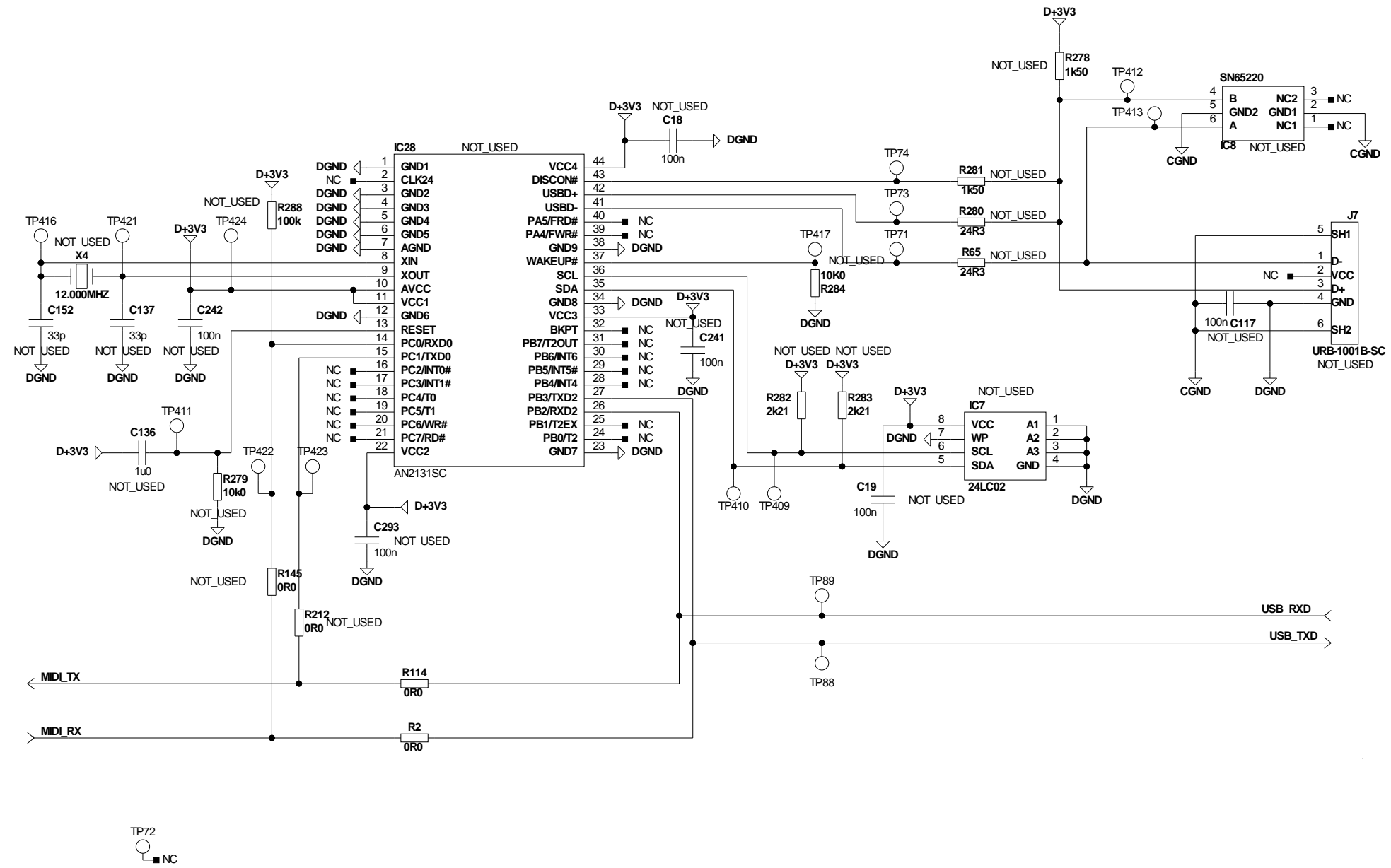
TC Electronic A/S		Designer HK, MAR, NIM
Title TC SMC 2-4	Module title DIGITAL OUTPUT	
Number P16007	Revision BAA	Previous page 1
Date 6-23-2004_10:59	Filename DIGITAL_OUT	Page / of 12 / 14



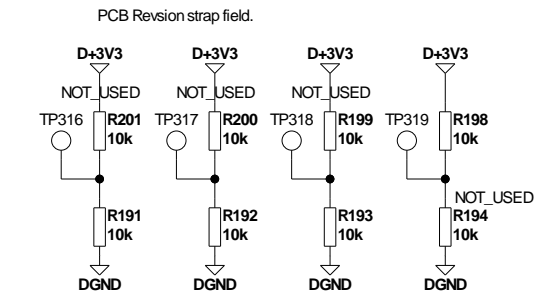
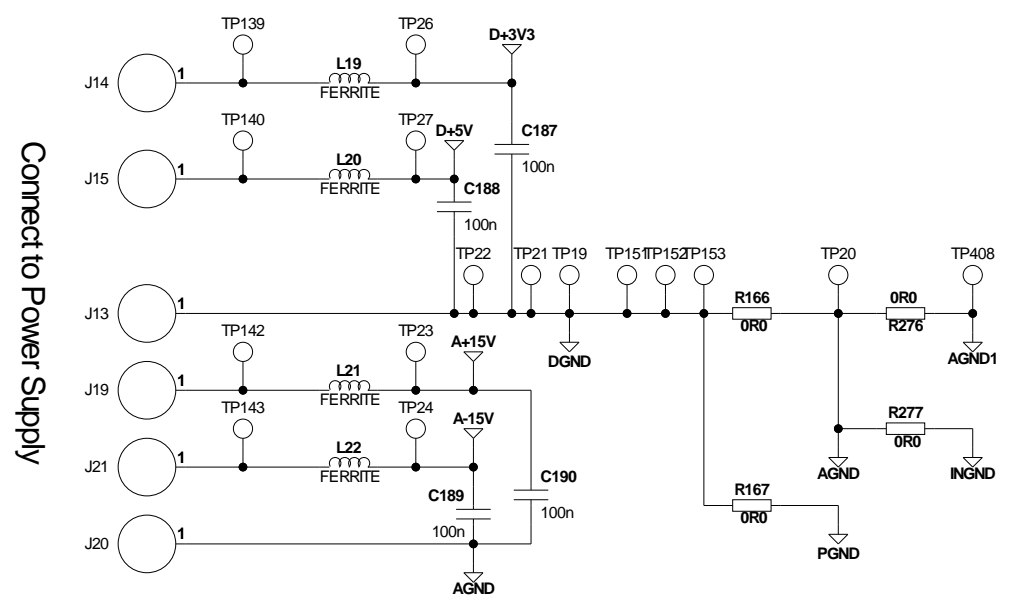
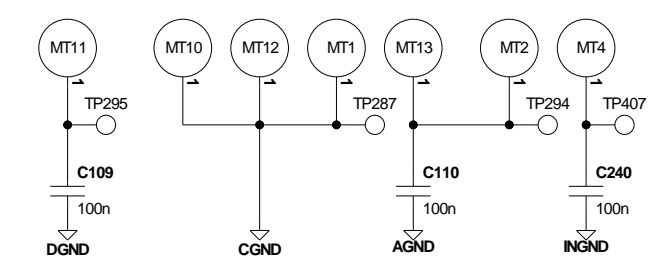
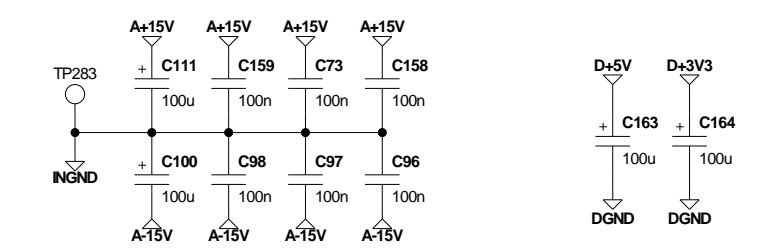
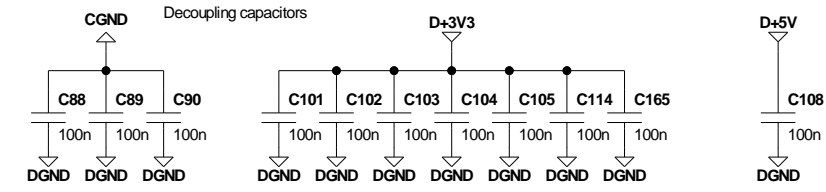
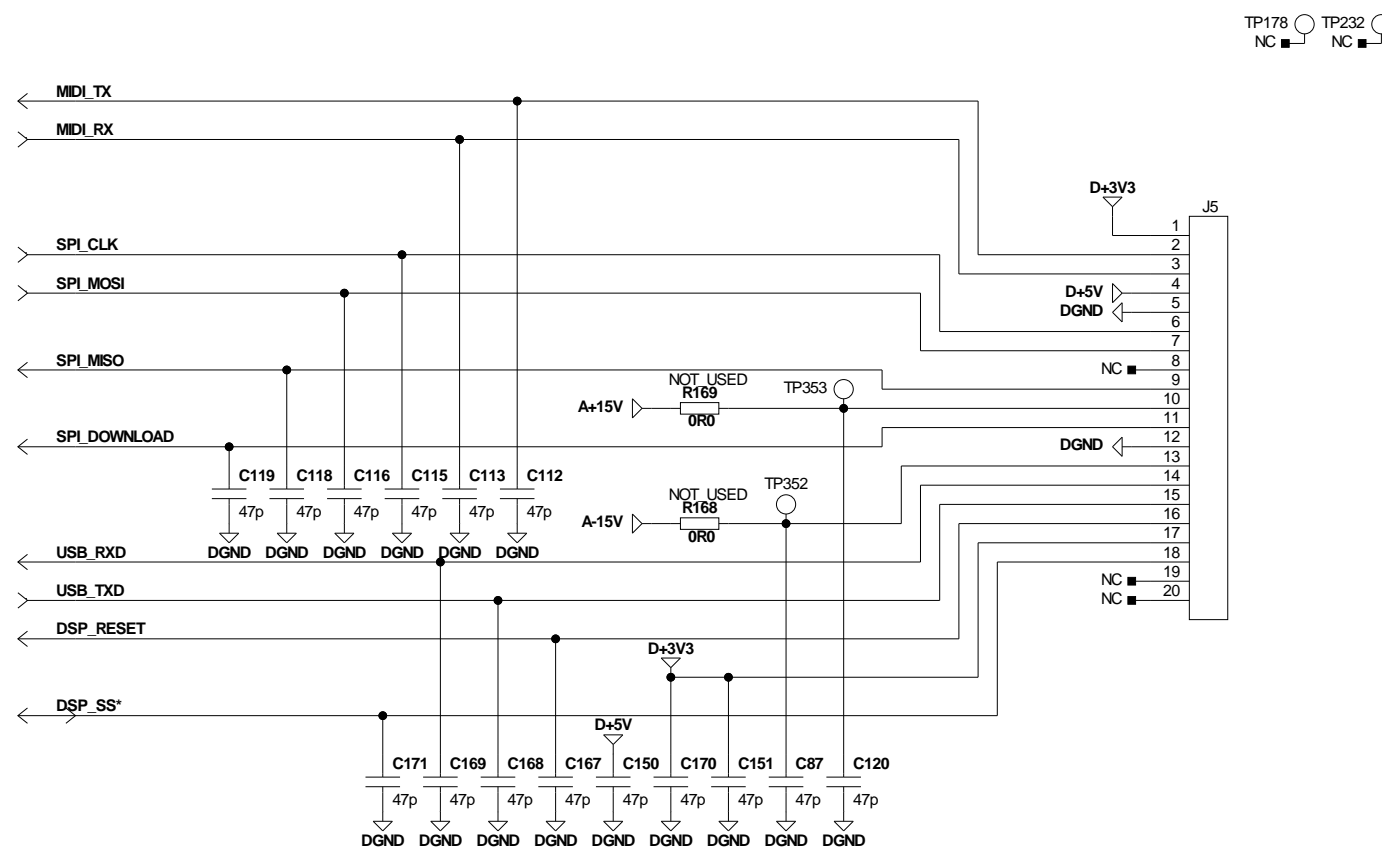




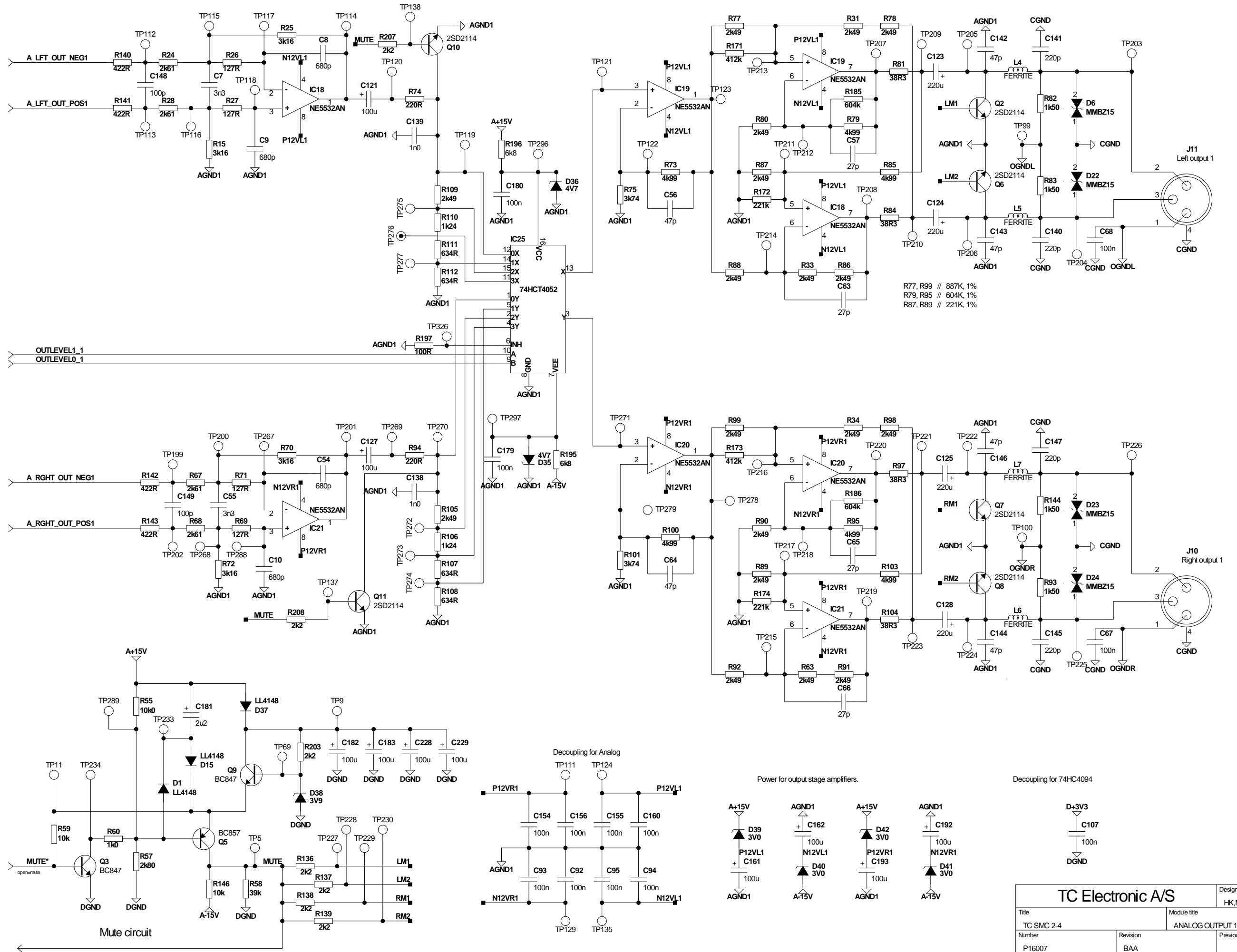




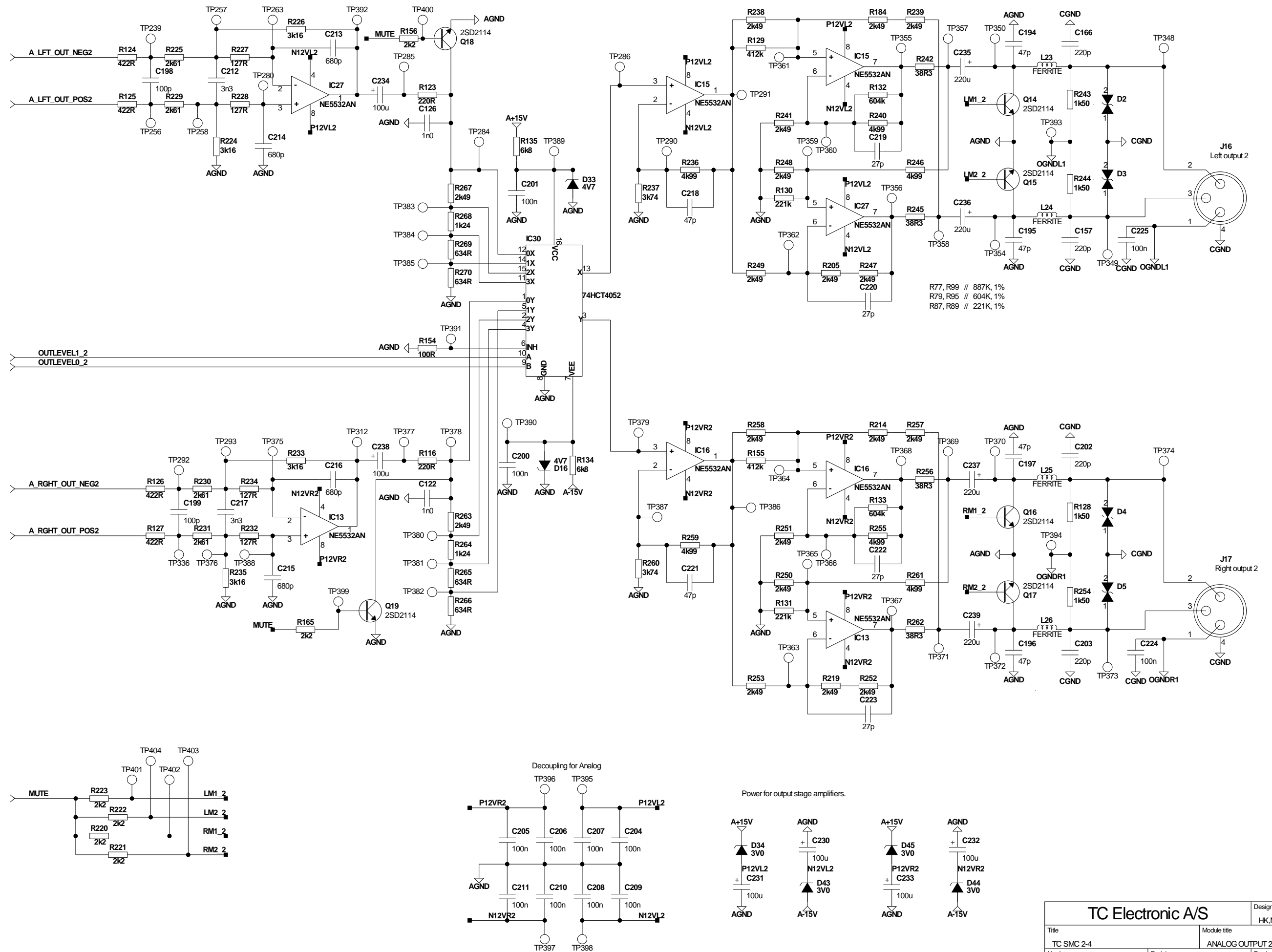
Connect to Front



TC Electronic A/S		Designer HK, MAR, NIM
Title TC SMC 2-4	Module title INTERFACE TO FRONT AND POWER	
Number P16007	Revision BAA	Previous page 1
Date 6-22-2004_16:26	Filename INTERFACE	Page / of 2 / 14



<b>TC Electronic A/S</b>		Designer HK,MAR,NIM
Title TC SMC 2-4	Module title ANALOG OUTPUT 1	
Number P16007	Revision BAA	Previous page 1
Date 6-22-2004_15:02	Filename ANALOG_OUT1	Page / of 9 / 14



<b>TC Electronic A/S</b>		Designer HK,MAR,NIM
Title TC SMC 2-4	Module title ANALOG OUTPUT 2	
Number P16007	Revision BAA	Previous page 1
Date 6-22-2004_16:26	Filename ANALOG_OUT2	Page / of 10 / 14