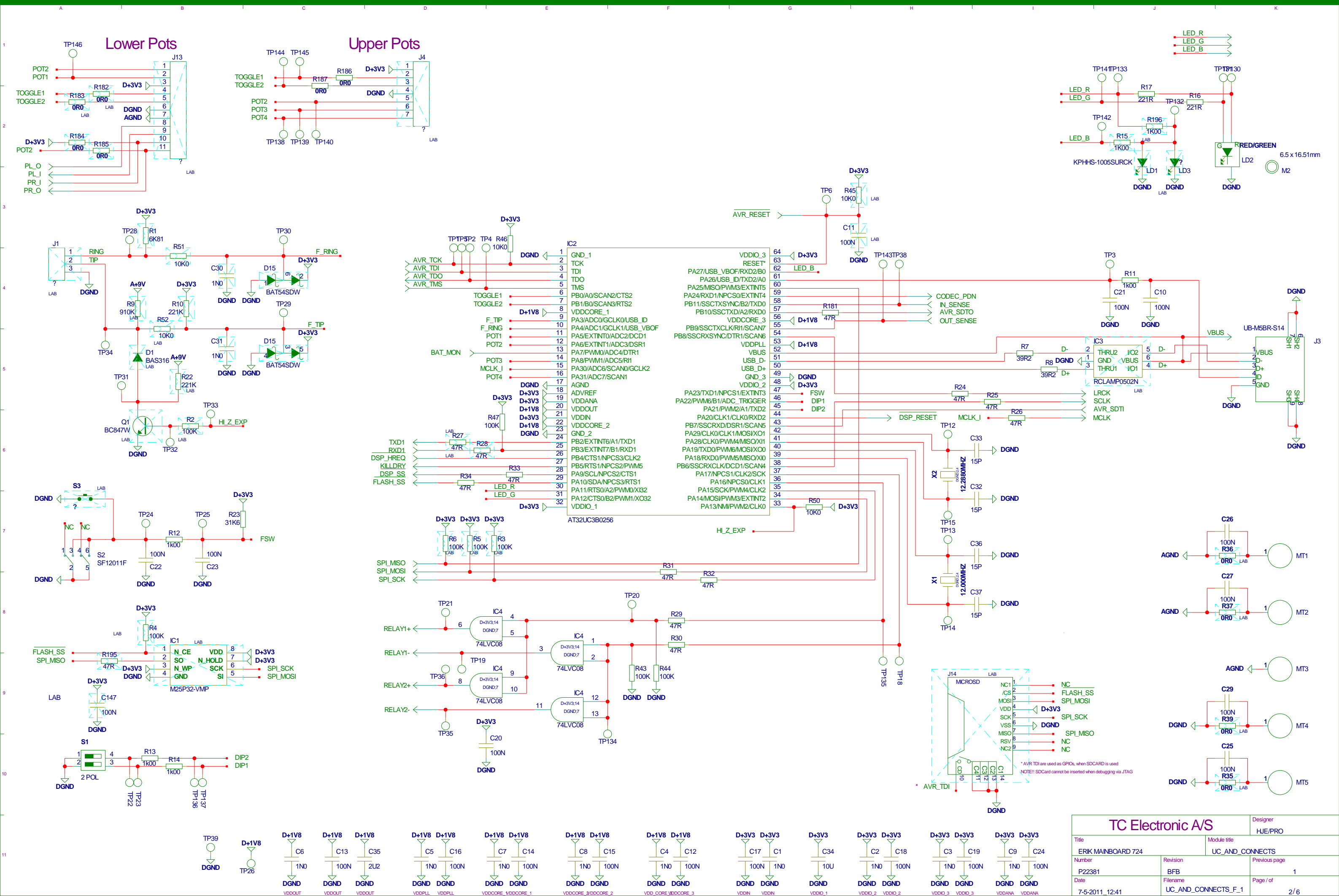


M1  
P22381-B

### The Dreamscape

TC Electronic A/S		Designer
ERIK MAINBOARD 724		HJE/PRO
Module title		OVERVIEW
Number	Revision	Previous page
P22381	BFB	XX
Date	Filename	Page / of
7-5-2011_12:41	P22381-B_F	1 / 6



### Lower Pots

### Upper Pots

### LED R G B

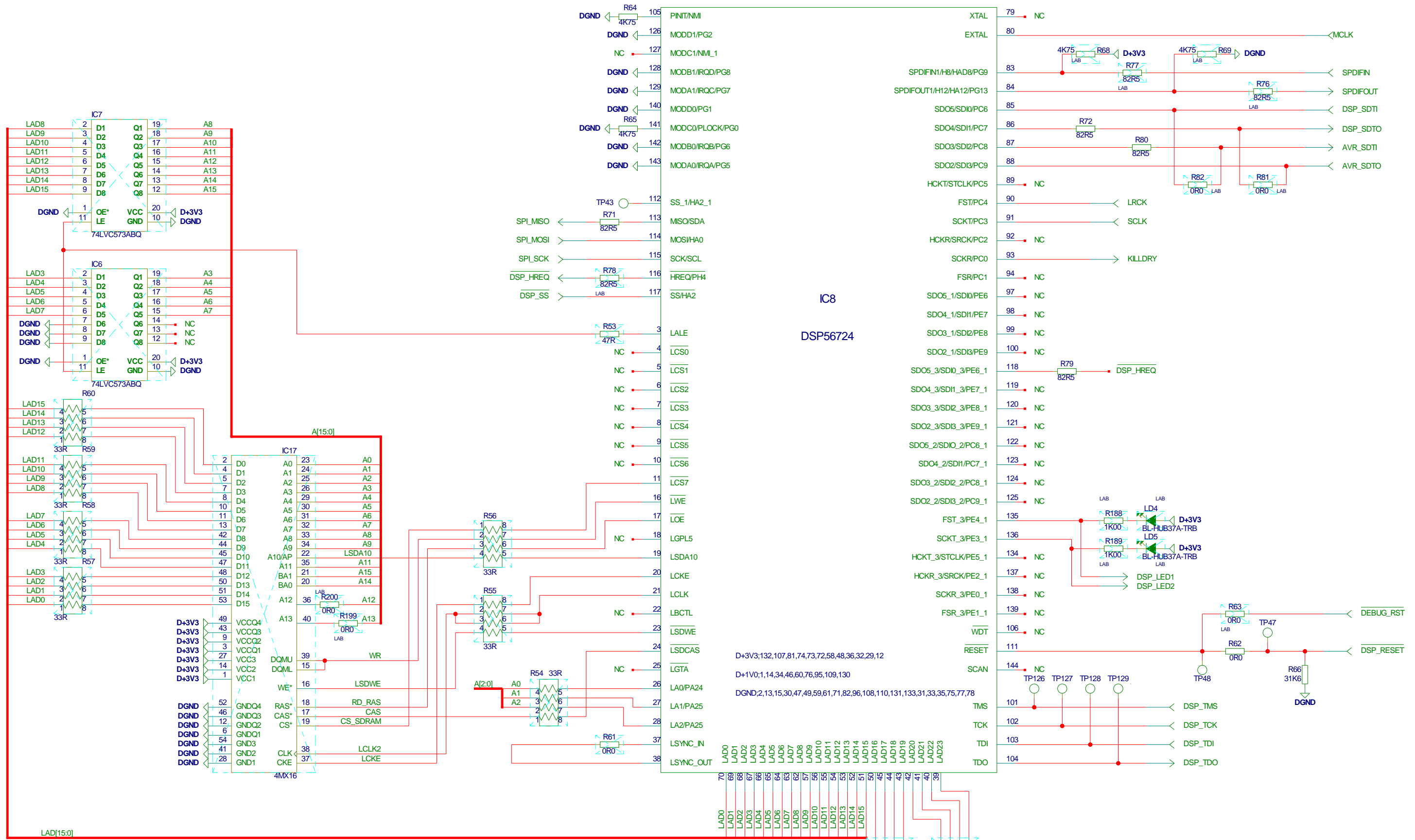
**IC2 AT32UC3B0256**

1	GND_1	64	VDDIO_3
2	TCK	63	RESET
3	TDI	62	LED_B
4	TDO	61	PA27/USB_VBOF/RXD2/B0
5	TMS	60	PA26/USB_ID/TXD2/A0
6	PB0/A0/SCAN2/CTS2	59	PA25/MISO/PWM3/EXTINT5
7	PB1/B0/SCAN3/RTS2	58	PA24/RXD1/NPCSO/EXTINT4
8	VDDCORE_1	57	PB11/SSCTXSYNC/B2/TXD0
9	PA3/ADC0/GCLK0/USB_ID	56	PB10/SSCTXD/A2/RXD0
10	PA4/ADC1/GCLK1/USB_VBOF	55	VDDCORE_3
11	PA5/EXTINT0/ADC2/DCD1	54	VDDPLL
12	PA6/EXTINT1/ADC3/DSR1	53	VBUS
13	PA7/PWM0/ADC4/DTR1	52	USB_D-
14	PA8/PWM1/ADC5/RD1	51	USB_D+
15	PA9/SDA/NPCS3/RTS1	50	USB_D+
16	PA31/ADC7/SCAN1	49	GND_3
17	AGND	48	VDDIO_2
18	ADVREF	47	D+3V3
19	VDDANA	46	D+3V3
20	VDDOUT	45	D+1V8
21	VDDIN	44	D+1V8
22	VDDCORE_2	43	D+1V8
23	GND_2	42	DGND
24	PB2/EXTINT6/A1/TXD1	41	D+3V3
25	PB3/EXTINT7/B1/RXD1	40	D+3V3
26	PB4/CTS1/NPCS3/CLK2	39	D+3V3
27	PB5/RTS1/NPCS2/PWM5	38	D+3V3
28	PA9/SCL/NPCS2/CTS1	37	DGND
29	PA10/SDA/NPCS3/RTS1	36	D+3V3
30	PA11/RTS0/A2/PWM0/XB2	35	D+3V3
31	PA12/CTS0/B2/PWM1/XC32	34	D+3V3
32	VDDIO_1	33	DGND

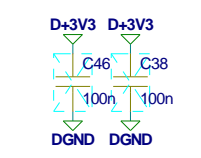
### TC Electronic A/S

Title		Module title	
ERIK MAINBOARD 724		UC_AND_CONNECTS	
Number	Revision	Previous page	
P22381	BFB	1	
Date	Filenam	Page / of	
7-5-2011 12:41	UC_AND_CONNECTS_F_1	2/6	

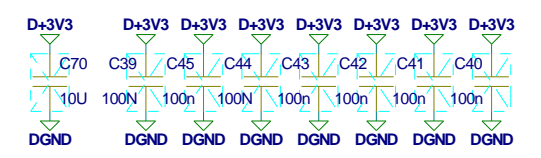
TP39	D+1V8	D+1V8	D+1V8	D+1V8	D+1V8	D+1V8	D+1V8	D+1V8	D+1V8	D+1V8	D+3V3	D+3V3	D+3V3	D+3V3	D+3V3	D+3V3	D+3V3	D+3V3		
DGND	C6	C13	C35	C5	C16	C7	C14	C8	C15	C4	C12	C17	C1	C34	C2	C18	C3	C19	C9	C24
DGND	1N0	100N	2U2	1N0	100N	1N0	100N	1N0	100N	1N0	100N	100N	1N0	10U	1N0	100N	1N0	100N	1N0	100N



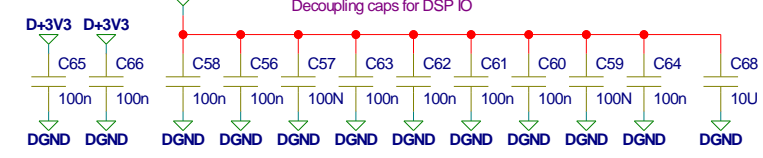
Decoupling caps for Latch



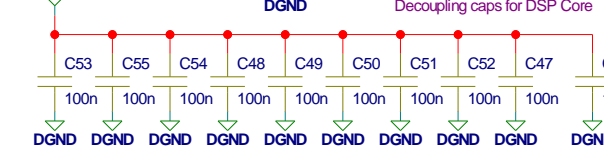
Decoupling caps for SDRAM



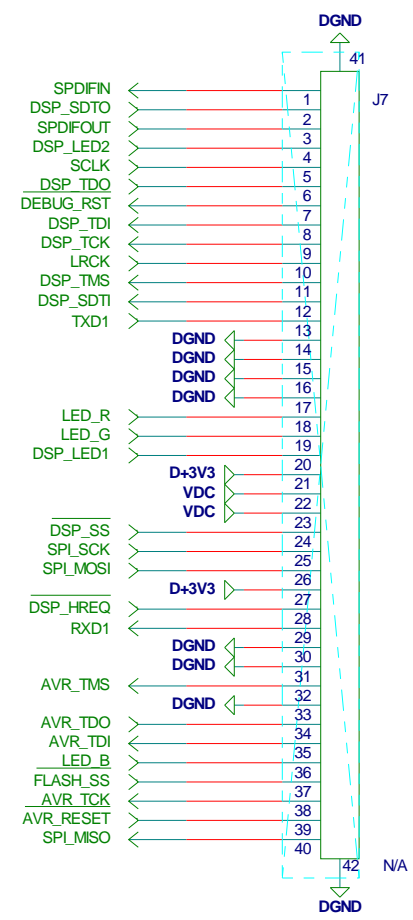
Decoupling caps for DSP IO



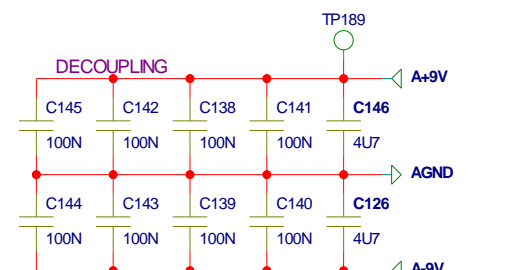
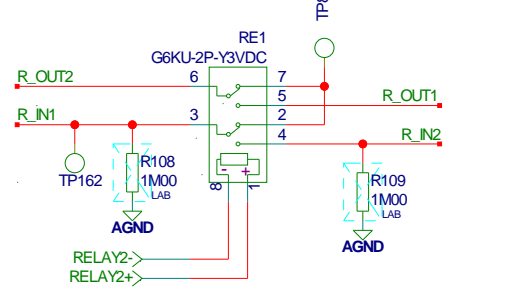
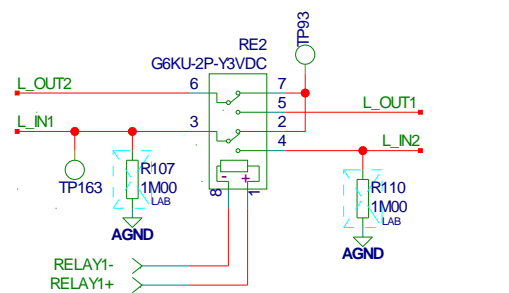
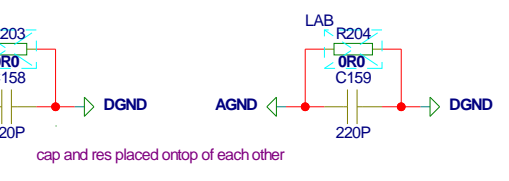
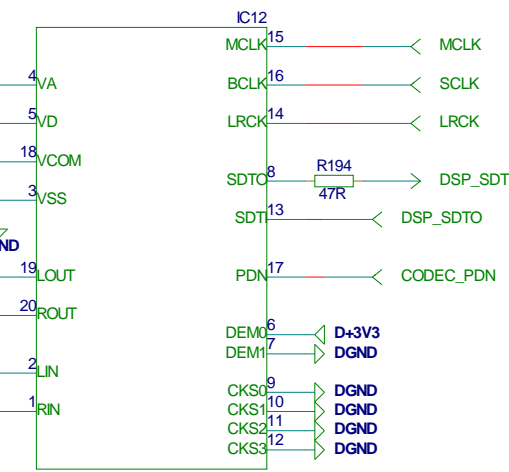
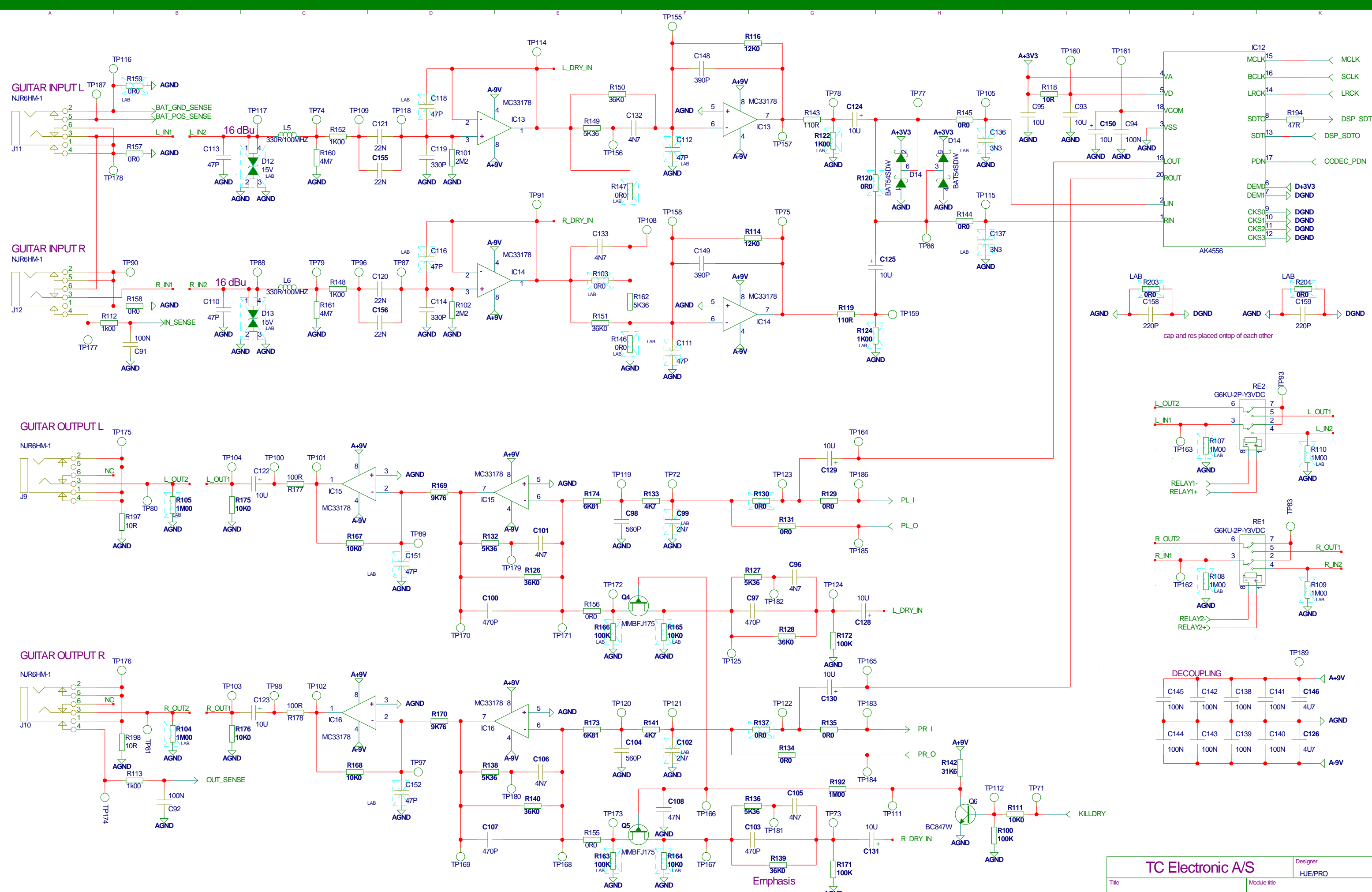
Decoupling caps for DSP Core



<b>TC Electronic A/S</b>		Designer	HJE/PRO
Title		Module title	
ERIK MAINBOARD 724		DSP SECTION	
Number	Revision	Previous page	
P22381	BFB	2	
Date	Filename	Page / of	
7-5-2011_12:41	DSP724_F_1	3 / 6	

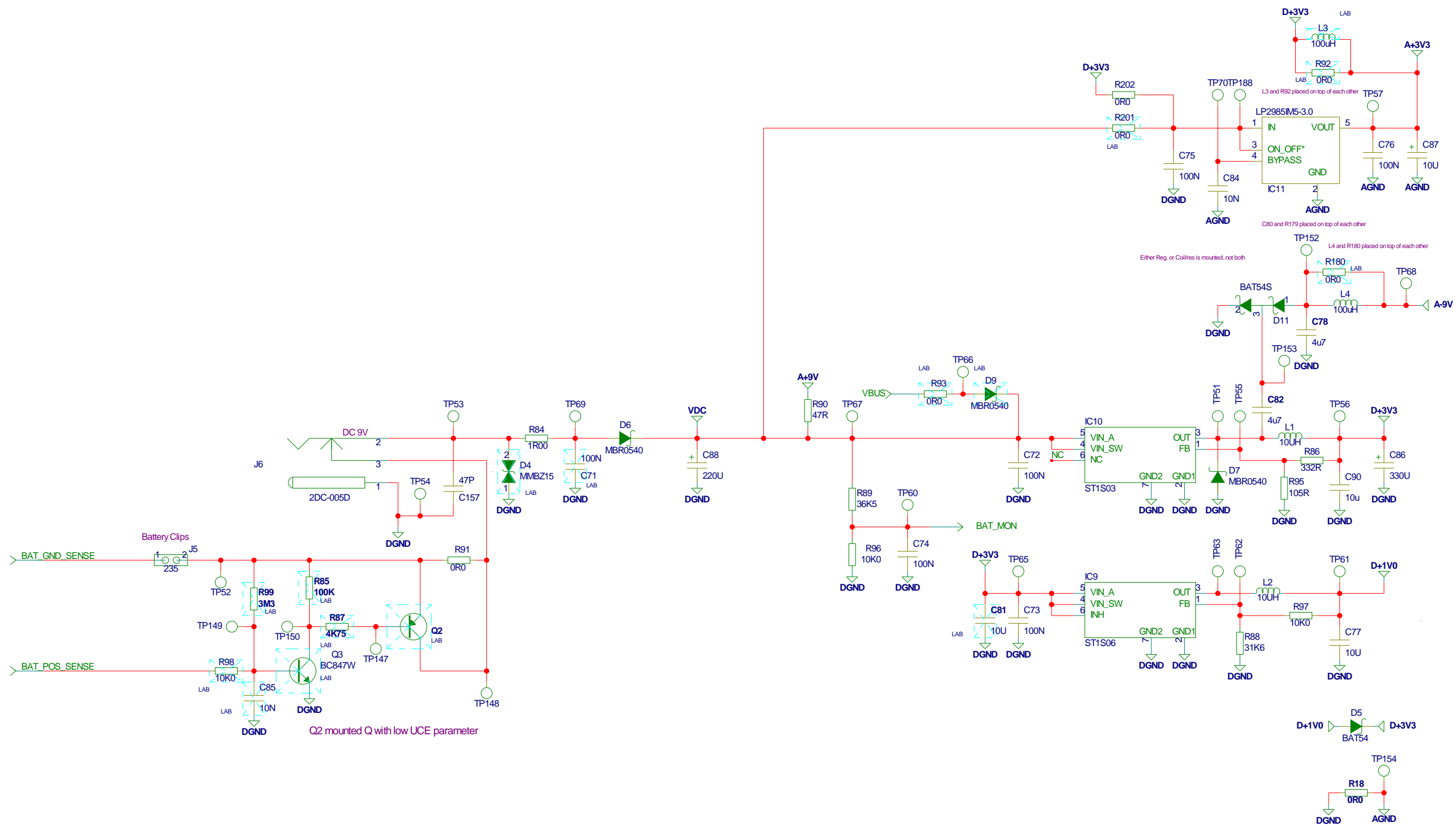


Title ERIK MAINBOARD 724		Module title DEBUG CONNECTOR	
Number P22381	Revision BFB	Previous page 3	
Date 7-5-2011 12:41	Filename DEBUGINTERFACE_F_1	Page / of 4 / 6	



Emphasis

<b>TC Electronic A/S</b>		Designer	HJE/PRO
Title		Module title	
ERK MAINBOARD 724		ANALOG SECTION	
Number	Revision	Previous page	
P22381	BFB	4	
Date	Filenam	Page / of	
7-5-2011_12:41	ANALOG_F_1	5 / 6	



<b>TC Electronic A/S</b>		Designer HJE/PRO
Title ERK MAINBOARD 724		Module title POWER SUPPLY
Number P22381	Revision BFB	Previous page 5
Date 7-5-2011_12:41	Filename POWER_F_1	Page / of 6 / 6