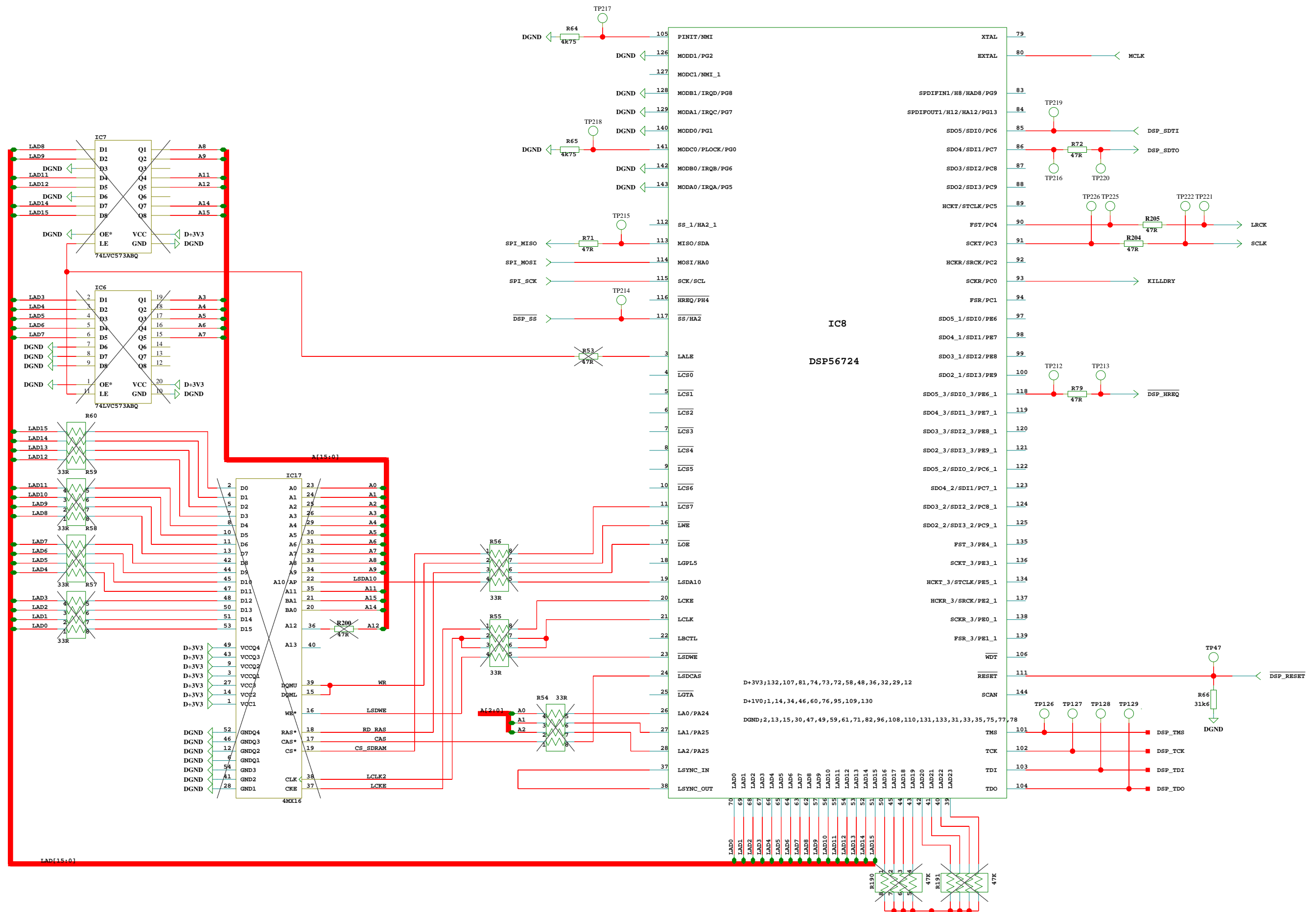
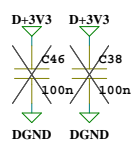


M1
P22381-D
PCB

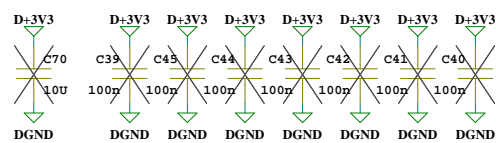
		Designer(s) HJE/PRO		
Title THEDREAMSCAPE (1168-LAIKA)		Module title MODULE TITLE		
Number P22381	Revision D	Variant F	Version A	Board type MAINBOARD
Date 13/09/2013:15:55	Filename P22381-D	Page / of 1 / 5		



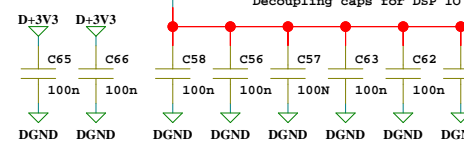
Decoupling caps for Latch



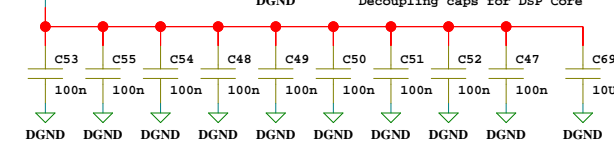
Decoupling caps for SDRAM



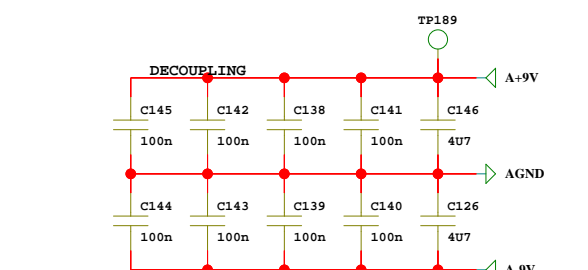
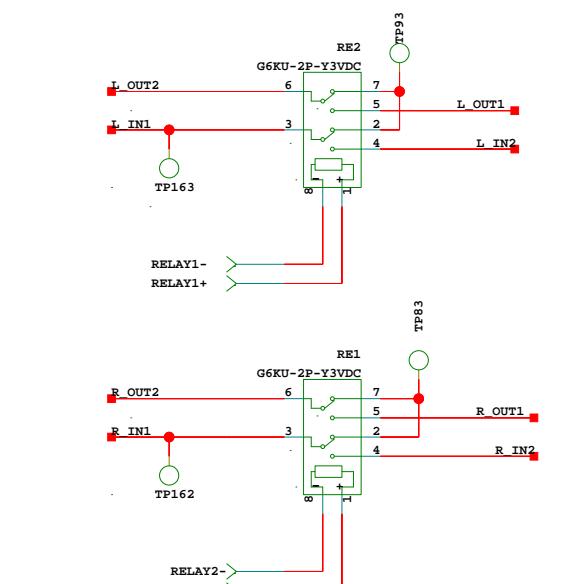
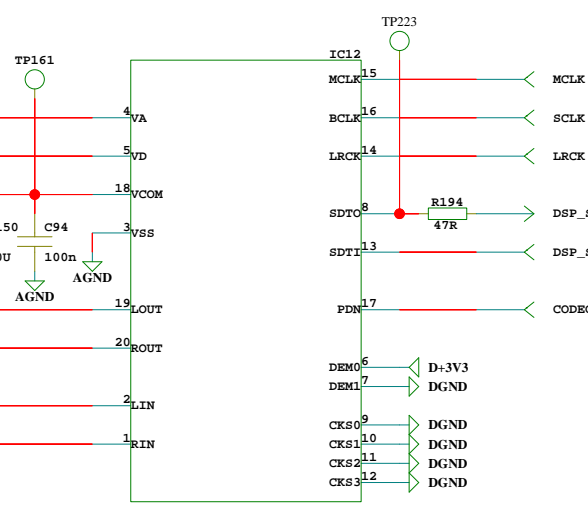
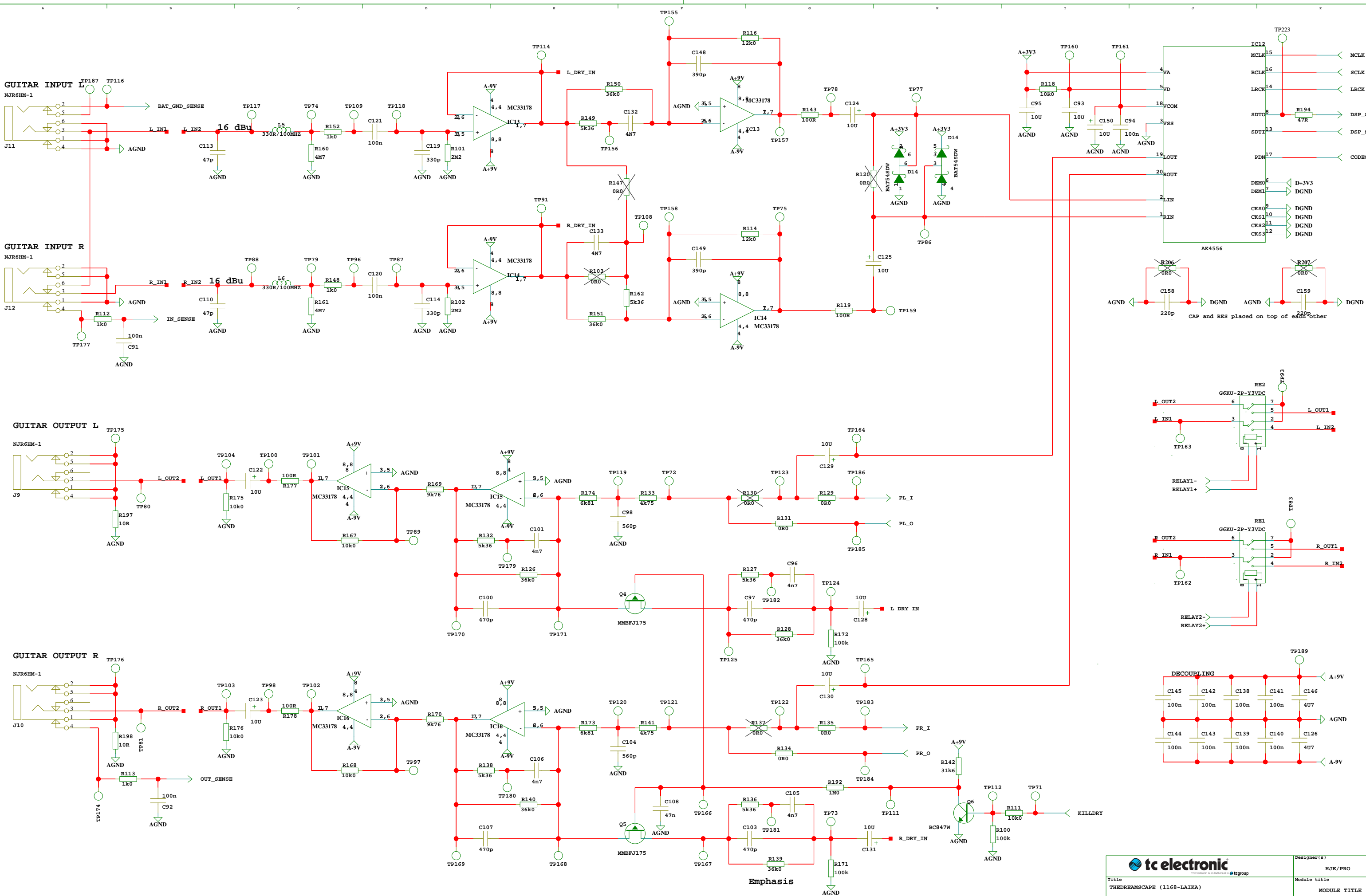
Decoupling caps for DSP IO



Decoupling caps for DSP Core



		Designer(s)		
		HJE/PRO		
Title		Module title		
THEOREMSCAPE (1168-LAIKA)		MODULE TITLE		
Number	Revision	Variant	Version	Board type
F22381	D	F	A	MAINBOARD
Date	Filename	Page / of		
13/09/2013:15:56	dsp724	3 / 5		



Emphasis

tc electronic				Designer(s)	HJE/PRO
Title				Module title	
THEDREAMSCAPE (1168-LAIKA)				MODULE TITLE	
Number	Revision	Variant	Version	Board type	
F22381	D	F	A	MAINBOARD	
Date	Filename	Page / of			
13/09/2013:15:55	analog	4 / 5			

