

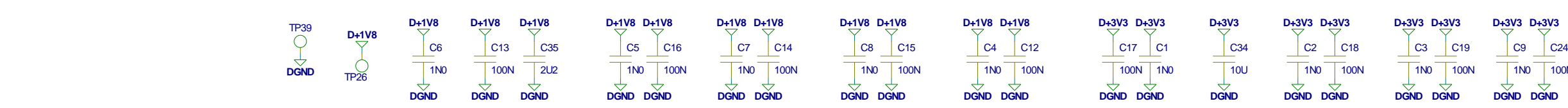
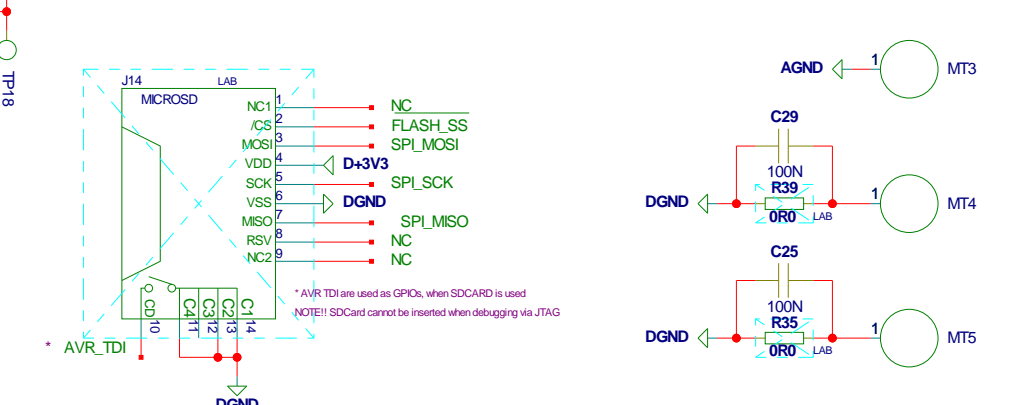
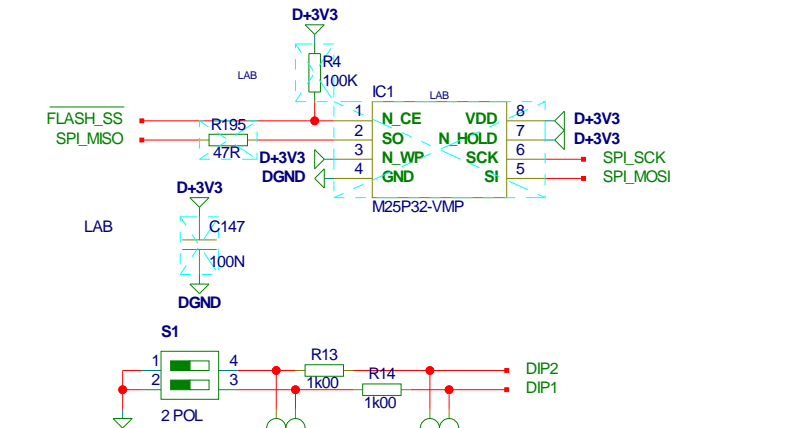
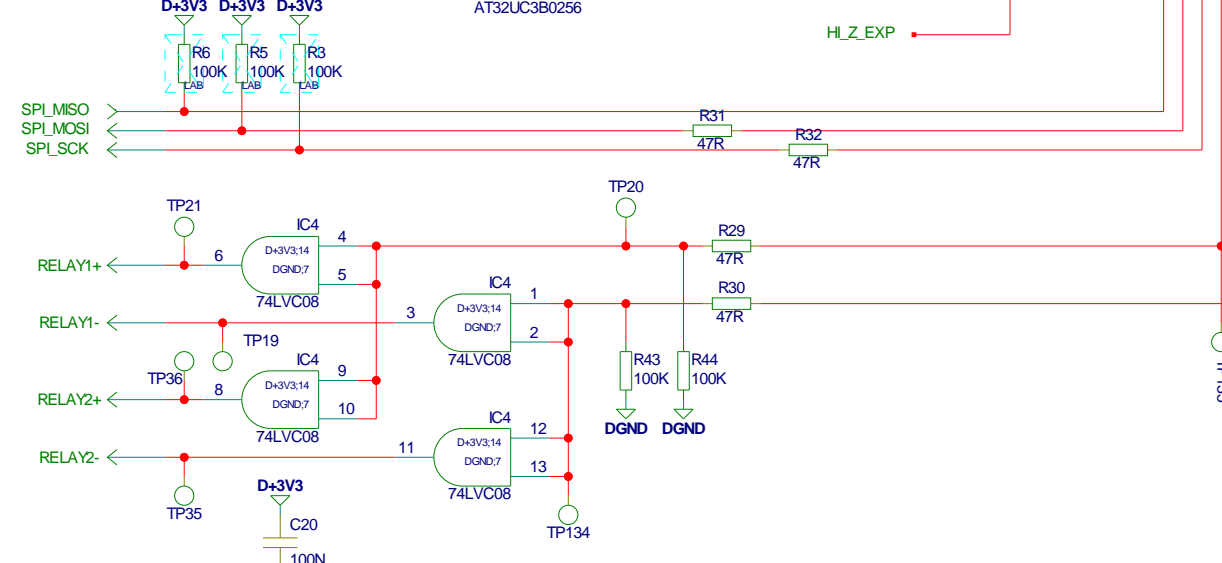
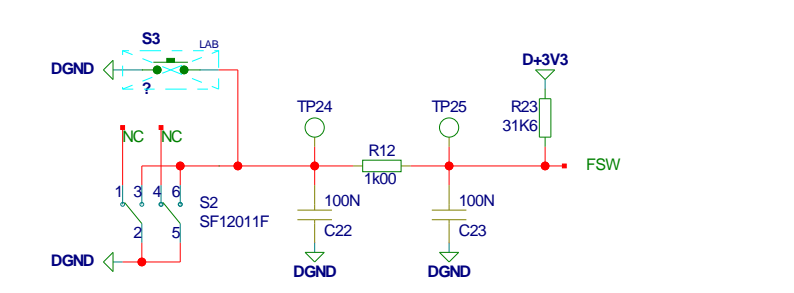
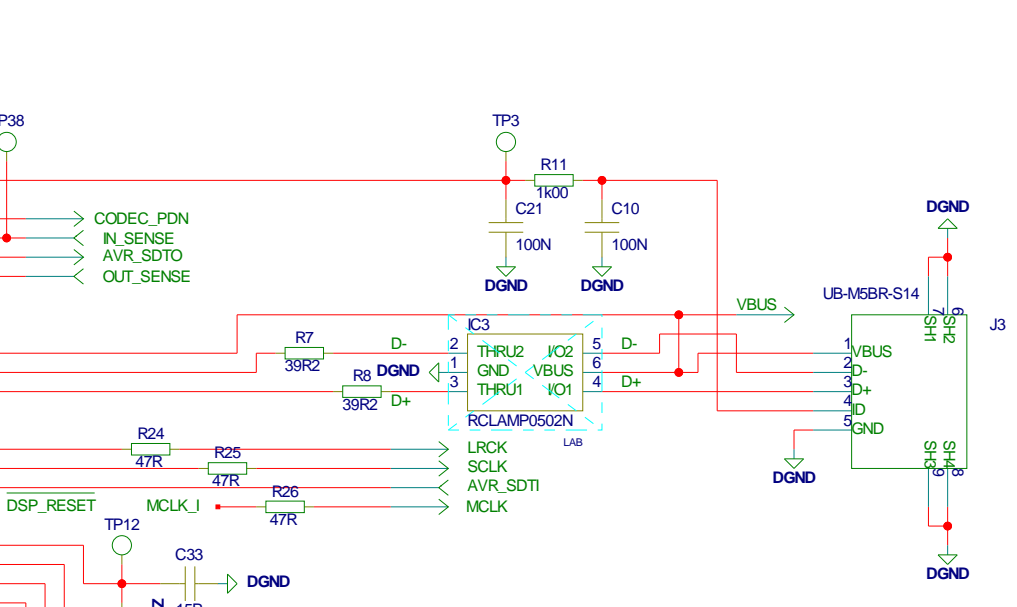
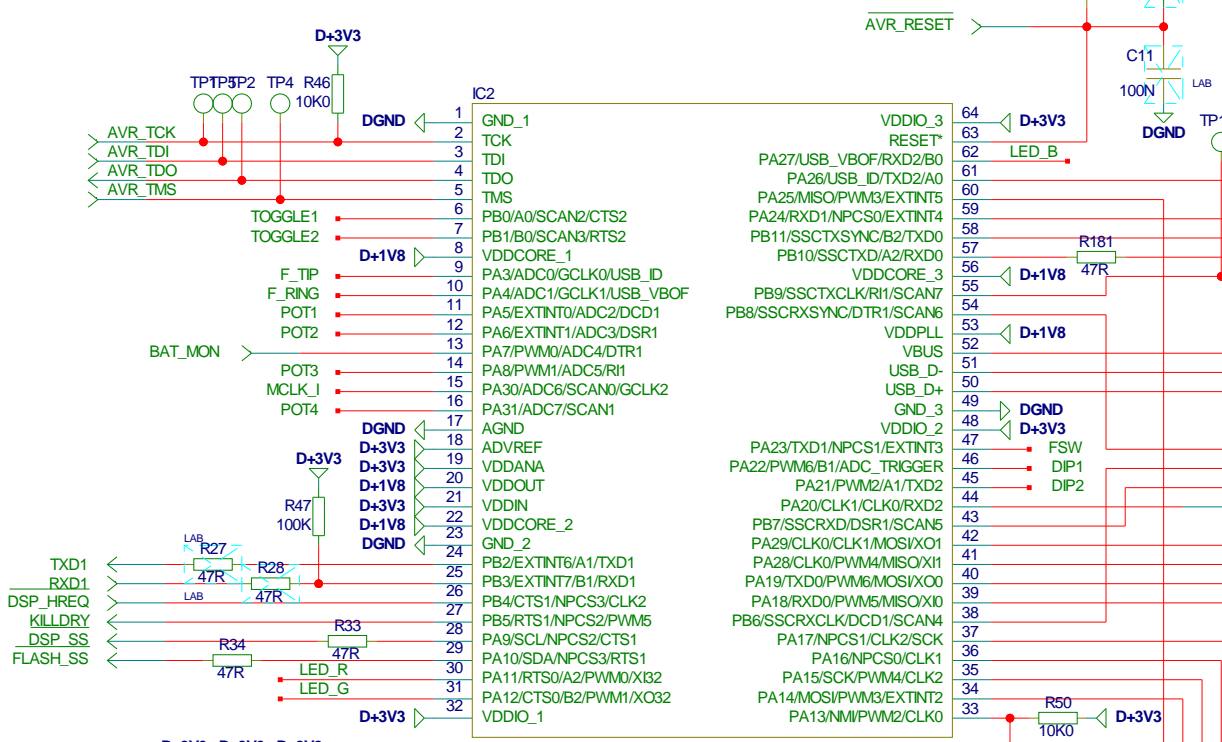
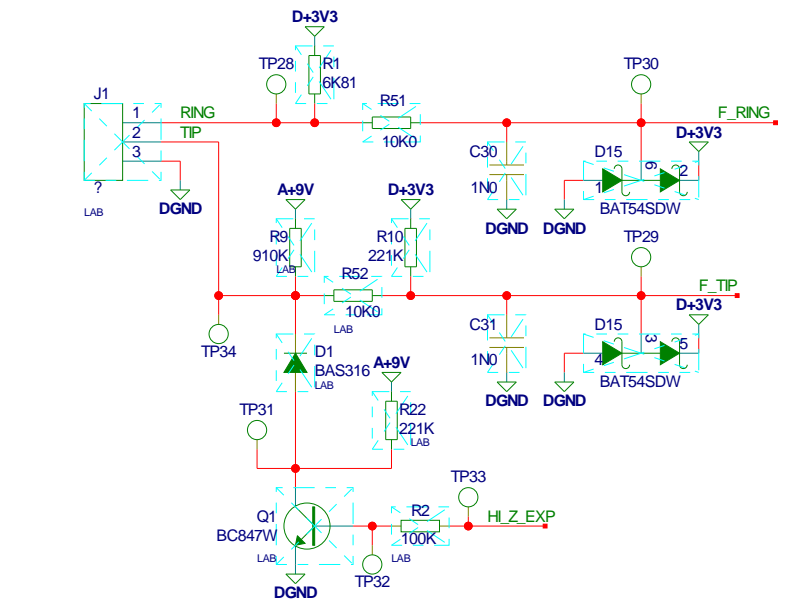
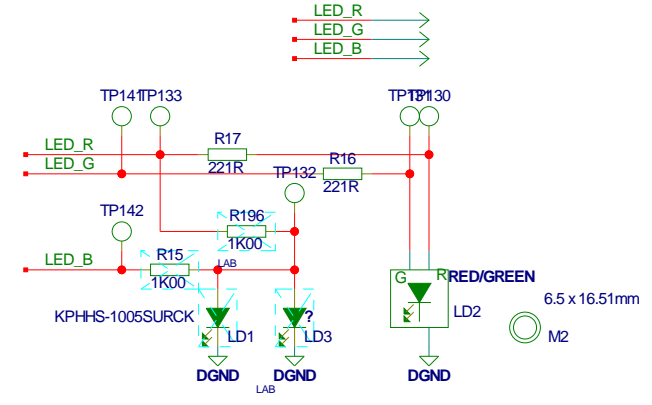
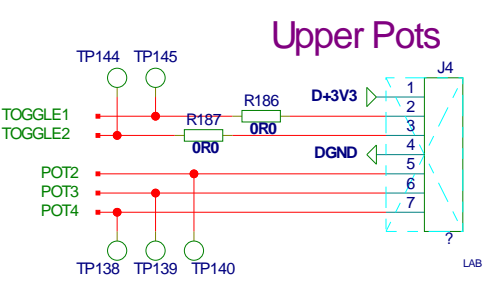
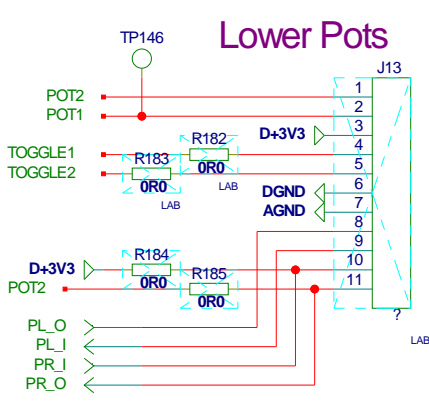
M1
P22381-B

Trinity Delay

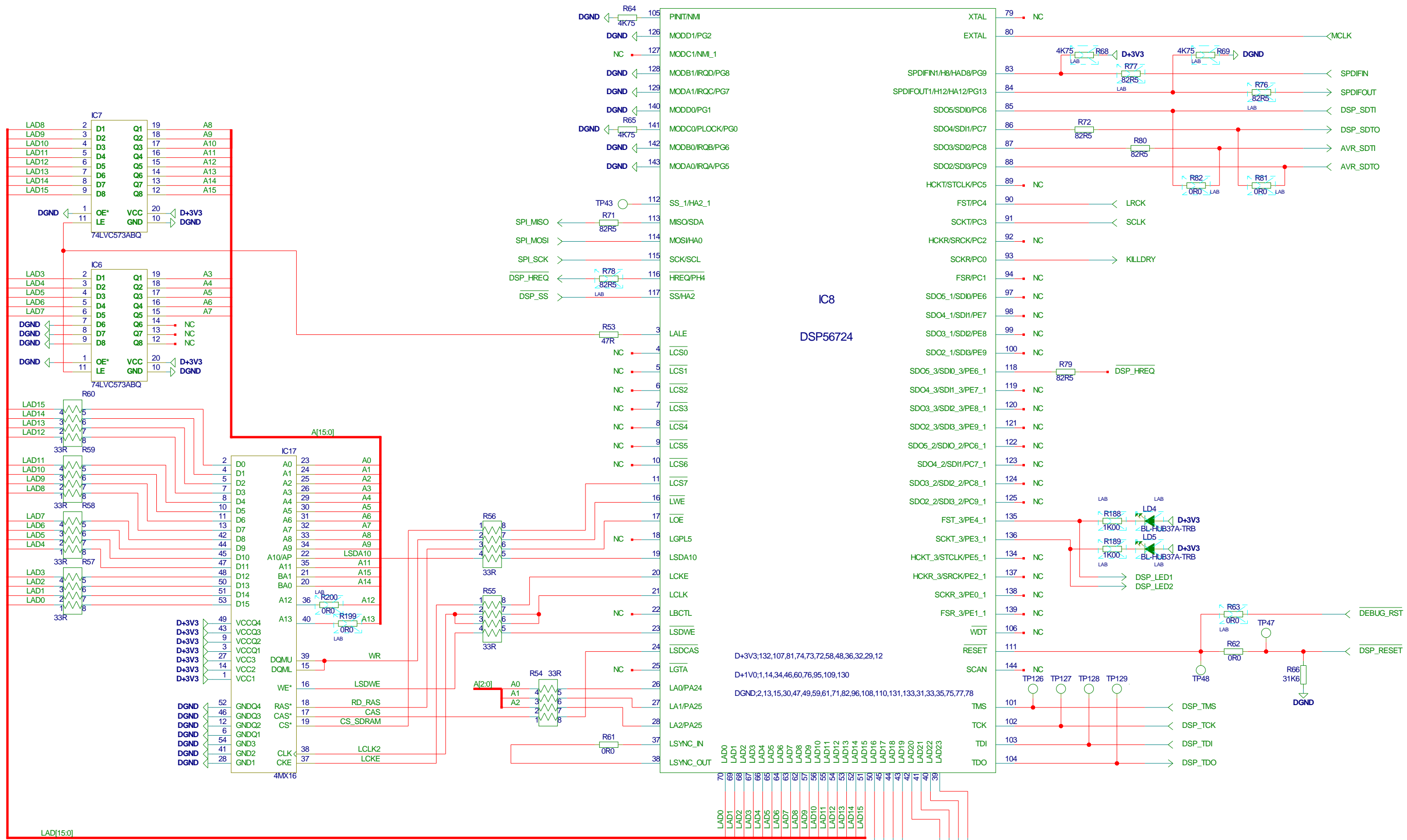
Title		Module title	
ERIK MAINBOARD 724		OVERVIEW	
Number	Revision	Previous page	
P22381	BGA	XX	
Date	Filename	Page / of	
9-7-2011_23:05	P22381-B_G	1 / 6	

TC Electronic A/S

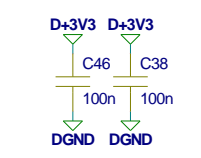
Designer
HJE/PRO



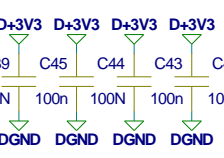
TC Electronic A/S		Designer	HJE/PRO
Title	ERIK MAINBOARD 724	Module title	UC_AND_CONNECTS
Number	P22381	Revision	BGA
Date	9-7-2011_23:05	Filename	UC_AND_CONNECTS_G_1
		Page / of	1 / 6



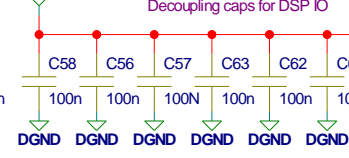
Decoupling caps for Latch



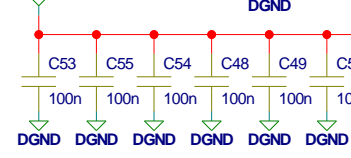
Decoupling caps for SDRAM



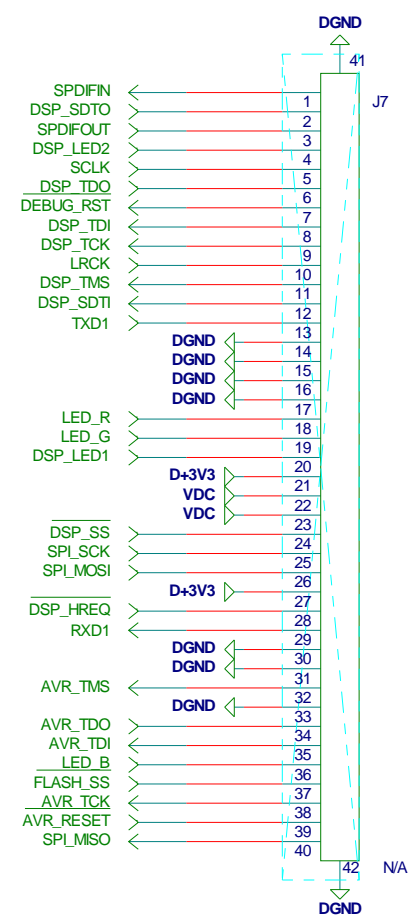
Decoupling caps for DSP IO

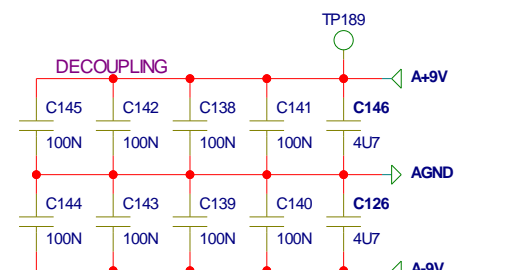
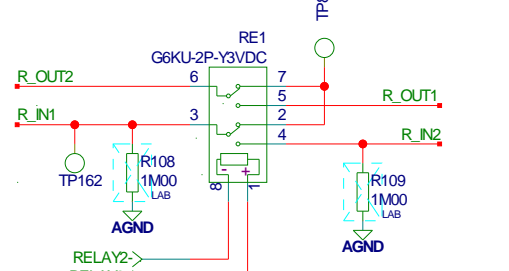
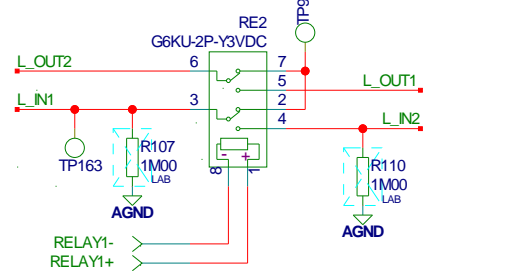
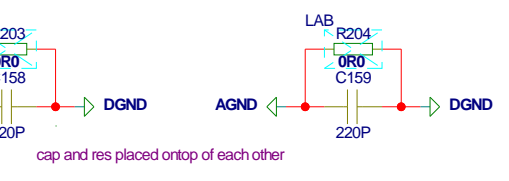
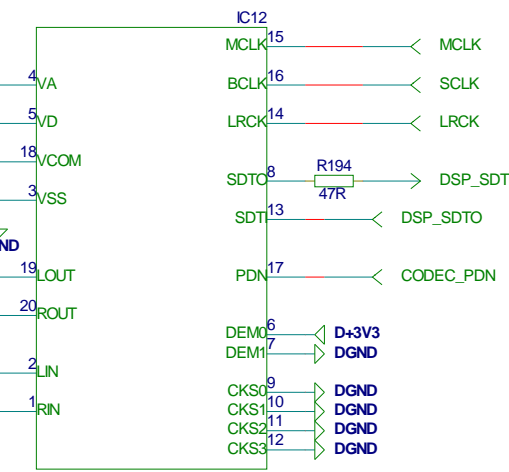
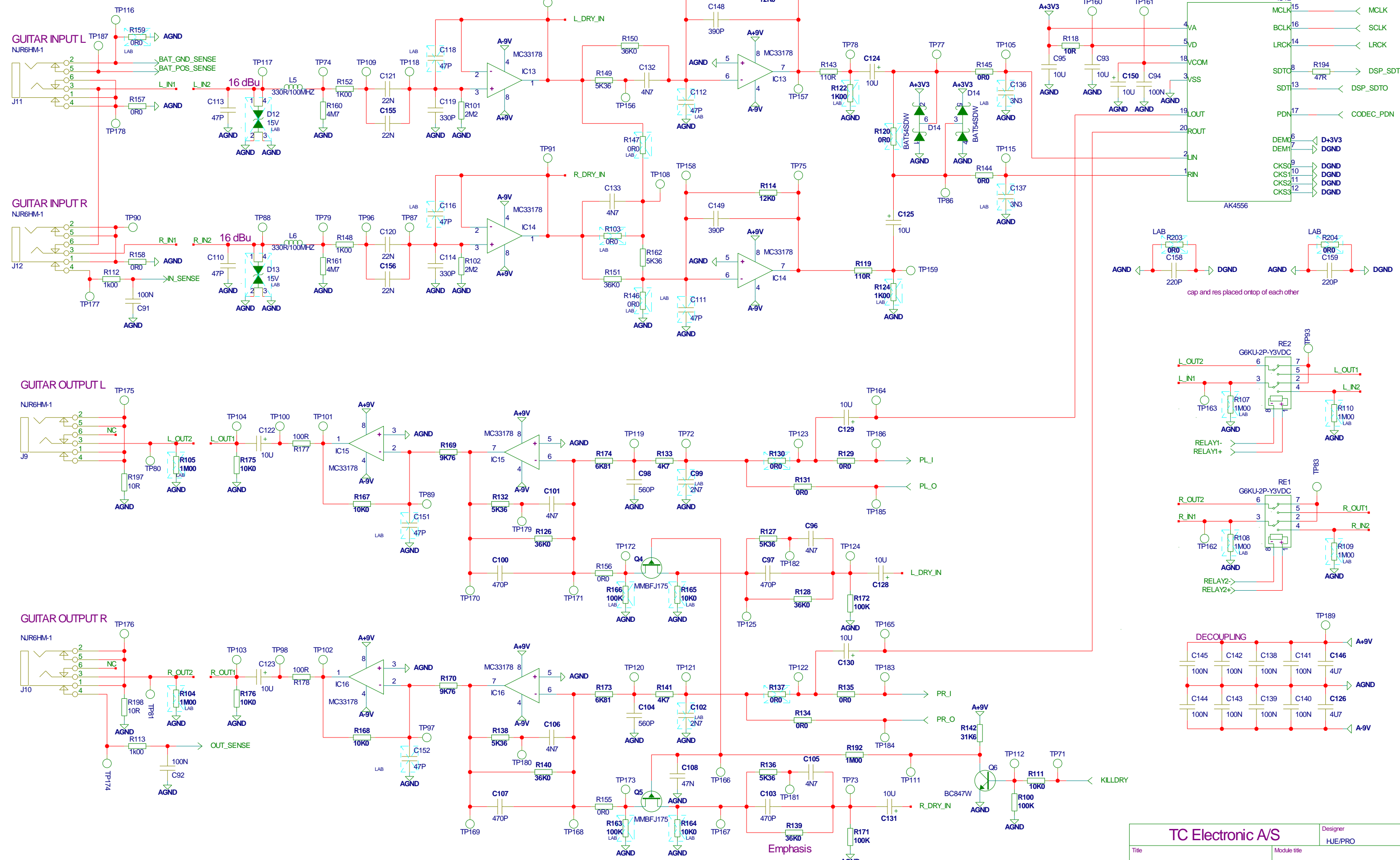


Decoupling caps for DSP Core



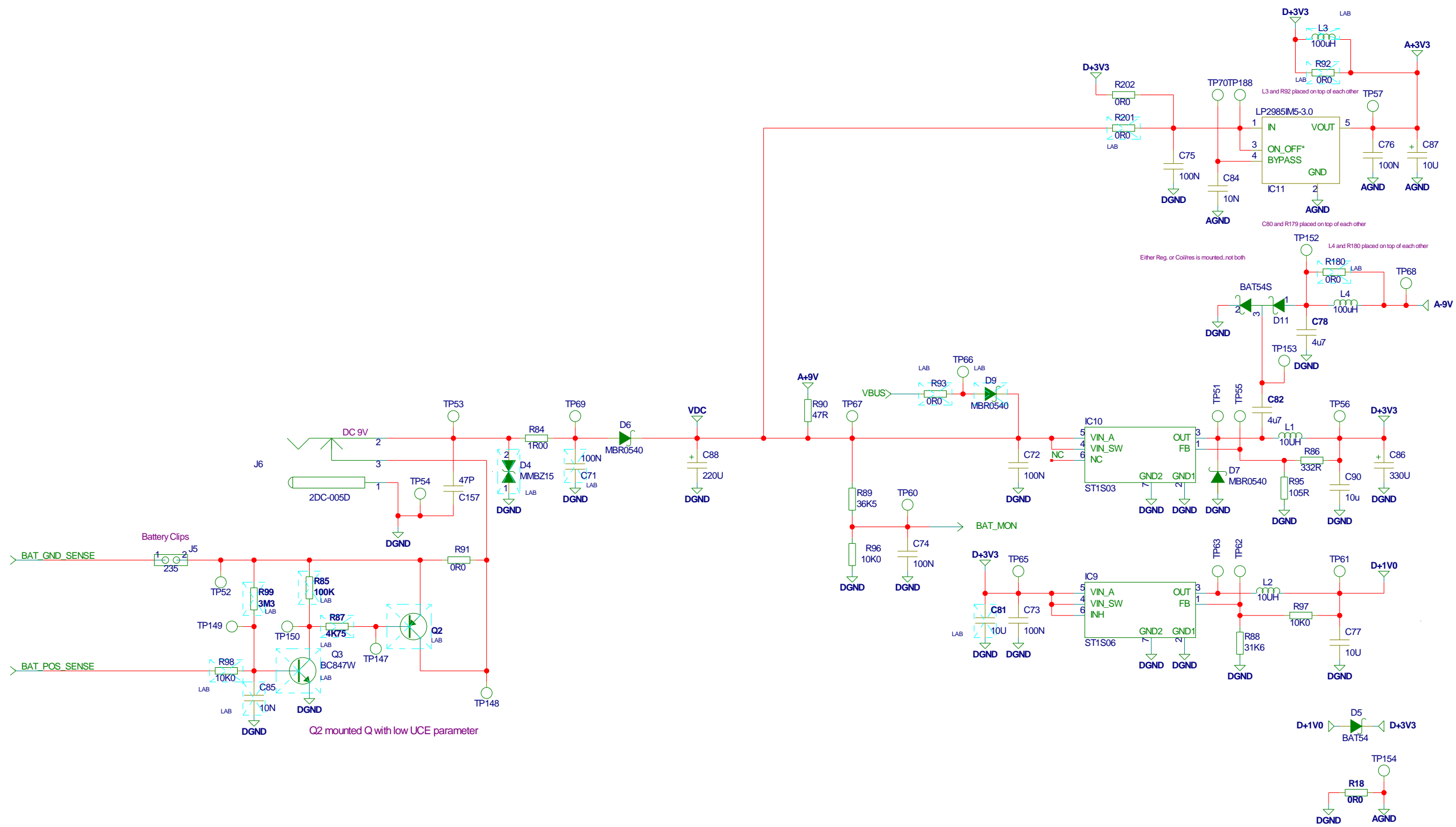
TC Electronic A/S		Designer	HJE/PRO
Title		Module title	
ERIK MAINBOARD 724		DSP SECTION	
Number	Revision	Previous page	
P22381	BGA	2	
Date	Filename	Page / of	
9-7-2011_23:06	DSP724_G_1	3 / 6	





Emphasis

TC Electronic A/S		Designer	HJE/PRO
Title		Module title	
ERK MAINBOARD 724		ANALOG SECTION	
Number	Revision	Previous page	
P22381	BGA	4	
Date	Filenam	Page / of	
9-7-2011_23:06	ANALOG_G_1	5 / 6	



TC Electronic A/S		Designer HJE/PRO
Title ERIK MAINBOARD 724		Module title POWER SUPPLY
Number P22381	Revision BGA	Previous page 5
Date 9-7-2011_23:06	Filename POWER_G_1	Page / of 6 / 6