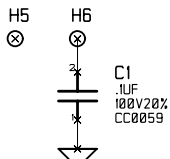
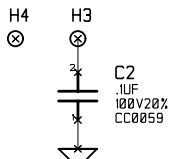


CONFIDENTIAL

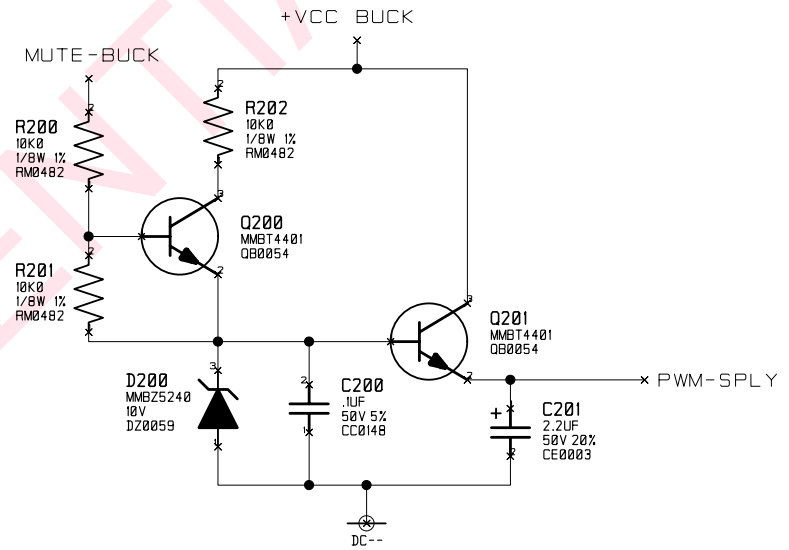
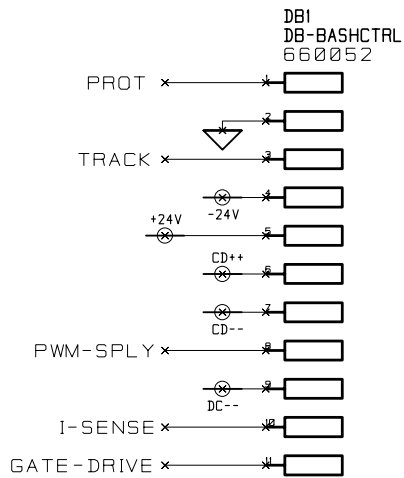
Stand-off Holes

FET Bar Holes

FD1 FD2 FD3



	TITLE: 1xSTA5150 Linear + Buck		
	DRAWN: Andrew Csanyi	SIZE: A2	SCM NO: SH0597-2
MODIFIED:	This drawing and data embody proprietary designs and information, which is the confidential property of Indigo Manufacturing Inc. None of which shall be copied, reproduced, disclosed to others, proposed or used in whole or in part, for any purpose without express written permission of a duly authorized agent of Indigo Manufacturing Inc. This drawing is subject to recall by Indigo Manufacturing at any time. It is being submitted in the confidence, and patent rights are reserved by Indigo Manufacturing Inc.		
DATE: 5/31/2007	REV: SHEET: 1 of 5		



INDIGO™

TITLE:
1xSTA5150 Linear + Buck
Buck Controller

DRAWN:
Andrew Csanyi

SIZE:
A2

SCM NO:
SH0597-2

PCB NO:
600150-2

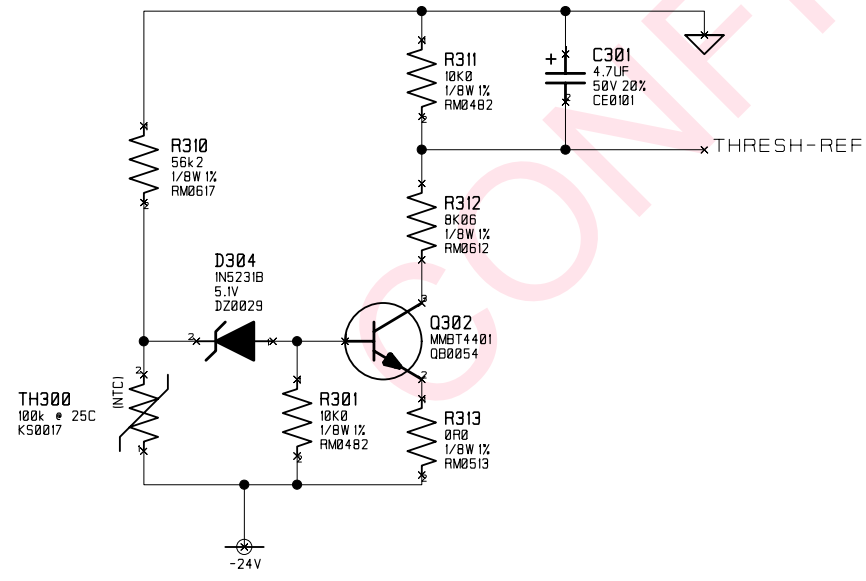
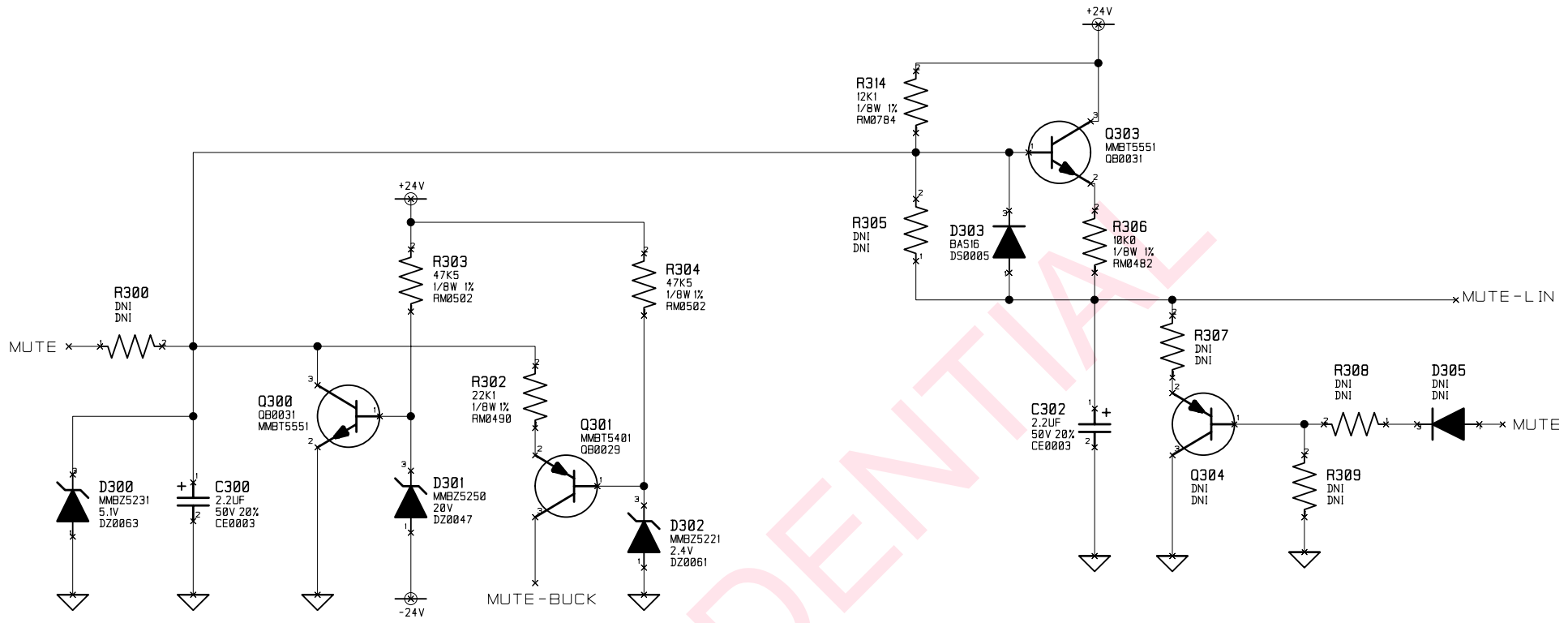
MODIFIED:

This drawing and data embody proprietary designs and information, which is the confidential property of Indigo Manufacturing Inc. None of which shall be copied, reproduced, disclosed to others, proposed or used in whole or in part, for any purpose without express written permission of a duly authorized agent of Indigo Manufacturing Inc. This drawing is subject to recall by Indigo Manufacturing at any time. It is being submitted in the confidence, and patent rights are reserved by Indigo Manufacturing Inc.

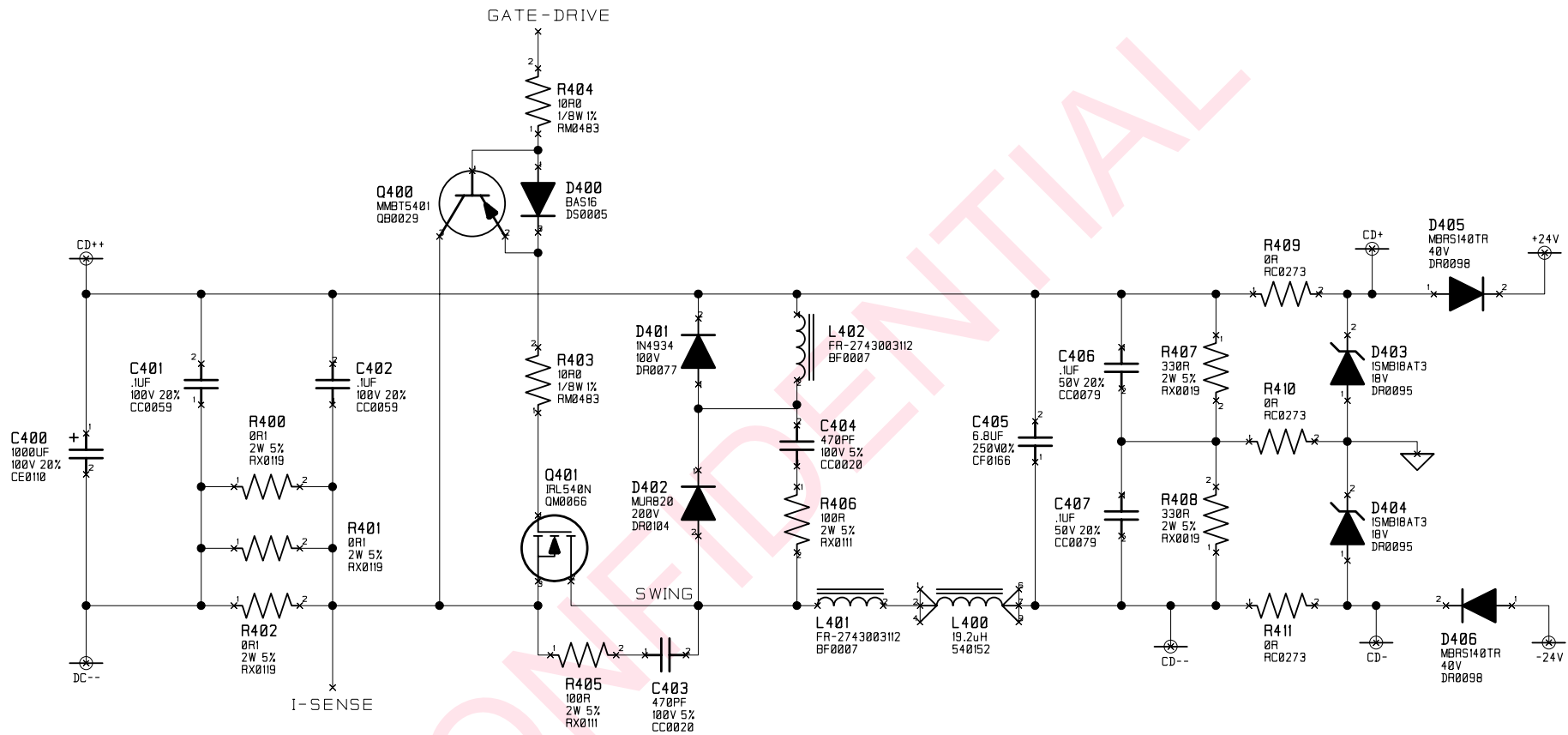
REV:

DATE:
5/31/2007

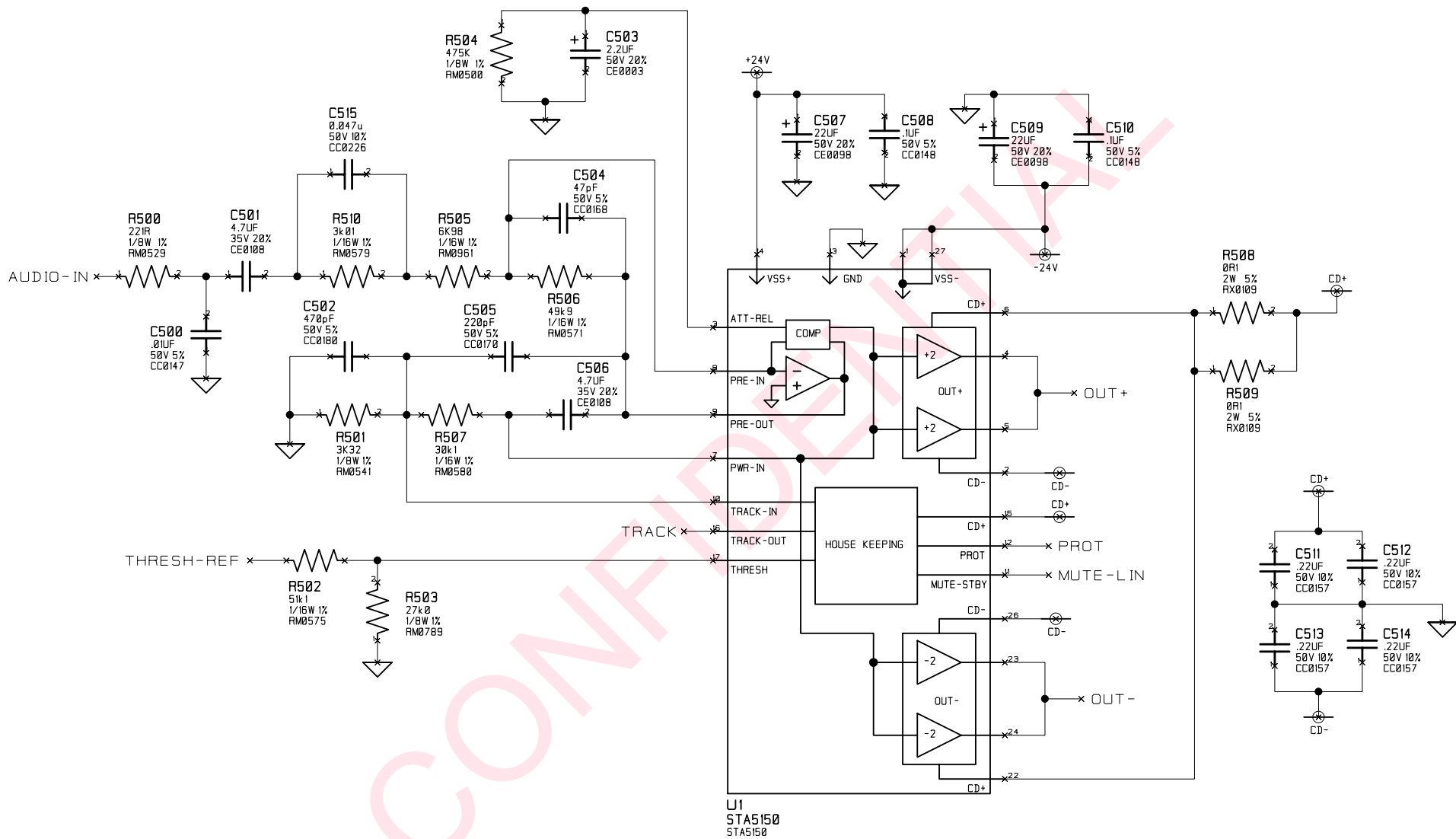
SHEET:
2 of 5



		TITLE: 1xSTA5150 Linear + Buck Mute Control	
		DRAWN: Andrew Csanyi	SIZE: A2
MODIFIED:		This drawing and data embody proprietary designs and information, which is the confidential property of Indigo Manufacturing Inc. None of which shall be copied, reproduced, disclosed to others, proposed or used in whole or in part, for any purpose without express written permission of a duly authorized agent of Indigo Manufacturing Inc. This drawing is subject to recall by Indigo Manufacturing at any time. It is being submitted in the confidence, and patent rights are reserved by Indigo Manufacturing Inc.	
DATE: 5/31/2007		REV: SHEET: 3 of 5	



		TITLE: 1xSTA5150 Linear + Buck Buck Converter	
		DRAWN: Andrew Csanyi	SIZE: A2
MODIFIED:		This drawing and data embody proprietary designs and information, which is the confidential property of Indigo Manufacturing Inc. None of which shall be copied, reproduced, disclosed to others, proposed or used in whole or in part, for any purpose without express written permission of a duly authorized agent of Indigo Manufacturing Inc. This drawing is subject to recall by Indigo Manufacturing at any time. It is being submitted in the confidence, and patent rights are reserved by Indigo Manufacturing Inc.	
DATE: 5/31/2007		REV: SHEET: 4 of 5	



CONFIDENTIAL

INDIGO™		TITLE: 1xSTA5150 Linear + Buck STA5150 1-channel sub	
DRAWN: Andrew Csanyi	SIZE: A2	SCM NO: SH0597-2	PCB NO: 600150-2
MODIFIED:		<small>This drawing and data embody proprietary designs and information, which is the confidential property of Indigo Manufacturing Inc. None of which shall be copied, reproduced, disclosed to others, proposed or used in whole or in part, for any purpose without express written permission of a duly authorized agent of Indigo Manufacturing Inc. This drawing is subject to recall by Indigo Manufacturing at any time. It is being submitted in the confidence, and patent rights are reserved by Indigo Manufacturing Inc.</small>	
DATE: 5/31/2007		REV: SHEET: 5 of 5	