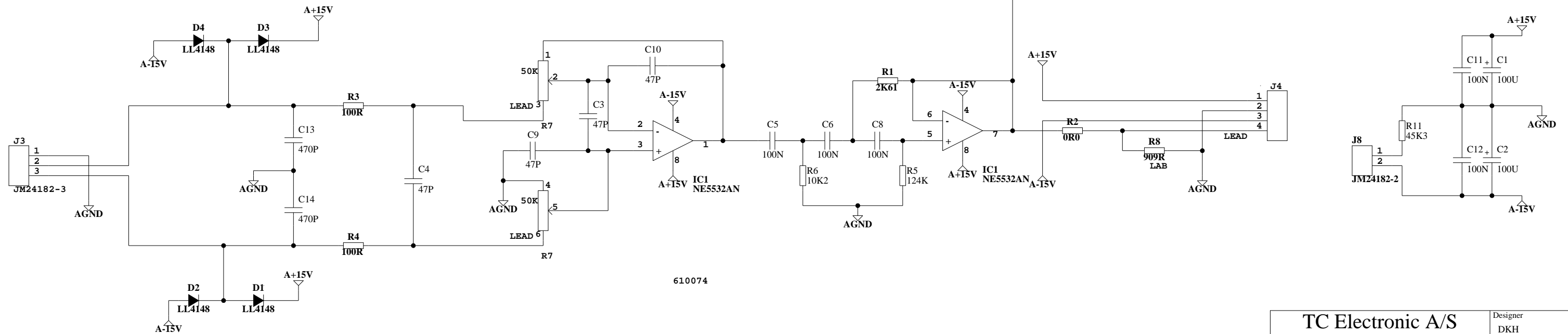
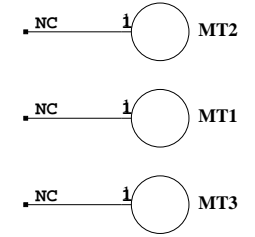
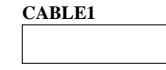


IO Board



610074

PCB VOICEMONITOR BASIC

XXXXXX
MI

Title VOICEMONITOR		Module title BASIC ACTIVE		Designer DKH
Number SH0592/SH0593	Revision 2	Previous page X		
Date 11-14-2007_18:48	Filename SH0592_593-2	Page / of 1 / 1		