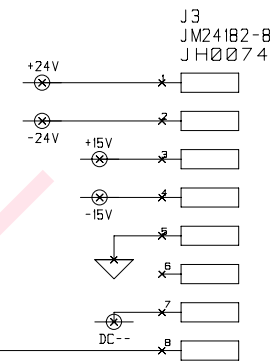
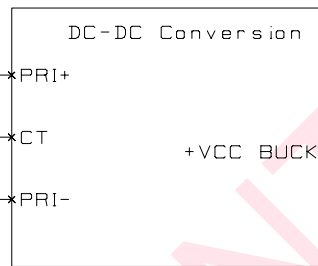
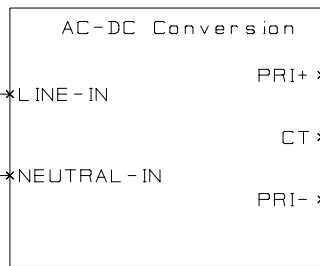
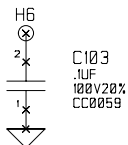
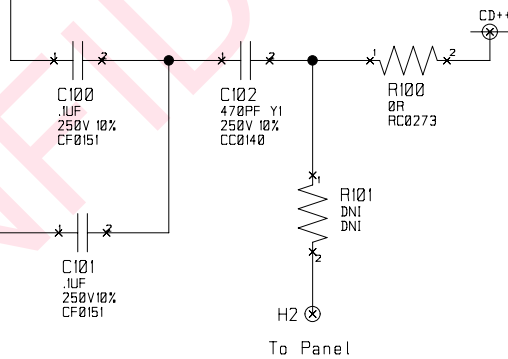
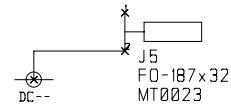
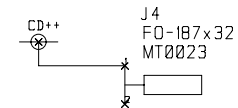


J1
FO-187x32
MT0023

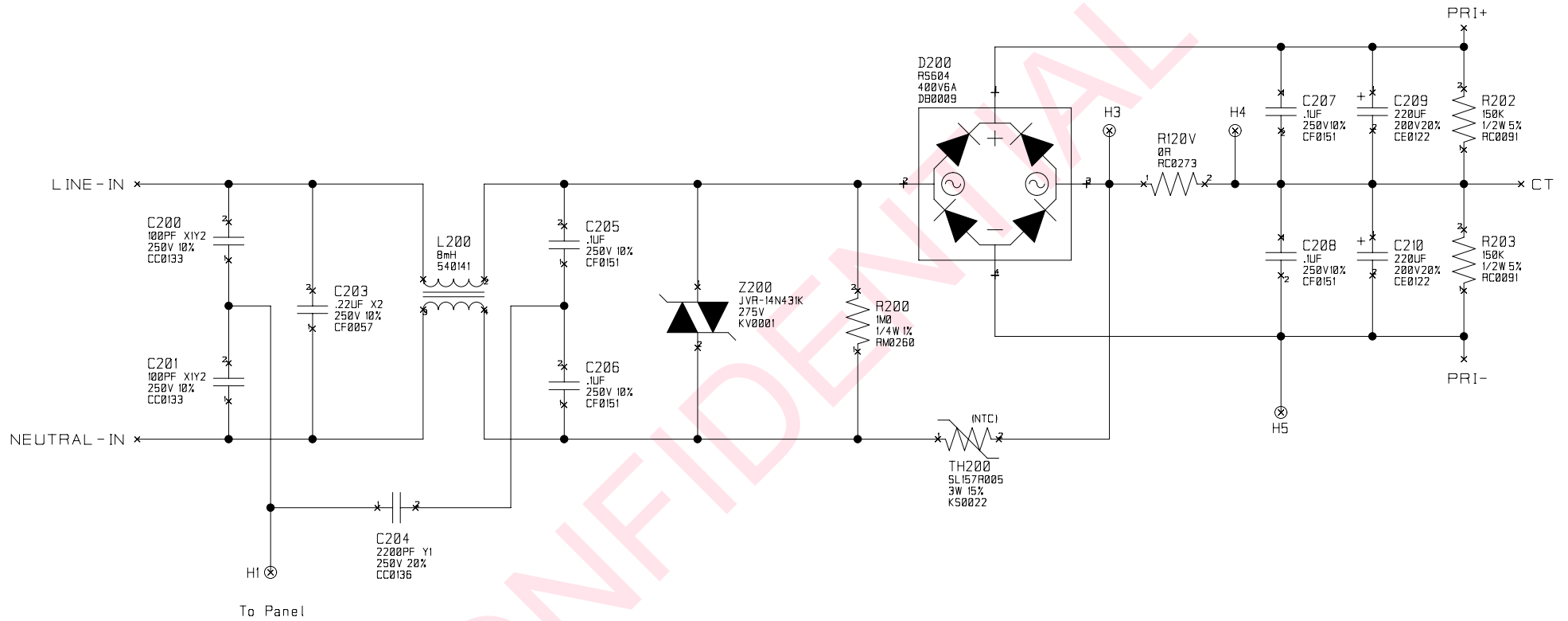
J2
FO-187x32
MT0023



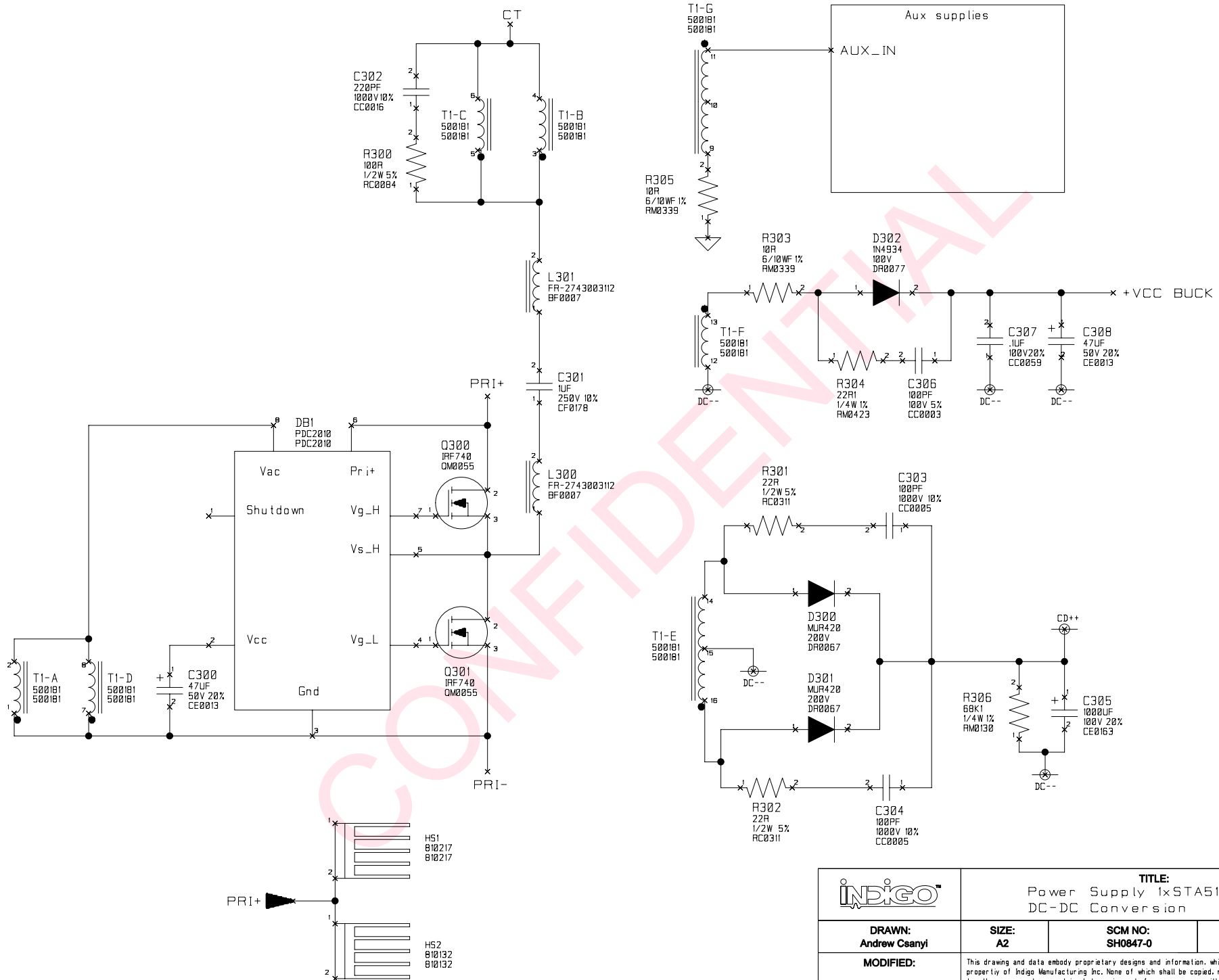
To linear



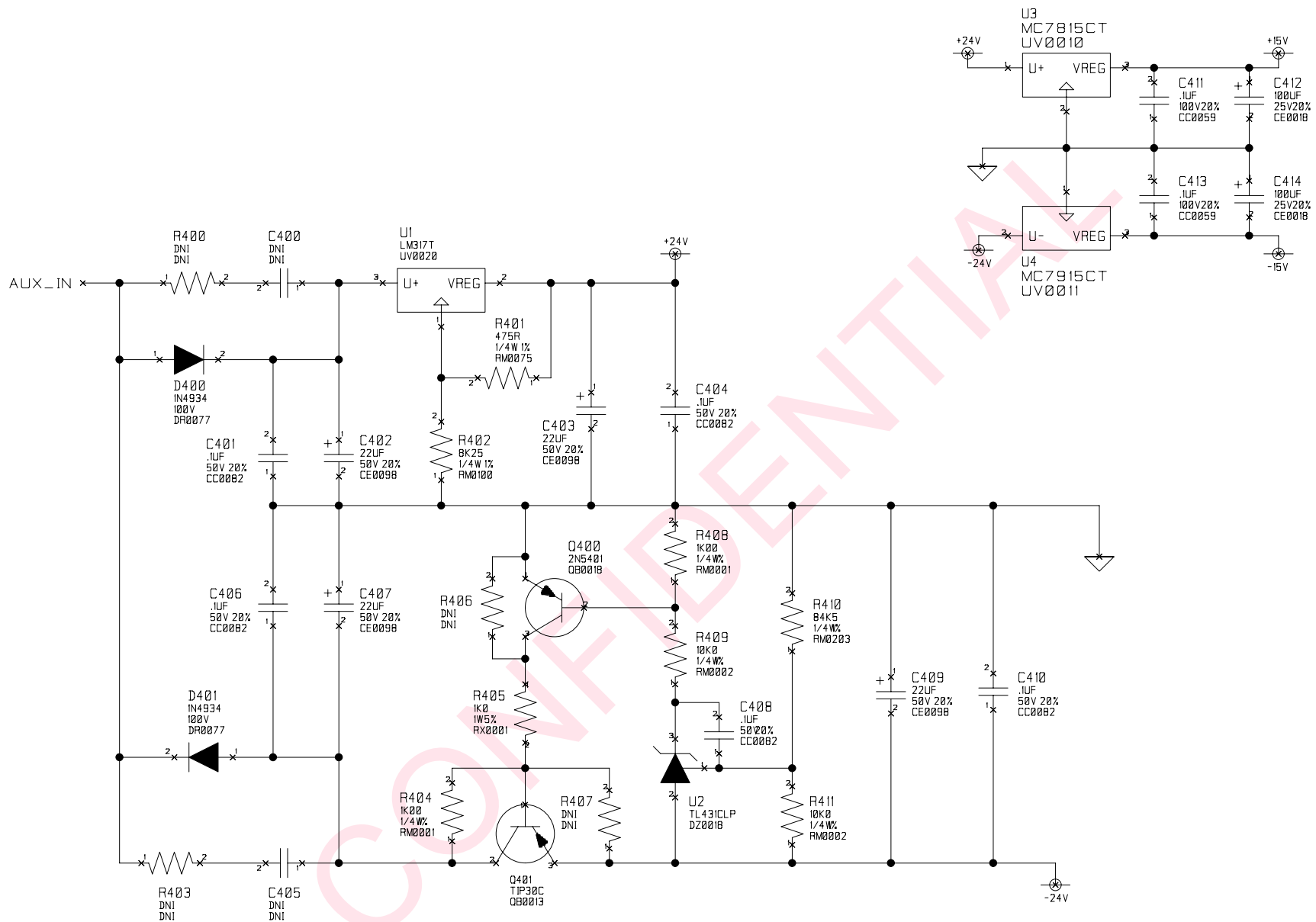
		TITLE: Power Supply 1xSTA5150 PDC2 100V	
		DRAWN: Andrew Csanyi	SIZE: A2
MODIFIED:		This drawing and data embody proprietary designs and information, which is the confidential property of Indigo Manufacturing Inc. None of which shall be copied, reproduced, disclosed to others, proposed or used in whole or in part, for any purpose without express written permission of a duly authorized agent of Indigo Manufacturing Inc. This drawing is subject to recall by Indigo Manufacturing at any time. It is being submitted in the confidence, and patent rights are reserved by Indigo Manufacturing Inc.	
DATE: 10/16/2007		REV: 	
		SHEET: 1 of 4	




		TITLE: Power Supply 1xSTA5150 PDC2 100V AC-DC Conversion	
		DRAWN: Andrew Csanyi	SIZE: A2
MODIFIED:		This drawing and data embody proprietary designs and information, which is the confidential property of Indigo Manufacturing Inc. None of which shall be copied, reproduced, disclosed to others, proposed or used in whole or in part, for any purpose without express written permission of a duly authorized agent of Indigo Manufacturing Inc. This drawing is subject to recall by Indigo Manufacturing at any time. It is being submitted in the confidence, and patent rights are reserved by Indigo Manufacturing Inc.	
DATE: 10/16/2007		REV: SHEET: 2 of 4	



INDIGO™			
TITLE: Power Supply 1xSTA5150 PDC2 100V DC-DC Conversion			
DRAWN: Andrew Csanyi	SIZE: A2	SCM NO: SH0847-0	PCB NO: 640046-1
MODIFIED:	This drawing and data embody proprietary designs and information, which is the confidential property of Indigo Manufacturing Inc. None of which shall be copied, reproduced, disclosed to others, proposed or used in whole or in part, for any purpose without express written permission of a duly authorized agent of Indigo Manufacturing Inc. This drawing is subject to recall by Indigo Manufacturing at any time. It is being submitted in the confidence, and patent rights are reserved by Indigo Manufacturing Inc.		
DATE: 10/16/2007	REV: SHEET: 3 of 4		



		TITLE: Power Supply 1xSTA5150 PDC2 100V Aux supplies	
		DRAWN: Andrew Csanyi	SIZE: A2
MODIFIED:		This drawing and data embody proprietary designs and information, which is the confidential property of Indigo Manufacturing Inc. None of which shall be copied, reproduced, disclosed to others, proposed or used in whole or in part, for any purpose without express written permission of a duly authorized agent of Indigo Manufacturing Inc. This drawing is subject to recall by Indigo Manufacturing at any time. It is being submitted in the confidence, and patent rights are reserved by Indigo Manufacturing Inc.	
DATE: 10/16/2007		REV: SHEET: 4 of 4	