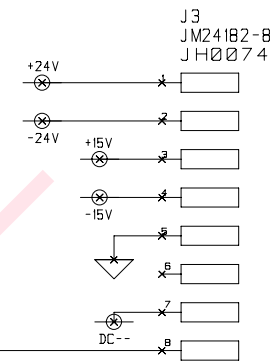
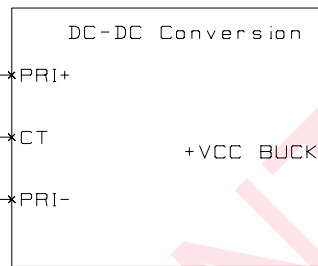
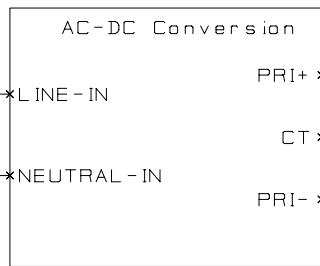
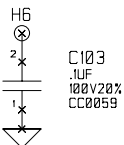
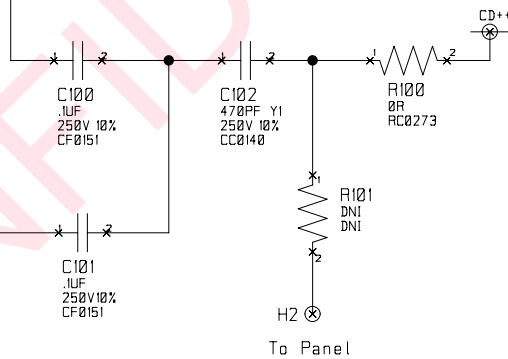
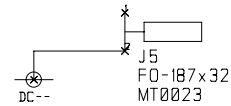
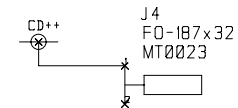


J1
FO-187x32
MT0023

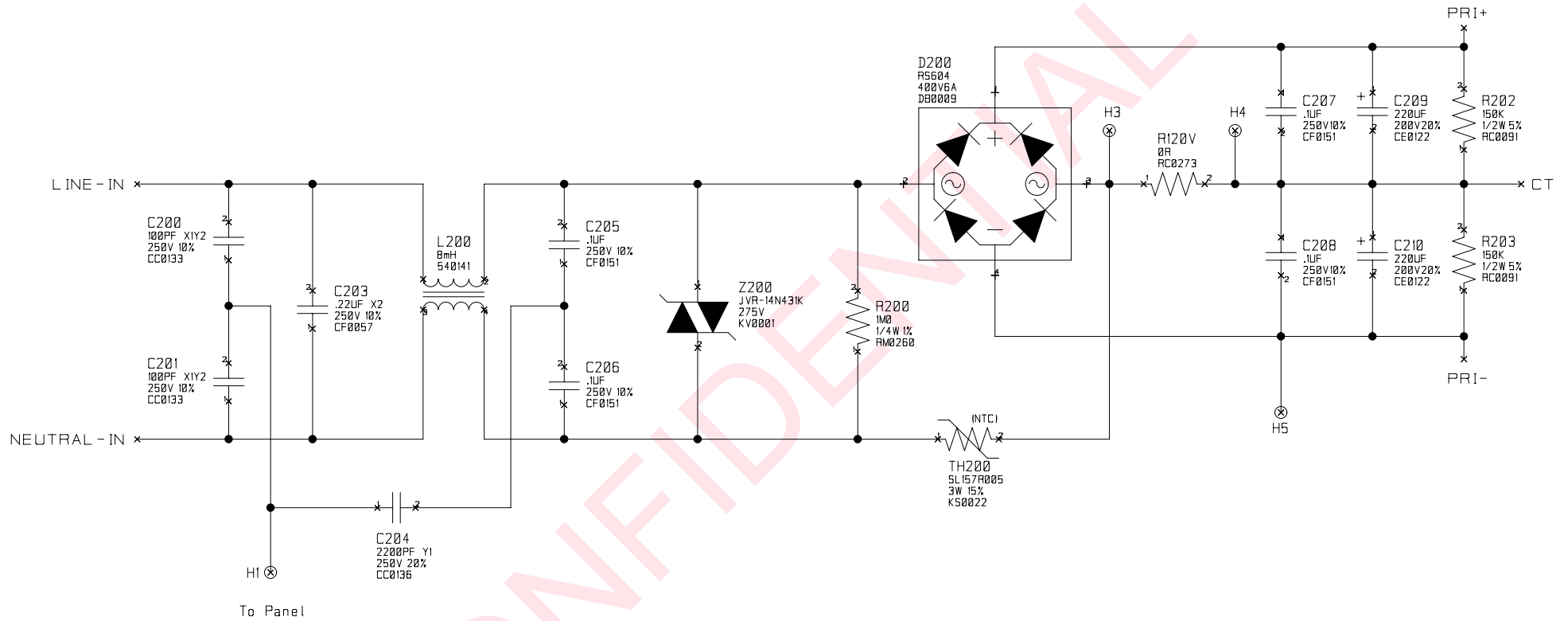
J2
FO-187x32
MT0023



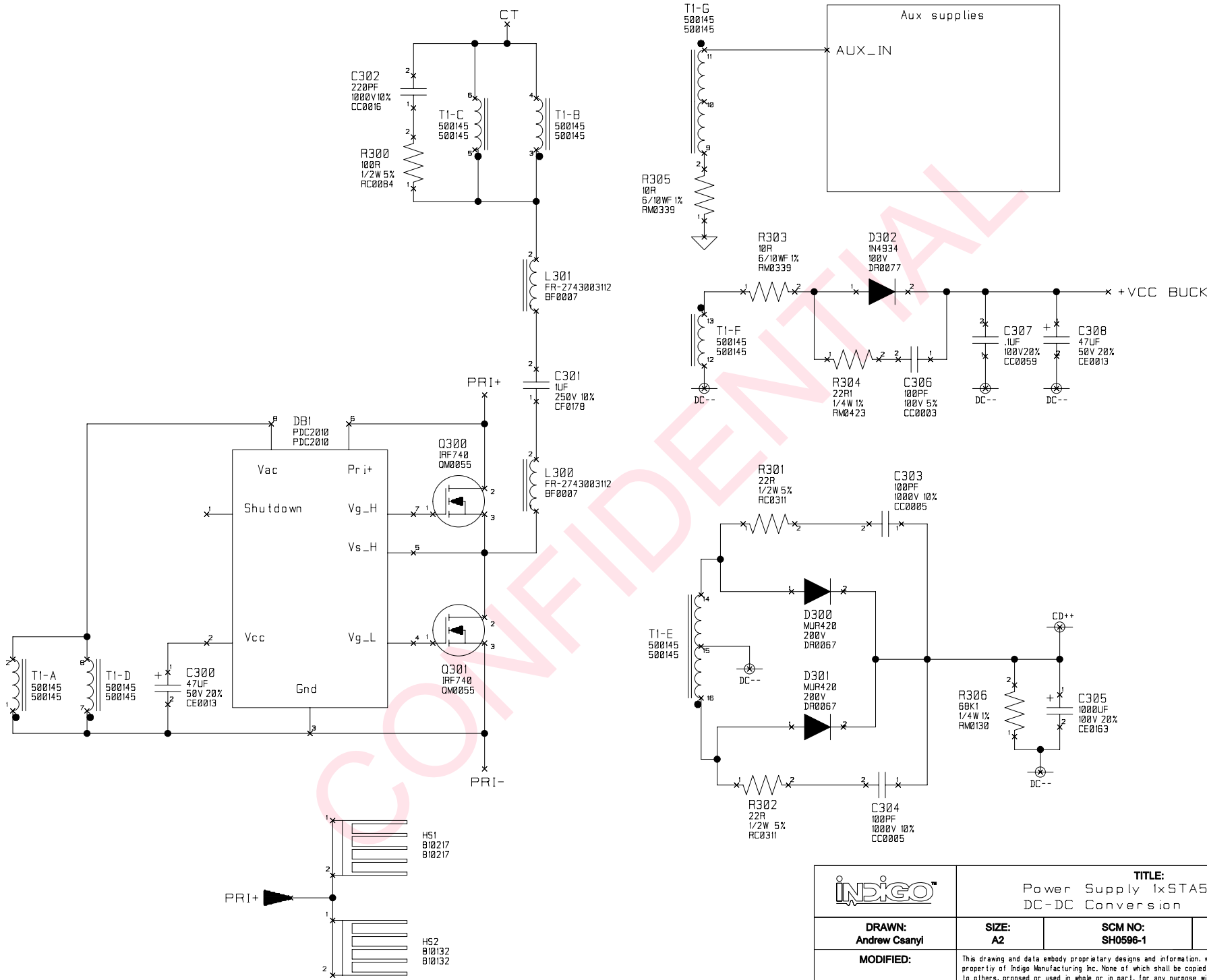
To linear



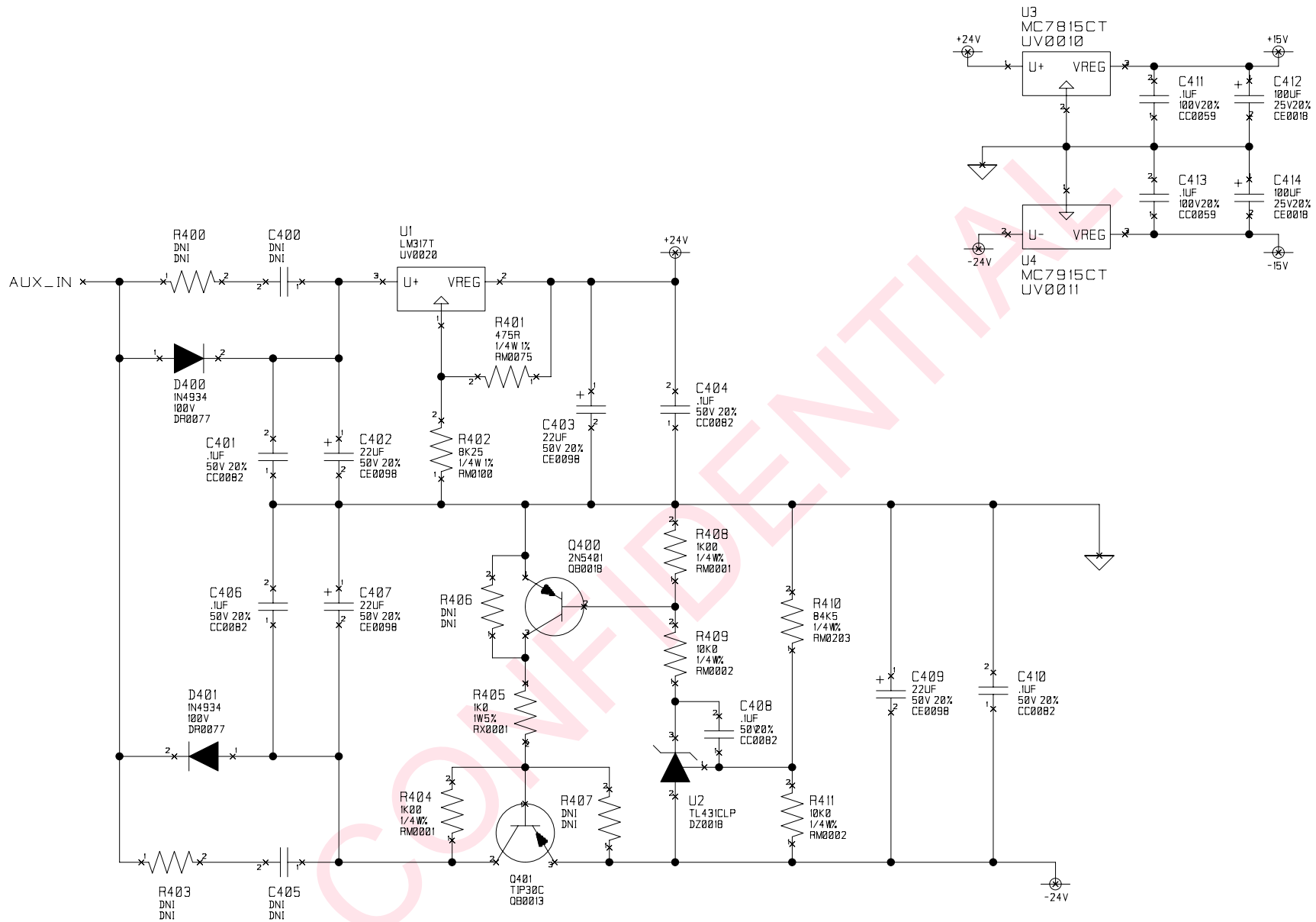
| | | | |
|---------------------------|--|--|--------------------|
| | | TITLE: Power Supply 1xSTA5150 PDC2 | |
| | | DRAWN: Andrew Csanyi | SIZE: A2 |
| MODIFIED: | | This drawing and data embody proprietary designs and information, which is the confidential property of Indigo Manufacturing Inc. None of which shall be copied, reproduced, disclosed to others, propped or used in whole or in part, for any purpose without express written permission of a duly authorized agen of Indigo Manufacturing Inc. This drawing is subject to recall by Indigo Manufacturing at any time. It is being submitted in the confidence, and patent rights are reserved by Indigo Manufacturing Inc. | |
| DATE: 1/19/2006 | | REV: SHEET: 1 of 4 | |




| | | | |
|---------------------------|--|--|--------------------|
| | | TITLE: Power Supply 1xSTA5150 PDC2 AC-DC Conversion | |
| | | DRAWN: Andrew Csanyi | SIZE: A2 |
| MODIFIED: | | This drawing and data embody proprietary designs and information, which is the confidential property of Indigo Manufacturing Inc. None of which shall be copied, reproduced, disclosed to others, proposed or used in whole or in part, for any purpose without express written permission of a duly authorized agent of Indigo Manufacturing Inc. This drawing is subject to recall by Indigo Manufacturing at any time. It is being submitted in the confidence, and patent rights are reserved by Indigo Manufacturing Inc. | |
| DATE: 1/19/2006 | | REV: SHEET: 2 of 4 | |



| | | | |
|--|--|----------------------------|----------------------------|
| INDIGO™ | | | |
| TITLE: Power Supply 1xSTA5150 PDC2 DC-DC Conversion | | | |
| DRAWN: Andrew Csanyi | SIZE: A2 | SCM NO: SH0596-1 | PCB NO: 640046-1 |
| MODIFIED: | This drawing and data embody proprietary designs and information, which is the confidential property of Indigo Manufacturing Inc. None of which shall be copied, reproduced, disclosed to others, proposed or used in whole or in part, for any purpose without express written permission of a duly authorized agent of Indigo Manufacturing Inc. This drawing is subject to recall by Indigo Manufacturing at any time. It is being submitted in the confidence, and patent rights are reserved by Indigo Manufacturing Inc. | | REV: |
| DATE: 1/19/2006 | | | SHEET: 3 of 4 |



| | | | |
|---|--|--|--------------------|
|  | | TITLE: Power Supply 1xSTA5150 PDC2 Aux supplies | |
| | | DRAWN: Andrew Csanyi | SIZE: A2 |
| MODIFIED: | | This drawing and data embody proprietary designs and information, which is the confidential property of Indigo Manufacturing Inc. None of which shall be copied, reproduced, disclosed to others, proposed or used in whole or in part, for any purpose without express written permission of a duly authorized agent of Indigo Manufacturing Inc. This drawing is subject to recall by Indigo Manufacturing at any time. It is being submitted in the confidence, and patent rights are reserved by Indigo Manufacturing Inc. | |
| DATE: 1/19/2006 | | REV: SHEET: 4 of 4 | |