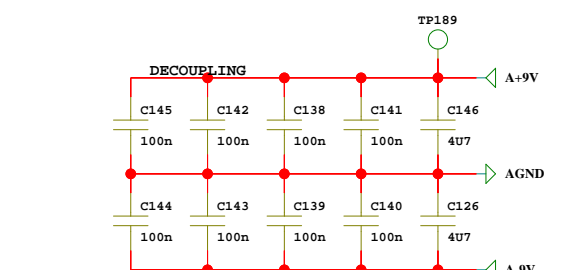
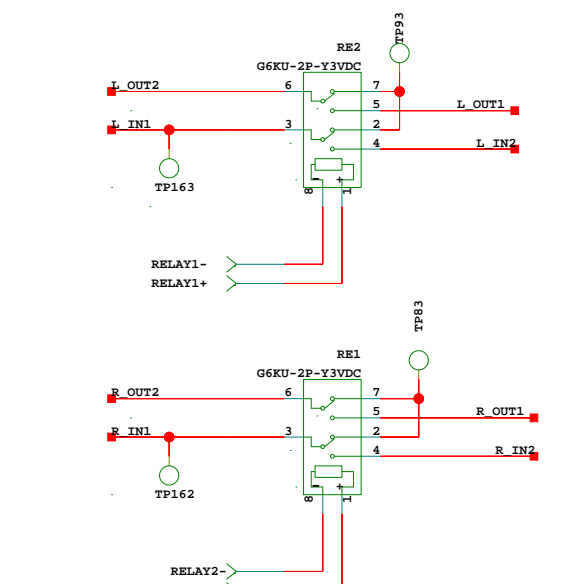
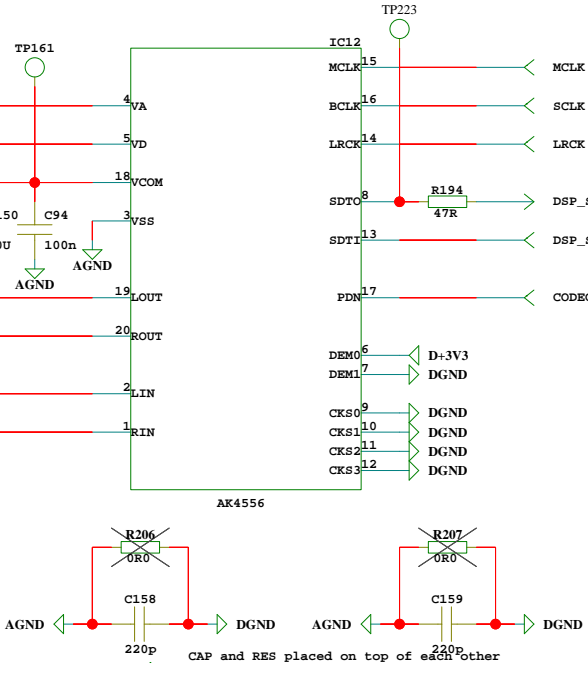
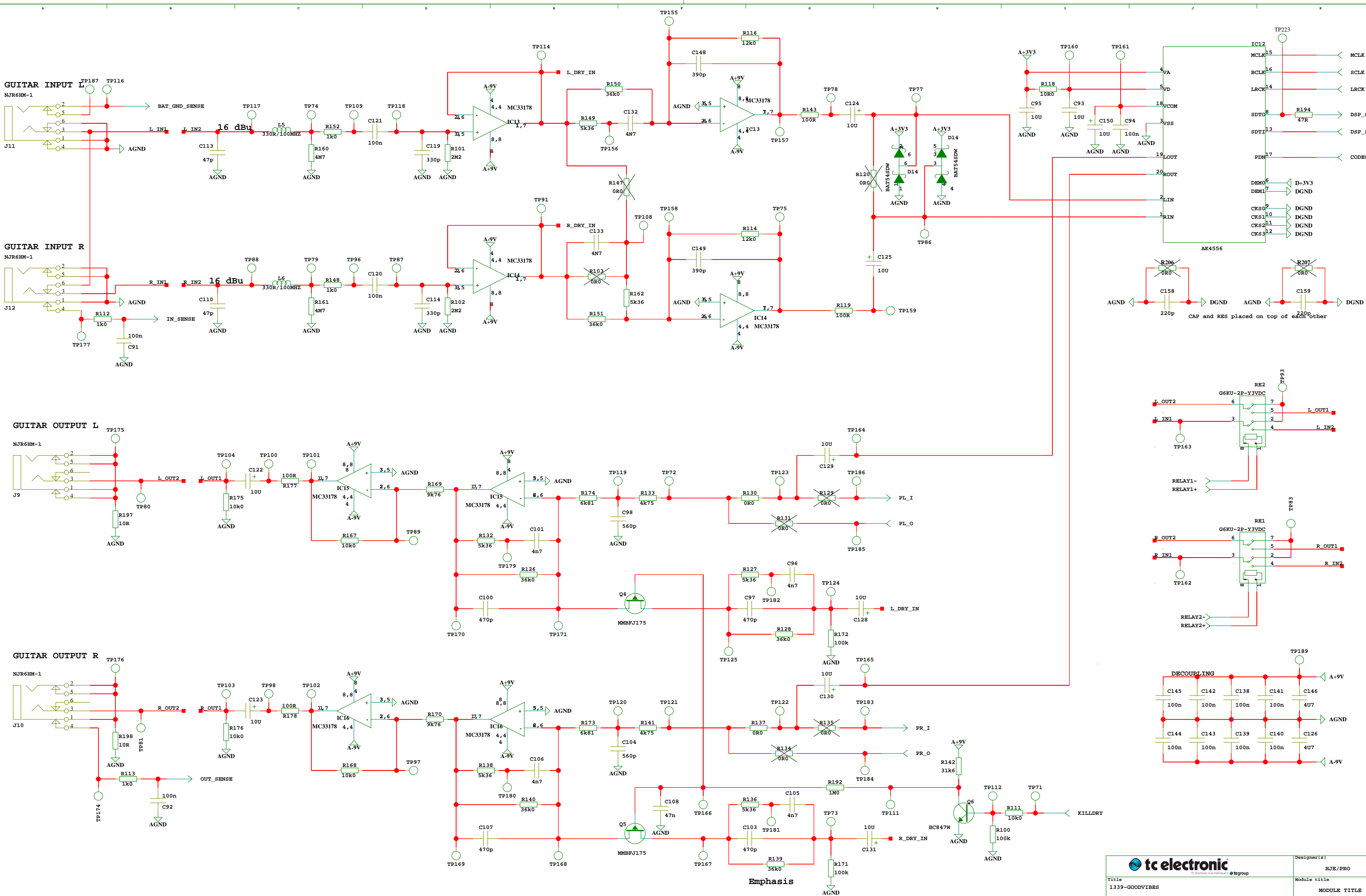


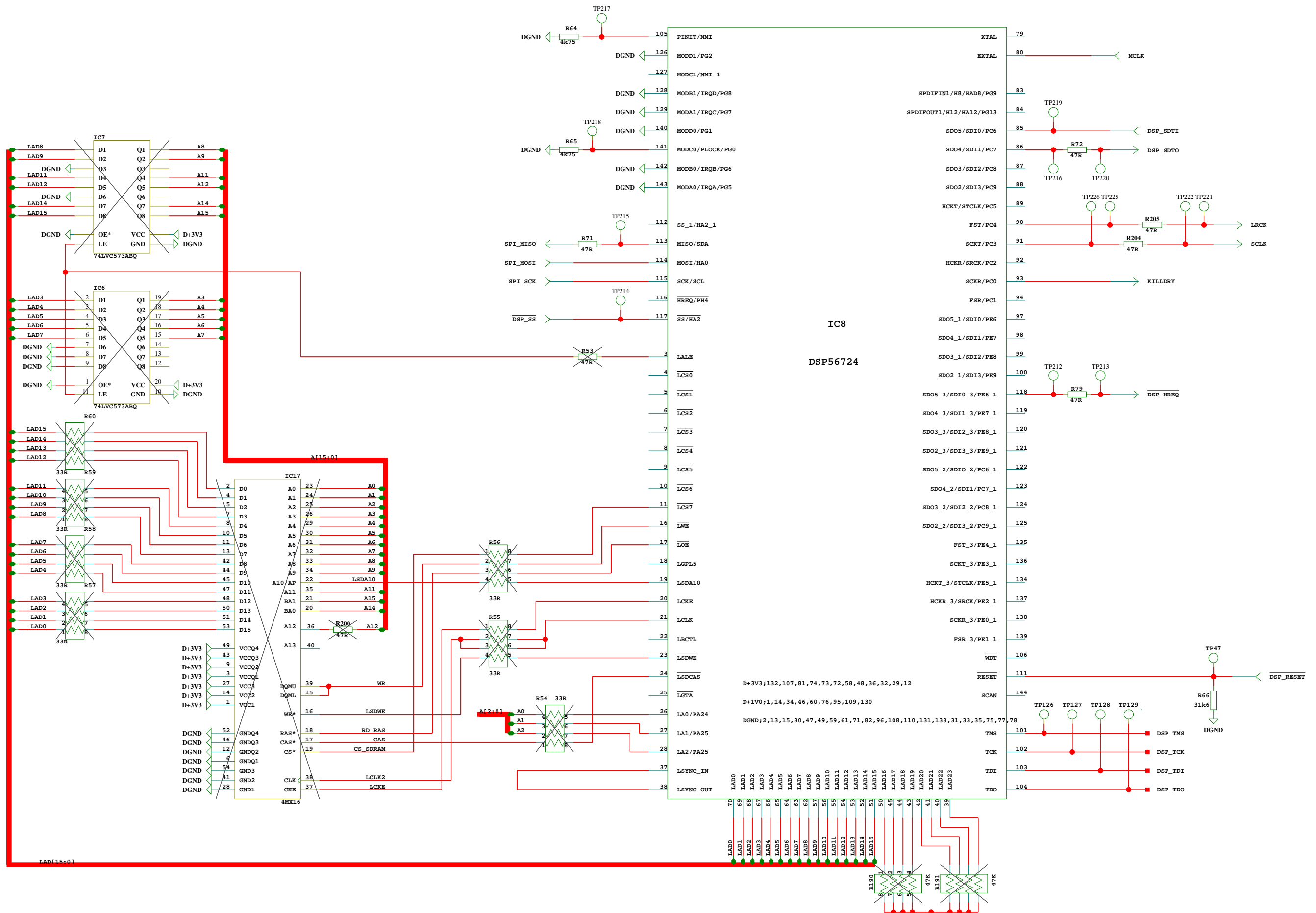
M1  
P22381-D  
PCB

		Designer(s) HJE/PRO		
Title 1339-GOODVIBES		Module title MODULE TITLE		
Number P22381	Revision D	Variant M	Version A	Board type MAINBOARD
Date 30/10/2014:06:39	Filename P22381-D	Page / of 1 / 5		

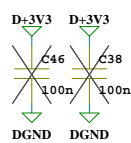


Emphasis

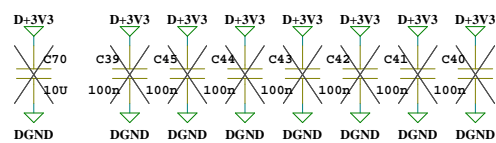
<b>tc electronic</b>				Designer(s)	HJE/PRO
Title				Module title	
1339-GOODVIBES				MODULE TITLE	
Number	Revision	Variant	Version	Board type	
F22381	D	M	A	MAINBOARD	
Date	Filename	Page / of			
30/10/2014:06:39	analog	4 / 5			



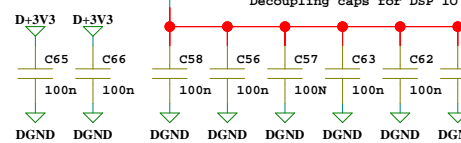
Decoupling caps for Latch



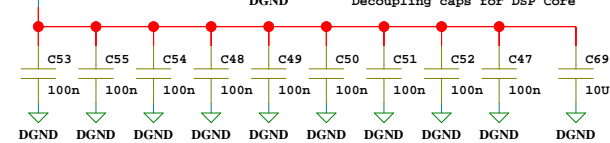
Decoupling caps for SDRAM



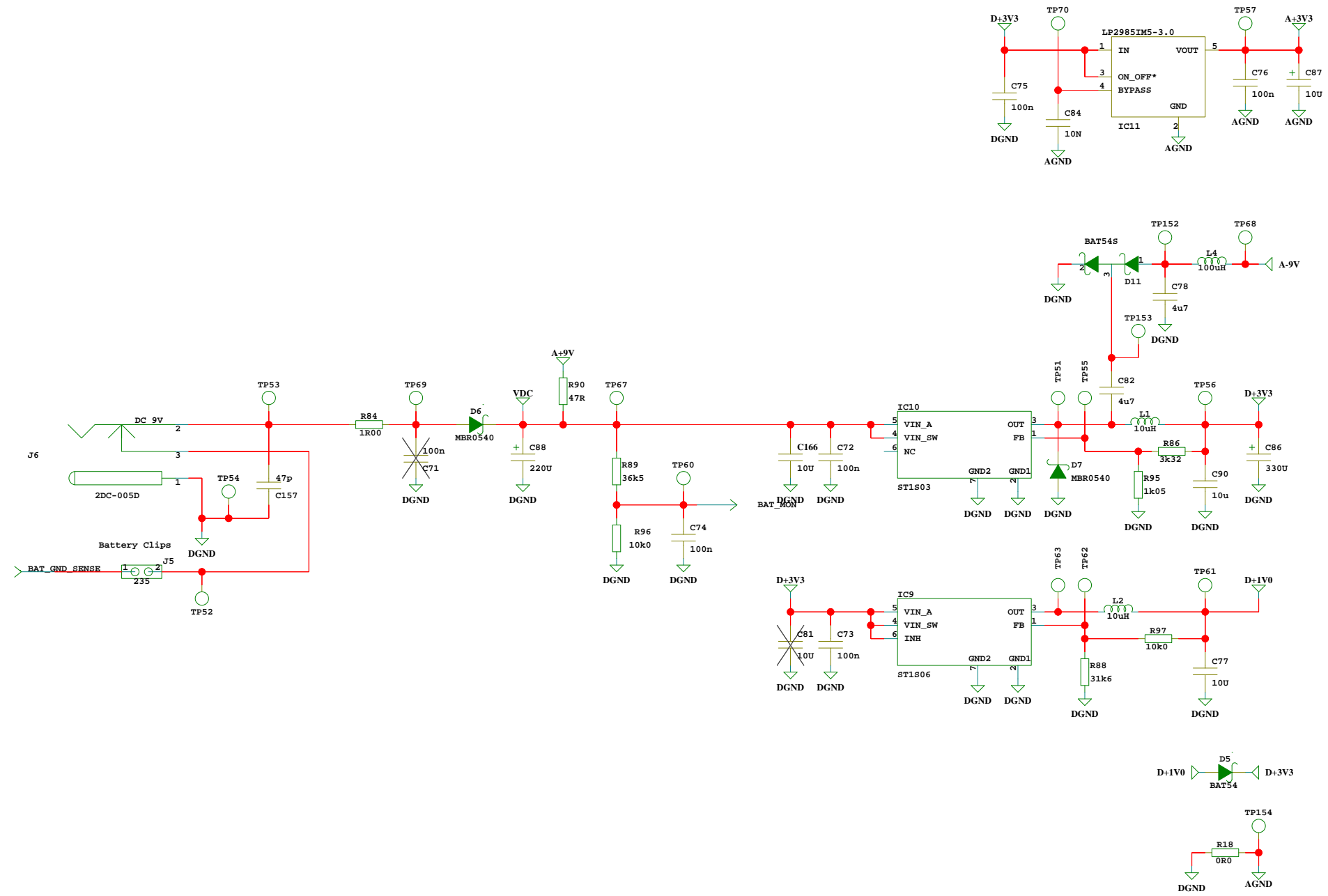
Decoupling caps for DSP IO

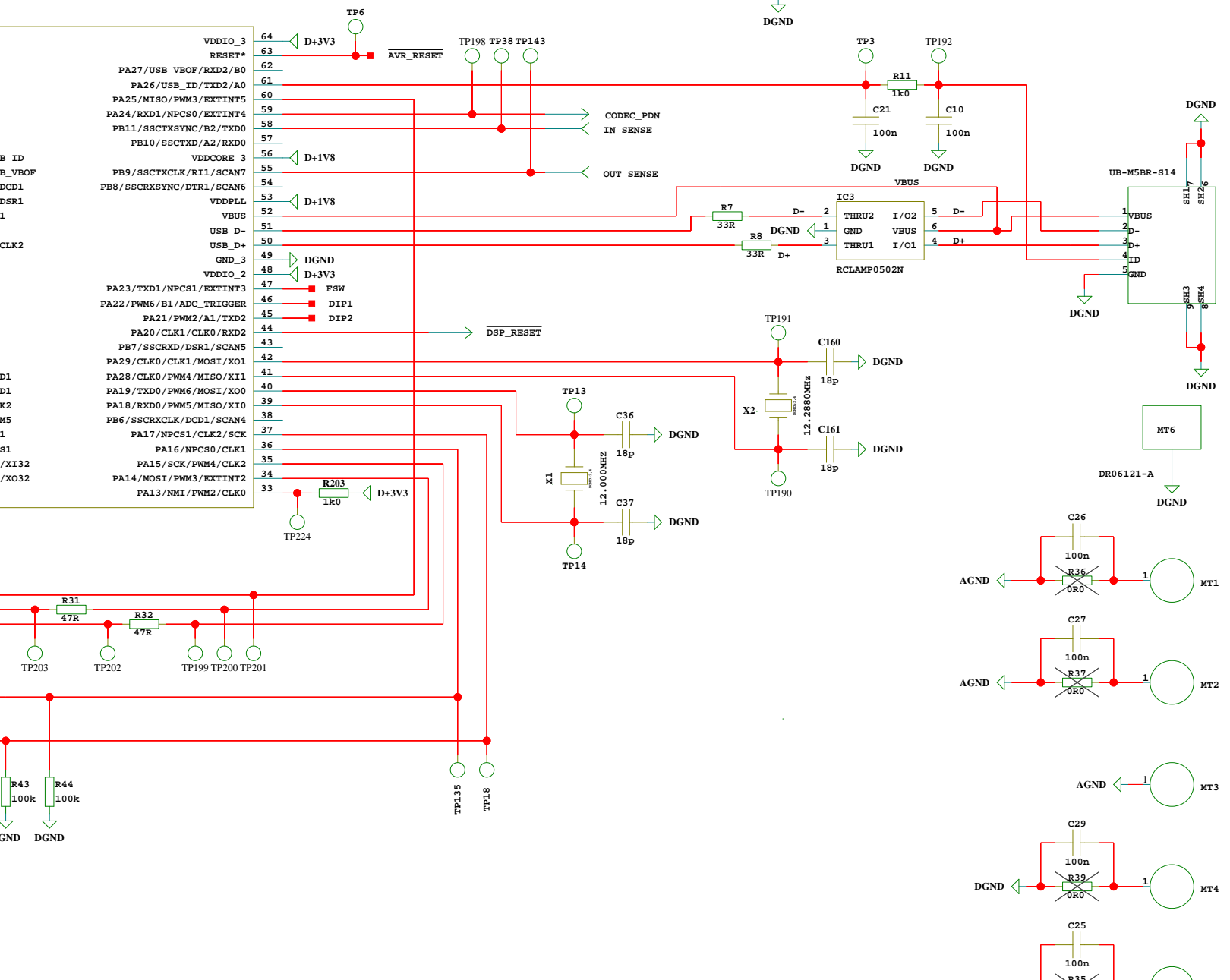
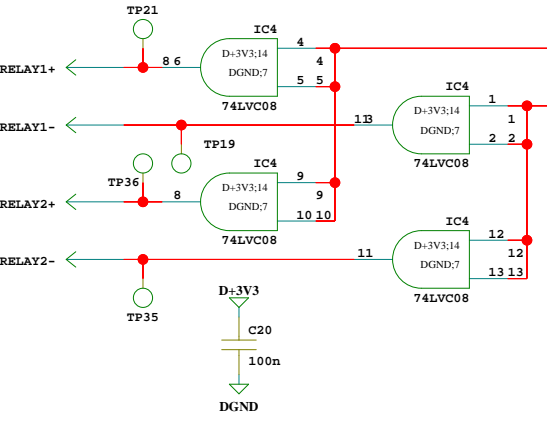
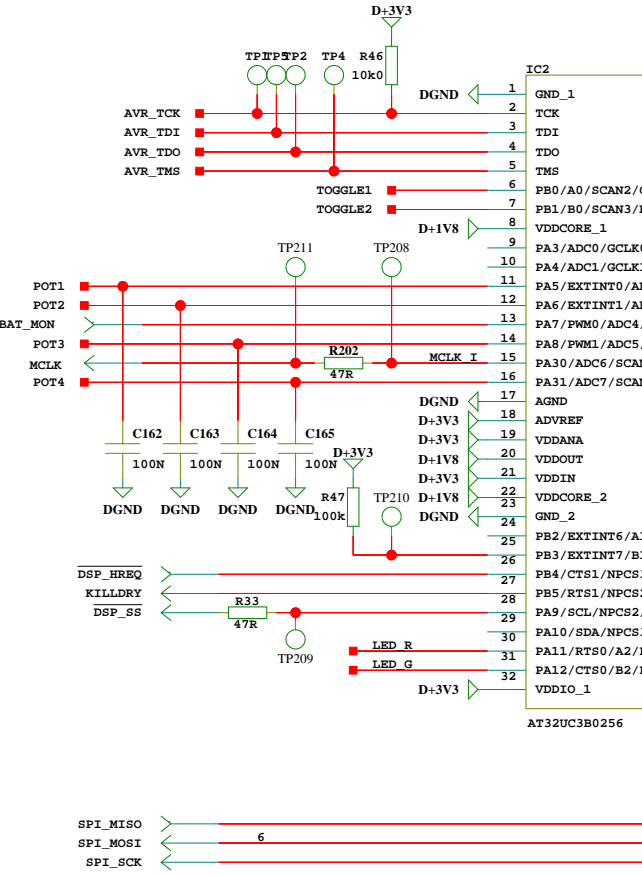
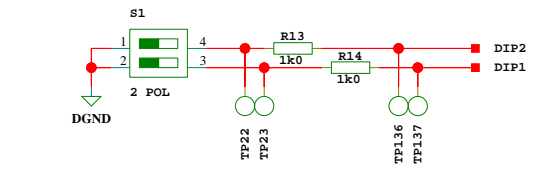
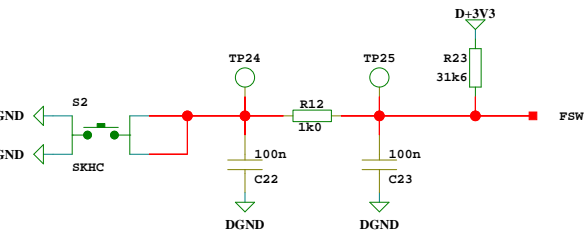
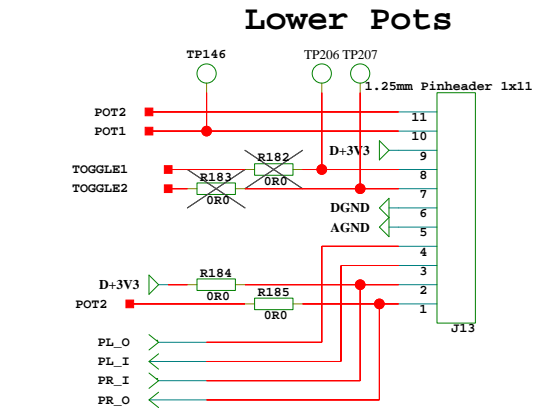
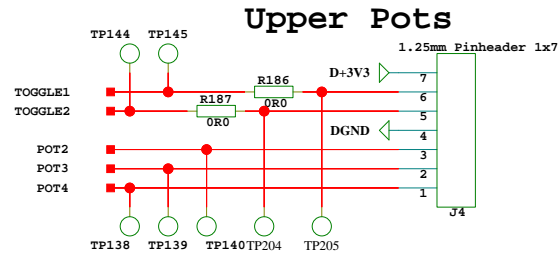


Decoupling caps for DSP Core



		Designer(s)		
		HJE/PRO		
Title		Module title		
1339-GOODVIBES		MODULE TITLE		
Number	Revision	Variant	Version	Board type
	F22381	D	M	A
Date	Filename	Page / of		
30/10/2014:06:39	dsp724	3 / 5		





- D+1V8 TP26
- D+1V8 C6 1N0
- D+1V8 C13 100N
- D+1V8 C35 10u
- D+1V8 C5 1N0
- D+1V8 C16 100N
- D+1V8 C7 1N0
- D+1V8 C14 100N
- D+1V8 C8 1N0
- D+1V8 C15 100N
- D+1V8 C4 1N0
- D+1V8 C12 100N
- D+1V8 R20 1k0
- D+3V3 C17 100N
- D+3V3 C1 1N0
- D+3V3 C34 10U
- D+3V3 C2 1N0
- D+3V3 C18 100N
- D+3V3 C3 1N0
- D+3V3 C19 100N
- D+3V3 C9 1N0
- D+3V3 C24 100N

<b>tc electronic</b>			Designer(s)	
			HJE/PRO	
Title 1339-GOODVIBES			Module title MODULE TITLE	
Number P22381			Board type MAINBOARD	
Date 30/10/2014:06:39	Revision D	Variant M	Version A	Page / of 2 / 5
Filename uc_and_connects				