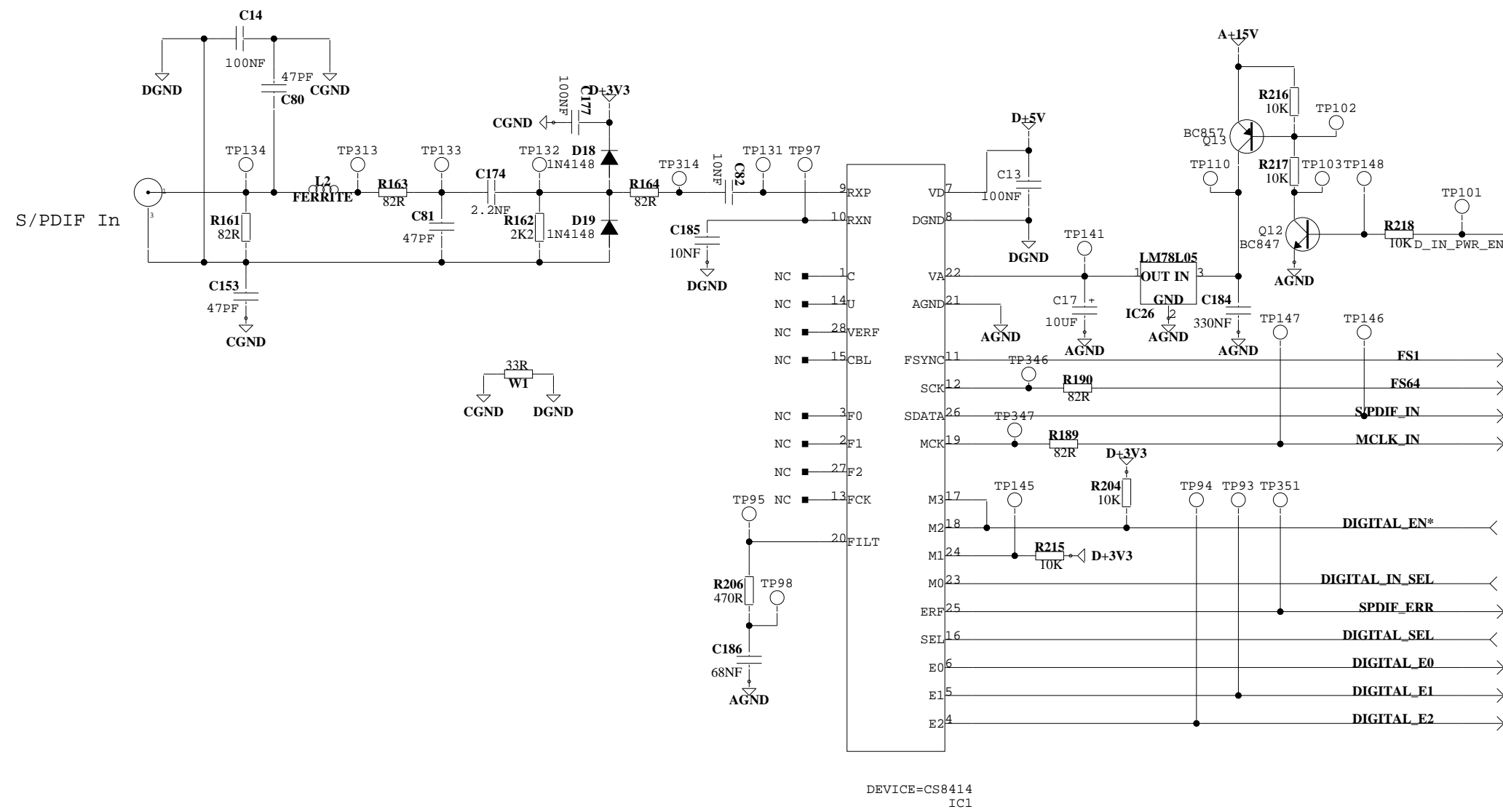
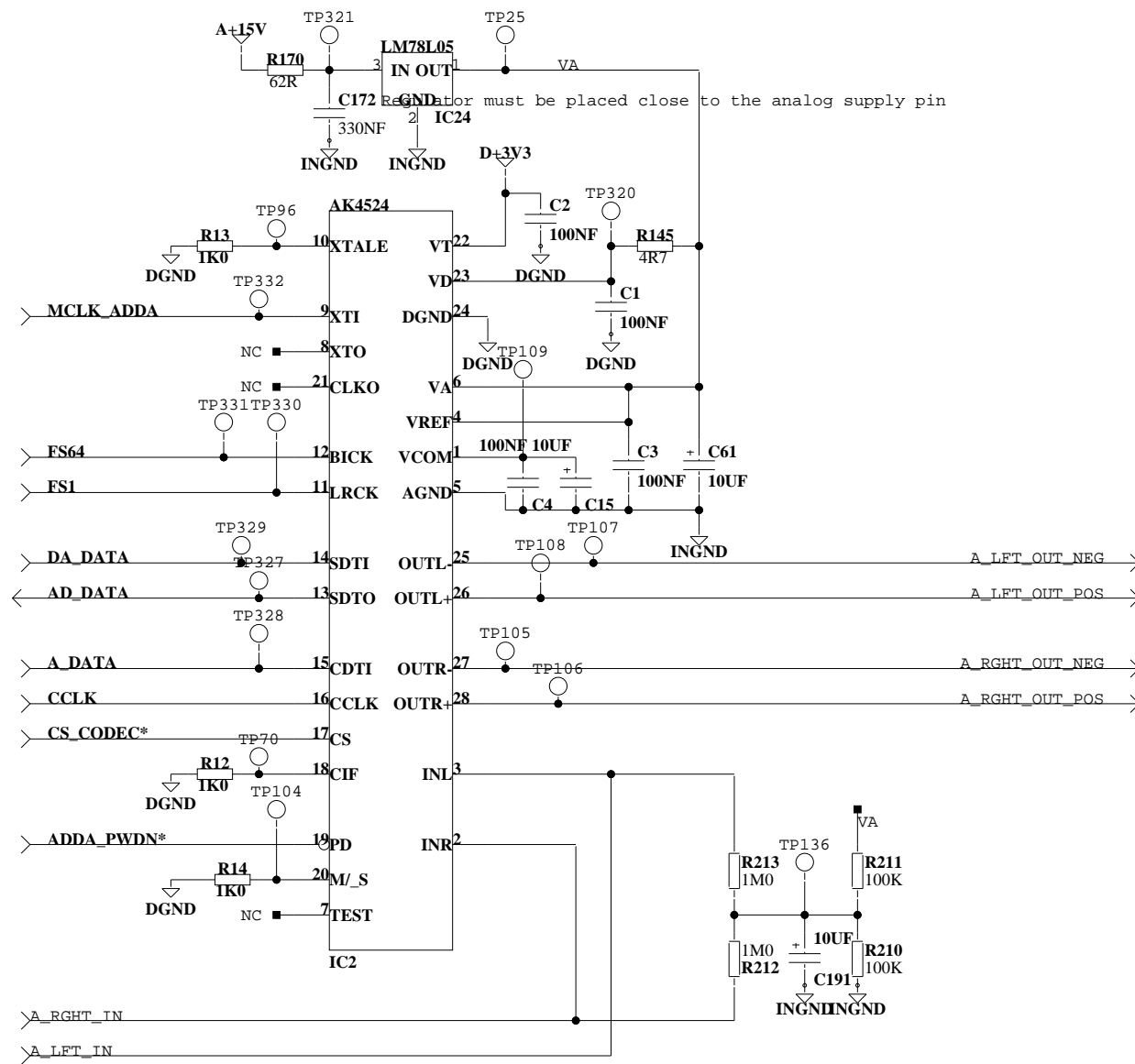


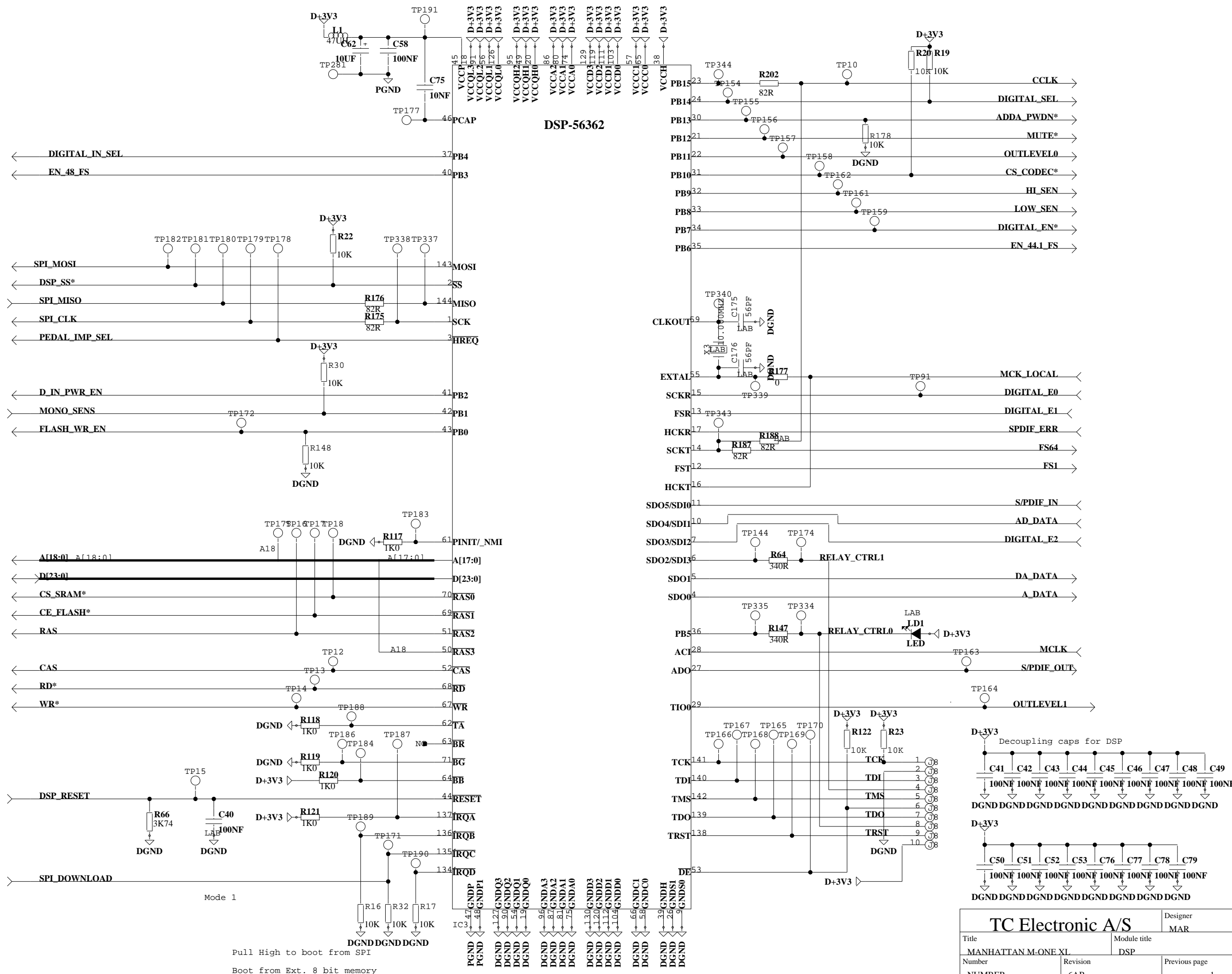
Title		Module title
MANHATTAN M-ONE XL		BLOCK LEVEL SCHEMATIC
Number	Revision	Previous page
P16001	6AB	XX
Date	Filename	Page / of
4-4-2002 11:03	MAINBOARD	1 / 13



TC Electronic A/S		Designer MAR
Title MANHATTAN M-ONE XL	Module title DIGITAL INPUT	
Number NUMBER	Revision 6AB	Previous page 1
Date 4-4-2002 11:00	Filename DIGITAL_IN	Page / of 10 / 13

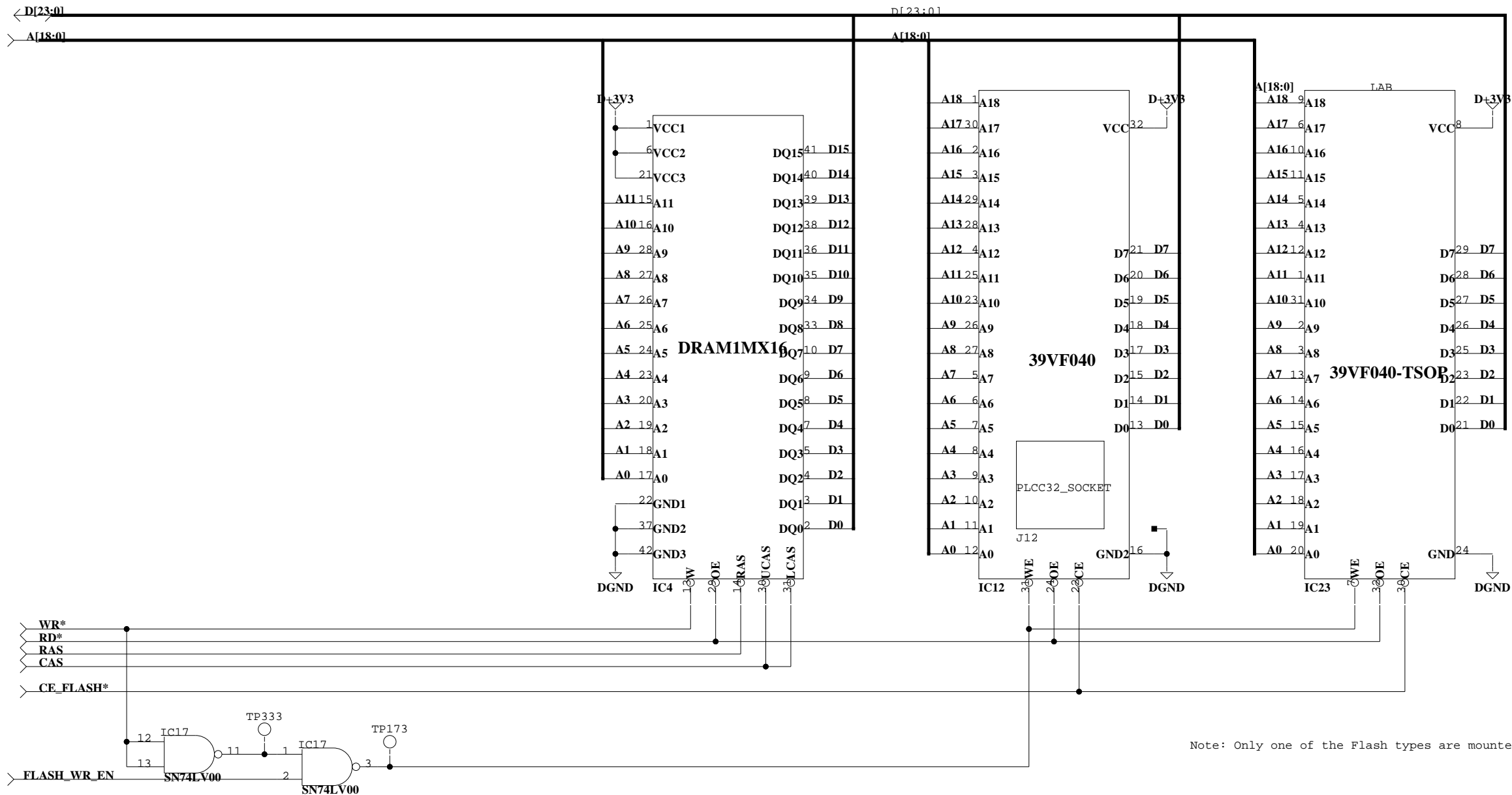
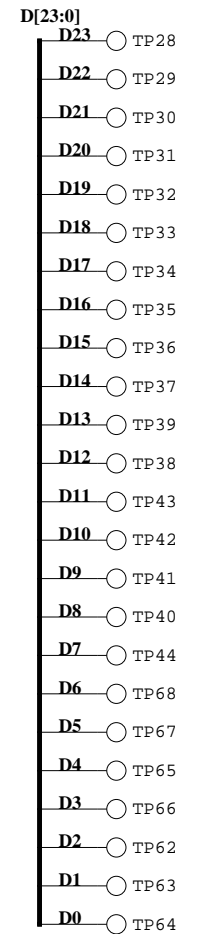
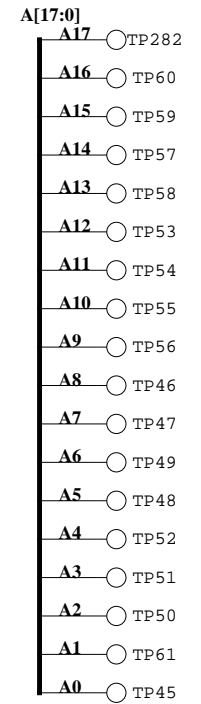
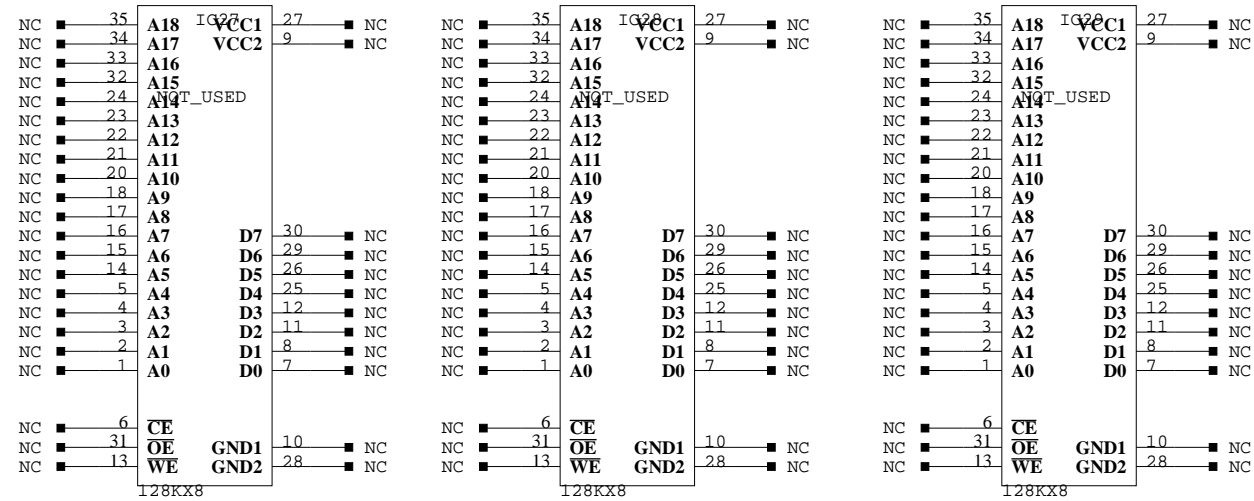


TC Electronic A/S		Designer MAR
Title MANHATTAN M-ONE XL	Module title CODEC	
Number NUMBER	Revision 6AB	Previous page 1
Date 4-4-2002 11:00	Filename CODEC	Page / of 8 / 13



TC Electronic A/S		Designer MAR
Title MANHATTAN M-ONE XL		Module title DSP
Number NUMBER	Revision 6AB	Previous page 1
Date 4-4-2002 11:00	Filename DSP	Page / of 3 / 13

These devices defines the SRAM on the Partlist

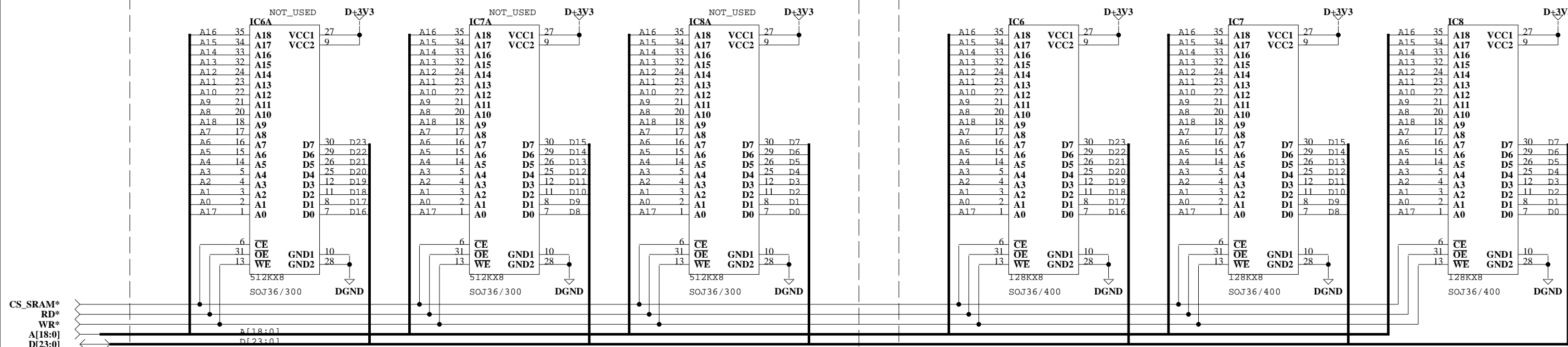


Note: Only one of the Flash types are mounted

TC Electronic A/S		Designer MAR, HK
Title MANHATTAN M-ONE XL	Module title MEMORY	
Number P16001	Revision 6AB	Previous page 1
Date 4-4-2002 11:01	Filename MEM	Page / of 4 / 13

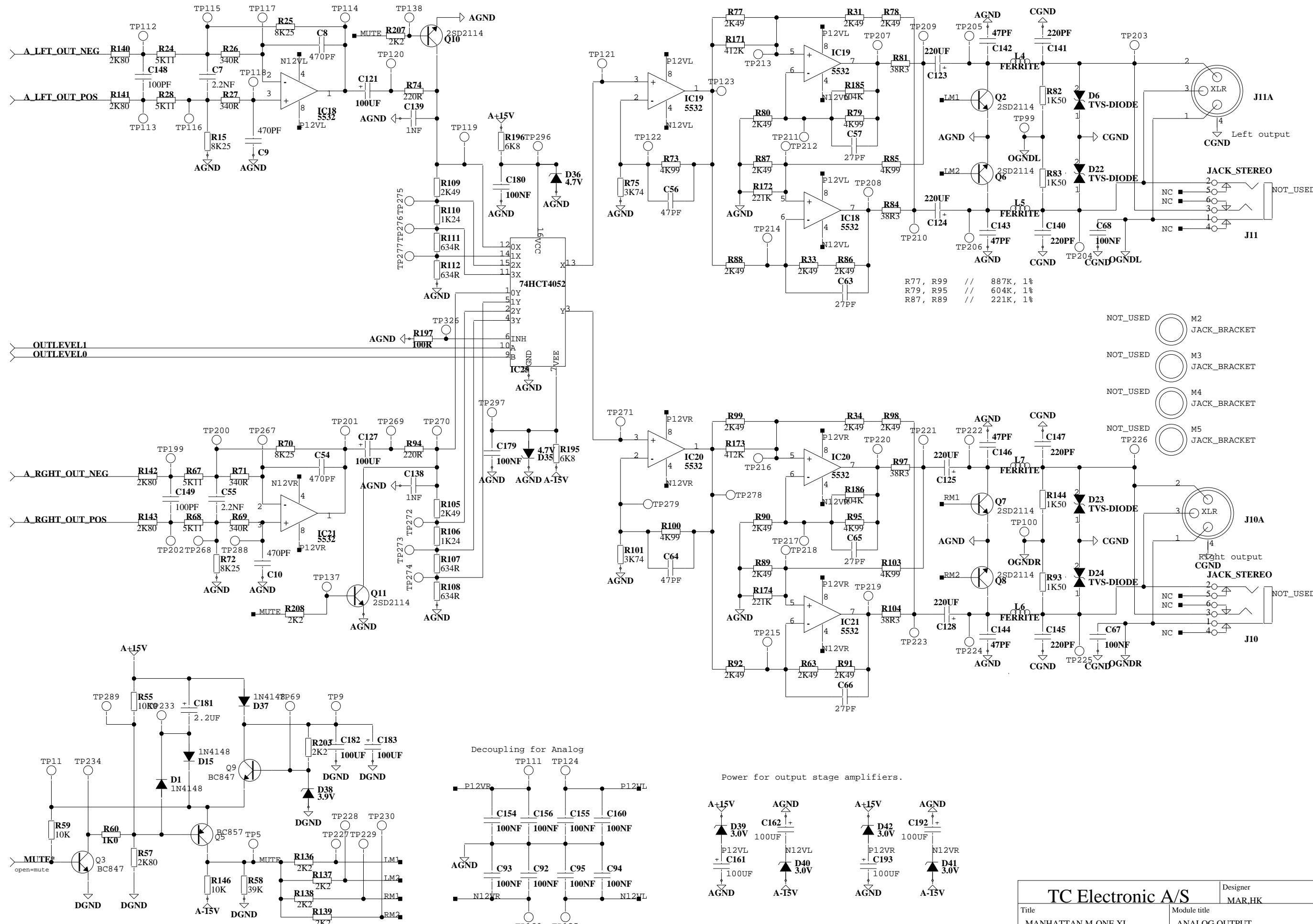
SOJ36/300 mil - 128k/512k

SOJ36/400 mil - 128k/512k



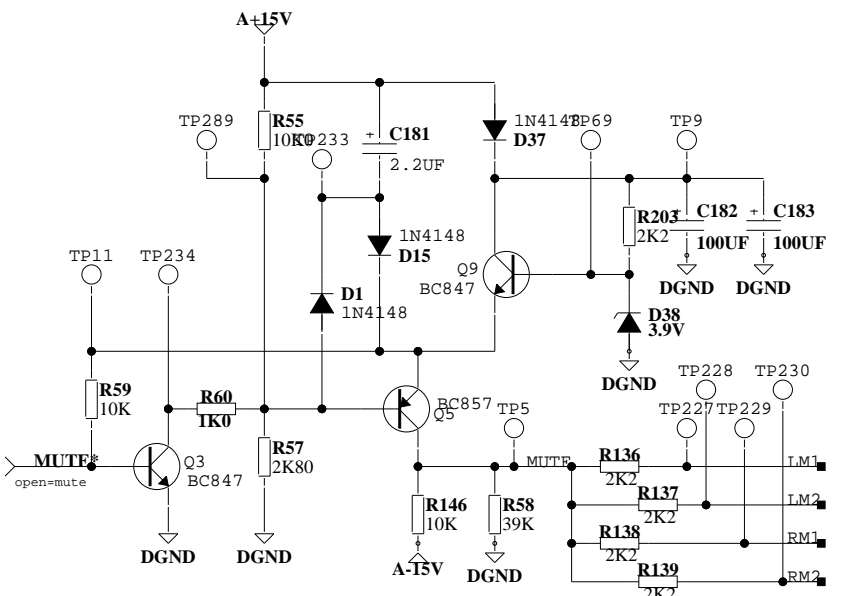
These SRAM devices defines the PCB layout

Title		Module title	Designer
MANHATTAN M-ONE XL		MEMORY - ALT PACKAGE	MAR.HK
Number	Revision	Previous page	
NUMBER	6AB	1	
Date	Filename	Page / of	
4-4-2002 11:01	MEM	5 / 13	

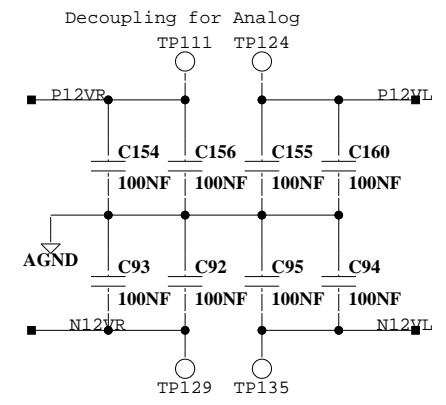


R77, R99 // 887K, 1%
 R79, R95 // 604K, 1%
 R87, R89 // 221K, 1%

- NOT_USED M2 JACK_BRACKET
- NOT_USED M3 JACK_BRACKET
- NOT_USED M4 JACK_BRACKET
- NOT_USED M5 JACK_BRACKET

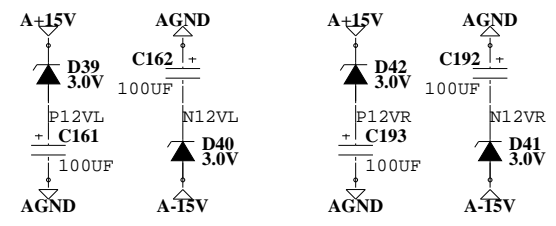


Mute circuit

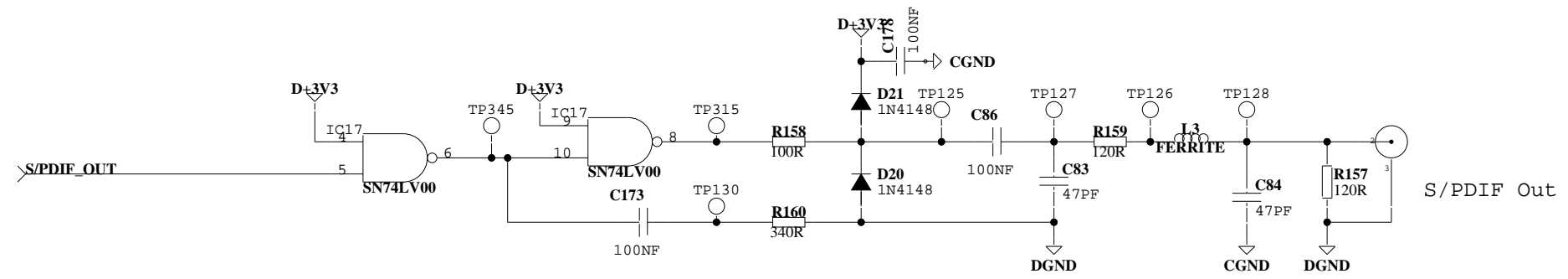


Decoupling for Analog

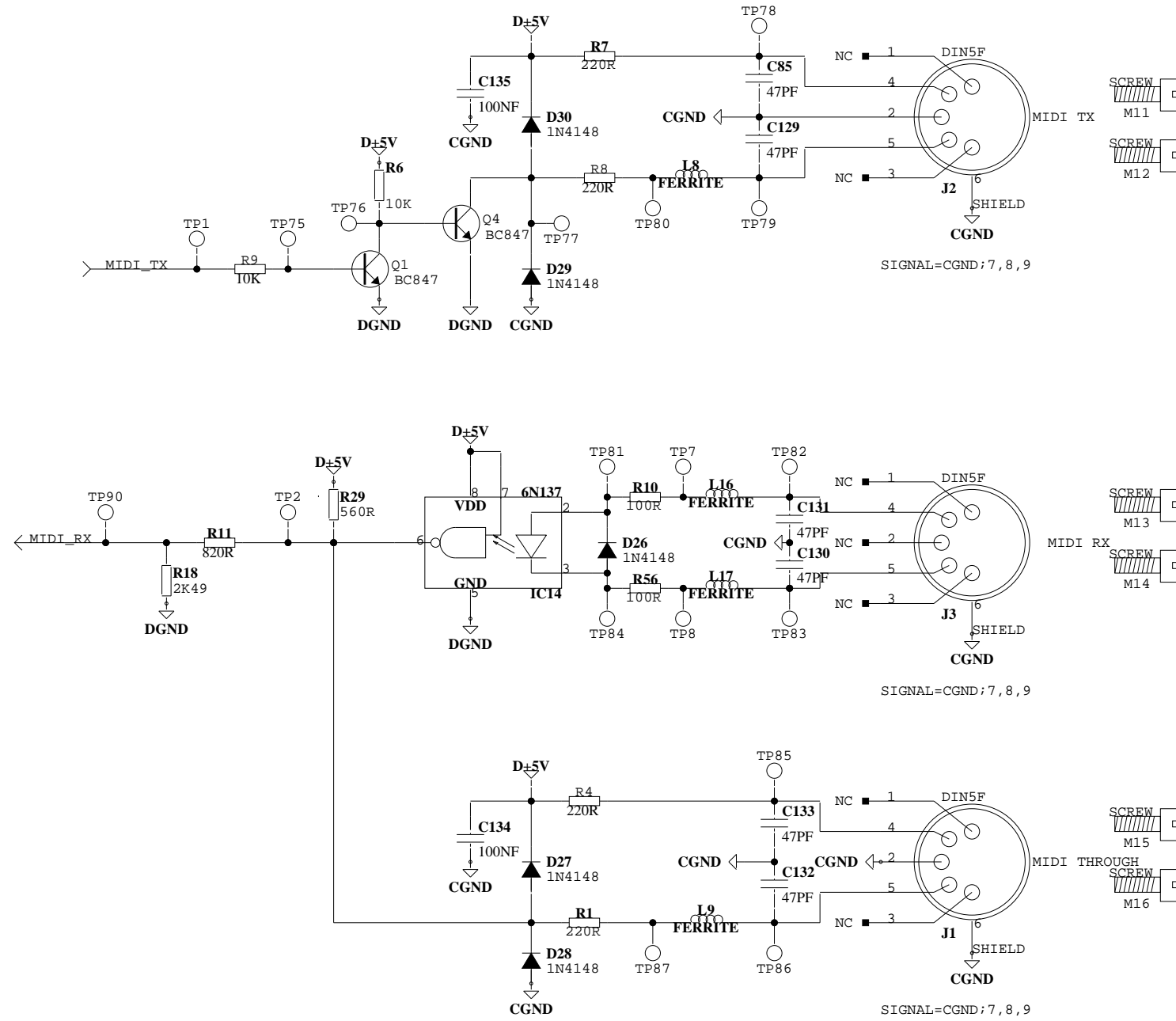
Power for output stage amplifiers.



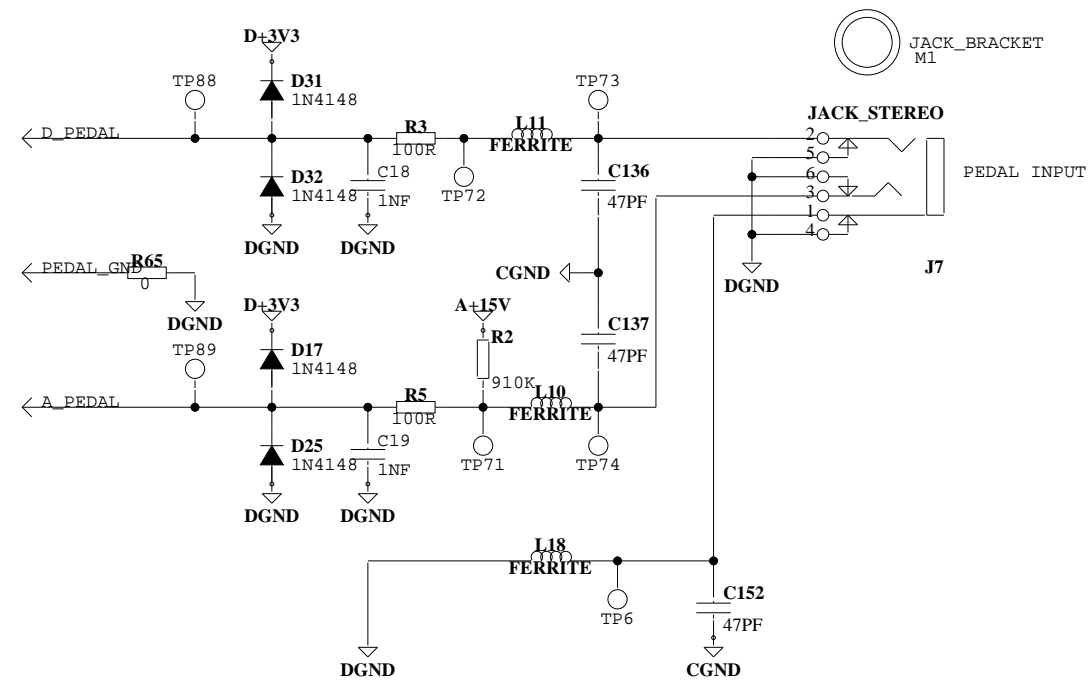
TC Electronic A/S		Designer MAR.HK
Title MANHATTAN M-ONE XL	Module title ANALOG OUTPUT	
Number P16001	Revision 6AB	Previous page 1
Date 4-4-2002 11:01	Filename ANALOG_OUT	Page / of 9 / 13



TC Electronic A/S		Designer MAR
Title MANHATTAN M-ONE XL	Module title DIGITAL OUTPUT	
Number NUMBER	Revision 6AB	Previous page 1
Date 4-4-2002 11:02	Filename DIGITAL_OUT	Page / of 11 / 13



TC Electronic A/S		Designer MAR
Title MANHATTAN M-ONE XL	Module title MIDIINTERFACE	
Number NUMBER	Revision 6AB	Previous page 1
Date 4-4-2002 11:02	Filename MIDI	Page / of 12 / 13

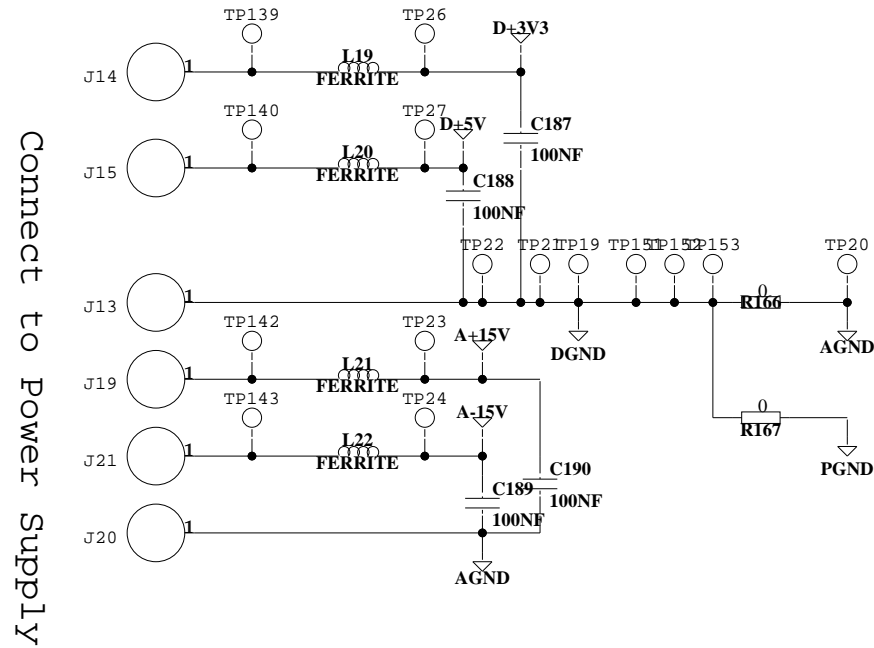
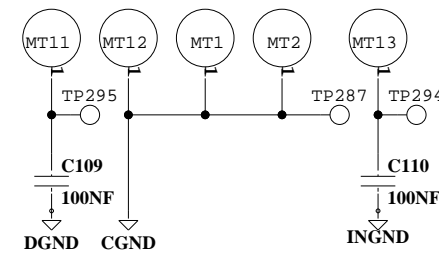
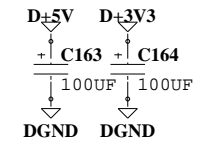
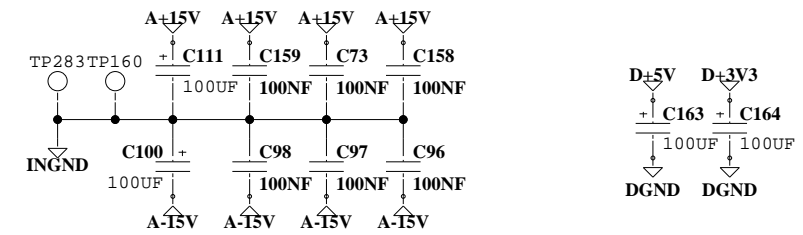
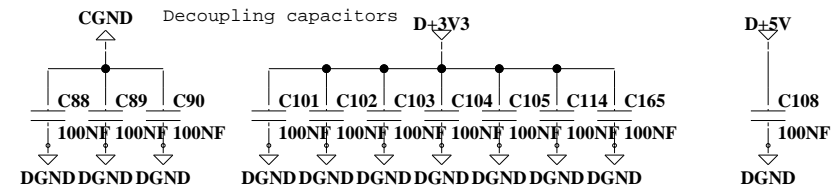
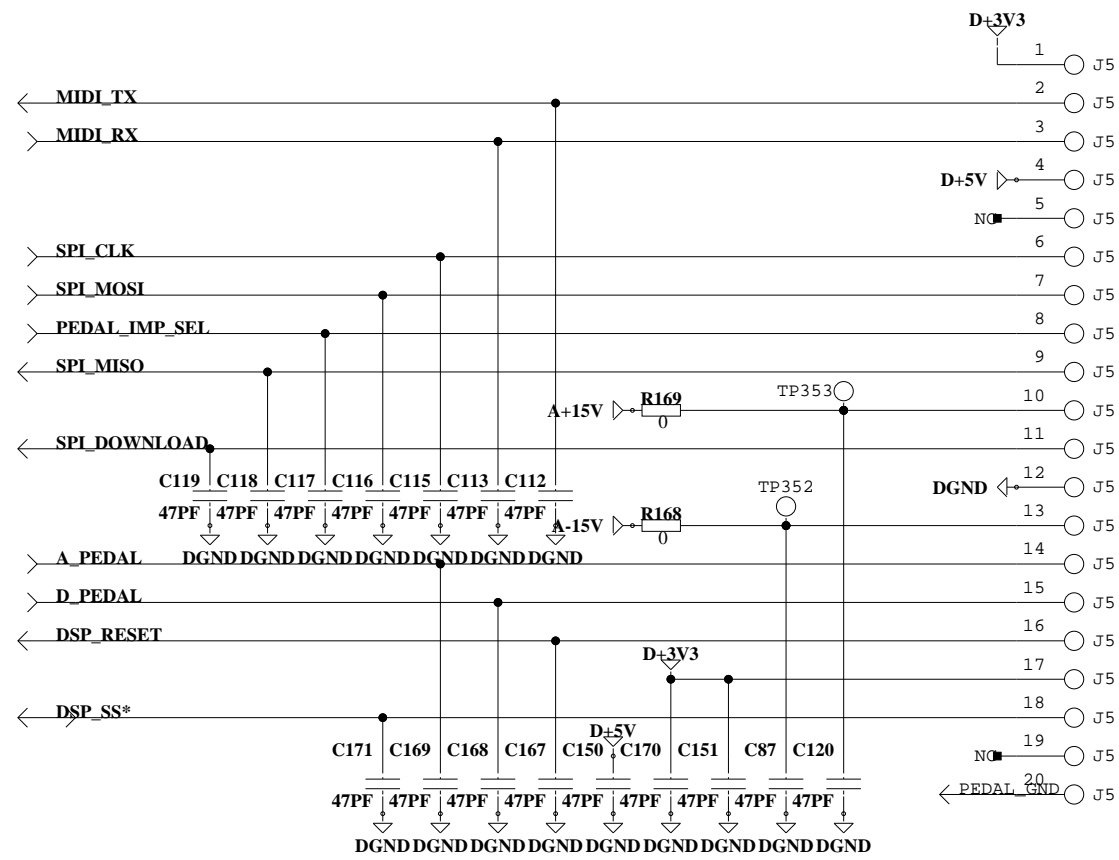


Title		Module title
MANHATTAN M-ONE XL		PEDAL INTERFACE
Number	Revision	Previous page
NUMBER	6AB	1
Date	Filename	Page / of
4-4-2002 11:02	PEDAL	13 / 13

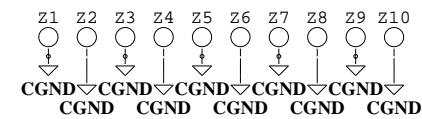
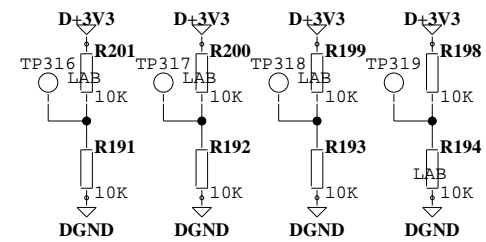
TC Electronic A/S

Designer
MAR

Connect to Front

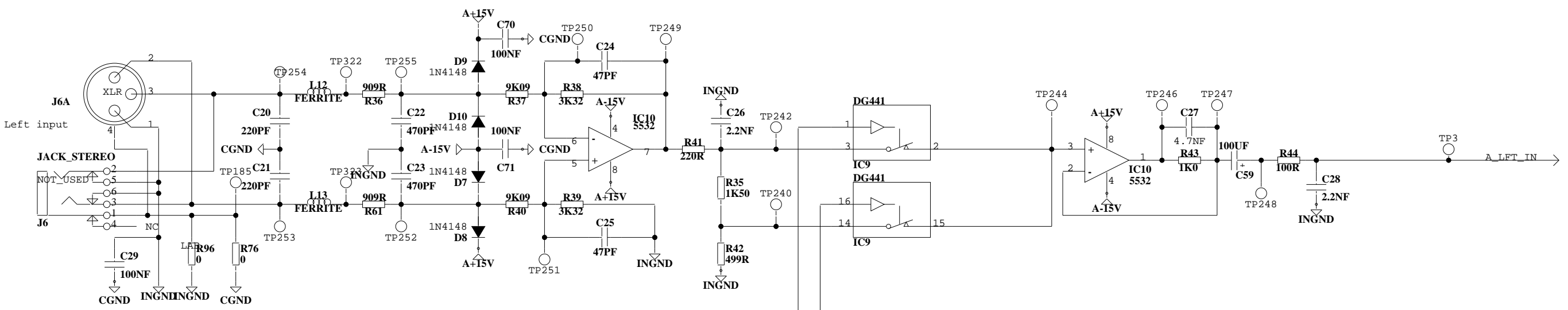


PCB Revision strap field.

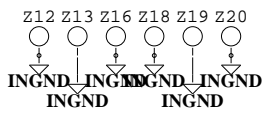
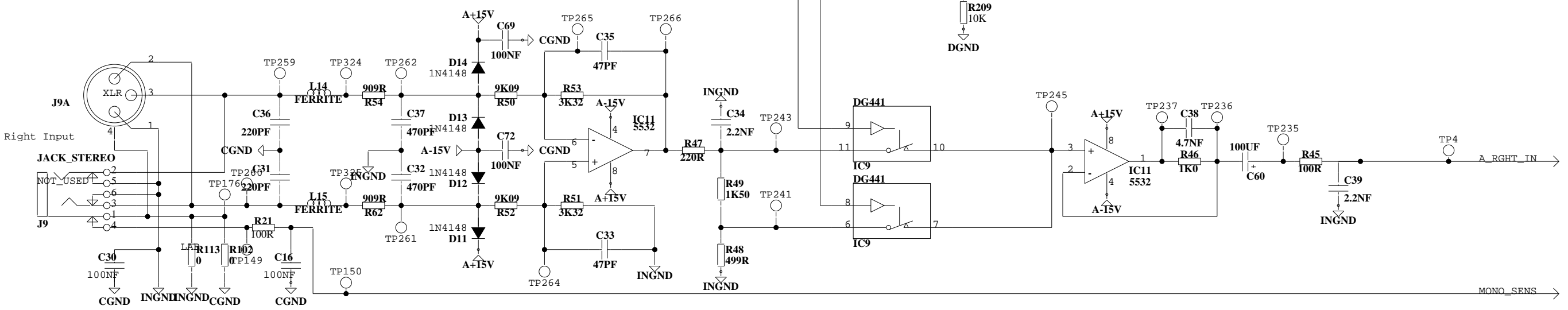


Connect to Power Supply

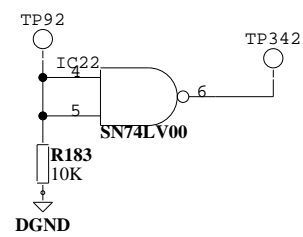
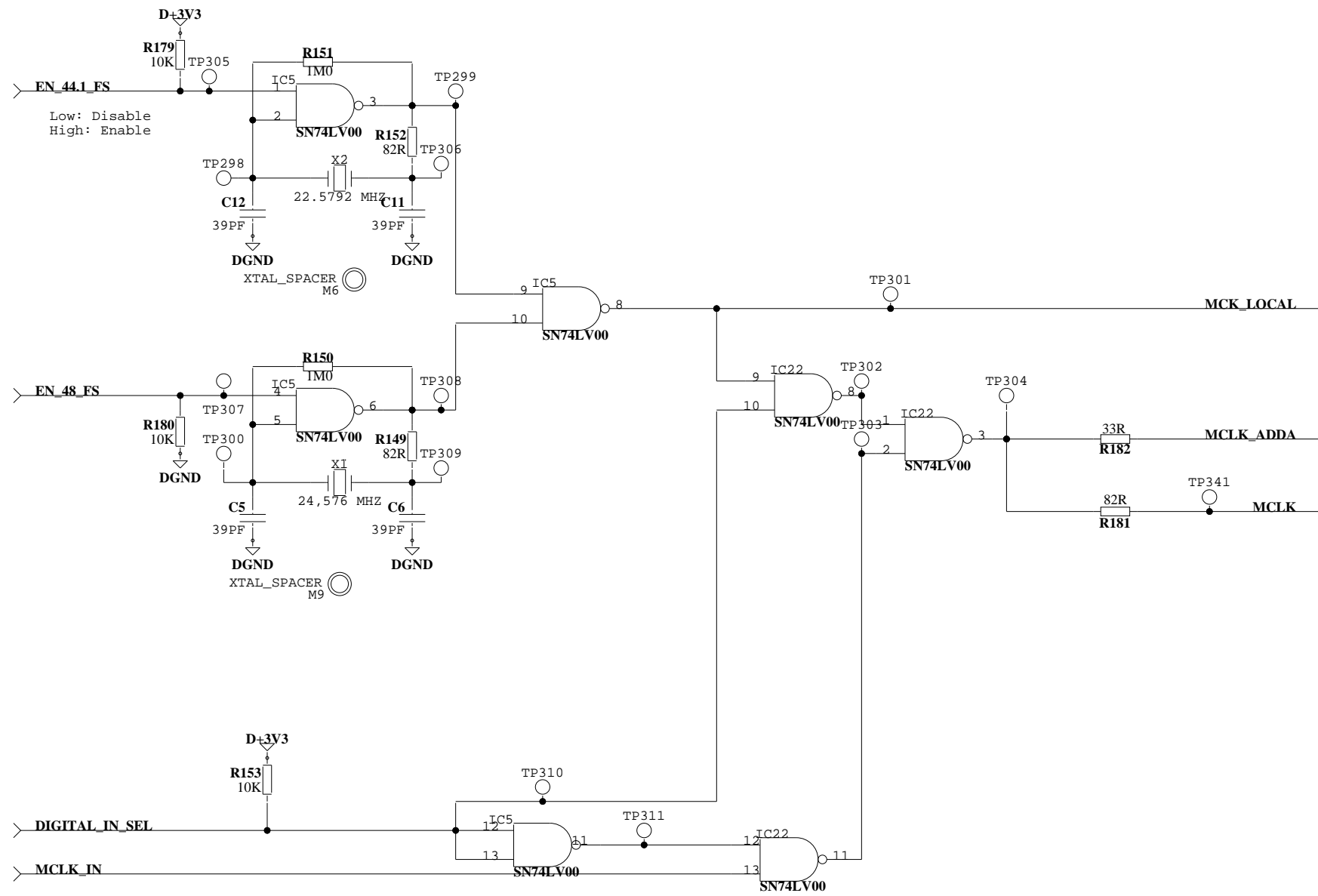
TC Electronic A/S		Designer MAR
Title MANHATTAN M-ONE XL	Module title INTERFACE TO FRONT AND POWER	
Number NUMBER	Revision 6AB	Previous page 1
Date 4-4-2002 11:03	Filename INTERFACE	Page / of 2 / 13



JACK version: R96 and R113 (0 ohm) mounted.
 XLR version: R76 and R102 (0 ohm) mounted



TC Electronic A/S		Designer HK, MAR
Title MANHATTAN M-ONE XL	Module title ANALOG INPUT	
Number P16001	Revision 6AB	Previous page 1
Date 4-4-2002 11:03	Filename ANALOG_IN	Page / of 7 / 12



TC Electronic A/S		Designer MAR
Title MANHATTAN M-ONE XL	Module title CLOCK	
Number NUMBER	Revision 6AB	Previous page 1
Date 4-4-2002 11:03	Filename CLOCK	Page / of 6 / 13