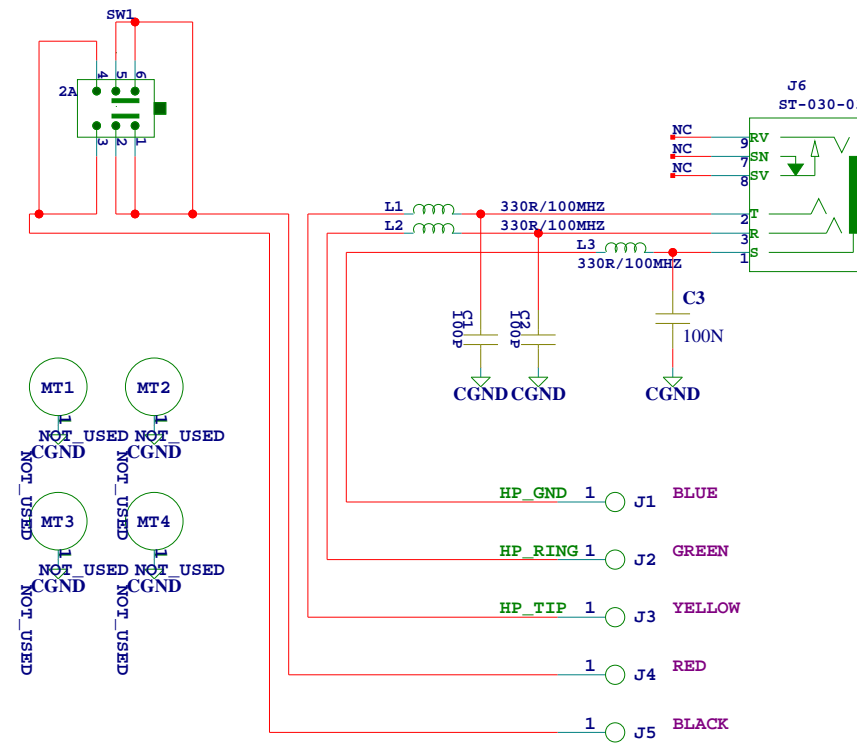


POWER SWITCH

HEADPHONE



M1
P22693-C

TC Electronic A/S		Designer JNS
Title TAR SANDS		Module title HEADPHONE AND POWER SUB-BOARD
Number P22693	Revision BAA	Previous page XX
Date 4-8-2008	Filename P22693-C	Page / of 1 / 1