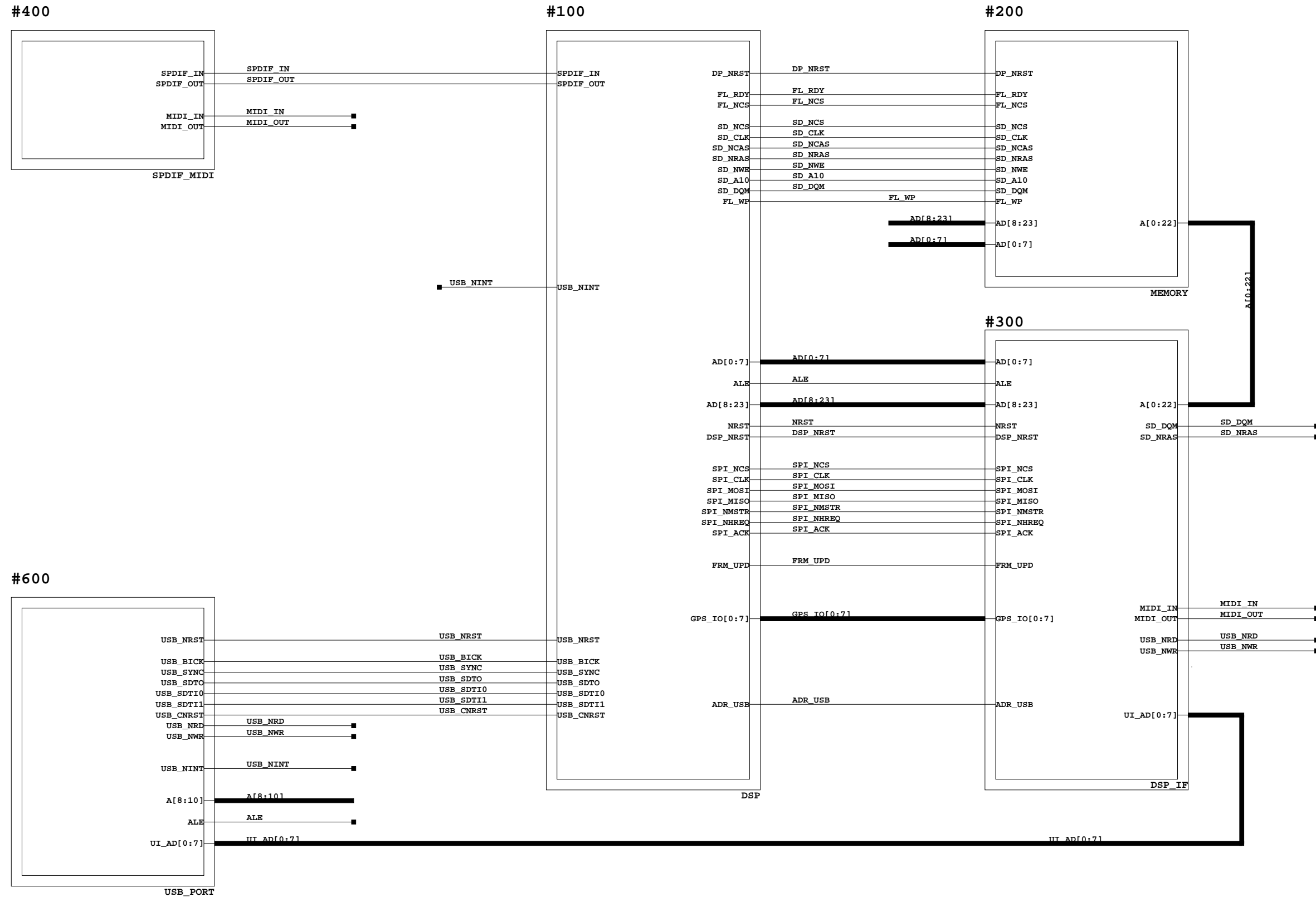


# DIGITAL IO

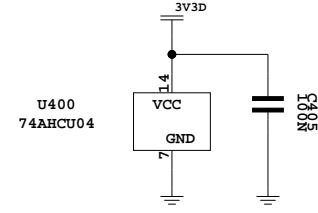
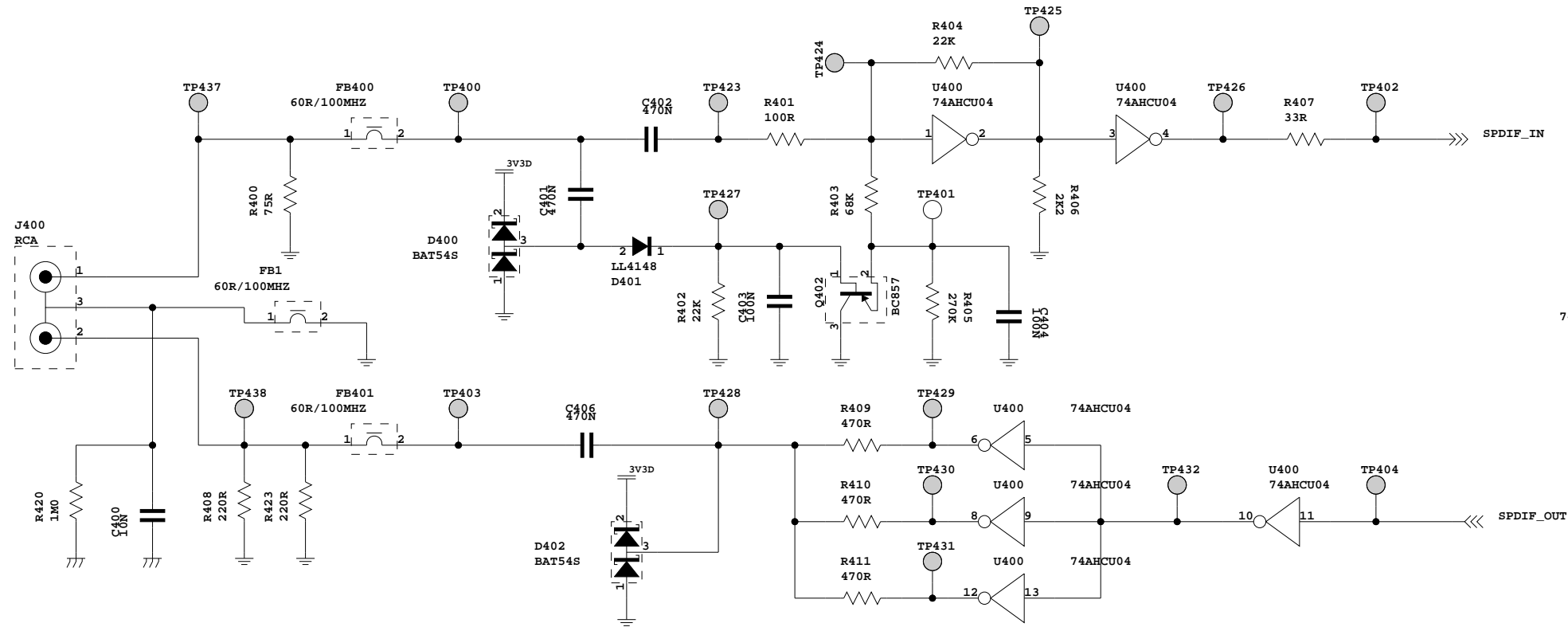


M100  
P22617-E

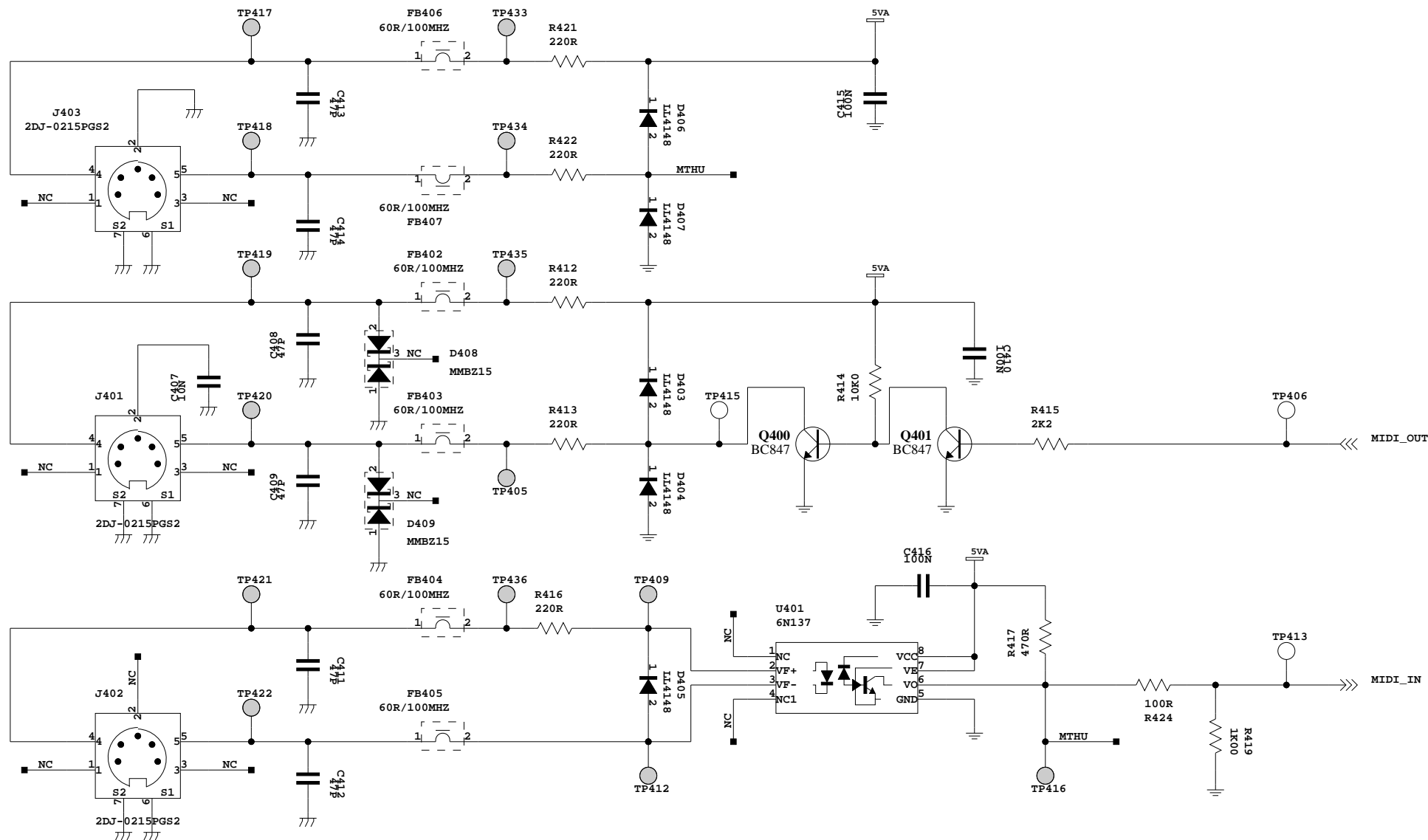
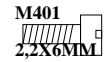
TC Electronic A/S		Designer DKH/GA
Title NARES		Module title DIGITAL IO
Number P22617	Revision EAB	Previous page XX
Date 4-8-2008	Filename P22617-E	Page / of 1 / 1

# SPDIF / MIDI IO

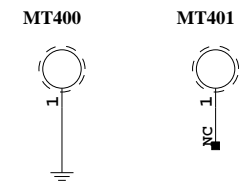
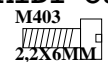
## SPDIF I/O



## MIDI THRU



## MIDI OUT



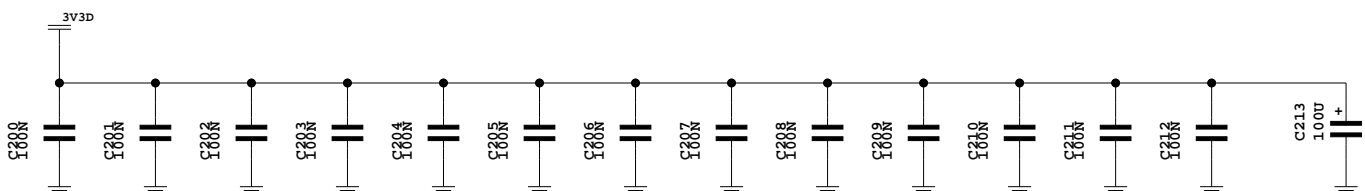
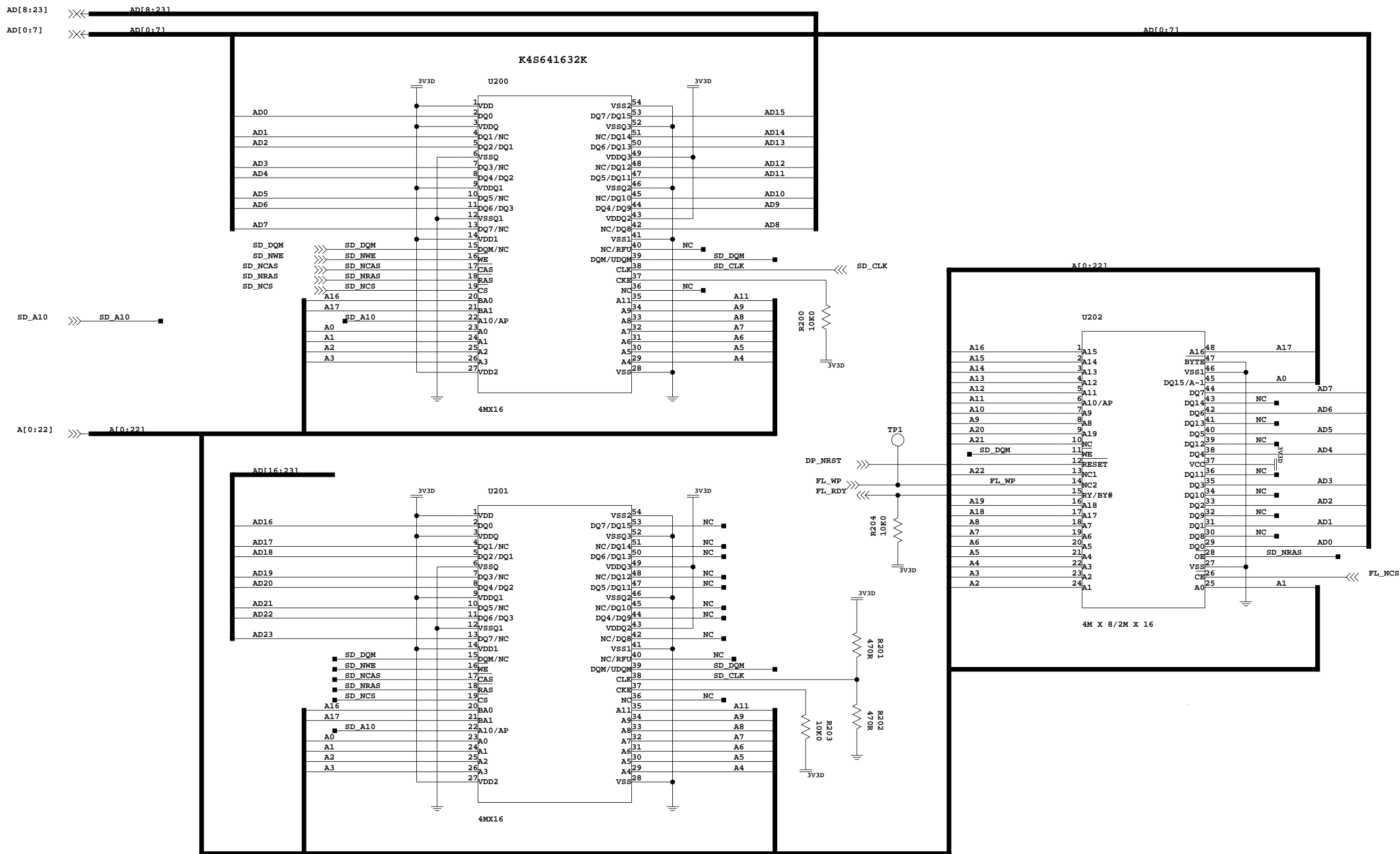
## MIDI IN



#400

TC Electronic A/S		Designer DKH/GA
Title NARES		Module title DIGITAL IO
Number P22617	Revision EAB	Previous page XX
Date 4-8-2008	Filename SPDIF_MIDI	Page / of 1 / 1

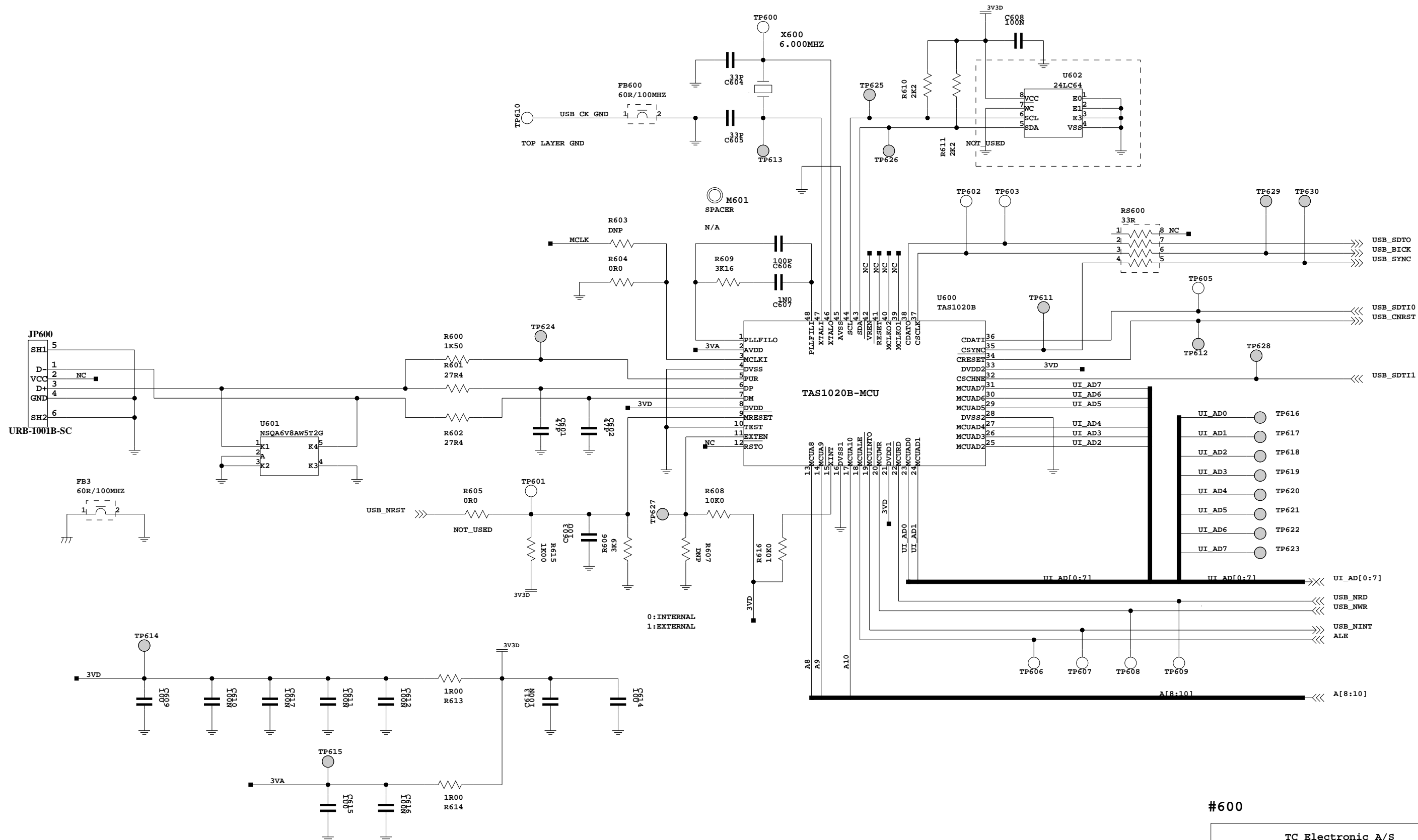
# MEMORY



#200

TC Electronic A/S		Designer DKH/GA
Title NARES		Module title DIGITAL IO
Number P22617	Revision EAB	Previous page XX
Date 4-8-2008	Filename MEMORY	Page / of 1 / 1

# USB PORT

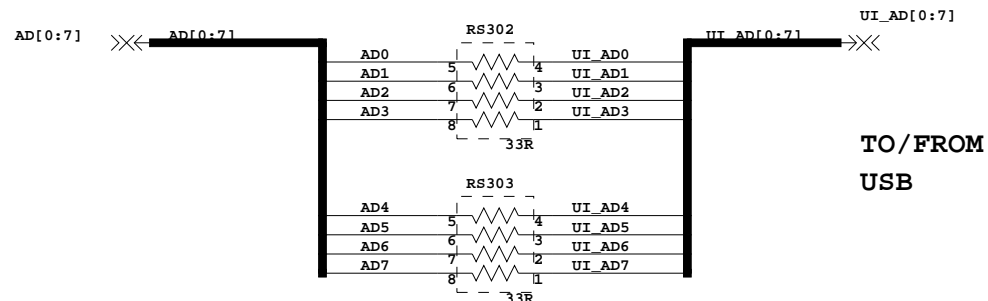


#600

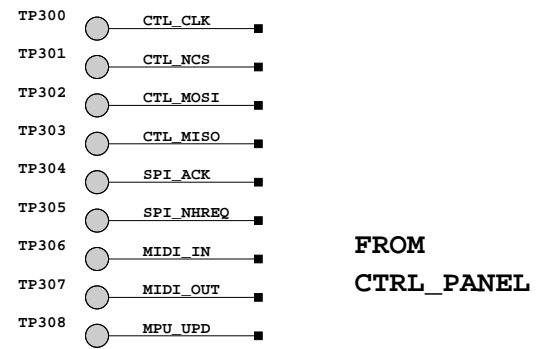
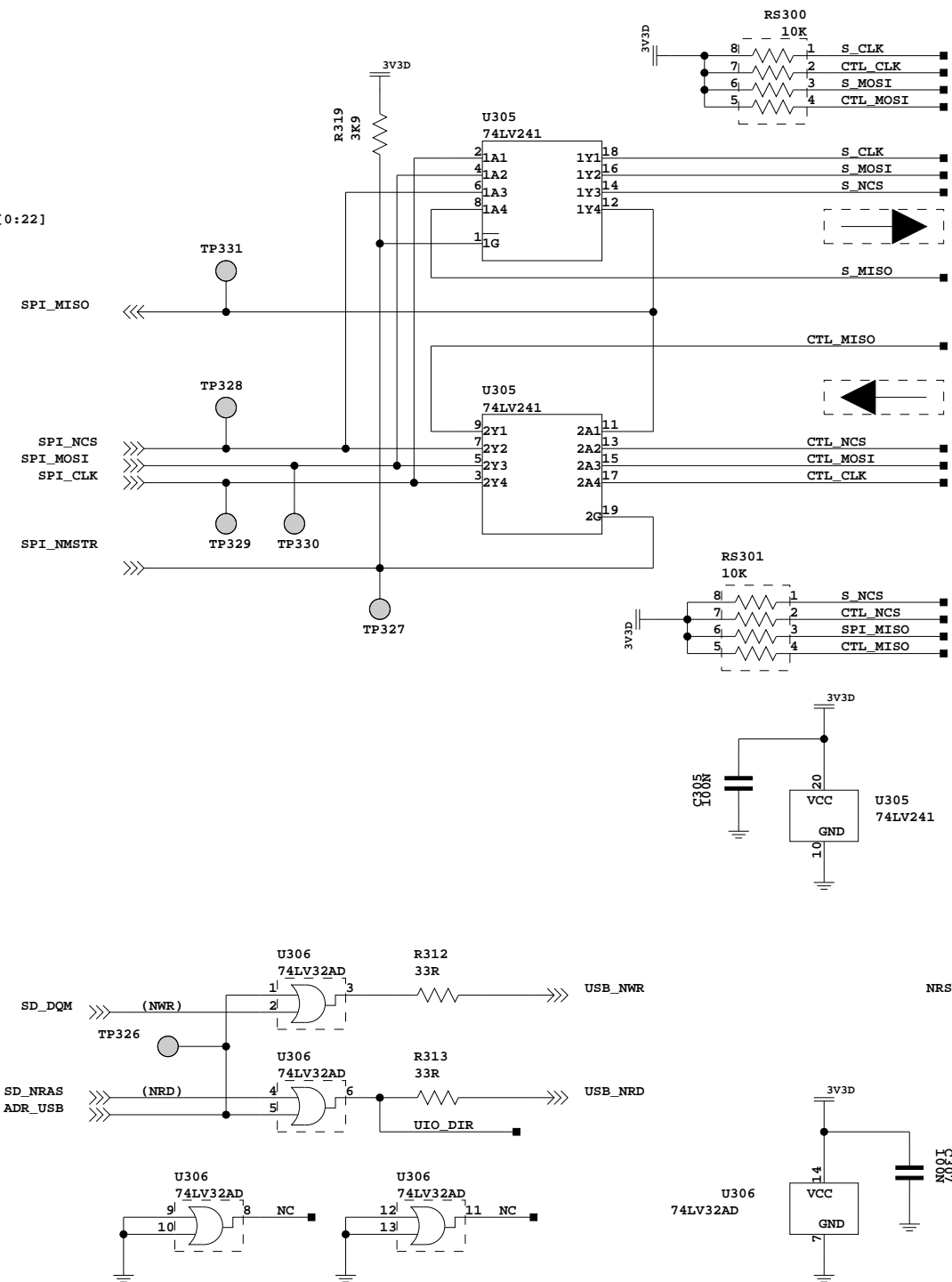
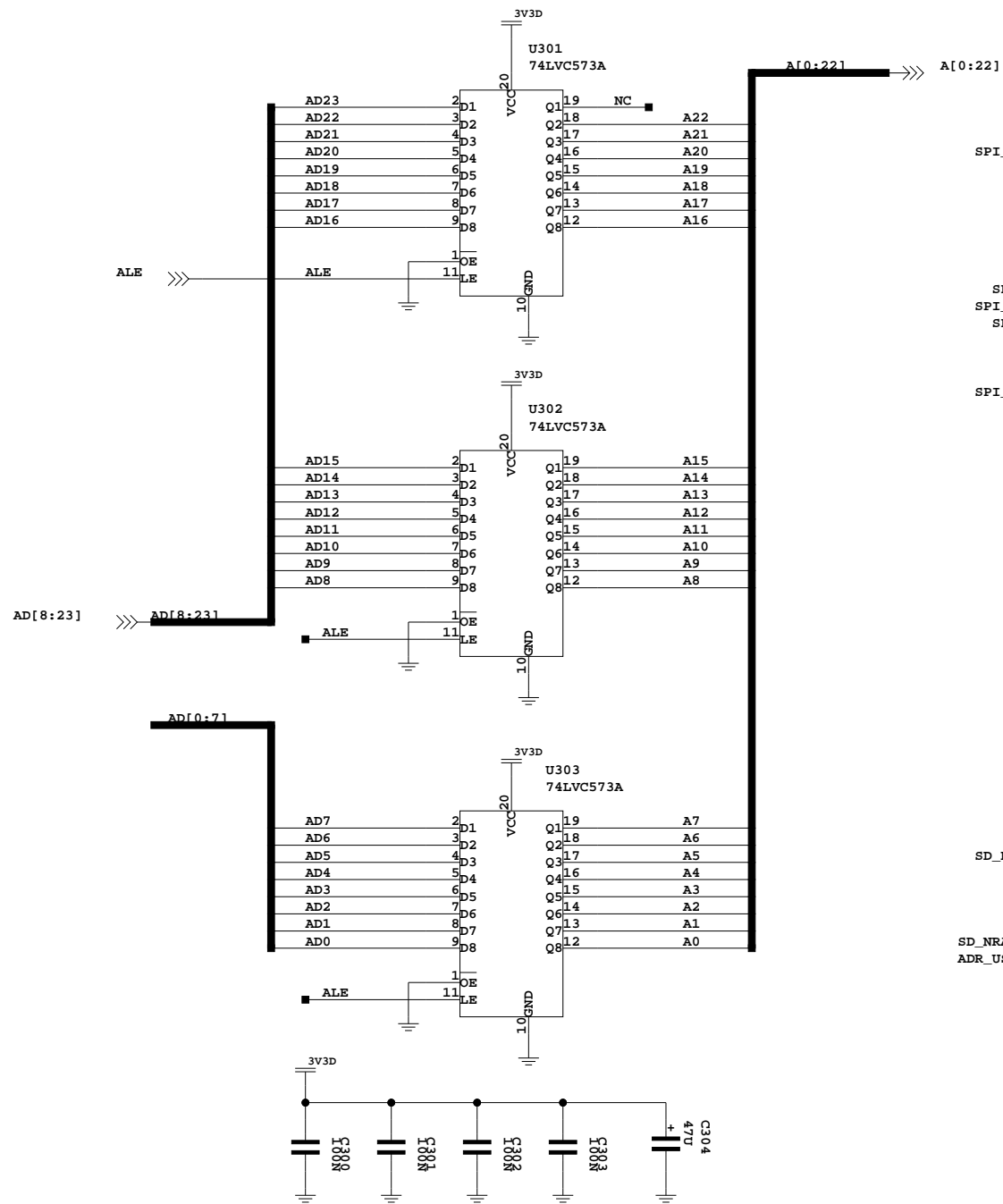
TC Electronic A/S		Designer DKH/GA
Title NARES		Module title DIGITAL IO
Number P22617	Revision EAB	Previous page XX
Date 4-8-2008	Filename USB_PORT	Page / of 1 / 1

# DSP IF

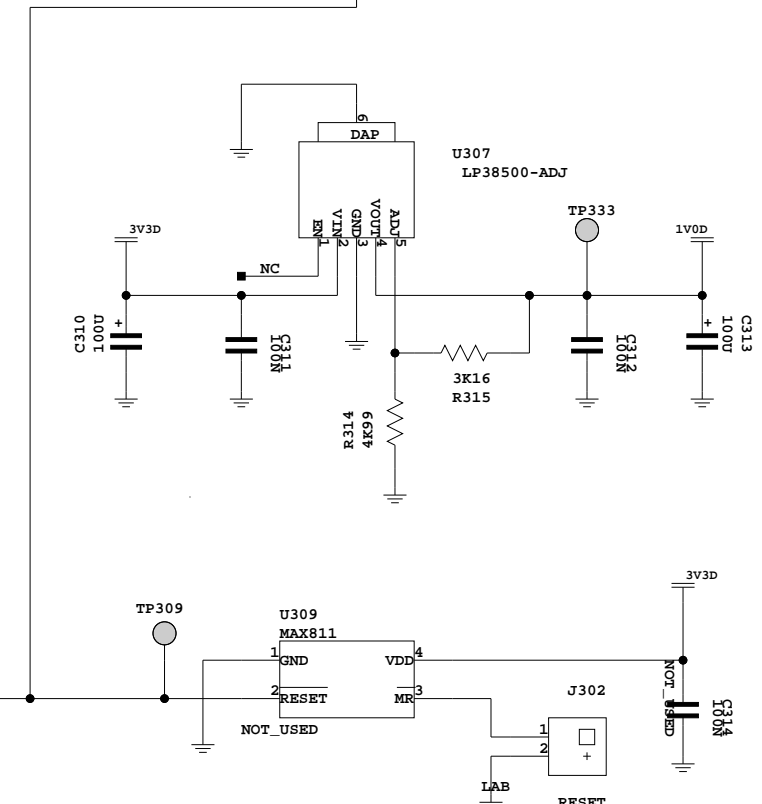
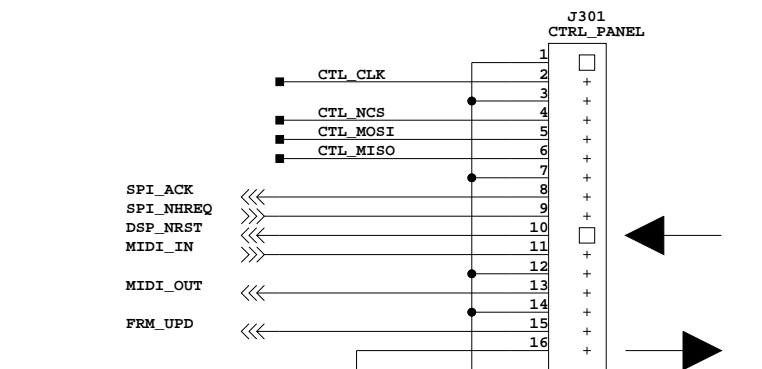
Mount under U300



TO/FROM  
USB



FROM  
CTRL\_PANEL



#300

TC Electronic A/S		Designer DKH/GA
Title NARES		Module title DIGITAL IO
Number P22617	Revision EAB	Previous page XX
Date 4-8-2008	Filename DSP_IF	Page / of 1 / 1

