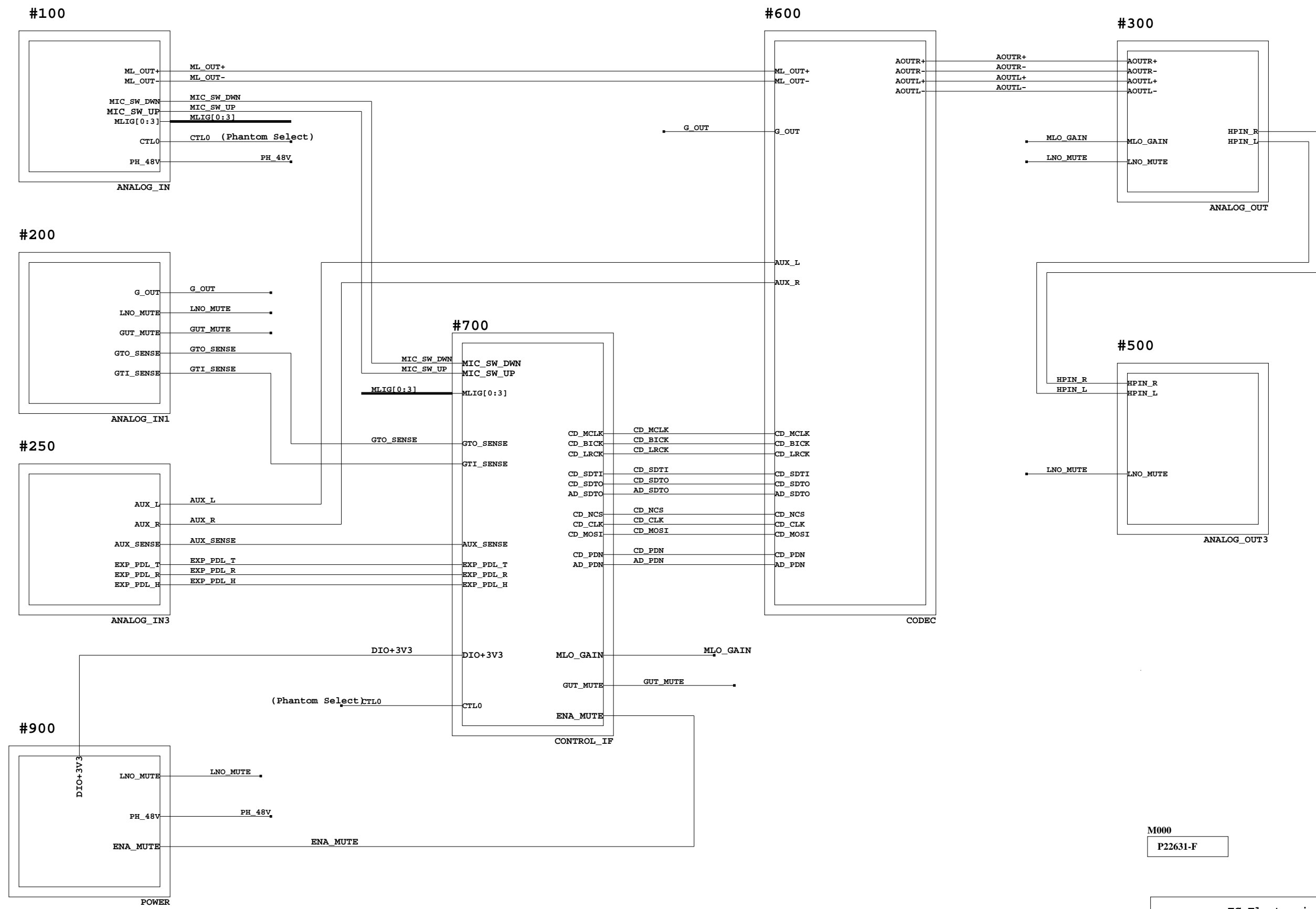


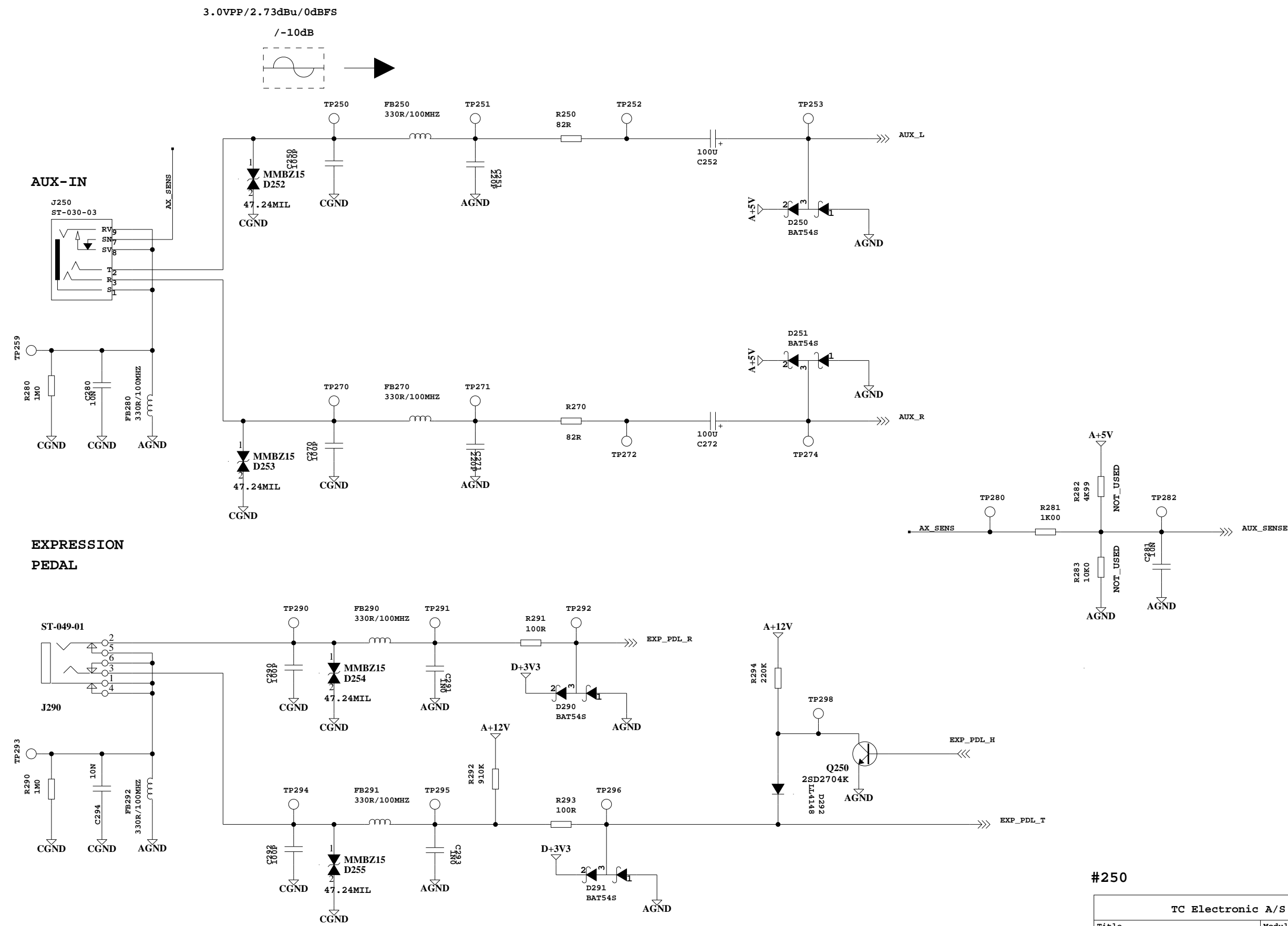
ANALOG IO



M000
P22631-F

TC Electronic A/S		Designer DKH/GA
Title NARES		Module title ANALOG IO
Number P22631	Revision FAE	Previous page XX
Date 4-8-2008	Filename P22631-F	Page / of 1 / 1

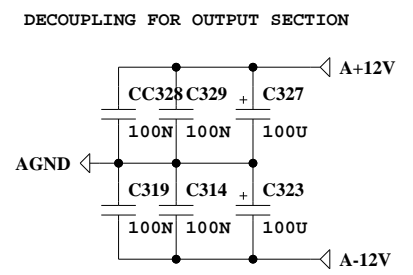
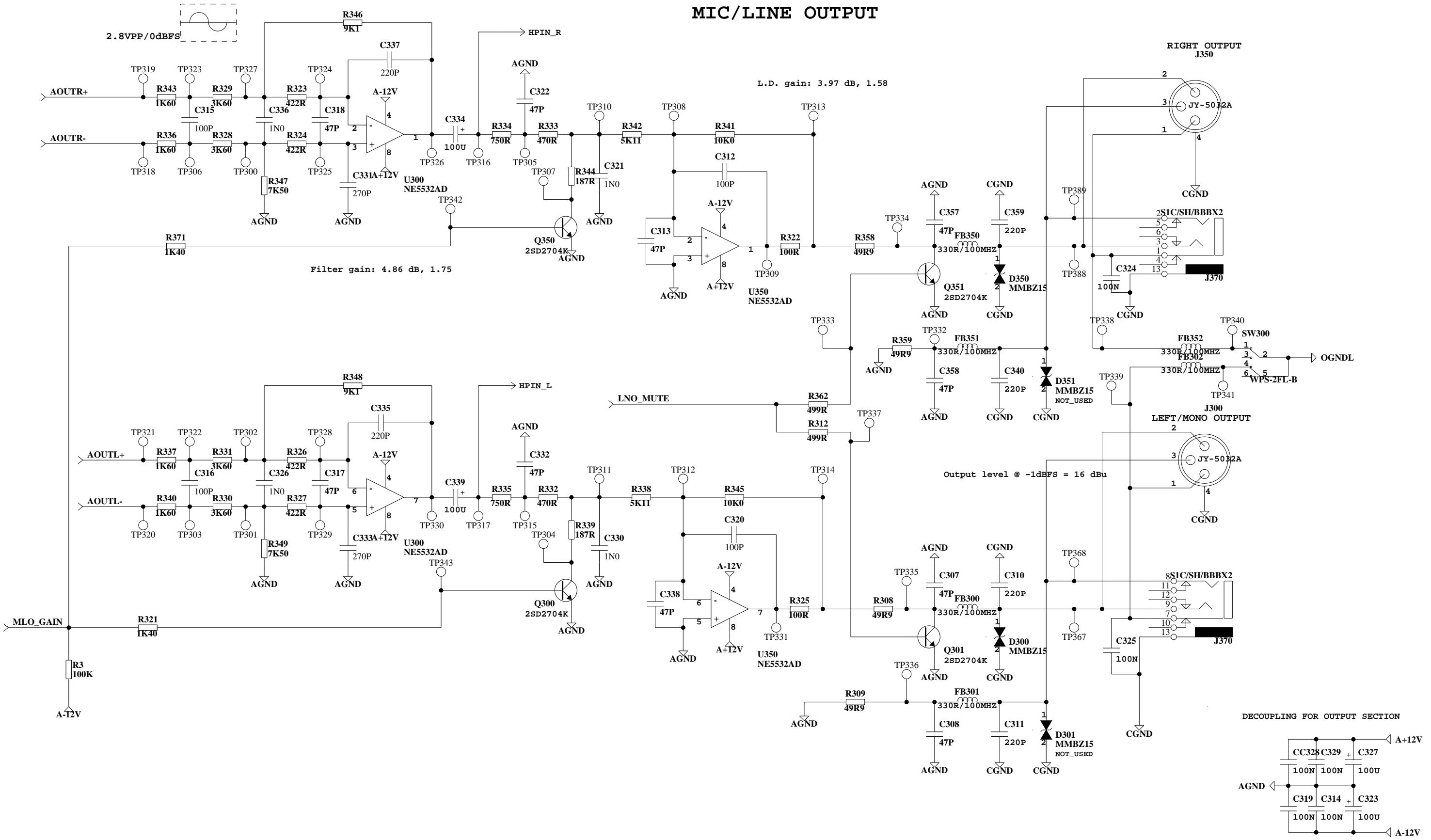
AUX / EXPRESSION PEDAL INPUT



#250

TC Electronic A/S		Designer DKH/GA
Title NARES		Module title ANALOG IO
Number P22631	Revision FAE	Previous page XX
Date 4-8-2008	Filename ANALOG_IN3	Page / of 1 / 1

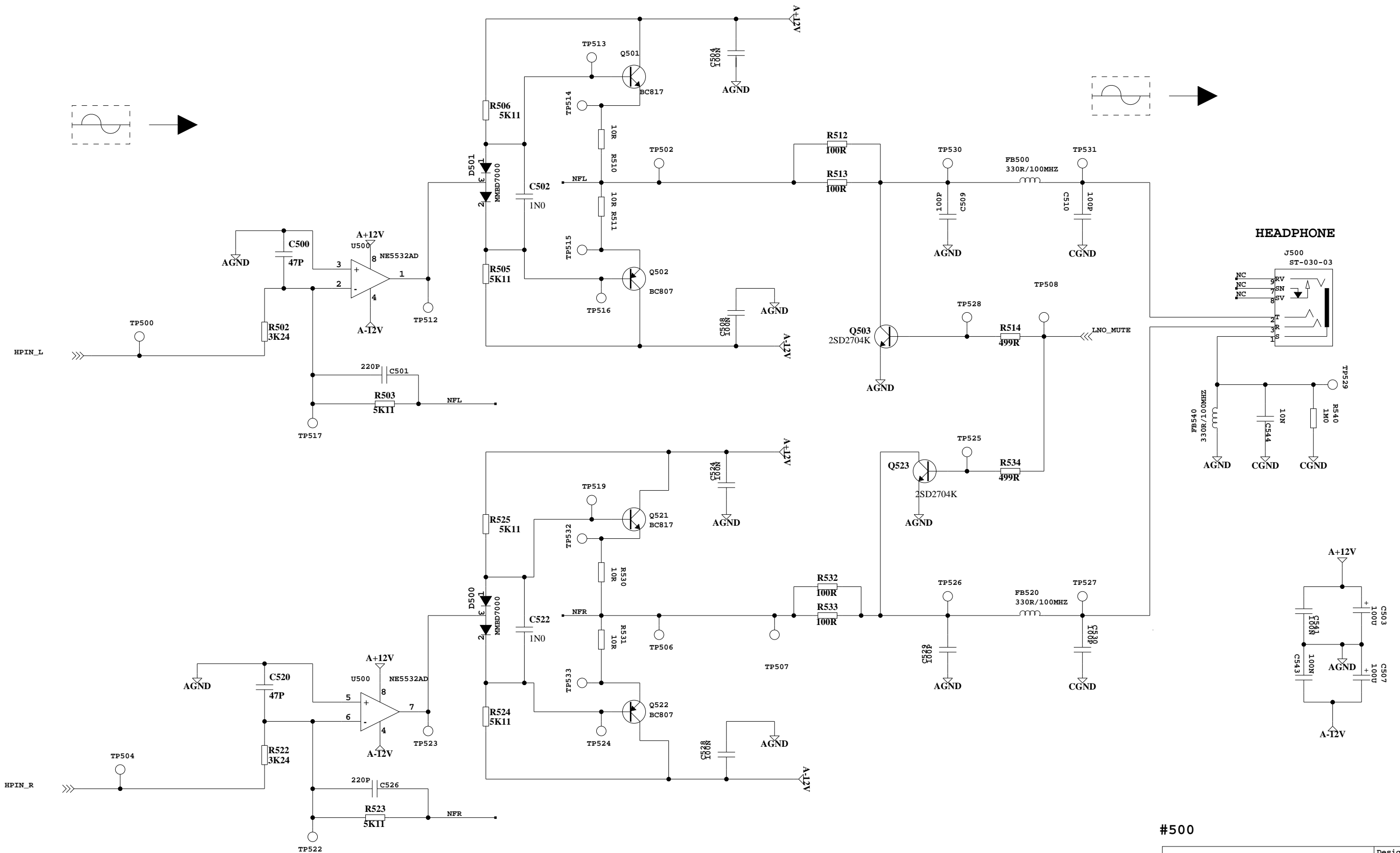
MIC/LINE OUTPUT



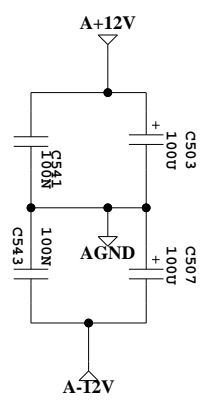
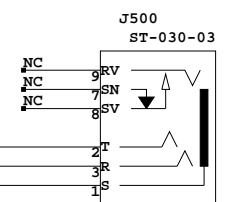
#300

TC Electronic A/S		Designer DKH/GA
Title NARES	Module title ANALOG IO	
Number P22631	Revision FAE	Previous page XX
Date 4-8-2008	Filename ANALOG_OUT	Page / of 1 / 1

PHONE OUTPUT



HEADPHONE



#500

TC Electronic A/S		Designer DKH/GA
Title NARES	Module title ANALOG IO	
Number P22631	Revision FAE	Previous page XX
Date 4-8-2008	Filename ANALOG_OUT3	Page / of 1 / 1

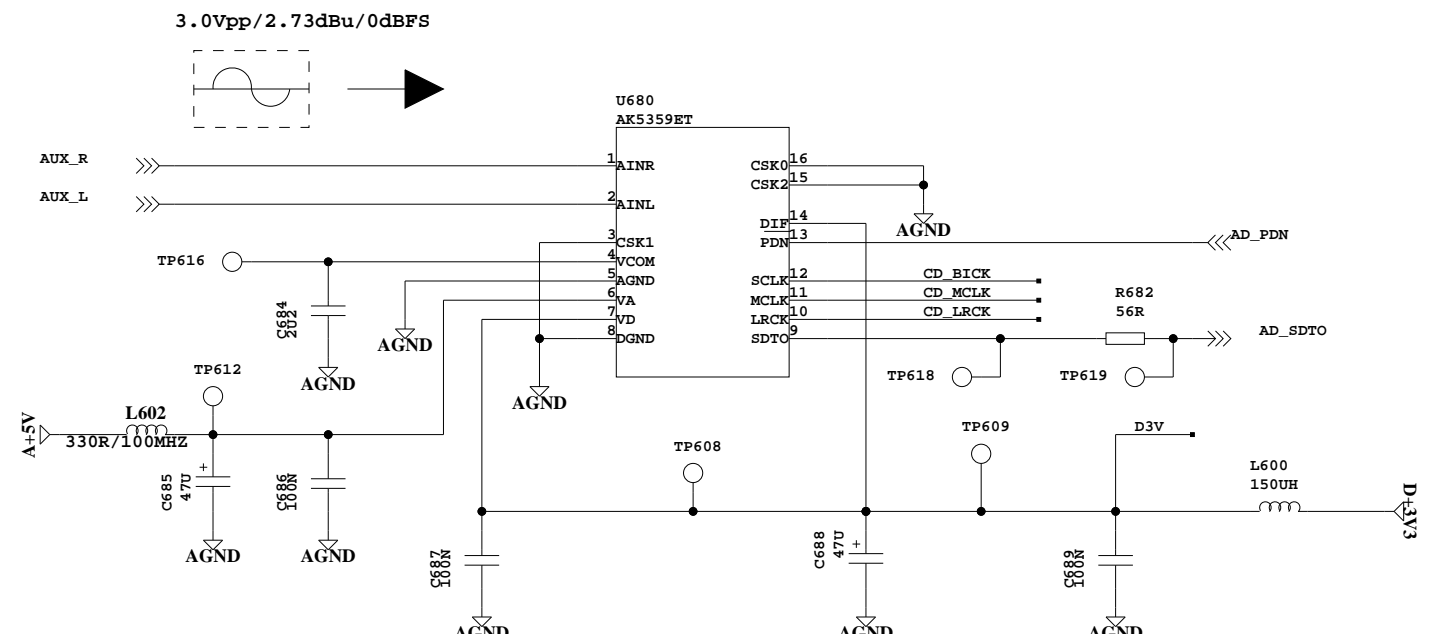
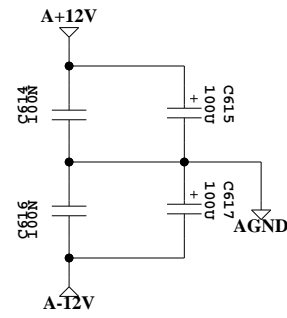
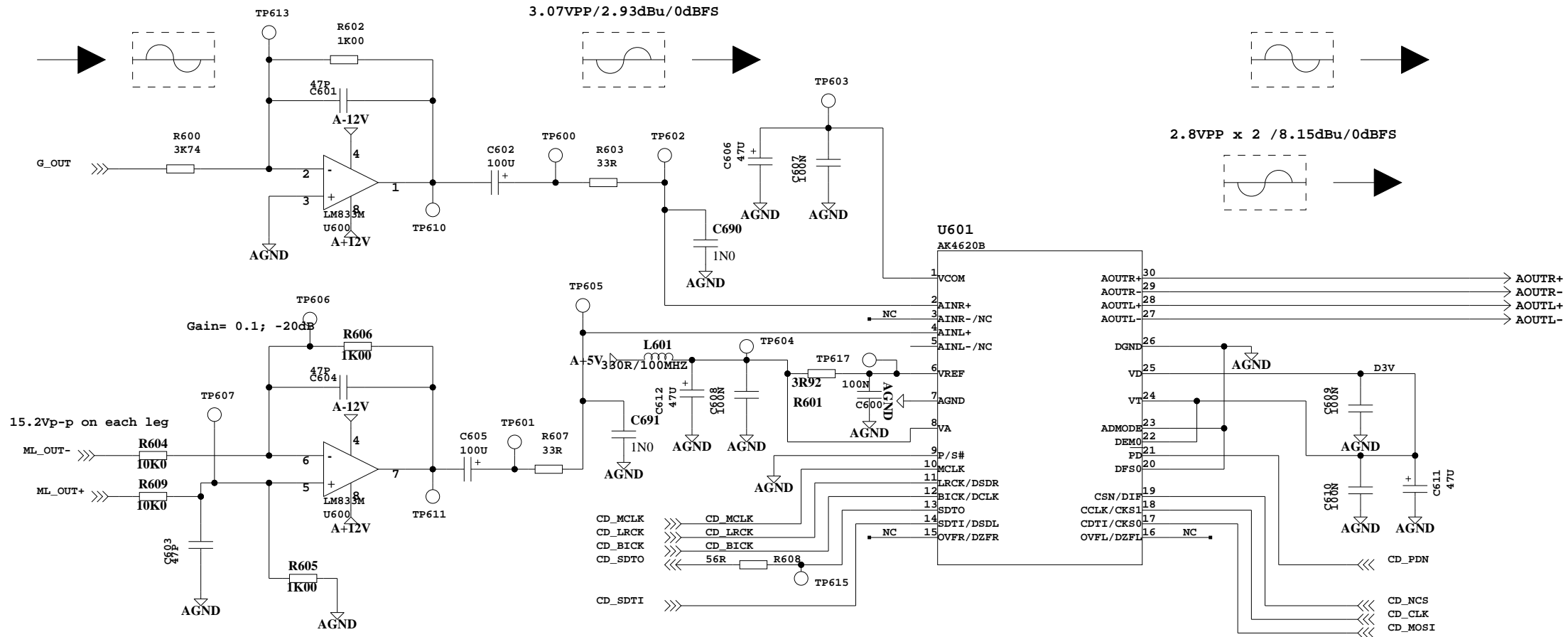
CODEC

Gain= 0.267; -11.45dB

3.07VPP/2.93dBu/0dBFS

2.8VPP x 2 / 8.15dBu/0dBFS

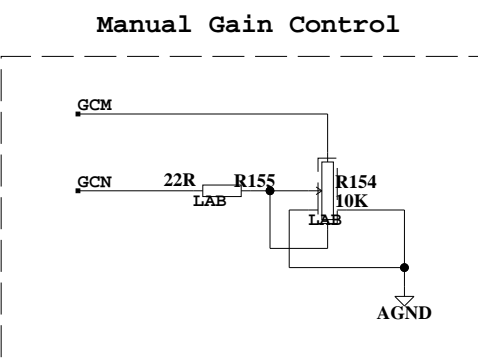
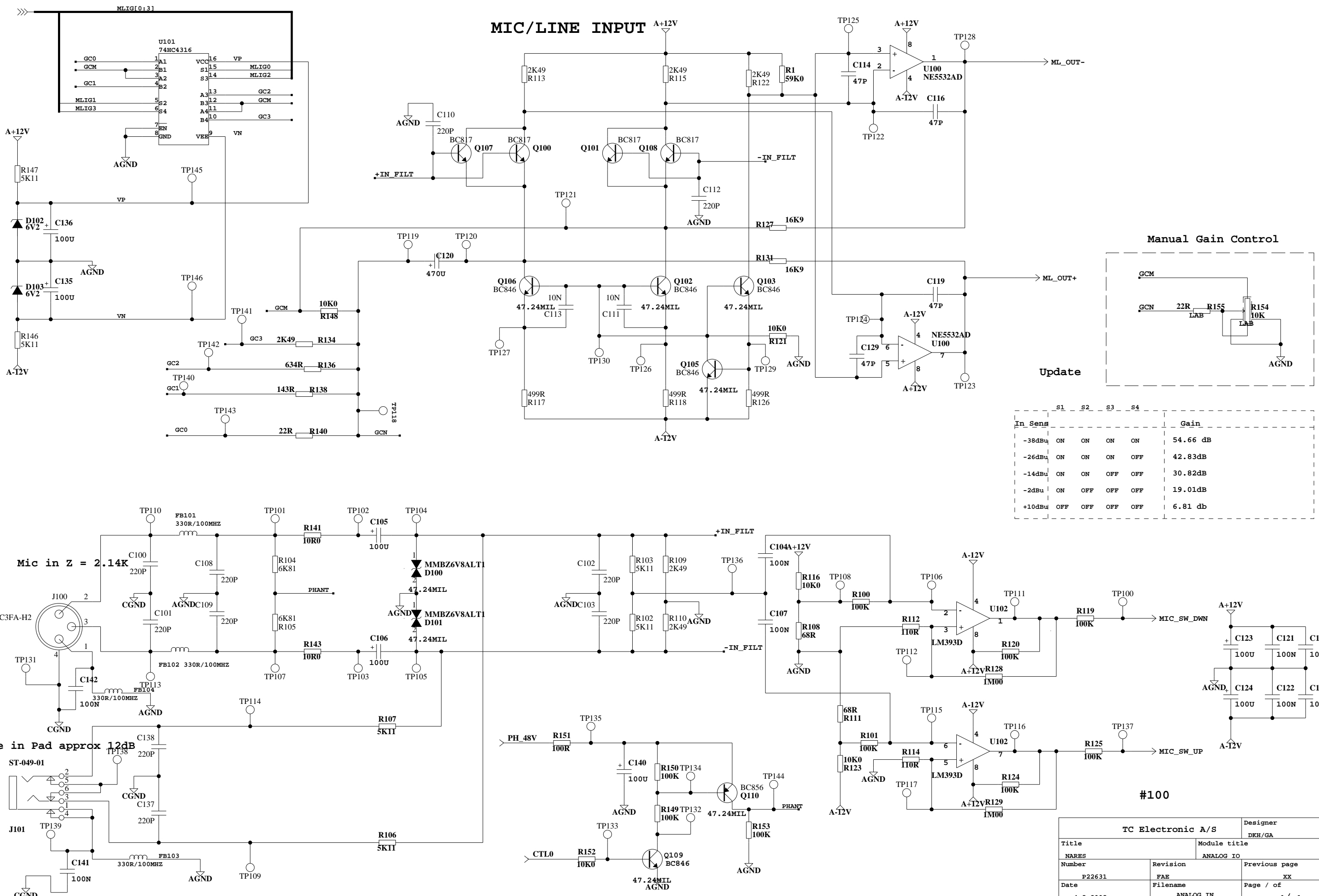
3.0Vpp/2.73dBu/0dBFS



#600

TC Electronic A/S		Designer DKH/GA
Title NARES		Module title ANALOG IO
Number P22631	Revision FAE	Previous page XX
Date 4-8-2008	Filename CODEC	Page / of 1 / 1

MIC/LINE INPUT



In Sens	S1	S2	S3	S4	Gain
-38dBu	ON	ON	ON	ON	54.66 dB
-26dBu	ON	ON	ON	OFF	42.83dB
-14dBu	ON	ON	OFF	OFF	30.82dB
-2dBu	ON	OFF	OFF	OFF	19.01dB
+10dBu	OFF	OFF	OFF	OFF	6.81 db

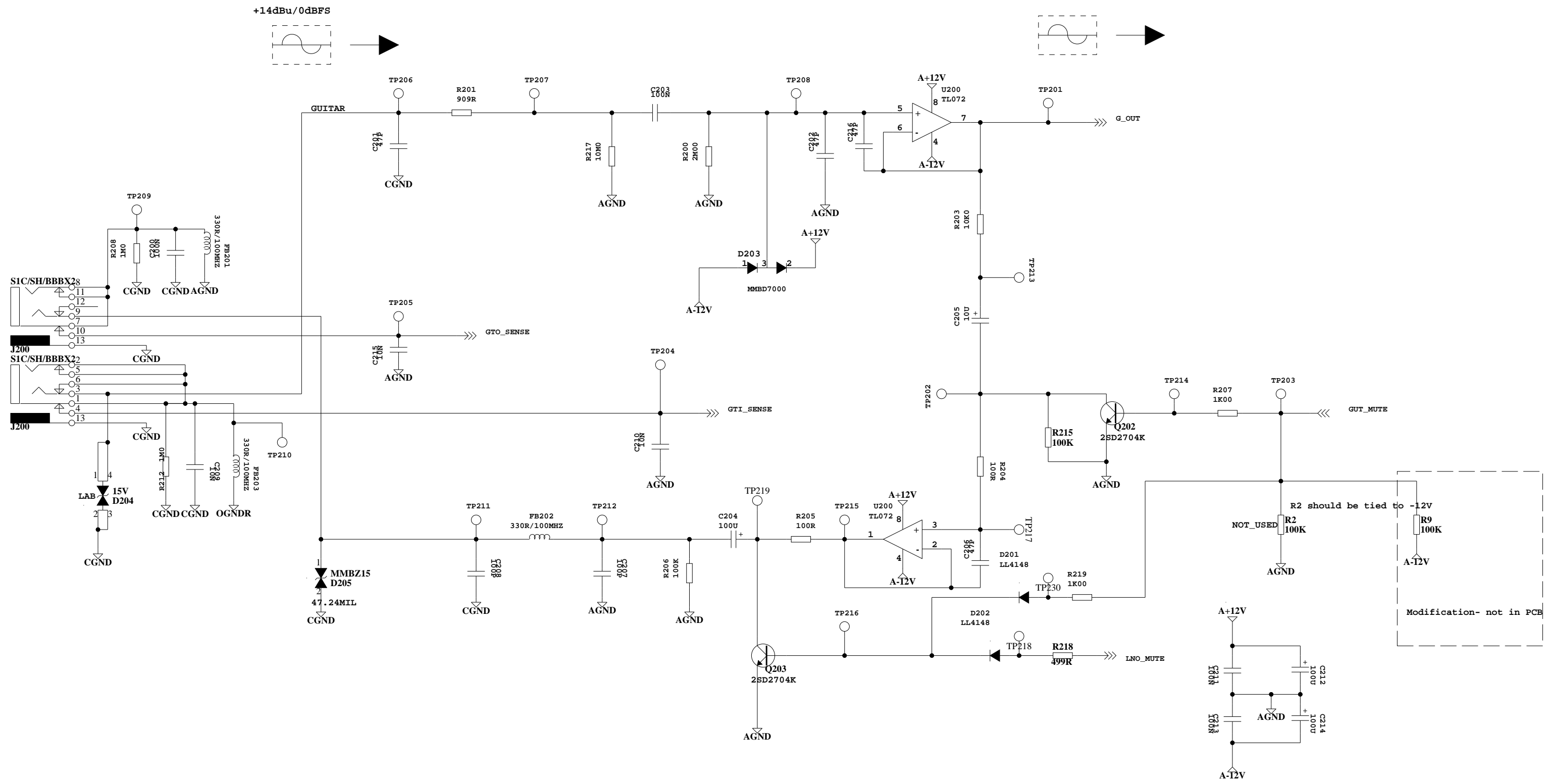
Update

#100

TC Electronic A/S		Designer DKH/GA
Title NARES		Module title ANALOG IO
Number P22631	Revision FAE	Previous page XX
Date 4-8-2008	Filename ANALOG_IN	Page / of 1 / 1

GUITAR INPUT/THRU

+14dBu/0dBFS

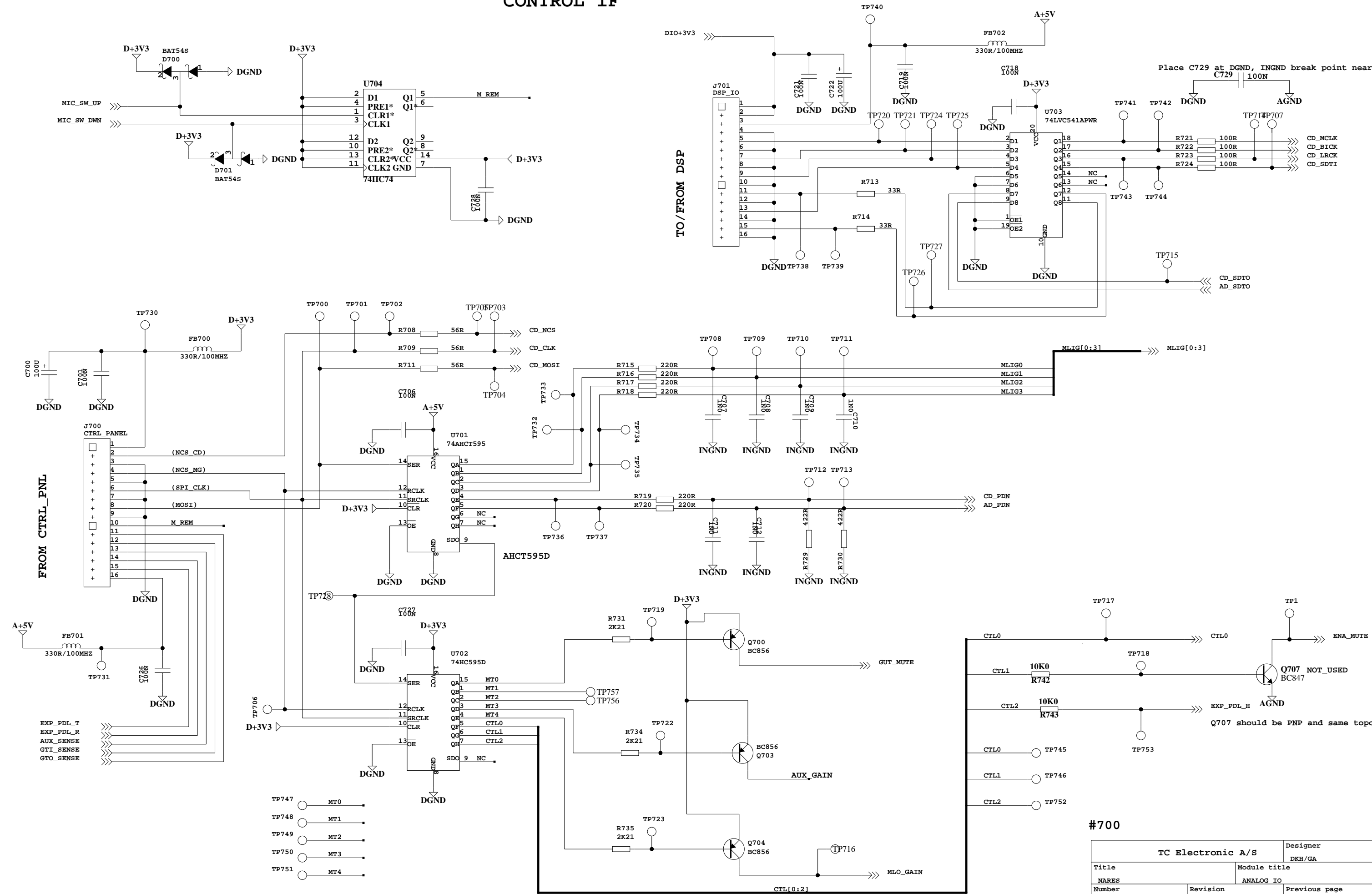


#200

TC Electronic A/S		Designer DKH/GA
Title NARES		Module title ANALOG IO
Number P22631	Revision FAE	Previous page XX
Date 4-8-2008	Filename ANALOG_IN1	Page / of 1 / 1

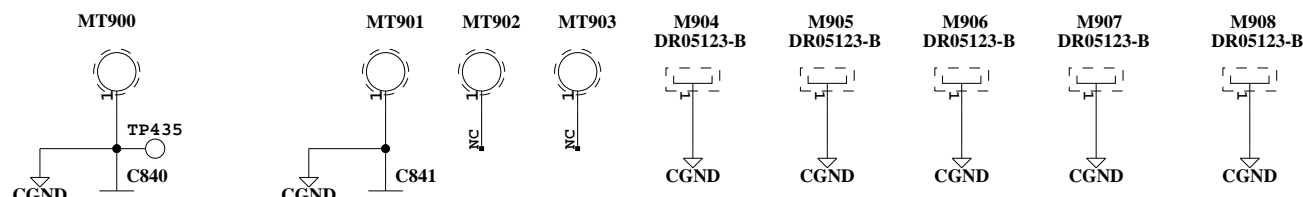
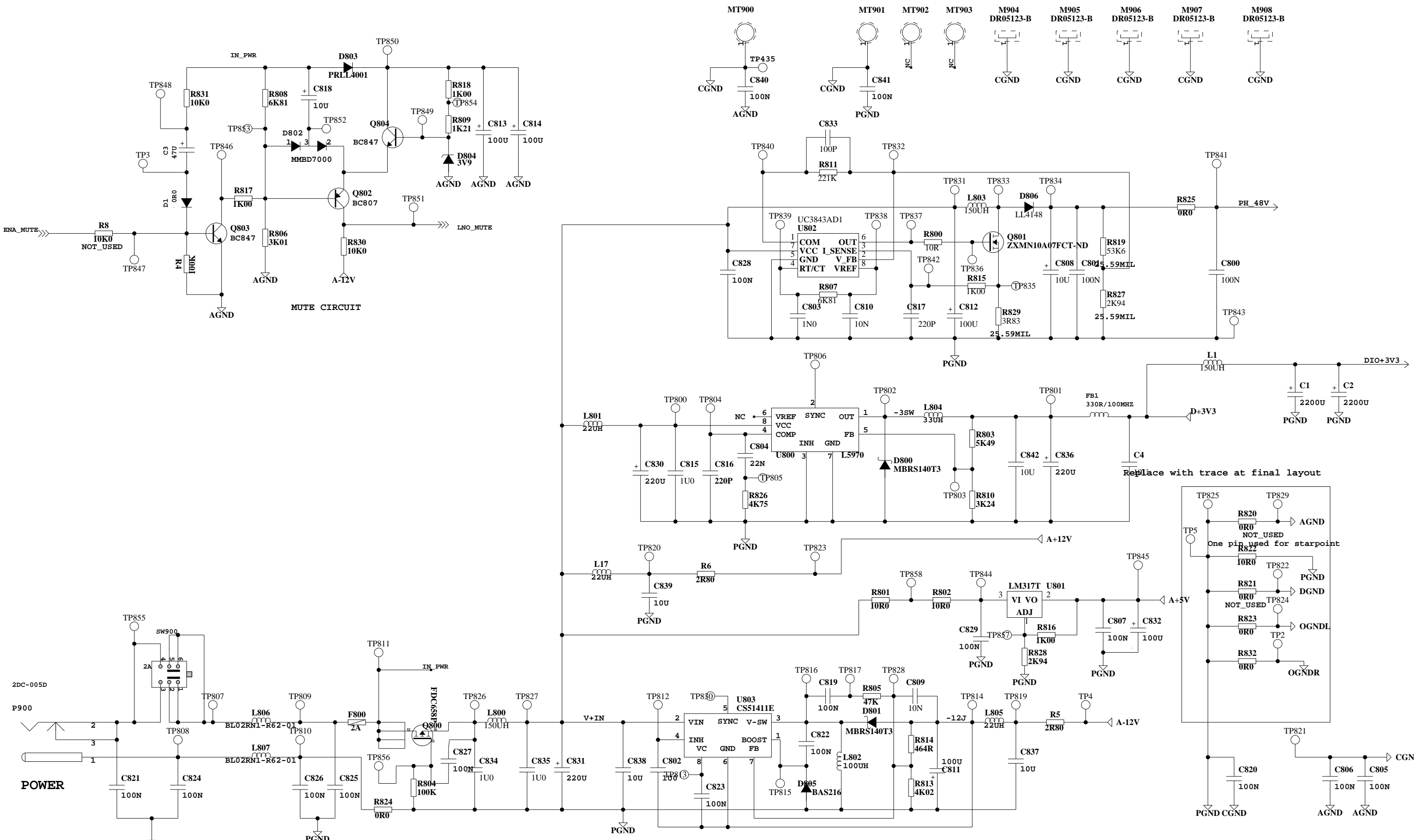
R2 should be tied to -12V
Modification- not in PCB 1

CONTROL IF

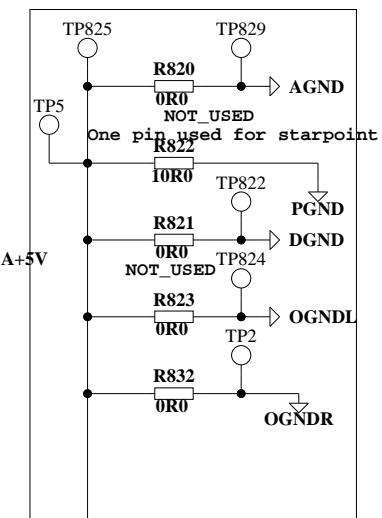


#700

TC Electronic A/S		Designer
NARES		DKH/GA
Title	Module title	
ANALOG IO	ANALOG IO	
Number	Revision	Previous page
P22631	FAE	XX
Date	Filename	Page / of
4-8-2008	CONTROL_IF	1 / 1



Replace with trace at final layout



TC Electronic A/S		Designer DKH/GA
Title NARES	Module title ANALOG IO	
Number P22631	Revision FAE	Previous page XX
Date 3-6-2009 11:58	Filename POWER	Page / of XX / XX