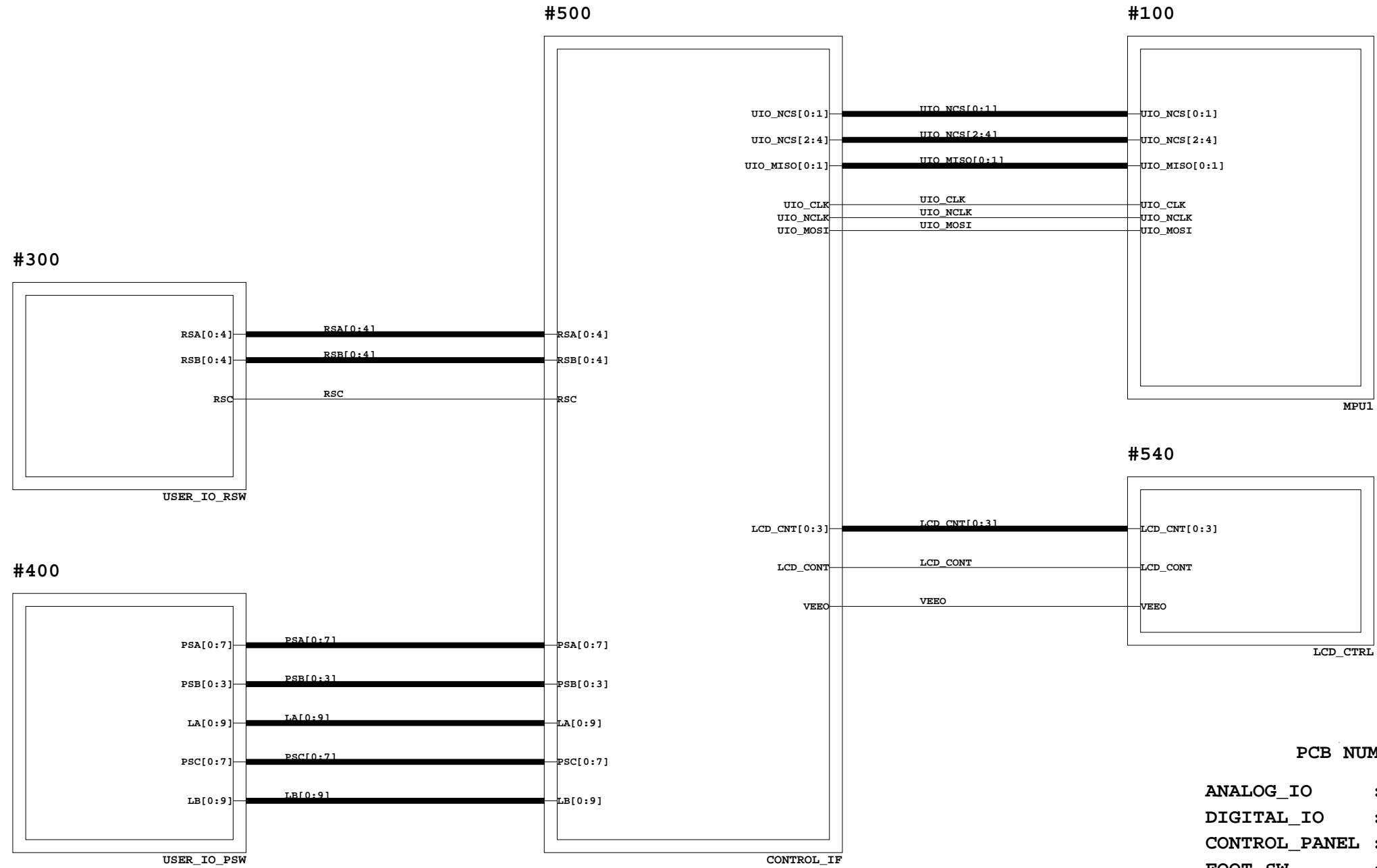


CONTROL PANEL



PCB NUMBER

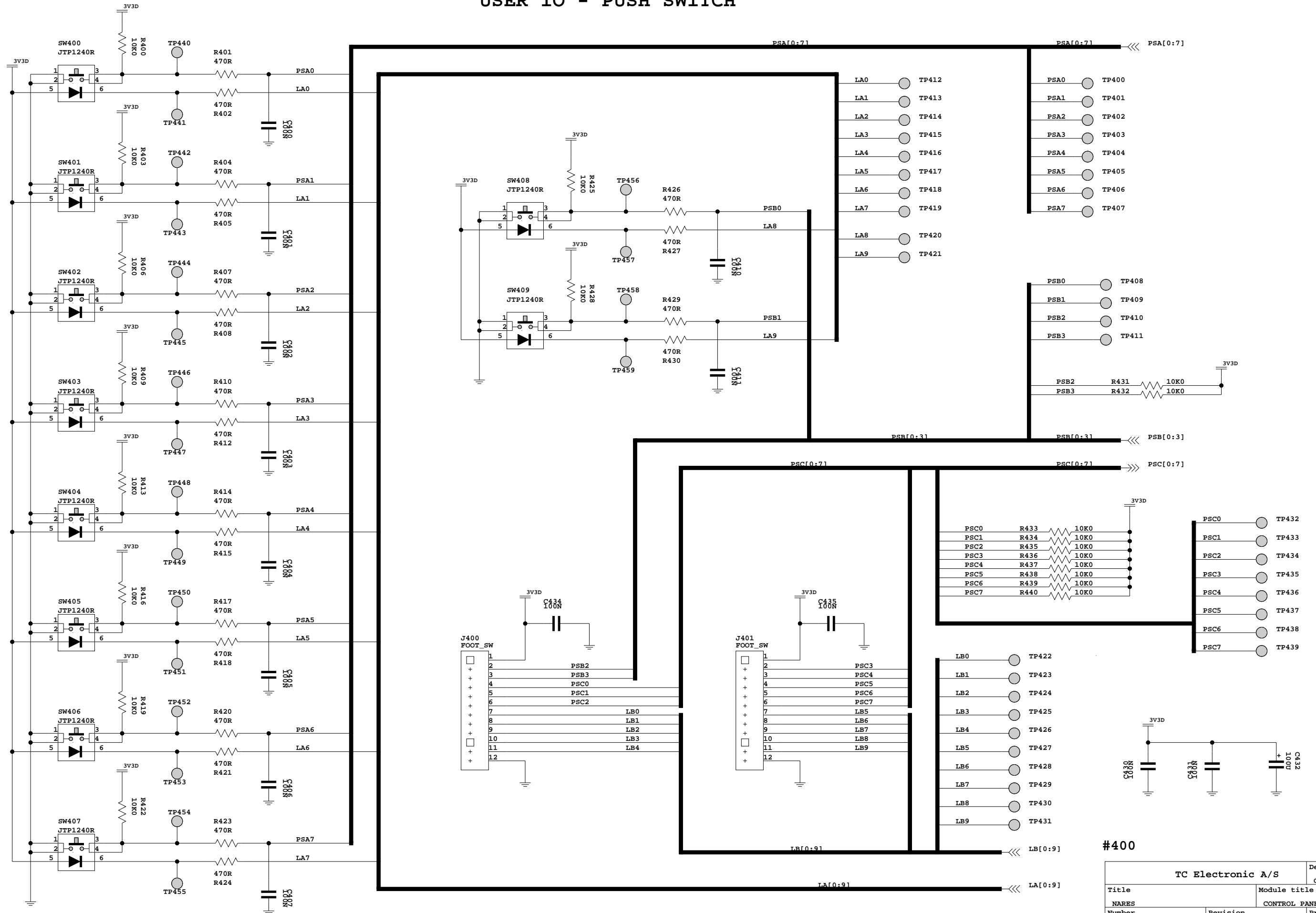
ANALOG_IO : P22631
 DIGITAL_IO : P22617
 CONTROL_PANEL : P22660
 FOOT_SW : P22661

M900

P22660-C

TC Electronic A/S		Designer GA/DKH
Title NARES		Module title CONTROL_PANEL
Number P22660	Revision CAE	Previous page XX
Date 4-8-2008	Filename P22660-C	Page / of 1 / 1

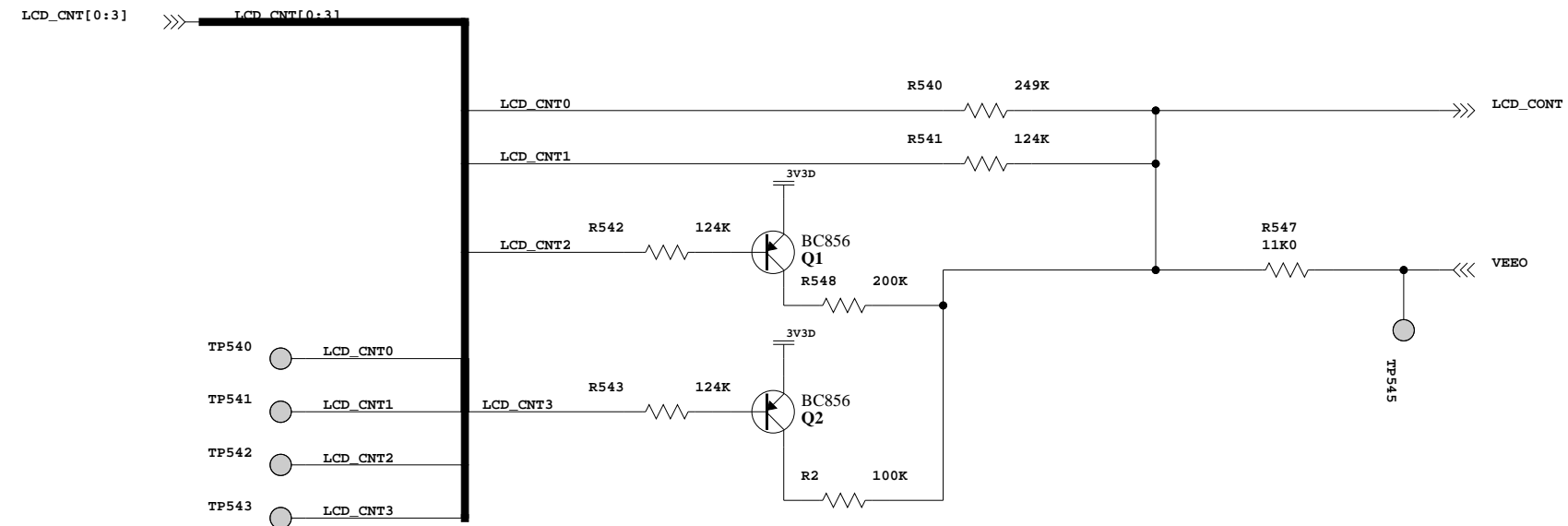
USER IO - PUSH SWITCH



#400

TC Electronic A/S		Designer GA/DKH
Title NARES		Module title CONTROL PANEL
Number P22660	Revision CAE	Previous page XX
Date 4-8-2008	Filename USER_IO_PSW	Page / of 1 / 1

LCD CONTRAST CONTROL

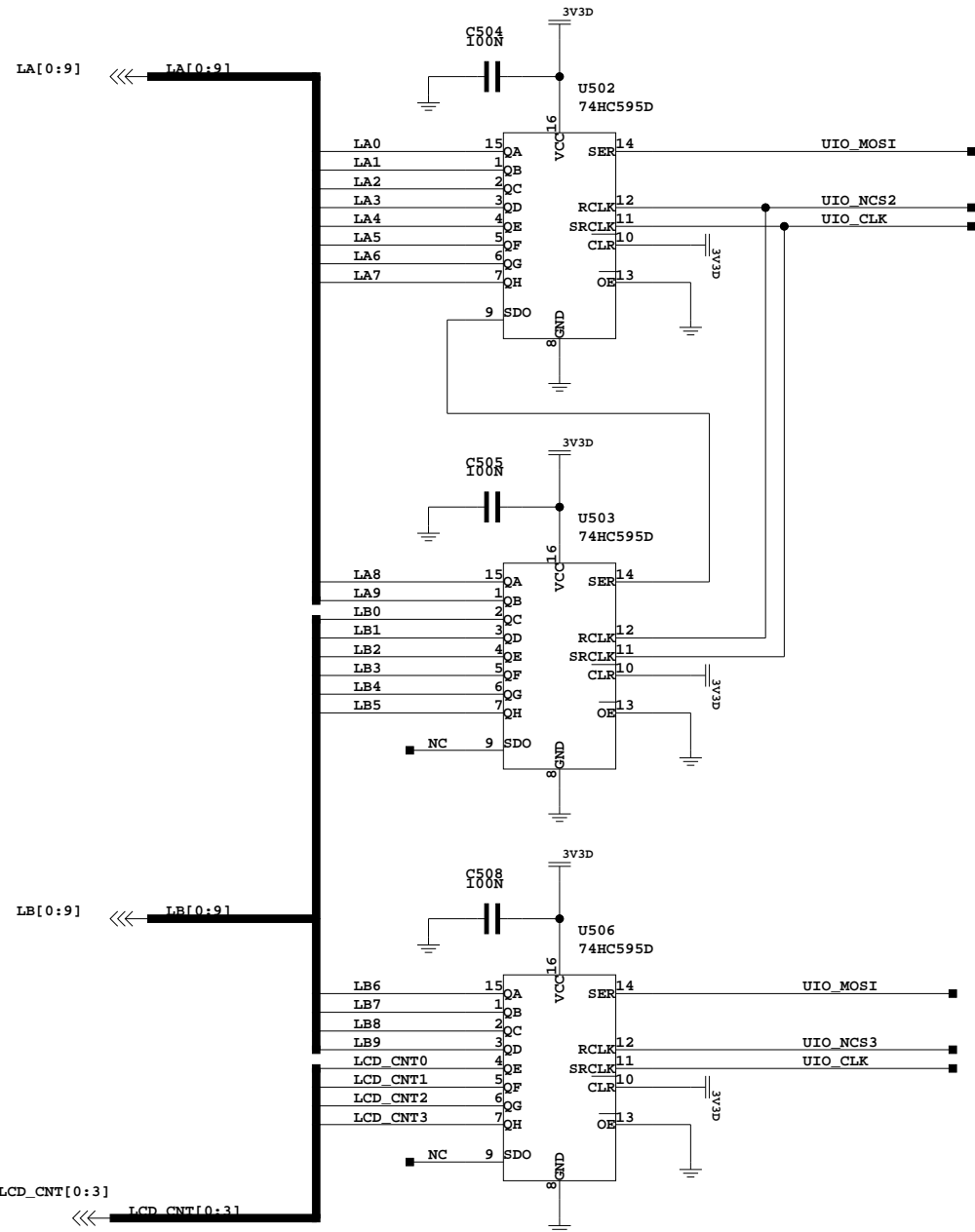


#540

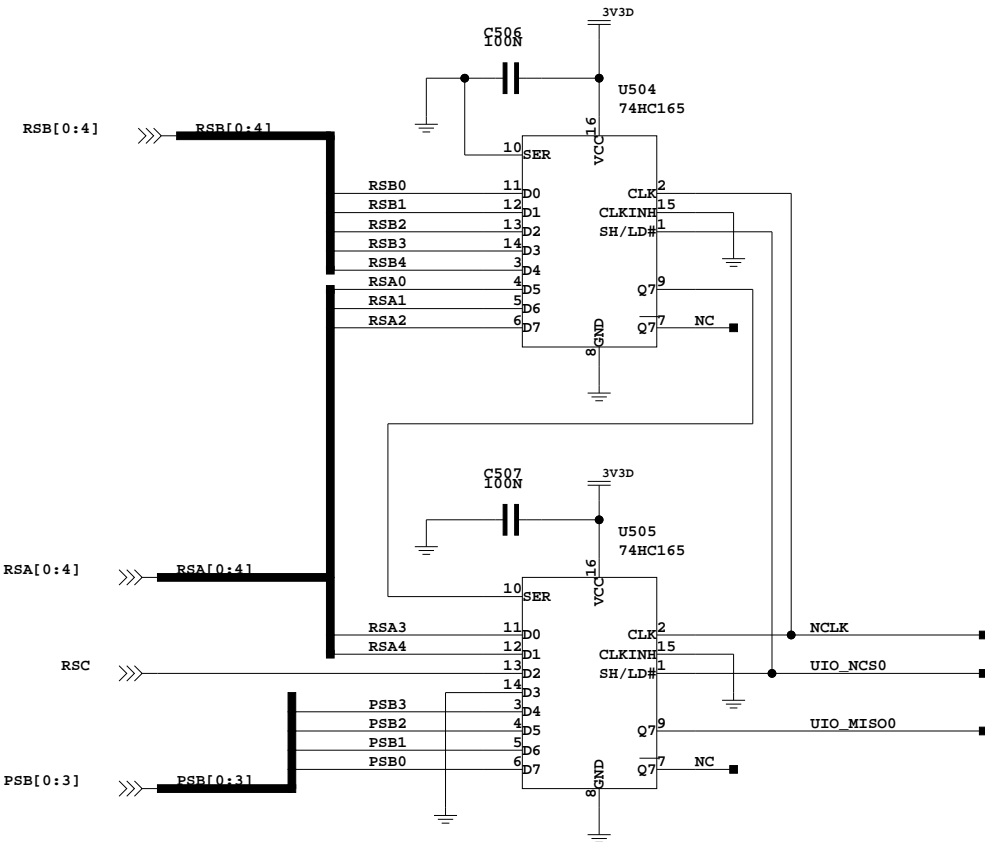
TC Electronic A/S		Designer GA/DKH
Title NARES		Module title CONTROL PANEL
Number P22660	Revision CAE	Previous page XX
Date 4-8-2008	Filename LCD_CTRL	Page / of 1 / 1

CONTROL IF

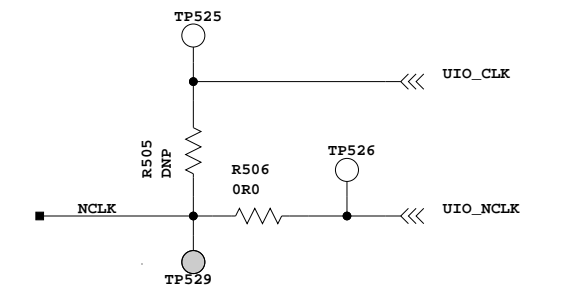
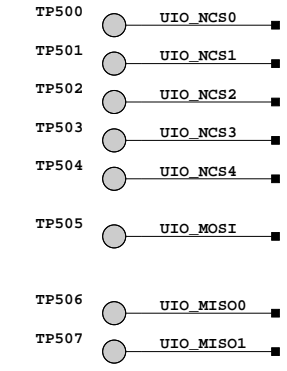
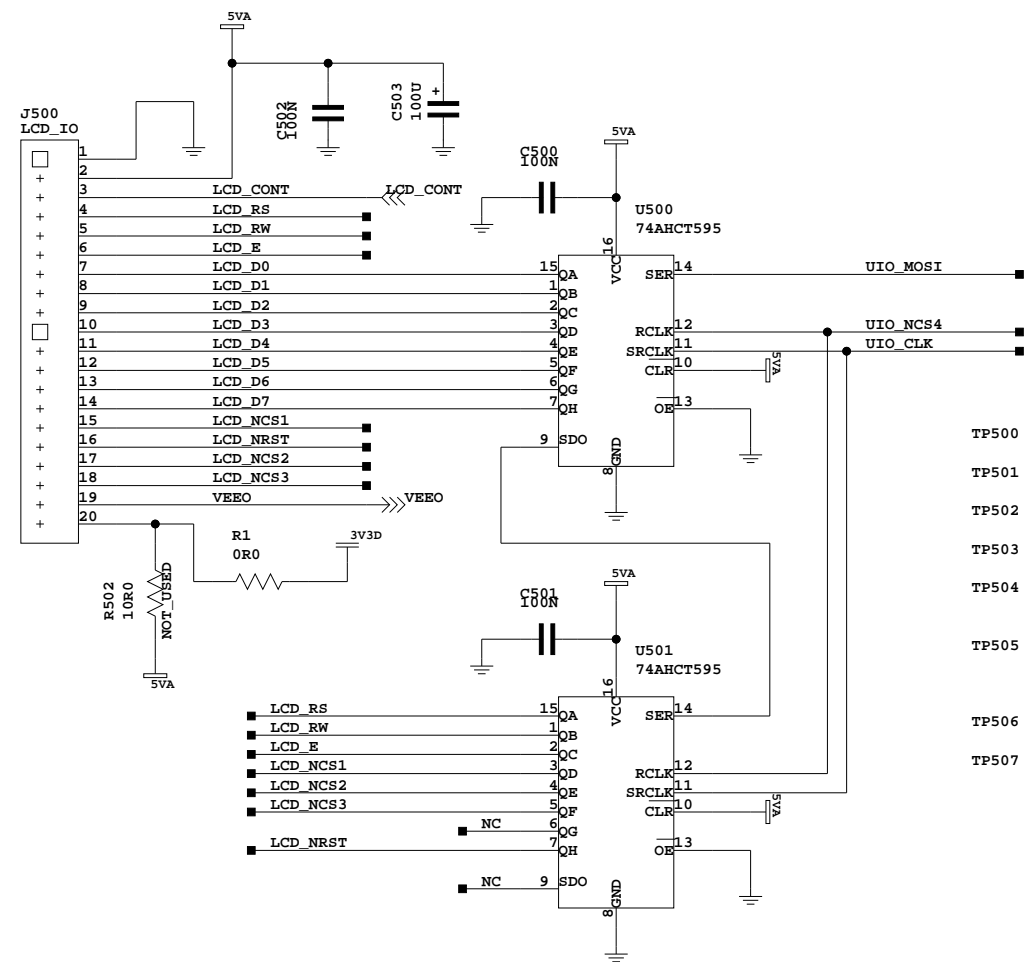
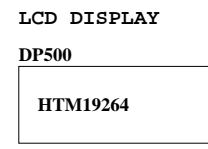
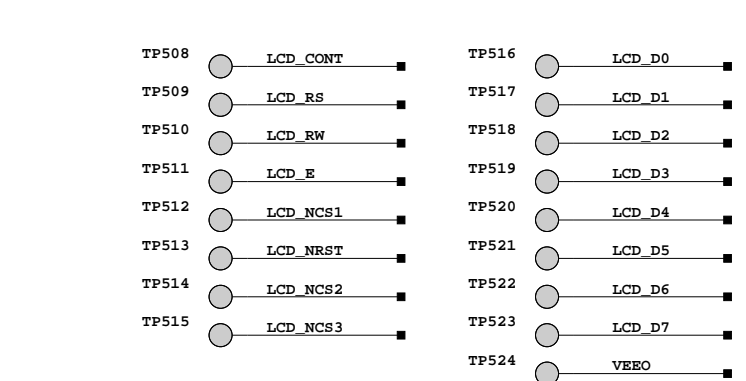
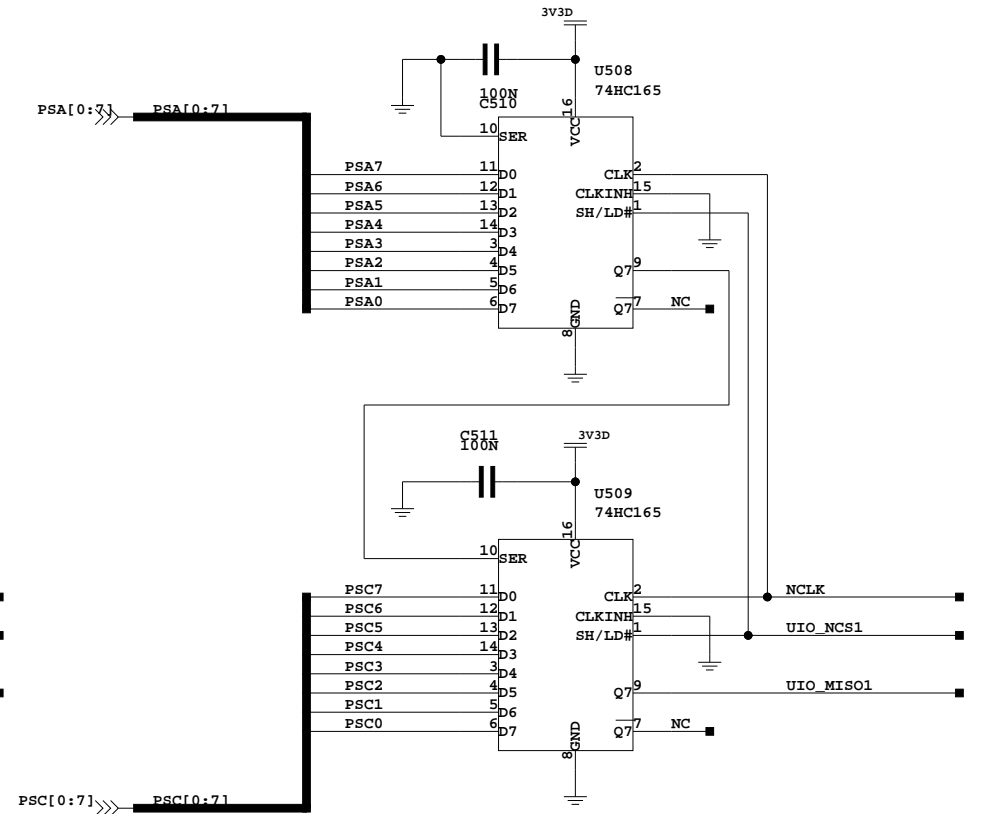
LED



ROTARY-ENC



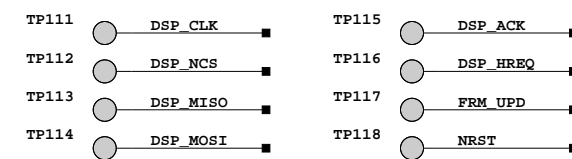
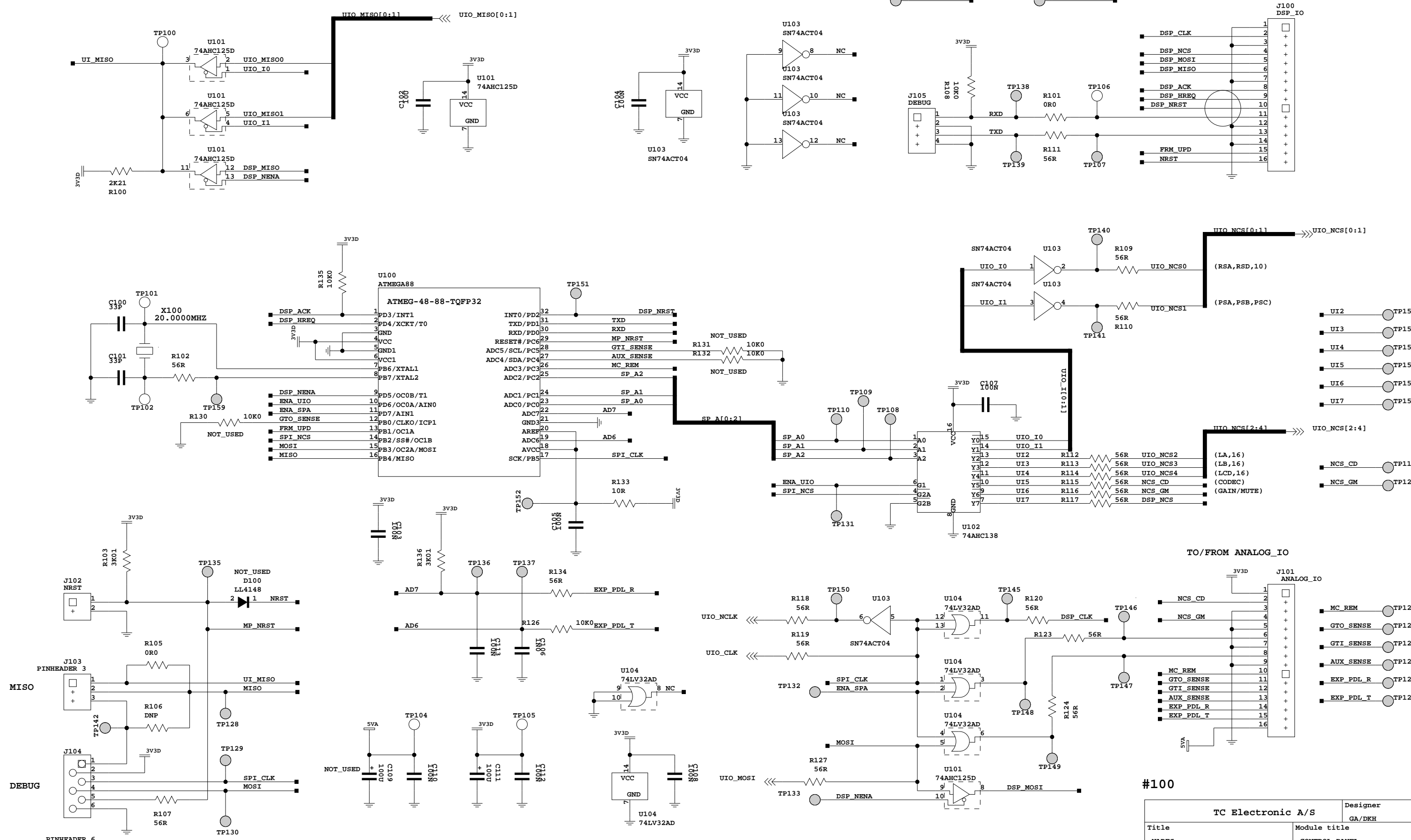
PUSH-SW



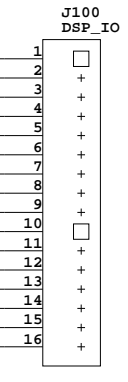
#500

TC Electronic A/S		Designer GA/DKH
Title NARES		Module title CONTROL PANEL
Number P22660	Revision CAE	Previous page XX
Date 4-8-2008	Filename CONTROL_IF	Page / of 1 / 1

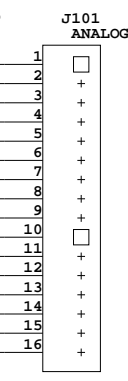
MPU



TO/FROM DSP



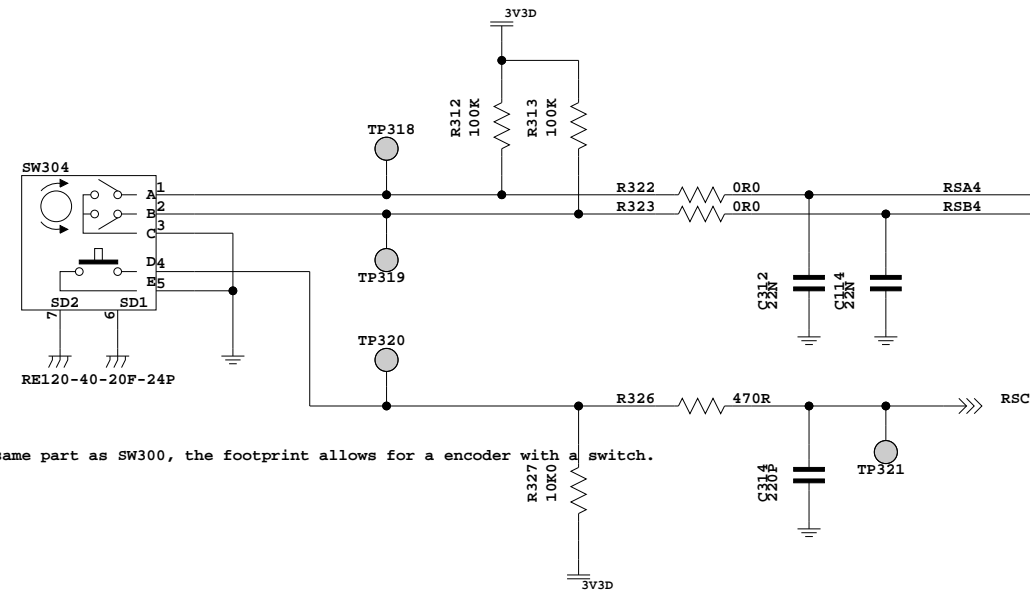
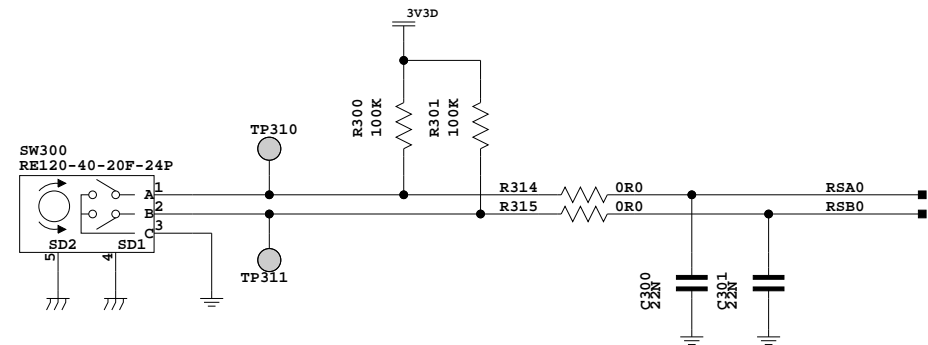
TO/FROM ANALOG_IO



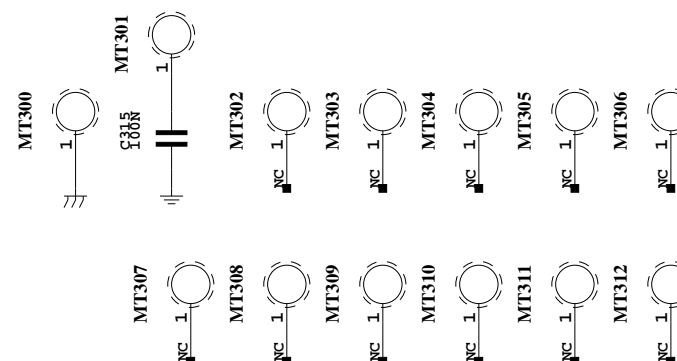
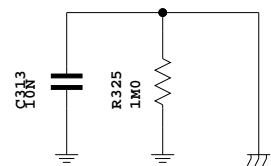
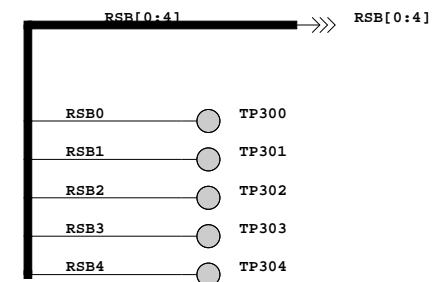
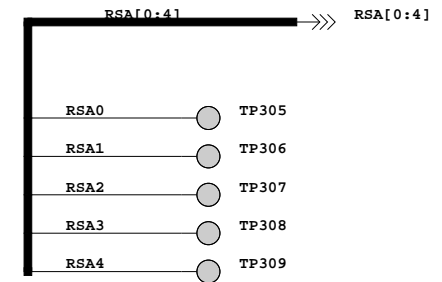
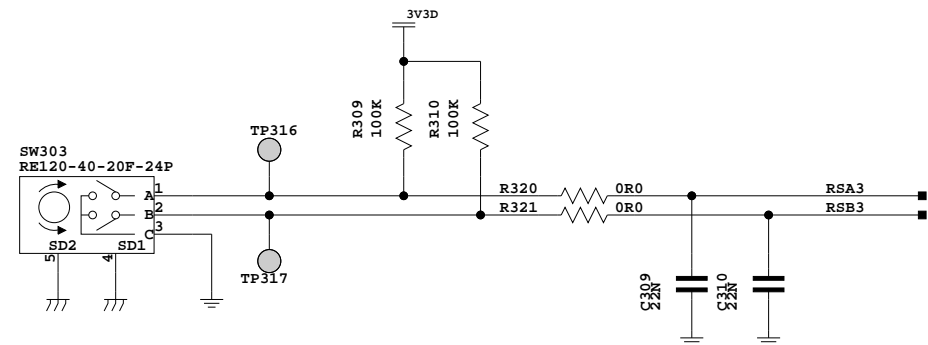
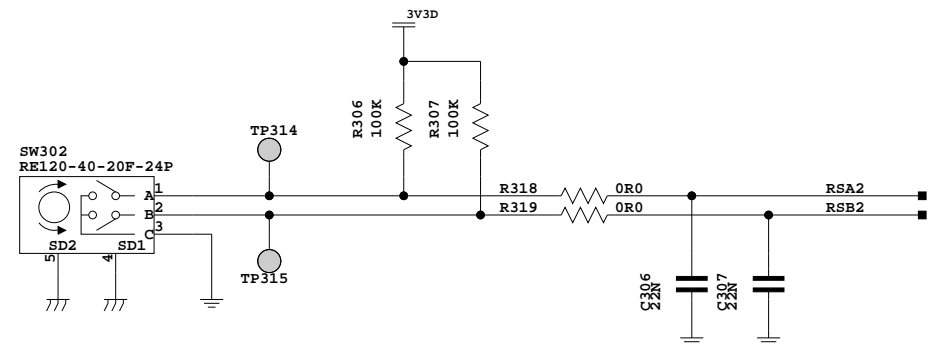
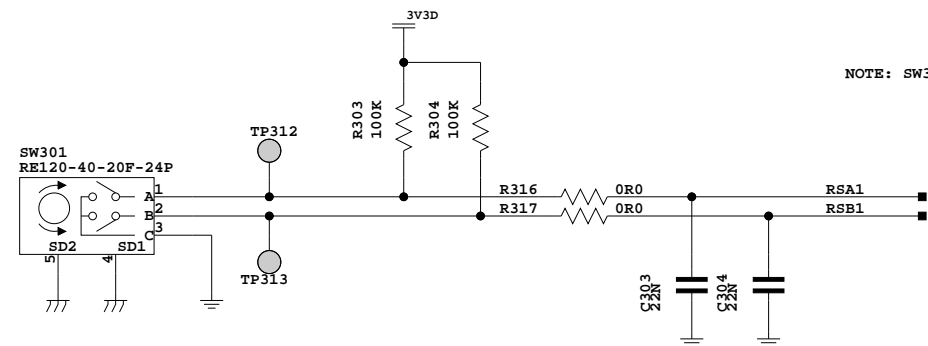
#100

TC Electronic A/S		Designer GA/DKH
Title NARES		Module title CONTROL PANEL
Number P22660	Revision CAE	Previous page XX
Date 4-8-2008	Filename MPU1	Page / of 1 / 1

USER IO - ROTARY SWITCH



NOTE: SW304 is the same part as SW300, the footprint allows for a encoder with a switch.



#300

TC Electronic A/S		Designer GA/DKH
Title NARES		Module title CONTROL PANEL
Number P22660	Revision CAE	Previous page XX
Date 4-8-2008	Filename USER_IO_RSW	Page / of 1 / 1