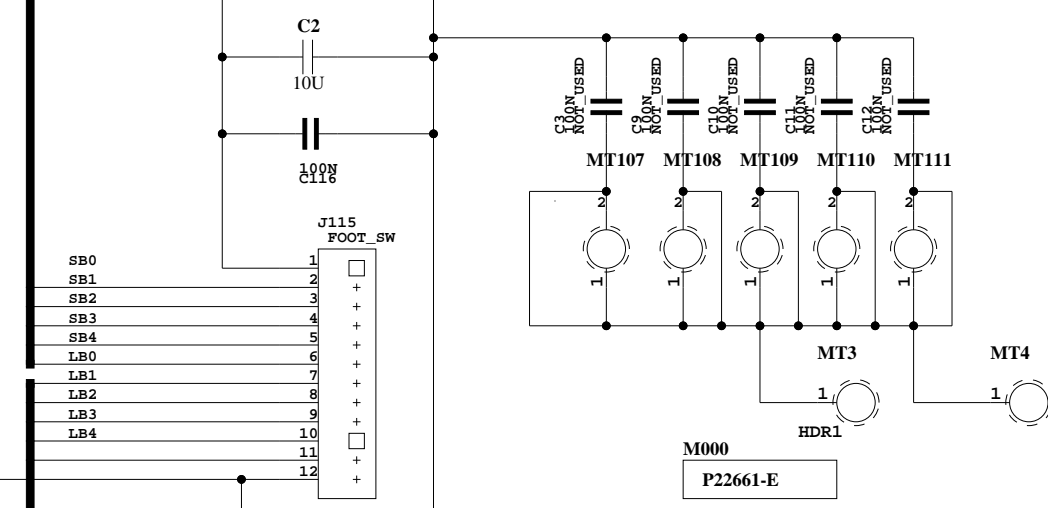
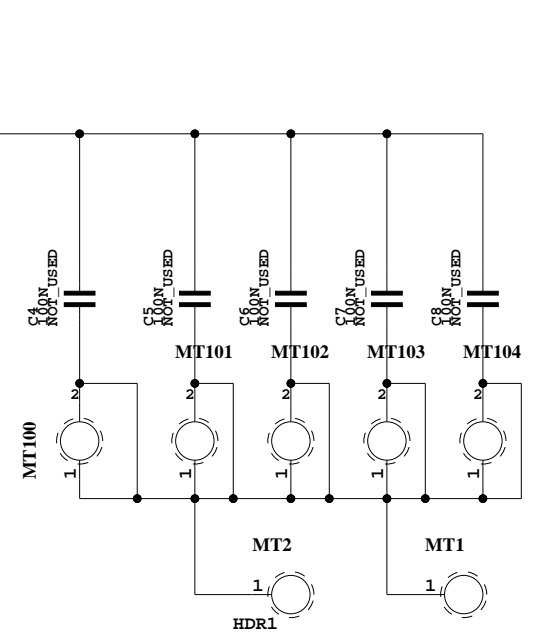
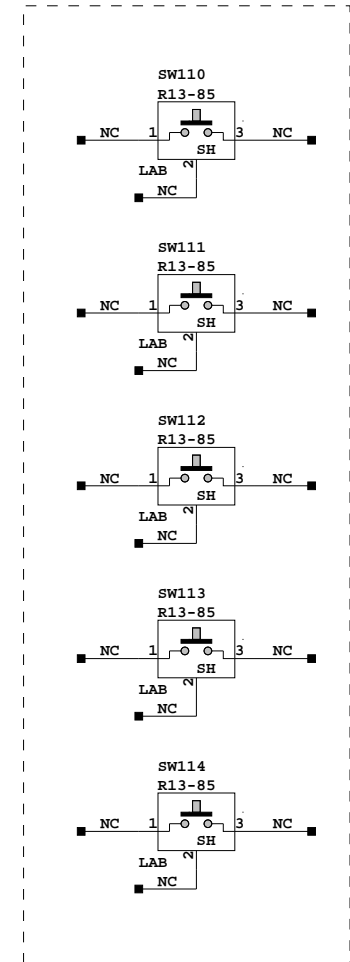
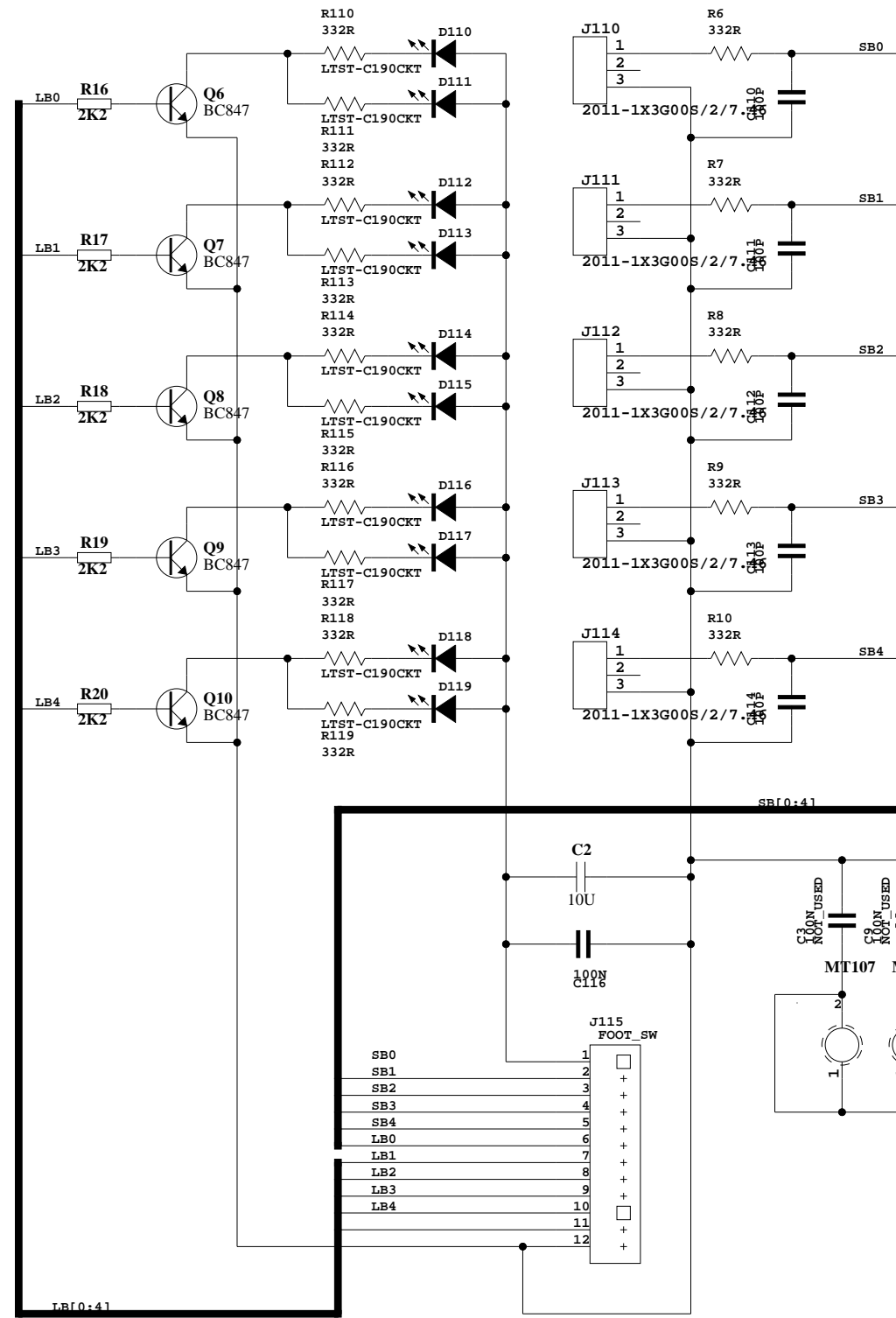
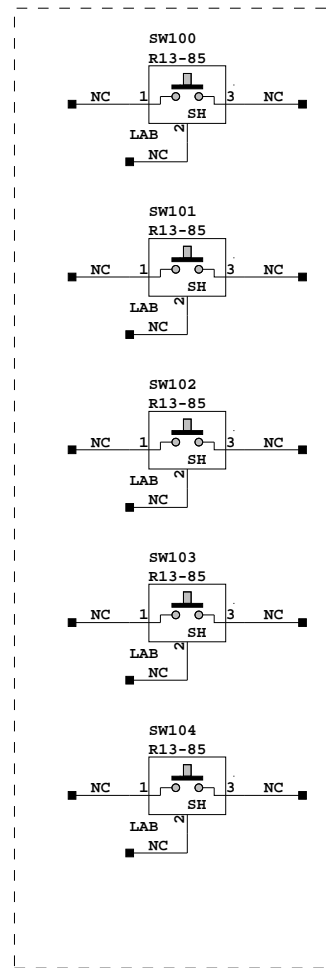
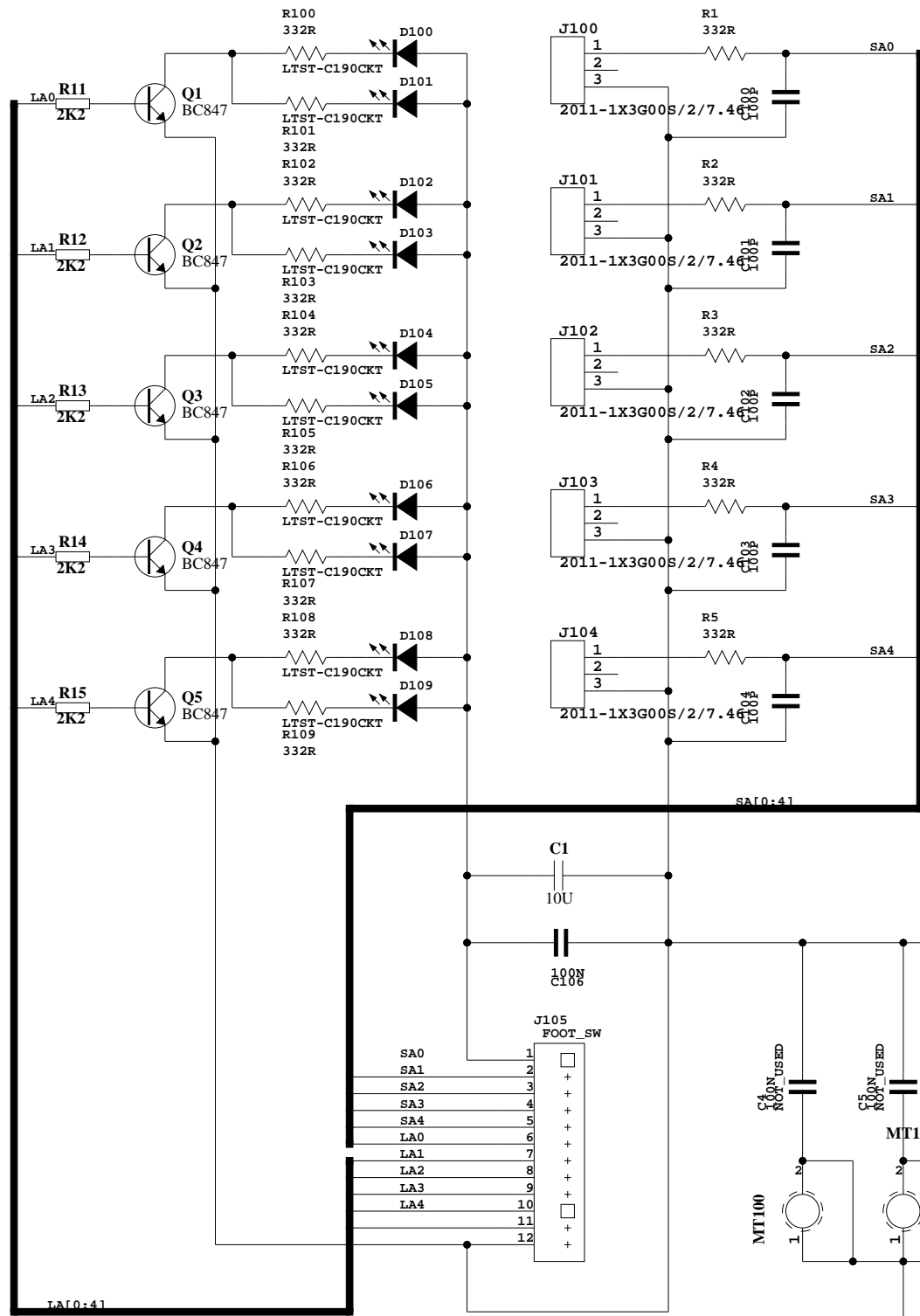


FOOT SWITCH

GROUP-A

Switches are included in Mechanical BOM

GROUP-B



#100

TC Electronic A/S		Designer GA/DKH
Title NARES		Module title FOOTSWITCH BOARD
Number P22661_E	Revision EAA	Previous page XX
Date 4-8-2008	Filename P22661-E	Page / of 1 / 1