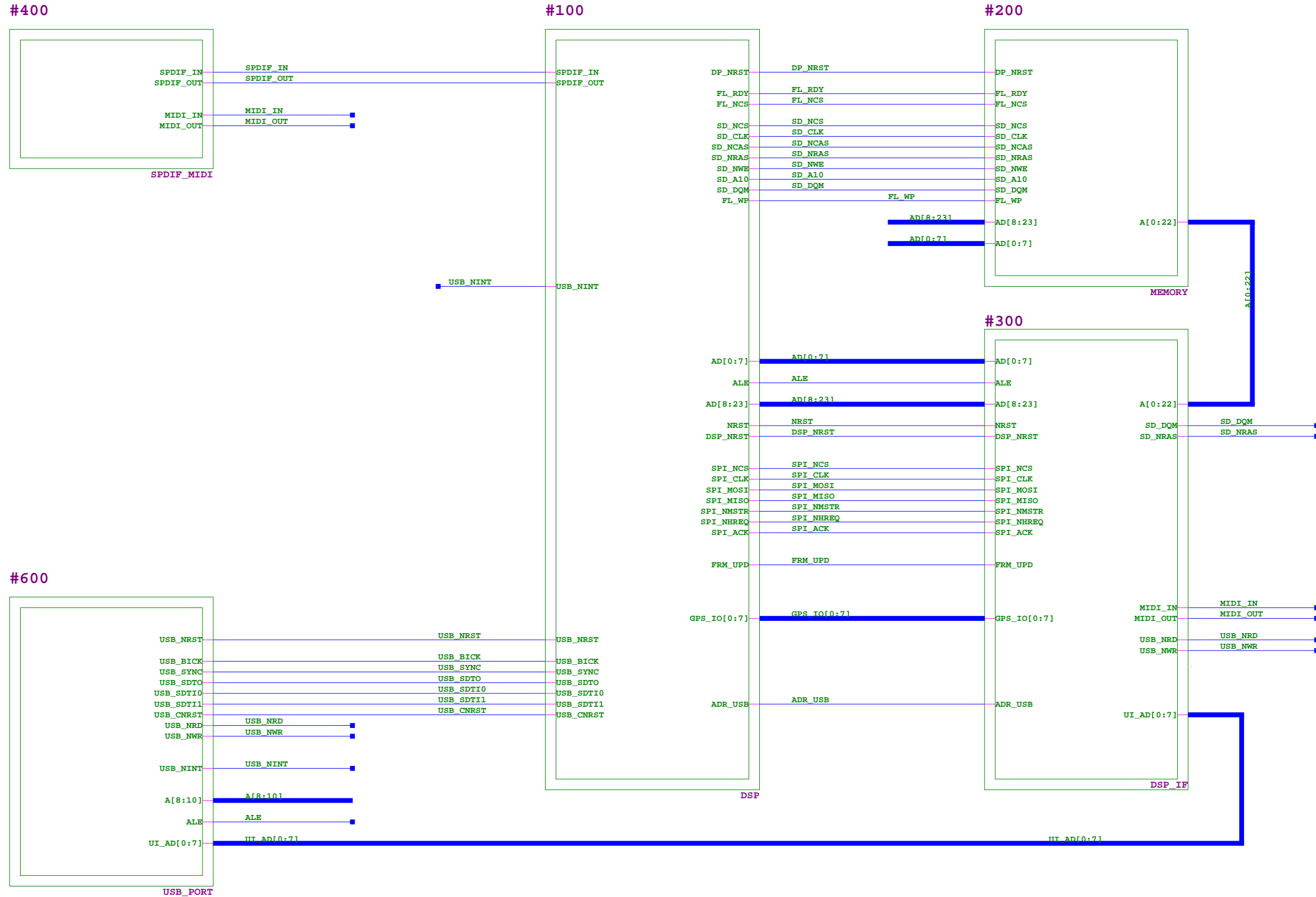


DIGITAL IO

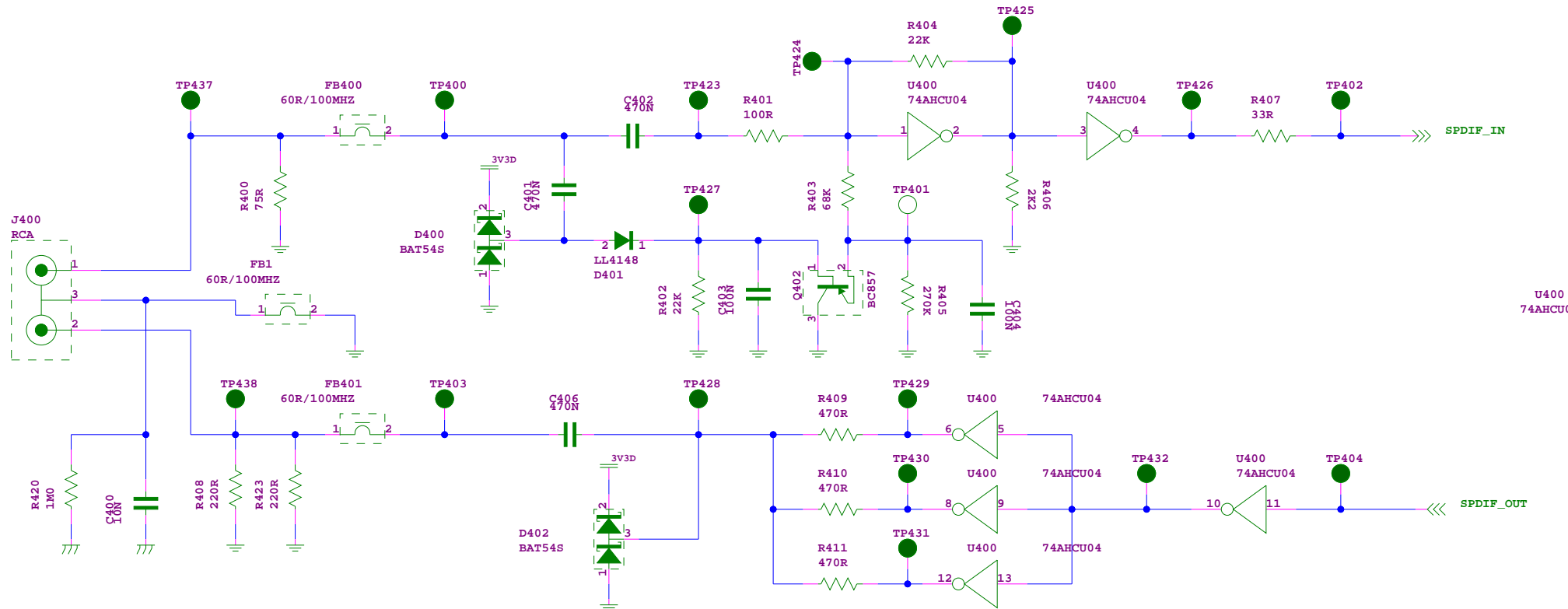


M100
P22617-E

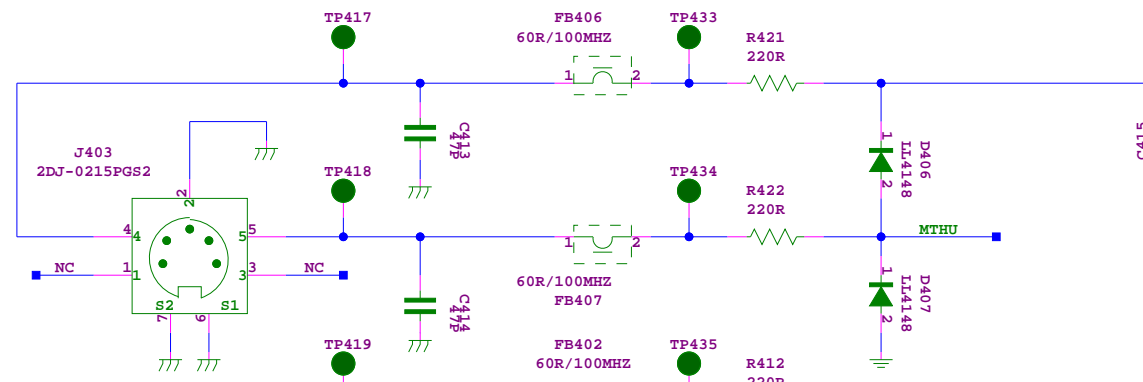
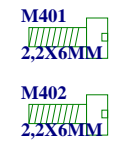
TC Electronic A/S		Designer DKH/GA
Title NARES		Module title DIGITAL IO
Number P22617	Revision ECB	Previous page XX
Date 4-8-2008	Filename P22617-E	Page / of 1 / 1

SPDIF / MIDI IO

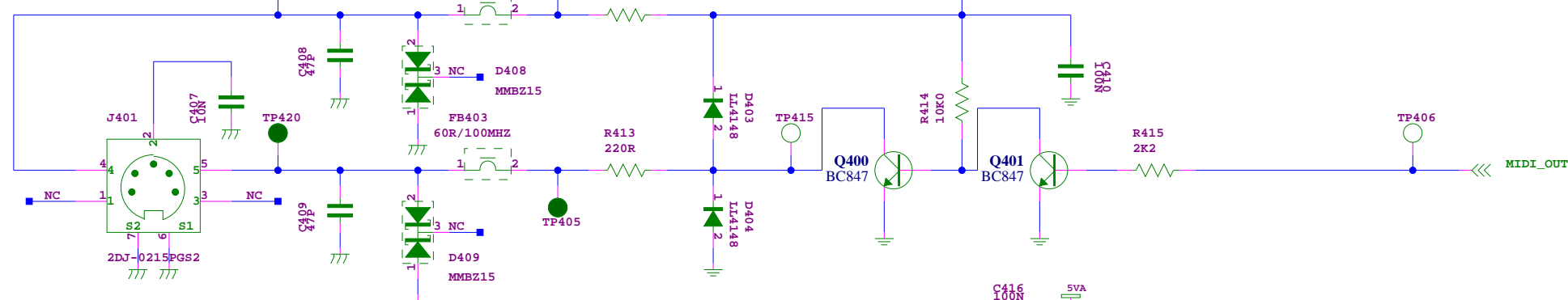
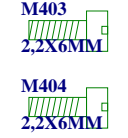
SPDIF I/O



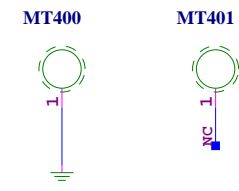
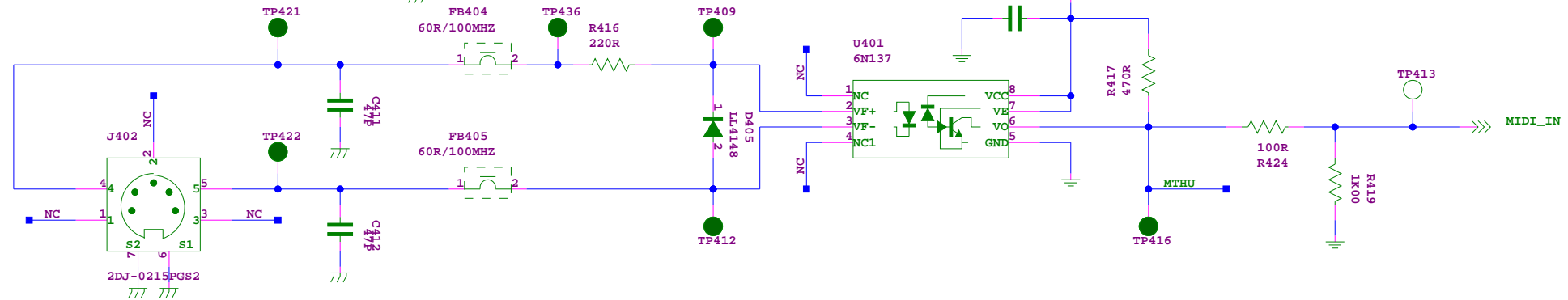
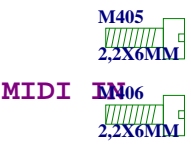
MIDI THRU



MIDI OUT



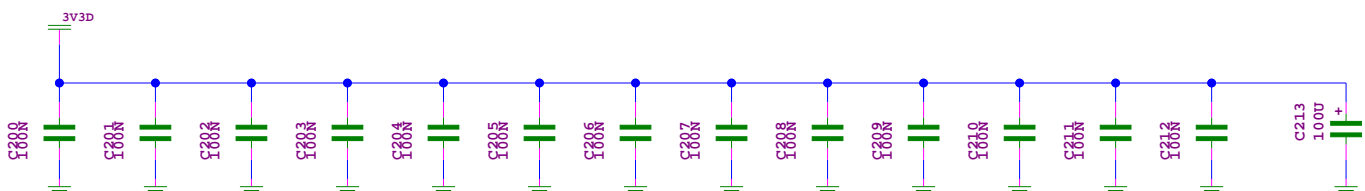
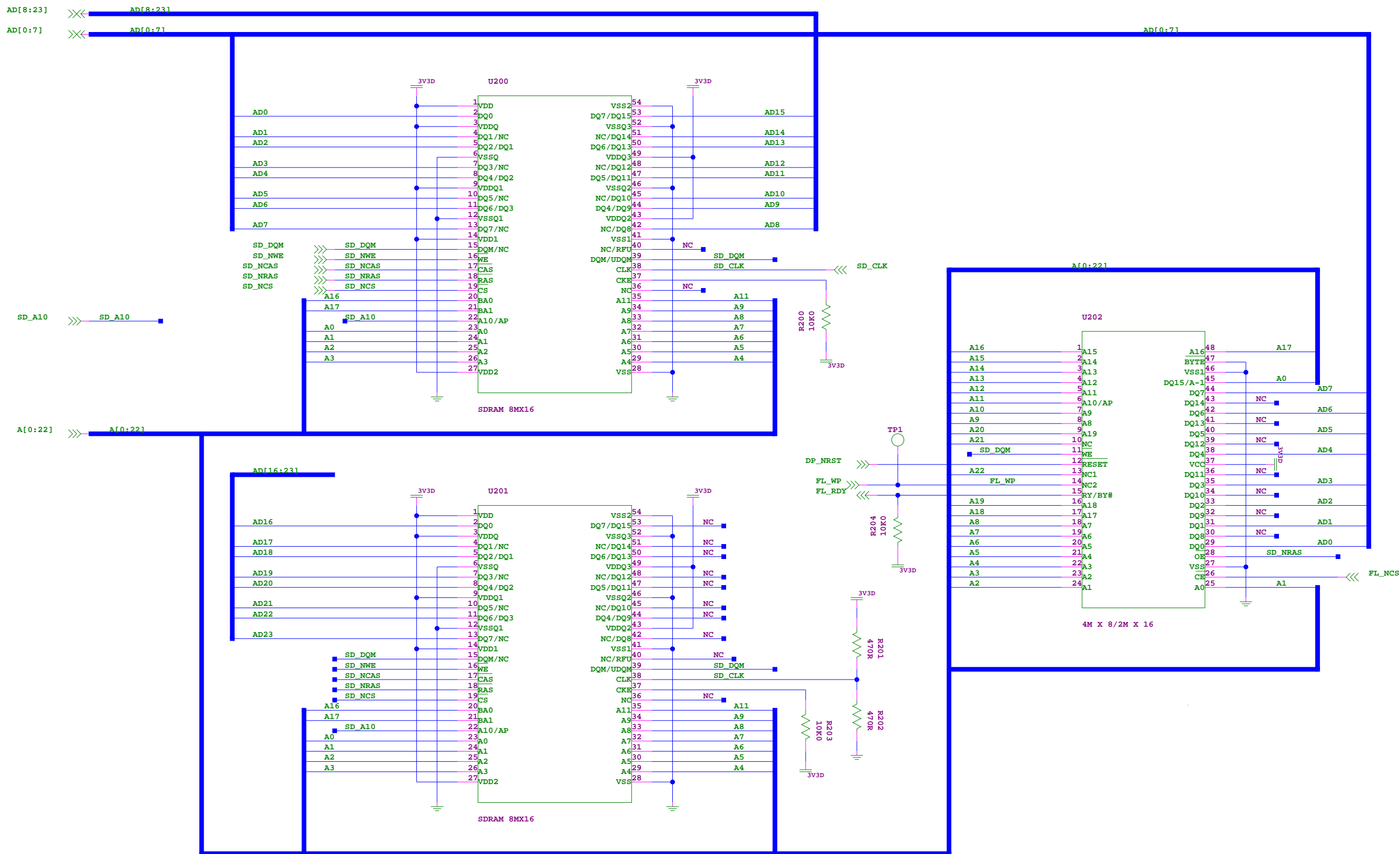
MIDI IN



#400

TC Electronic A/S		Designer DKH/GA
Title NARES		Module title DIGITAL IO
Number P22617	Revision ECB	Previous page XX
Date 4-8-2008	Filename SPDIF_MIDI	Page / of 1 / 1

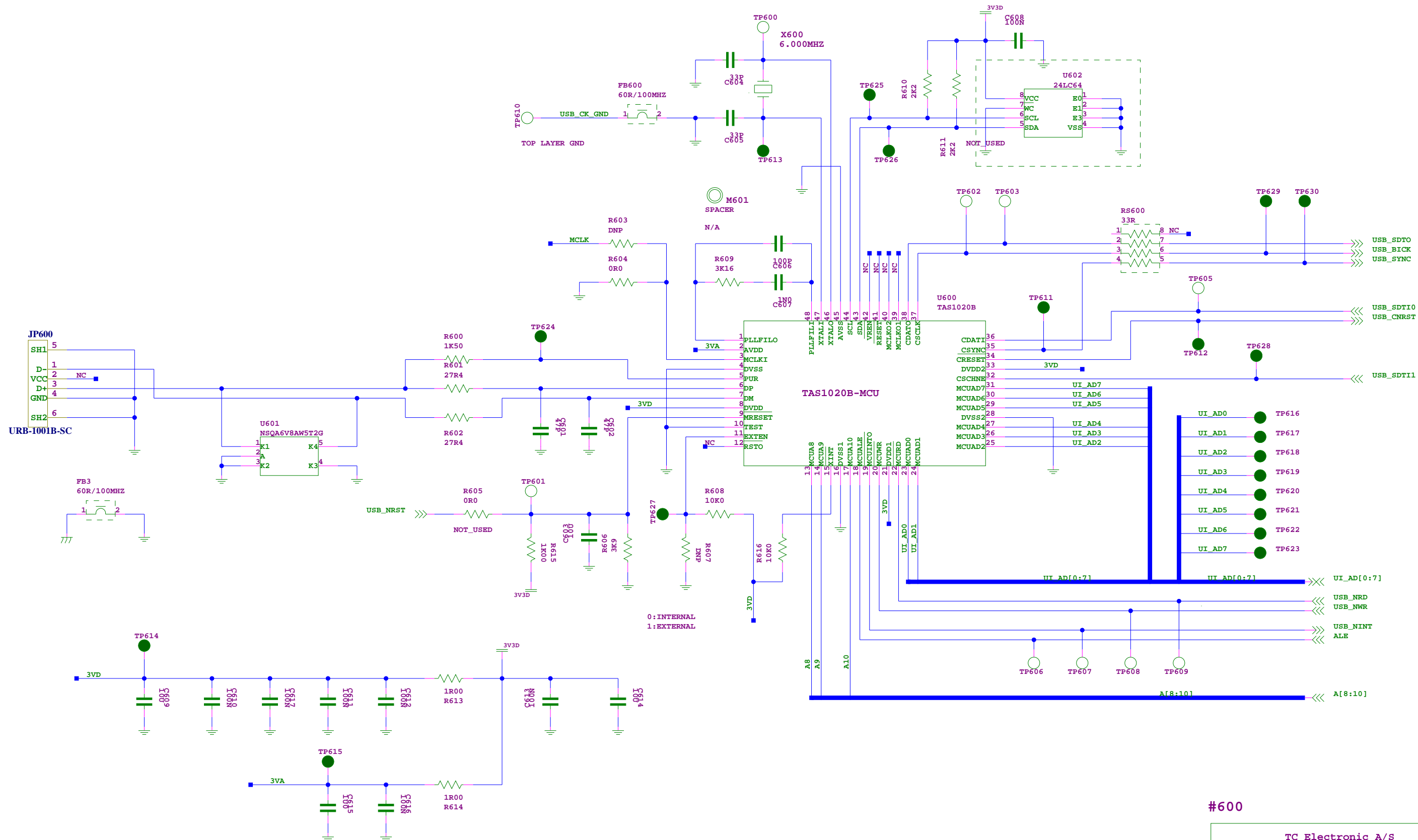
MEMORY



#200

TC Electronic A/S		Designer DKH/GA
Title NARES		Module title DIGITAL IO
Number P22617	Revision ECB	Previous page XX
Date 4-8-2008	Filename MEMORY	Page / of 1 / 1

USB PORT

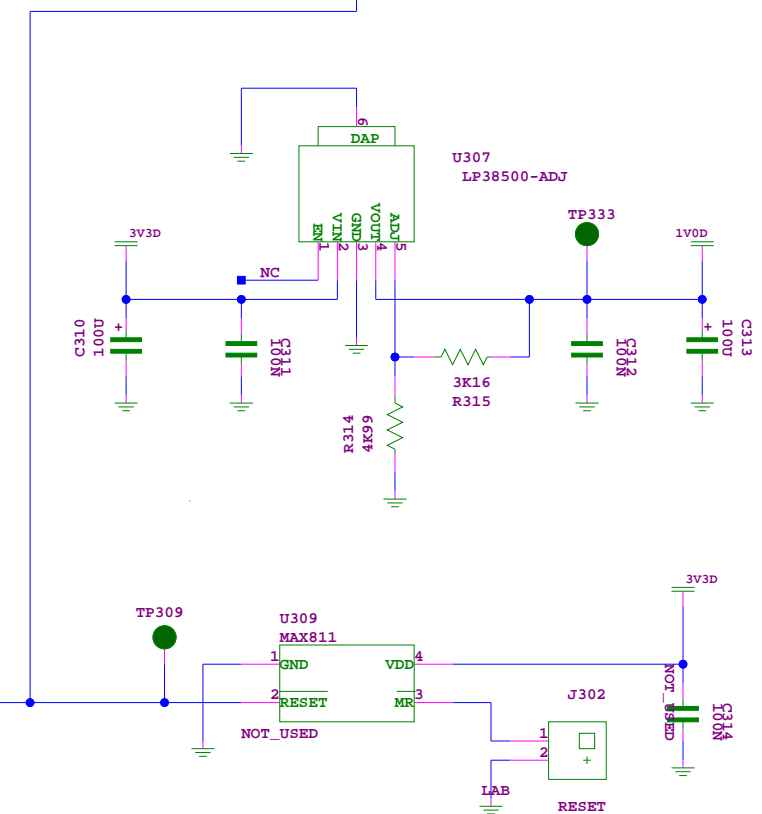
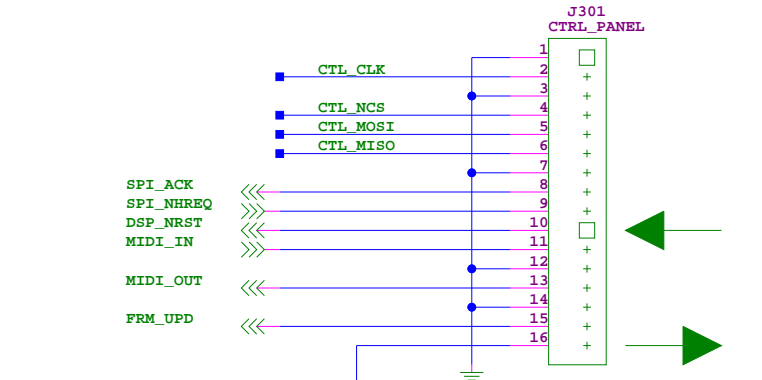
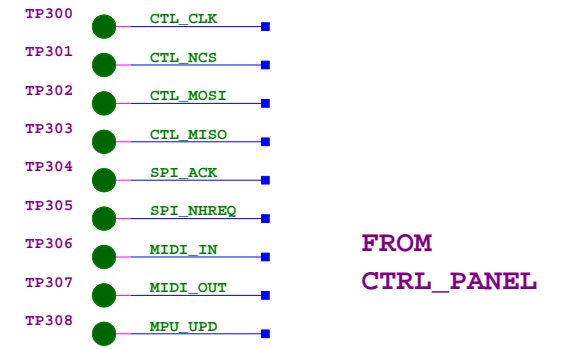
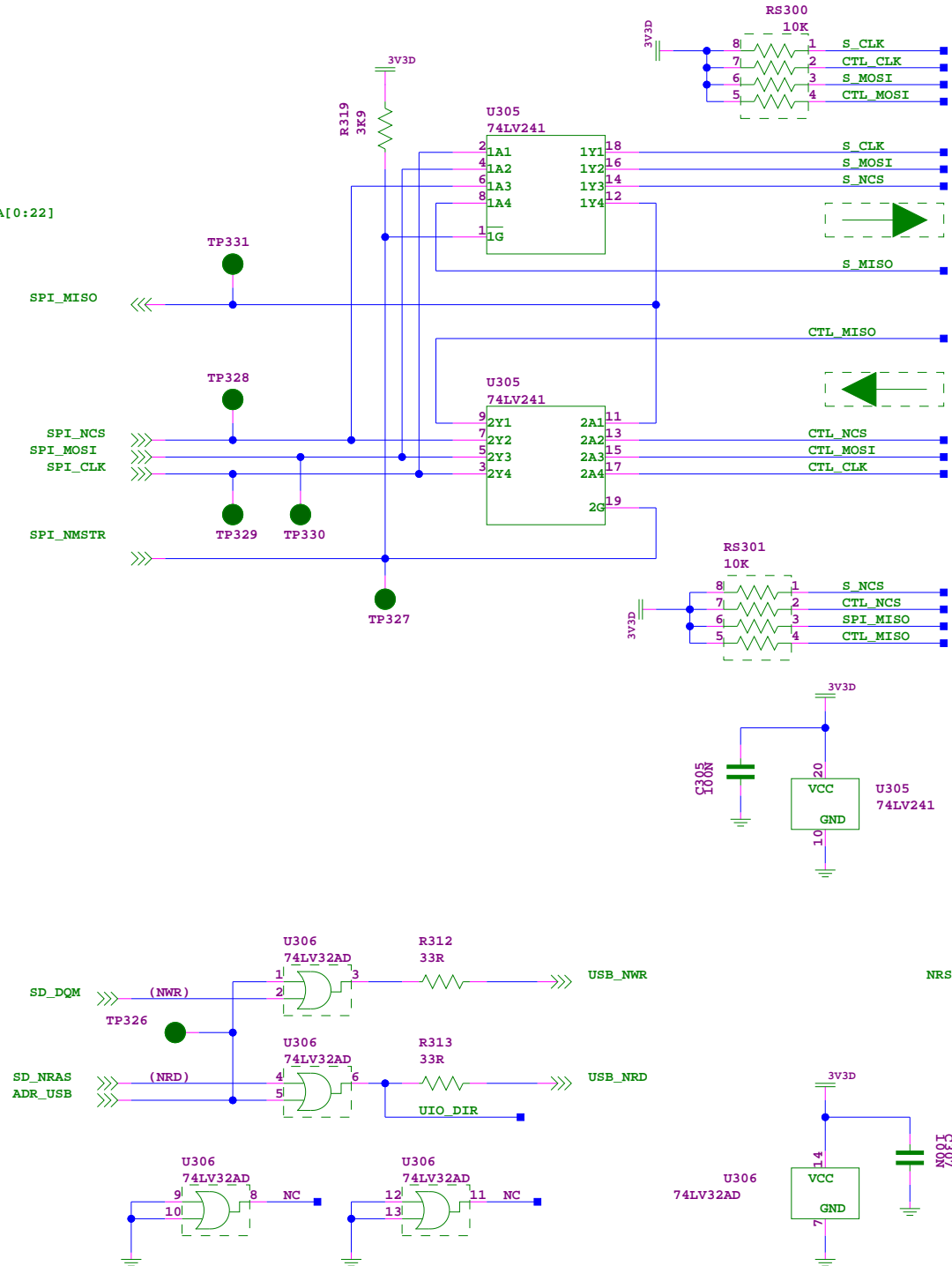
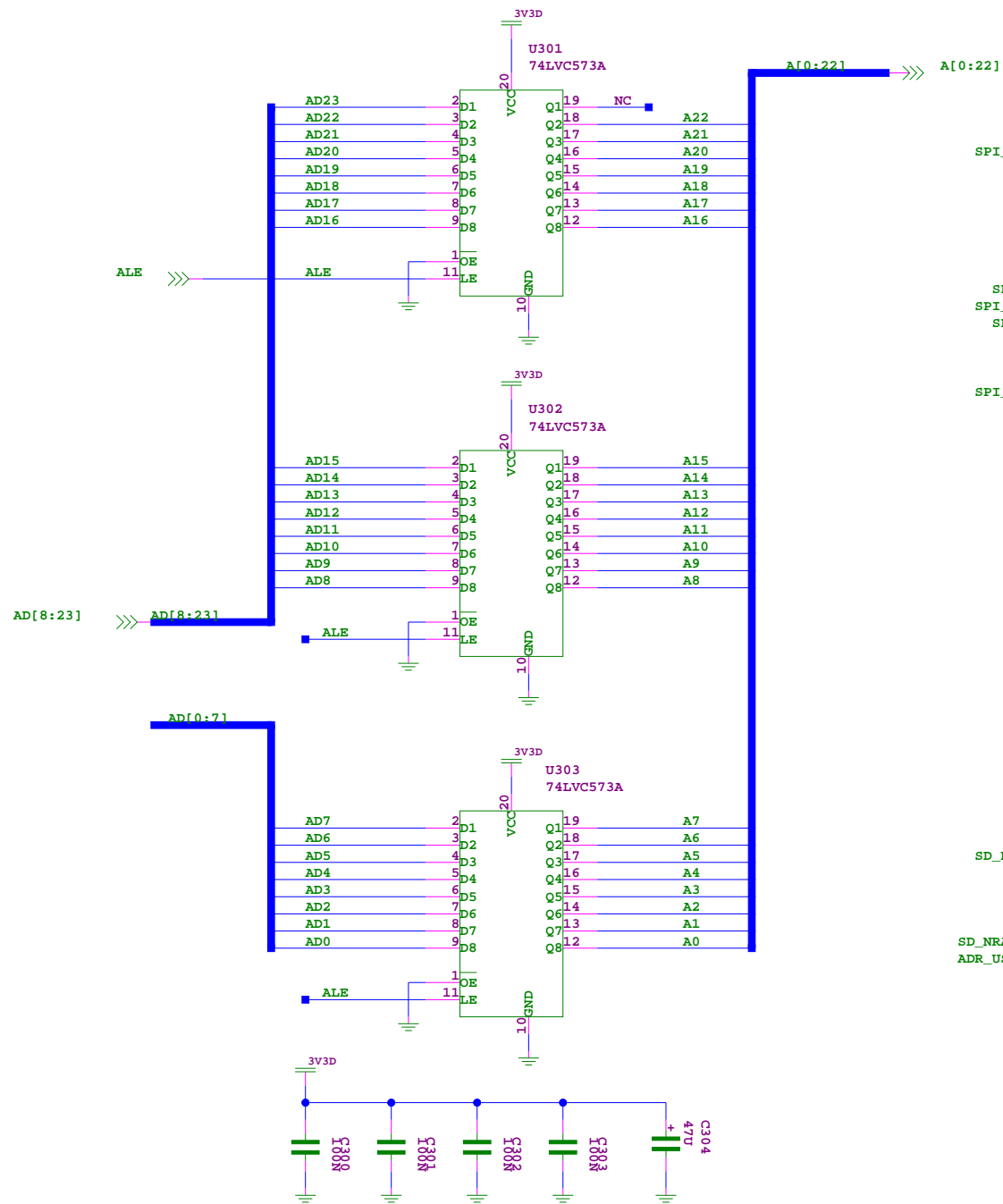
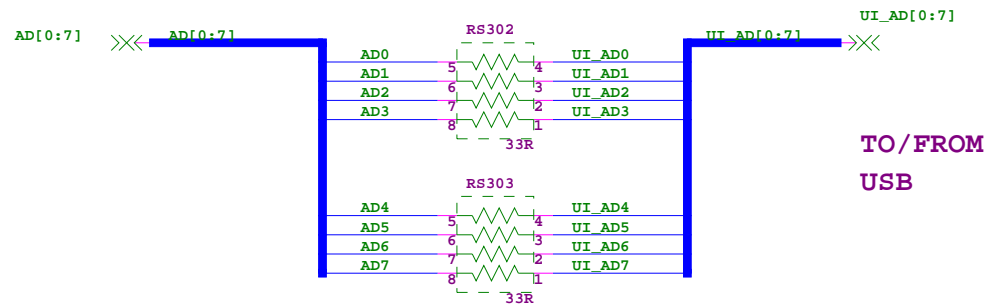


#600

TC Electronic A/S		Designer DKH/GA
Title NARES		Module title DIGITAL IO
Number P22617	Revision ECB	Previous page XX
Date 4-8-2008	Filename USB_PORT	Page / of 1 / 1

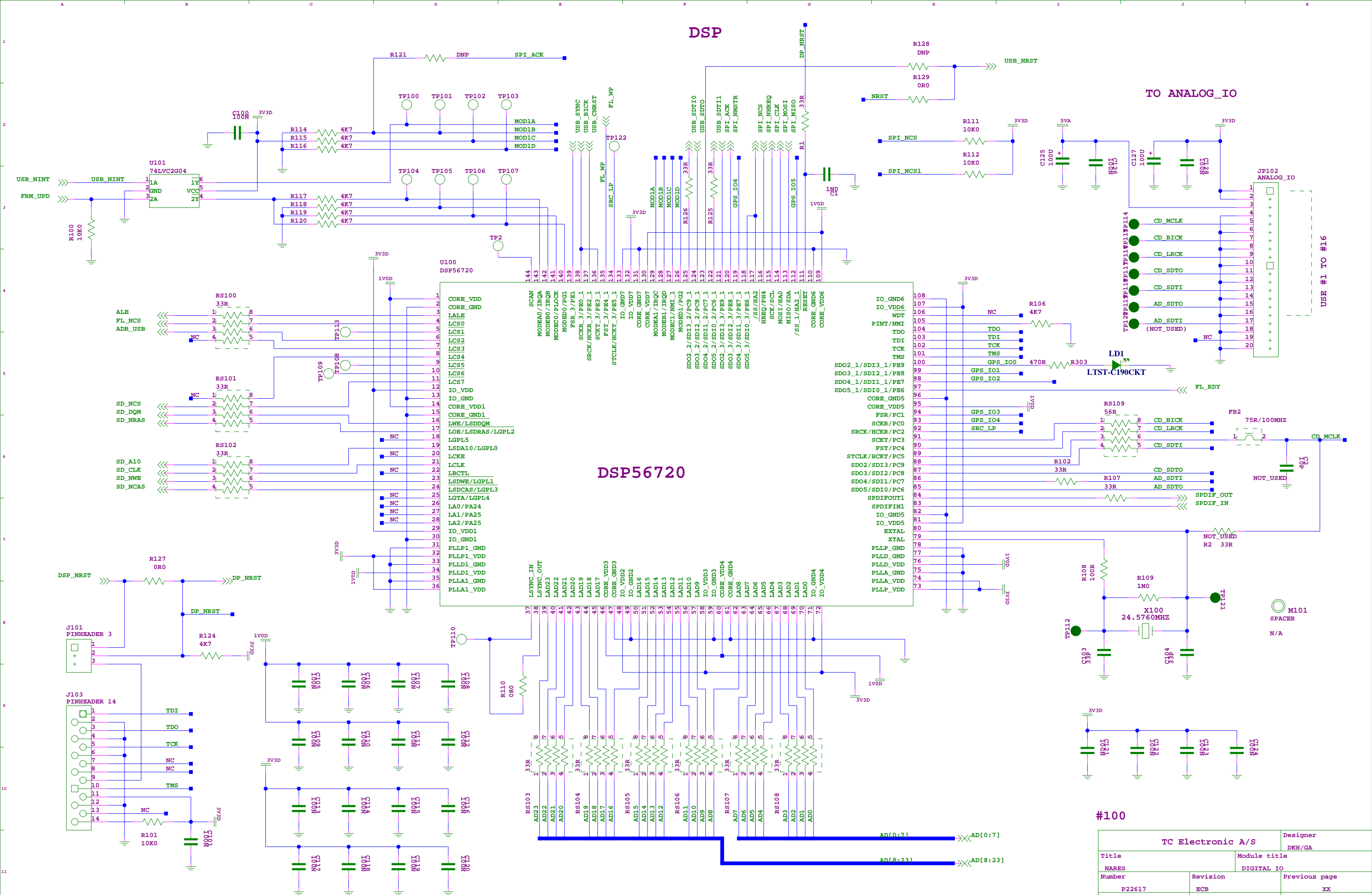
DSP IF

Mount under U300



#300

TC Electronic A/S		Designer DKH/GA
Title NARES		Module title DIGITAL IO
Number P22617	Revision ECB	Previous page XX
Date 4-8-2008	Filename DSP_IF	Page / of 1 / 1



DSP56720

TC Electronic A/S		Designer
NARES		DKH/GA
Number	Revision	Previous page
P22617	ECB	XX
Date	Filename	Page / of
4-8-2008	DSP	1 / 1