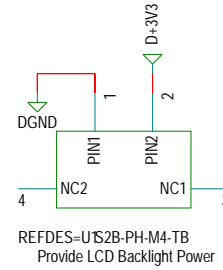
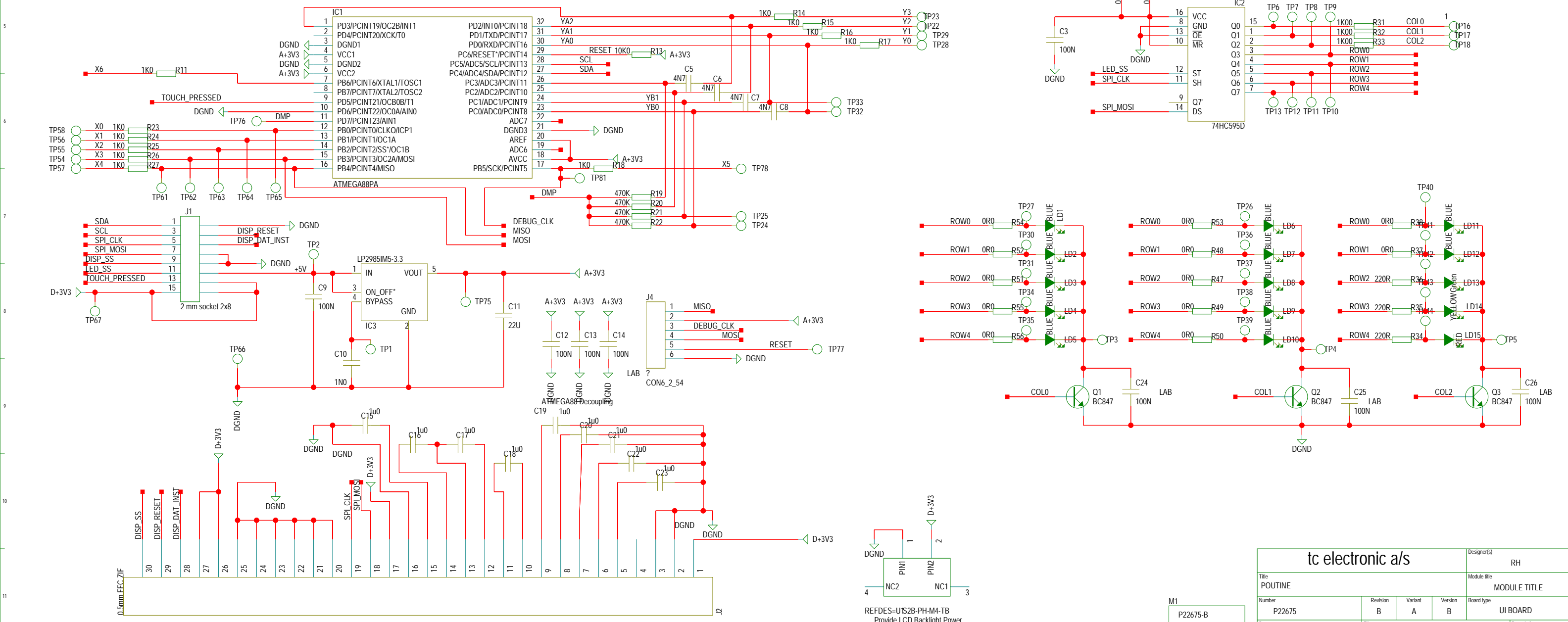


RESISTORS AND CAPS ASSOCIATED WITH X AND Y NETS MUST BE PLACED VERY CLOSE TO MICROCONTROLLER



tc electronic a/s				Designer(s)	RH
Title POUTINE				Module title MODULE TITLE	
Number P22675	Revision B	Variant A	Version B	Board type	UI BOARD
Date 20-12-2012_13:19	Filename p22675-B		Page / of 1 / 1		