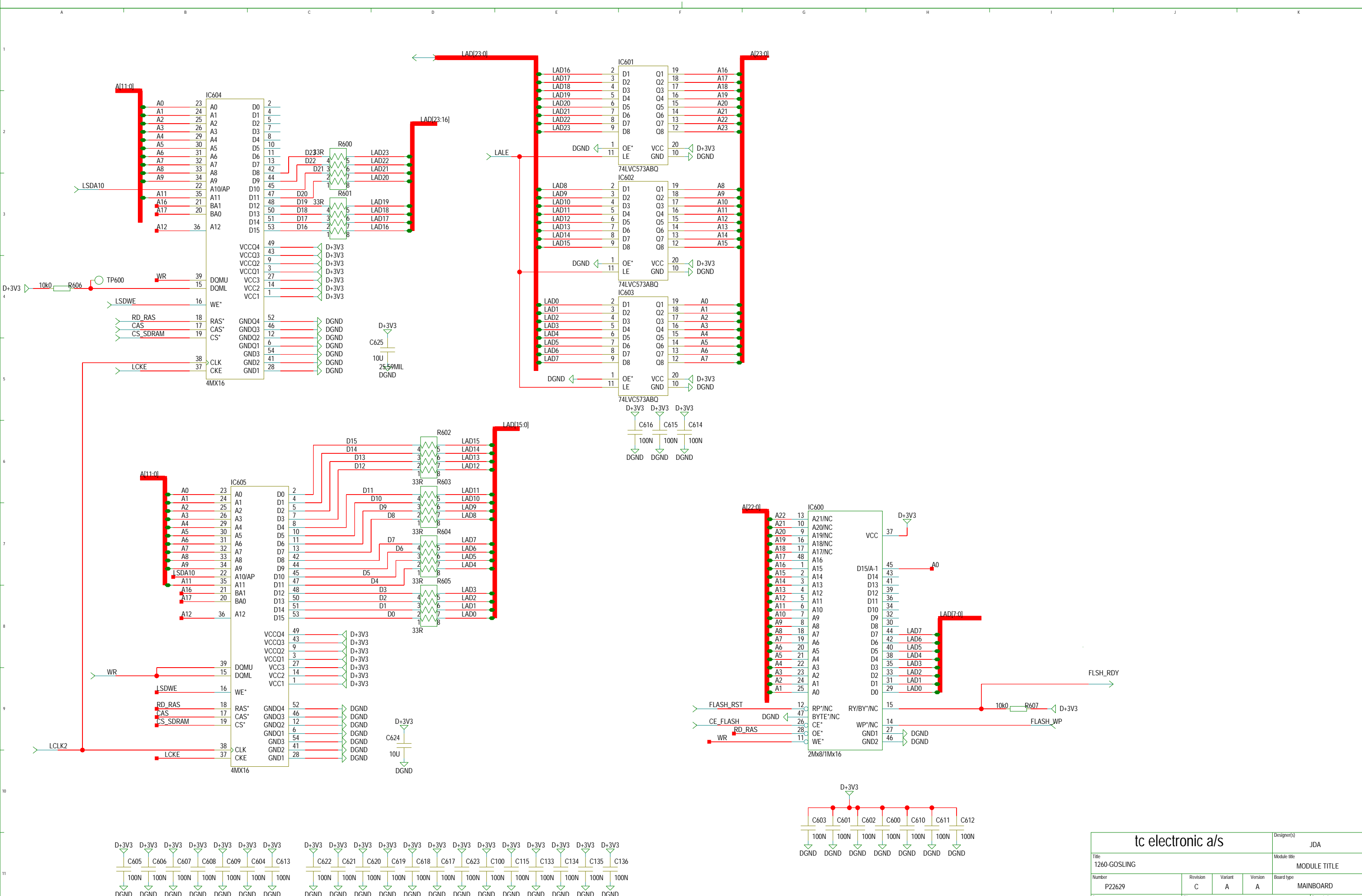
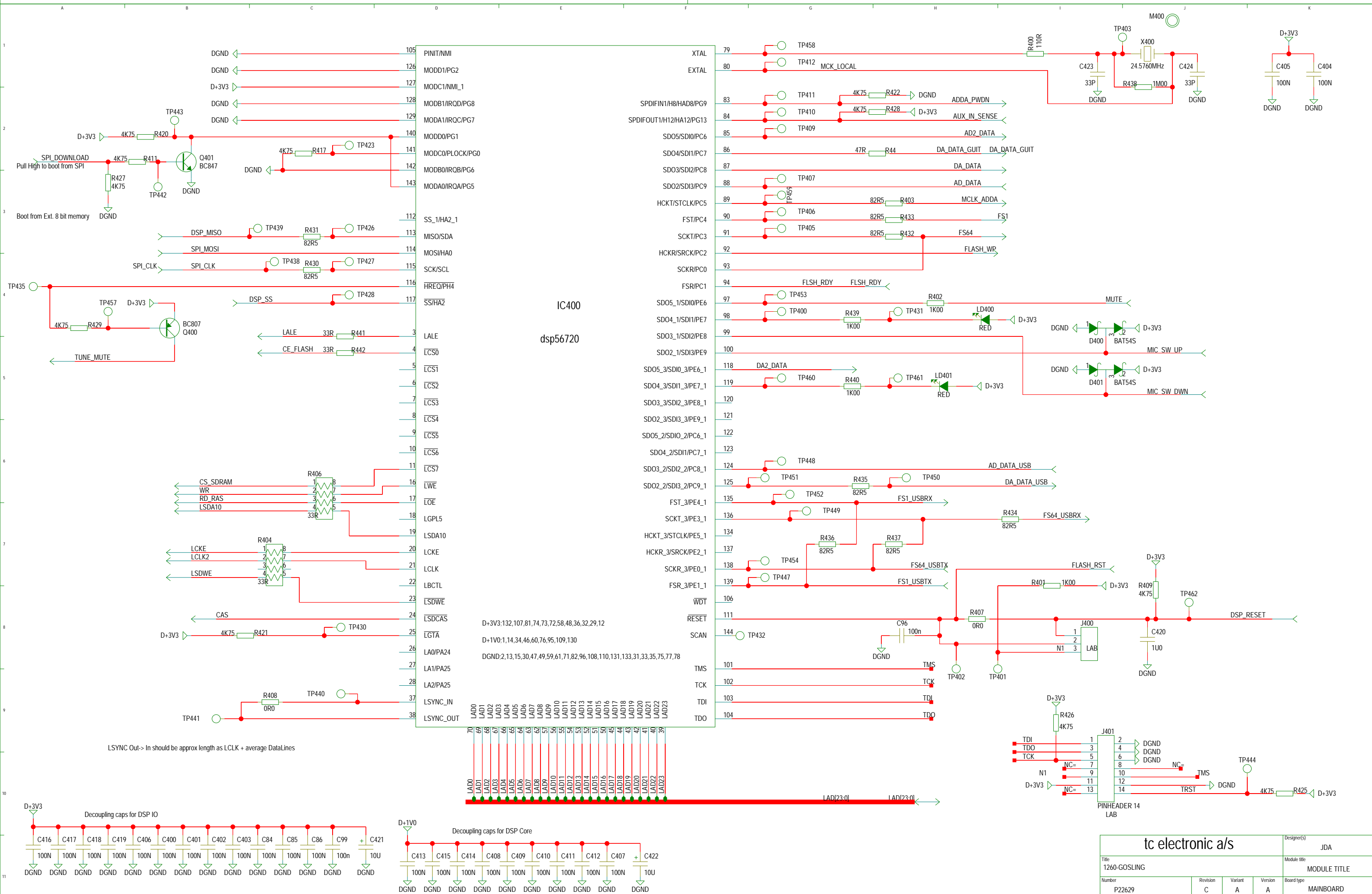


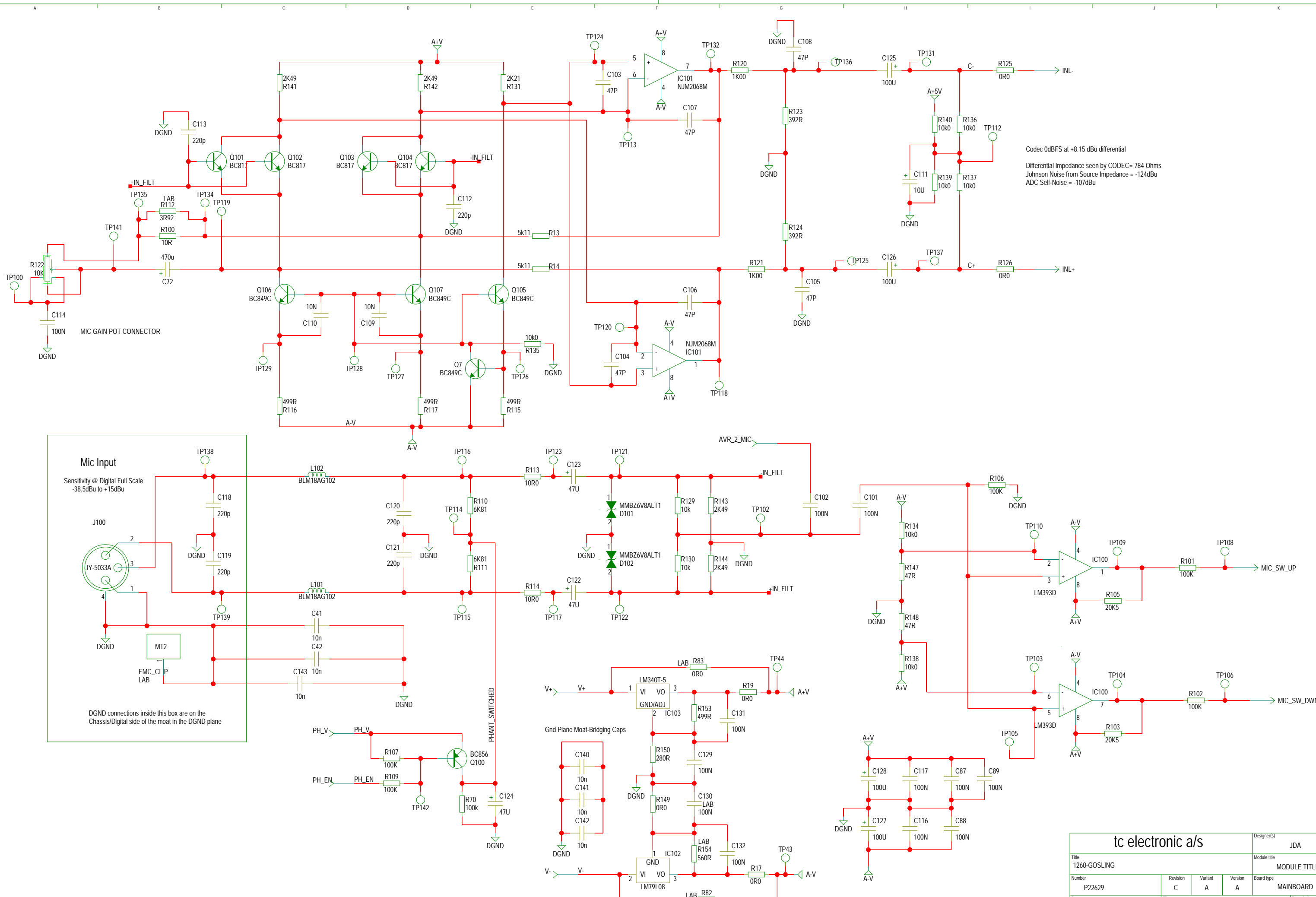
M1
P22629-B

tc electronic a/s				Designer(s) JDA
Title 1260-GOSLING				Module title MODULE TITLE
Number P22629	Revision C	Variant A	Version A	Board type MAINBOARD
Date 11-06-2014_11:27	Filename p22624-D			Page / of 1 / 9





tc electronic a/s				Designer(s) JDA
Title 1260-GOSLING				Module title MODULE TITLE
Number P22629	Revision C	Variant A	Version A	Board type MAINBOARD
Date 11-06-2014_11:26	Filename dsp720			Page / of 1 / 9



Codec 0dBFS at +8.15 dBu differential
Differential Impedance seen by CODEC= 784 Ohms
Johnson Noise from Source Impedance = -124dBu
ADC Self-Noise = -107dBu

Mic Input
Sensitivity @ Digital Full Scale
-38.5dBu to +15dBu

J100

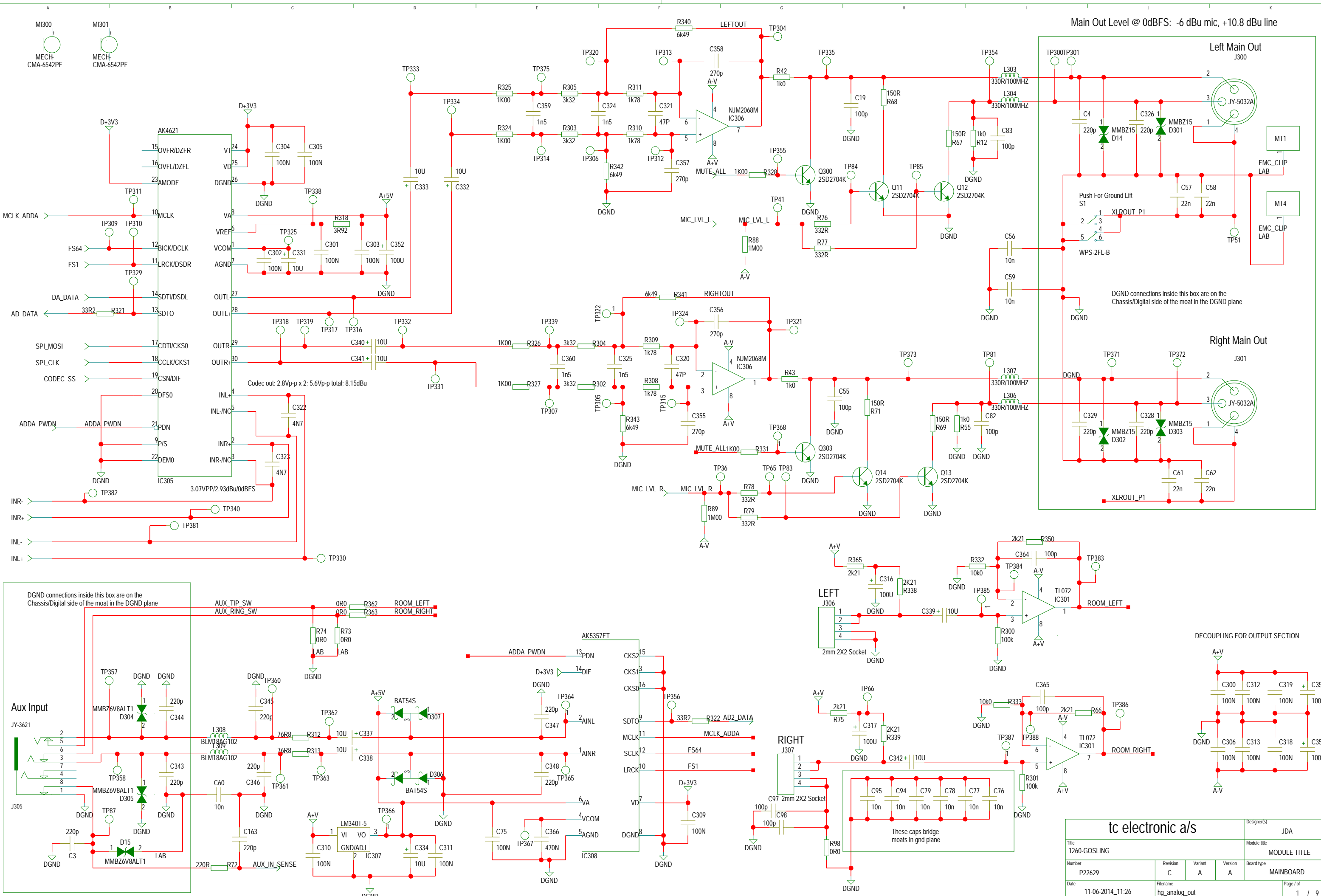
JY-5033A

MT2

EMC_CLIP LAB

DGND connections inside this box are on the Chassis/Digital side of the moat in the DGND plane

tc electronic a/s				Designer(s)	JDA
Title 1260-GOSLING				Module title MODULE TITLE	
Number P22629	Revision C	Variant A	Version A	Board type MAINBOARD	
Date 11-06-2014_11:26	Filename g_mic_input			Page / of 1 / 9	



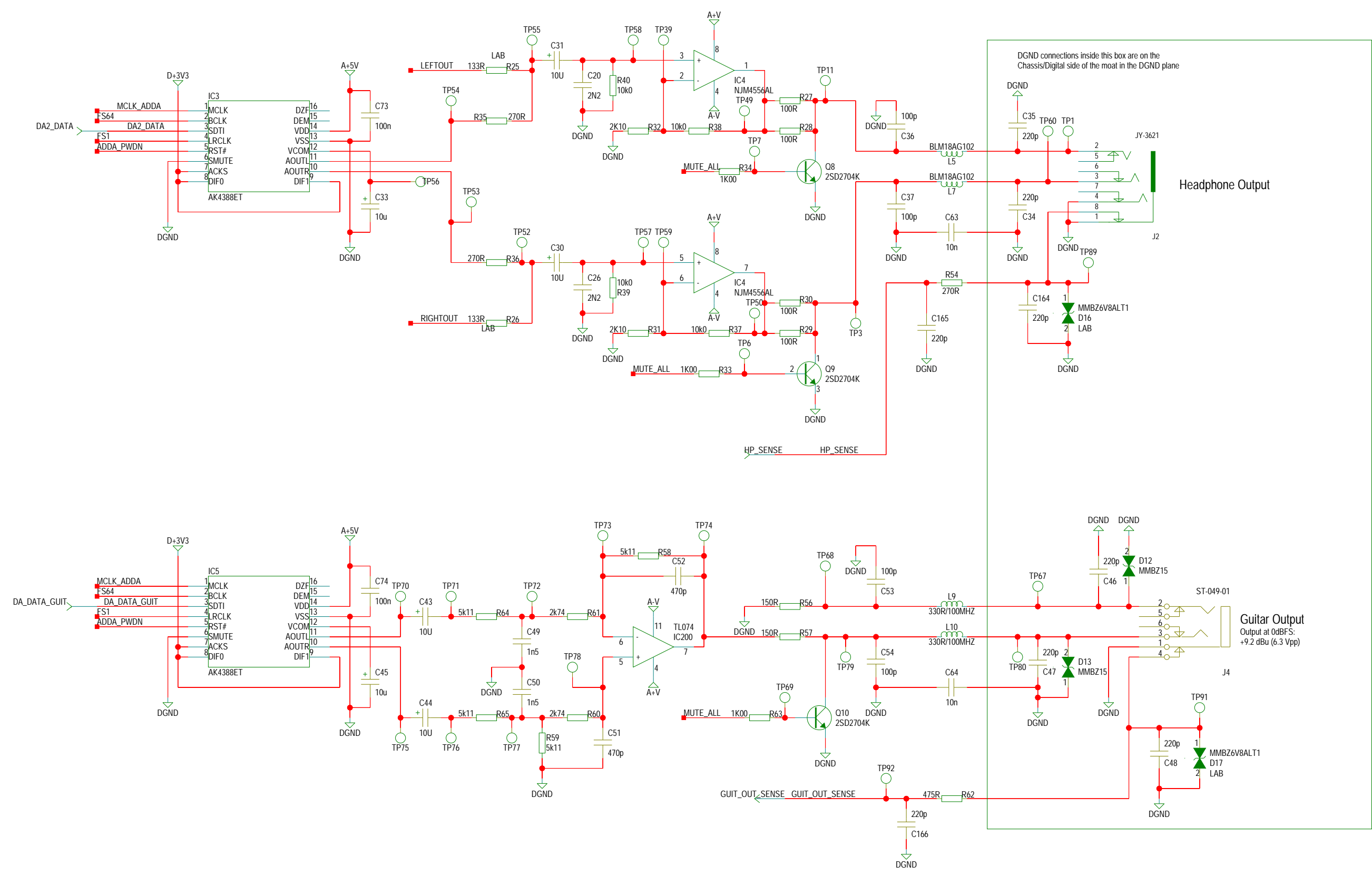
Main Out Level @ 0dBFS: -6 dBu mic, +10.8 dBu line

DGND connections inside this box are on the Chassis/Digital side of the moat in the DGND plane

DGND connections inside this box are on the Chassis/Digital side of the moat in the DGND plane

These caps bridge moats in gnd plane

tc electronic a/s				Designer(s) JDA
Title 1260-GOSLING	Revision C			Module title MODULE TITLE
Number P22629	Variant A	Version A	Board type MAINBOARD	
Date 11-06-2014_11:26	Filename hg_analog_out	Page / of 1 / 9		

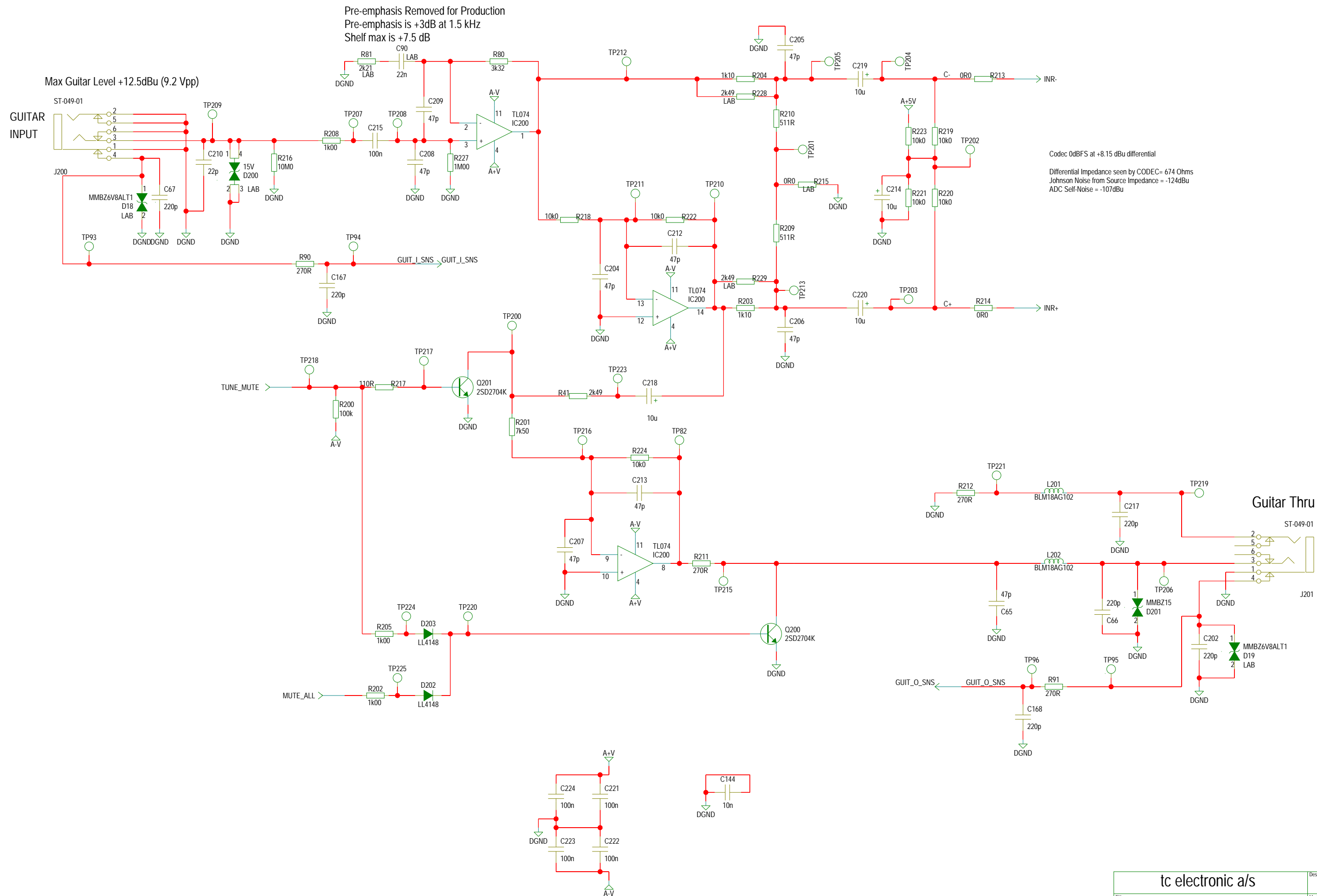


DGND connections inside this box are on the Chassis/Digital side of the moat in the DGND plane

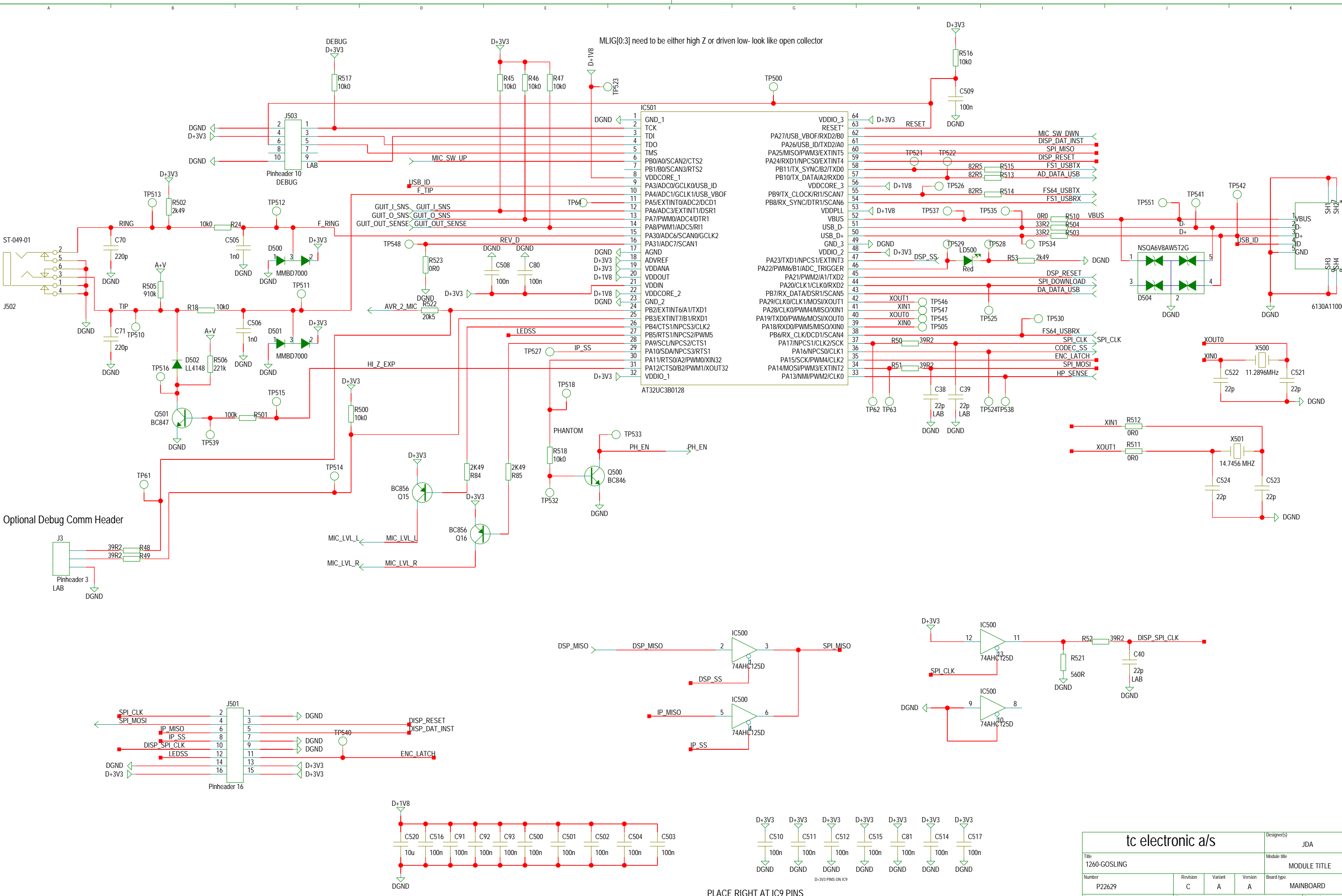
Headphone Output

Guitar Output
Output at 0dBFS:
+9.2 dBu (6.3 Vpp)

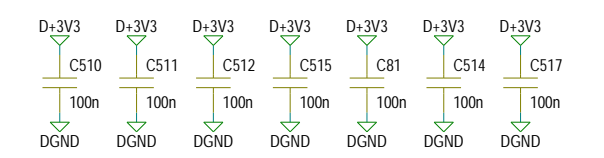
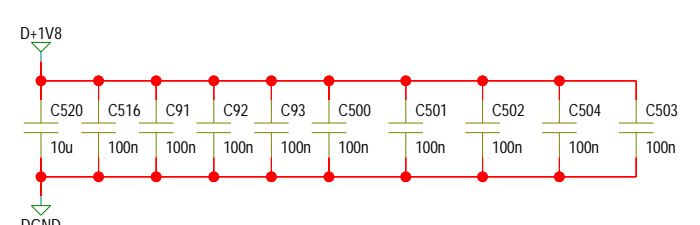
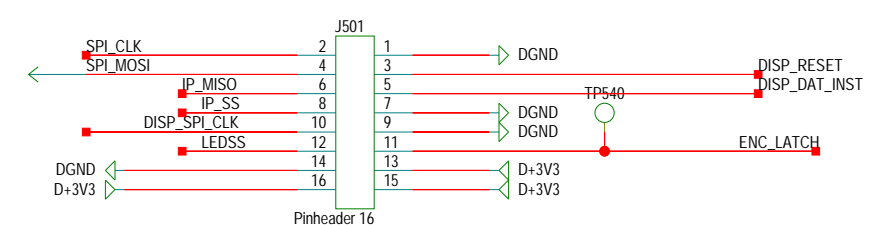
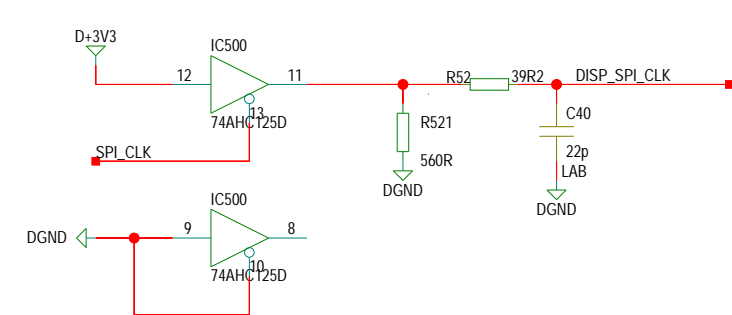
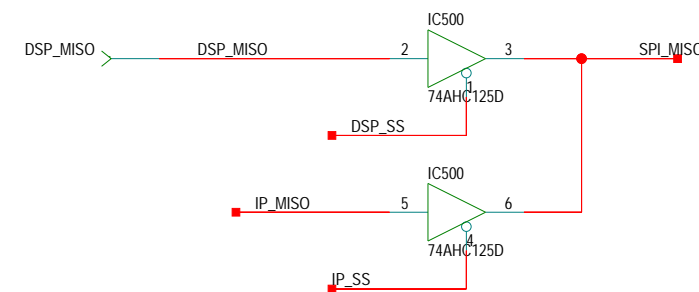
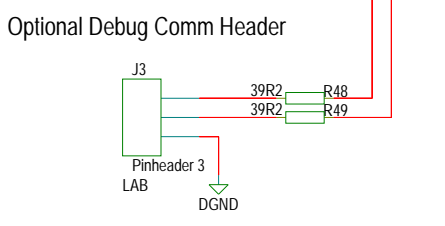
tc electronic a/s				Designer(s)	JDA
Title 1260-GOSLING				Module title MODULE TITLE	
Number P22629	Revision C	Variant A	Version A	Board type MAINBOARD	
Date 11-06-2014_11:27	Filename hg_analog_out			Page / of 1 / 9	



tc electronic a/s				Designer(s)	JDA
Title	1260-GOSLING			Module title	MODULE TITLE
Number	P22629	Revision	C	Variant	A
Date	11-06-2014_11:27	Version	A	Board type	MAINBOARD
Filename	guitar_input			Page / of	1 / 9

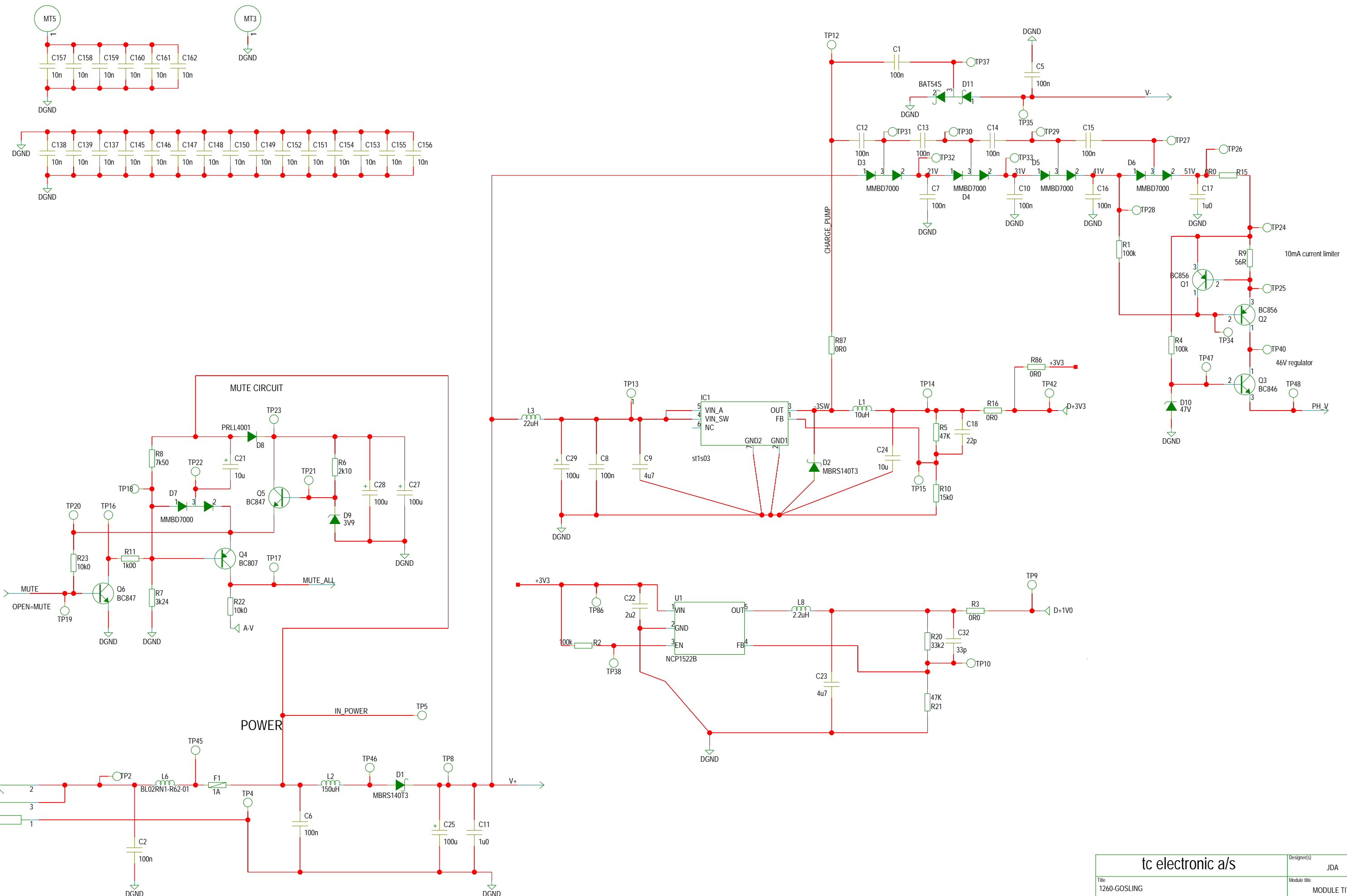


MLIG[0:3] need to be either high Z or driven low- look like open collector



PLACE RIGHT AT IC9 PINS

tc electronic a/s				Designer(s)	JDA
Title	1260-GOSLING			Module title	MODULE TITLE
Number	Revision	Variant	Version	Board type	MAINBOARD
P22629	C	A	A		
Date	Filename			Page / of	1 / 9
11-06-2014_11:27	usb_ui				



tc electronic a/s				Designer(s)	JDA
Title	1260-GOSLING			Module title	MODULE TITLE
Number	P22629	Revision	C	Variant	A
		Version	A	Board type	MAINBOARD
Date	11-06-2014_11:27	Filename	interface	Page / of	1 / 9