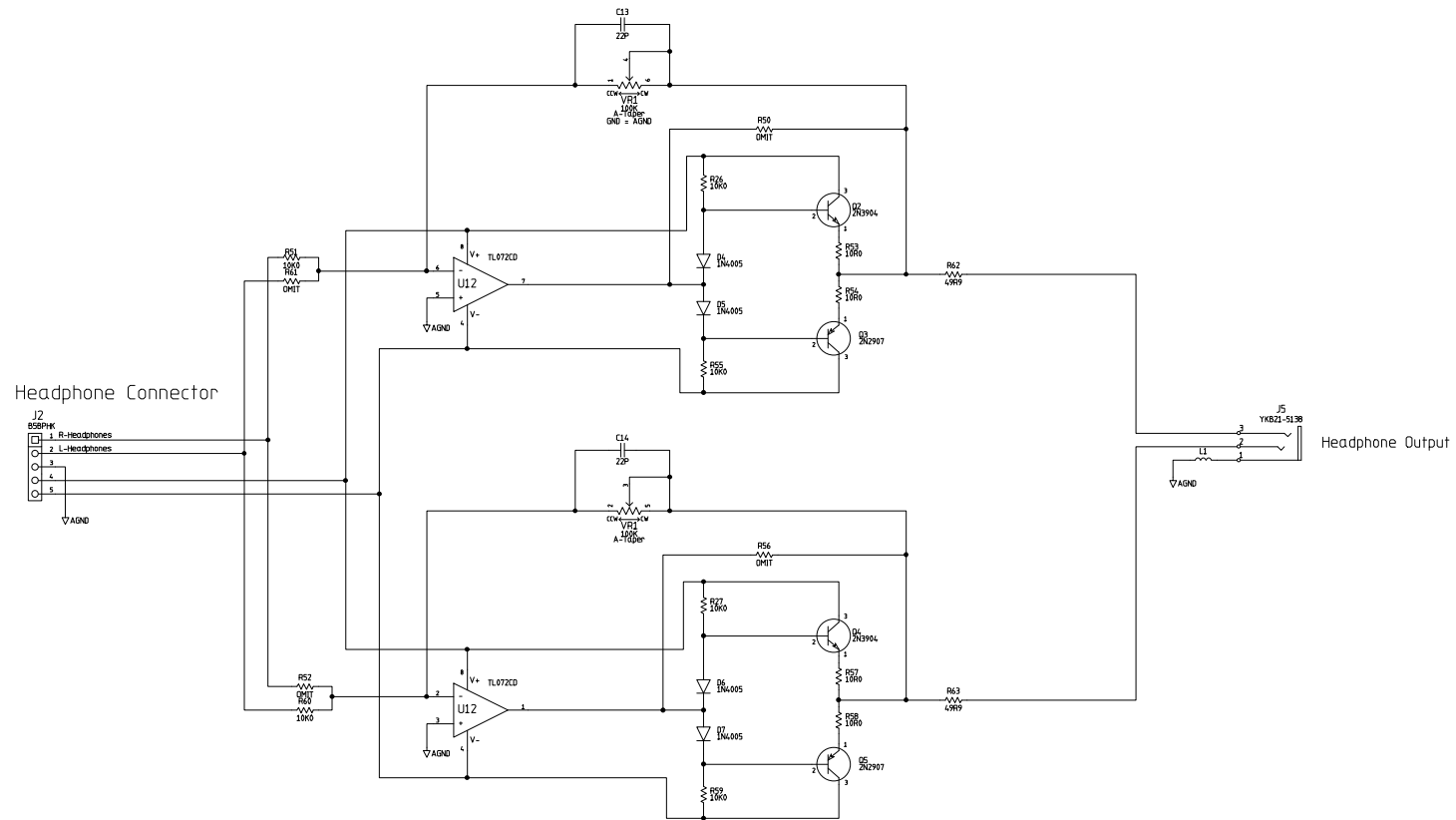
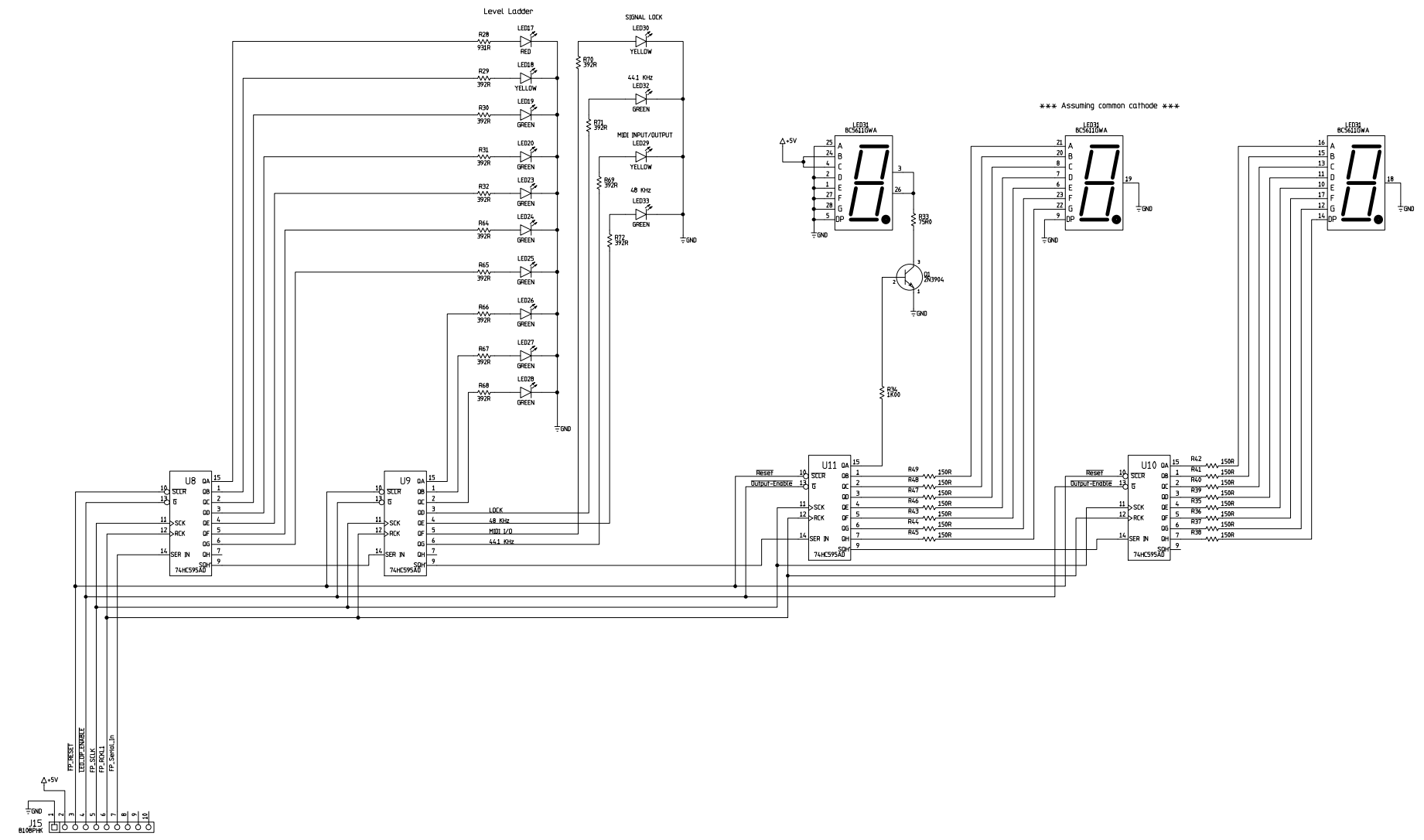


REVISIONS			
REV	DESCRIPTION	DATE	APPROVED



IVL Technologies Ltd.					
VMX Display PWBs					
PDC0146					
SIZE	DWG. NO.	MAJ.	MIN.	VAR.	
D	266-51	D	03		
SCALE: NTS	DRAWN: TWR	31/05/20	31/05/2001	SHEET= 01	

REVISIONS			
REV	DESCRIPTION	DATE	APPROVED



Ladder And BCD Connector

IVL Technologies Ltd.

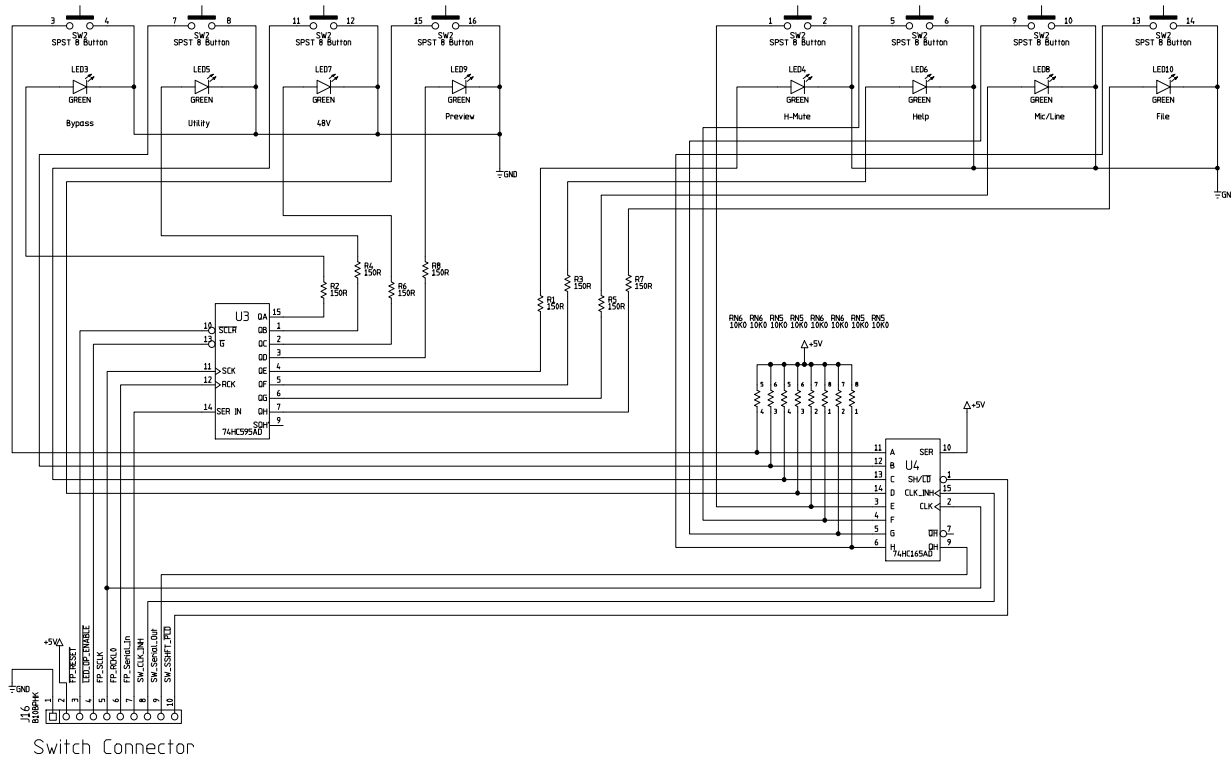
VMX Display PWBs
PDC0146

Level Ladder, BCDs, Leads

SIZE	DWG. NO.	MAJ	MIN	VAR.
D	266-51	D	03	

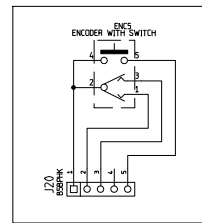
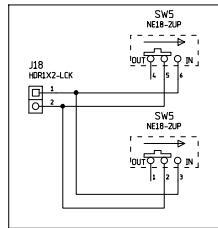
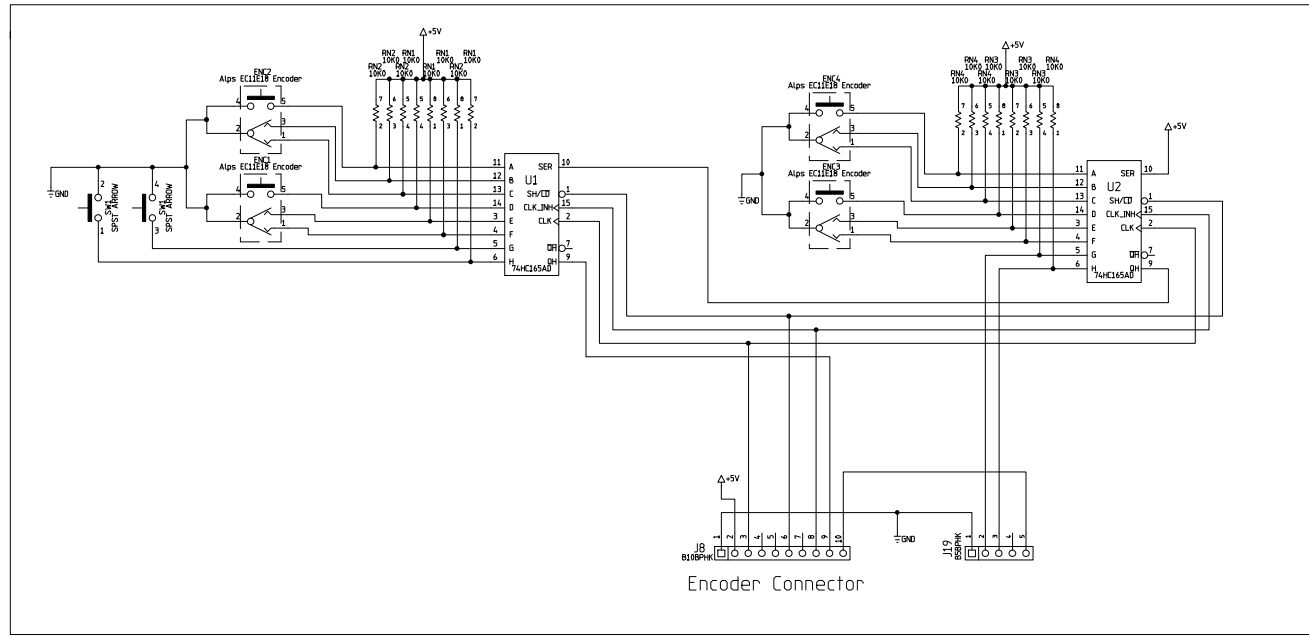
SCALE: NTS | DRAWN: TWR | 8/26/2006 | SHEET= 02

REVISIONS			
REV	DESCRIPTION	DATE	APPROVED



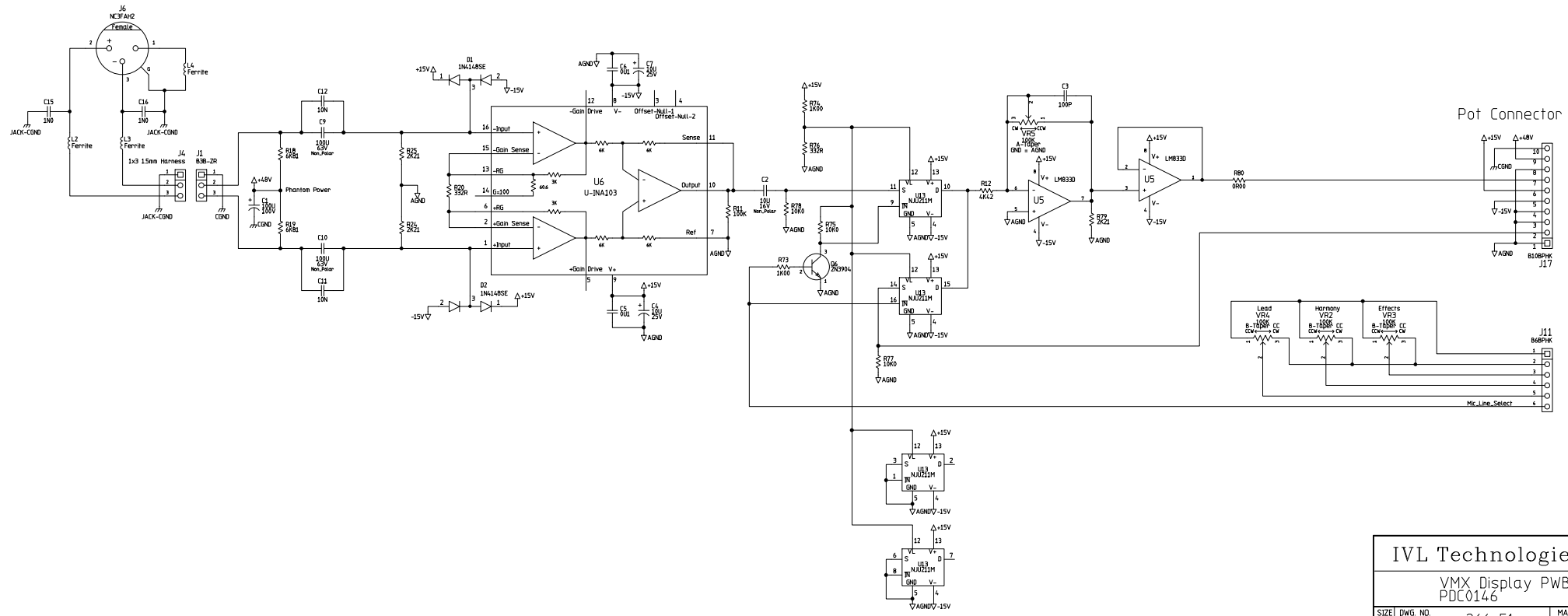
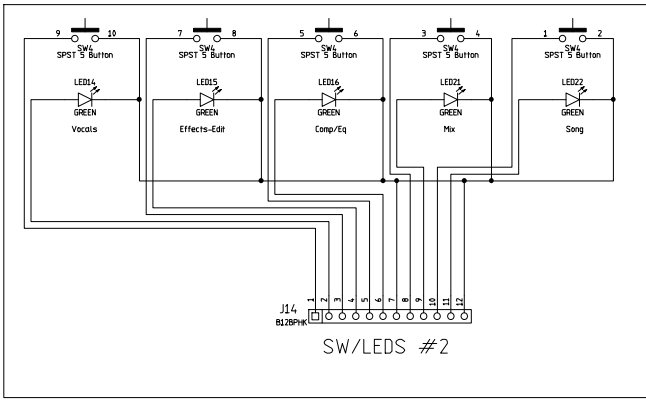
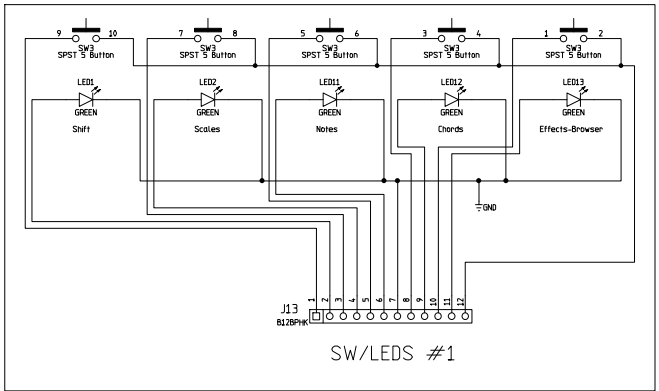
IVL Technologies Ltd.					
VMX Display PWBs					
PDC0146					
Pets. Back lit Switches					
SIZE	DWG. NO.	MAJ	MIN	VAR.	
D	266-51	D	03		
SCALE: NTS	DRAWN: TWR	31/05/20	31/05/2001	SHEET= 03	

REVISIONS			
REV	DESCRIPTION	DATE	APPROVED



IVL Technologies Ltd.			
VMX Display PWBs			
PDC0146 Switches and Rotary Encoders			
SIZE	DWG. NO.	MAJ.	MIN. VAR.
D	266-51	D	03
SCALE: NTS	DRAWN: TWR	8/26/20	8/26/2001
SHEET= 04			

REVISIONS			
REV	DESCRIPTION	DATE	APPROVED

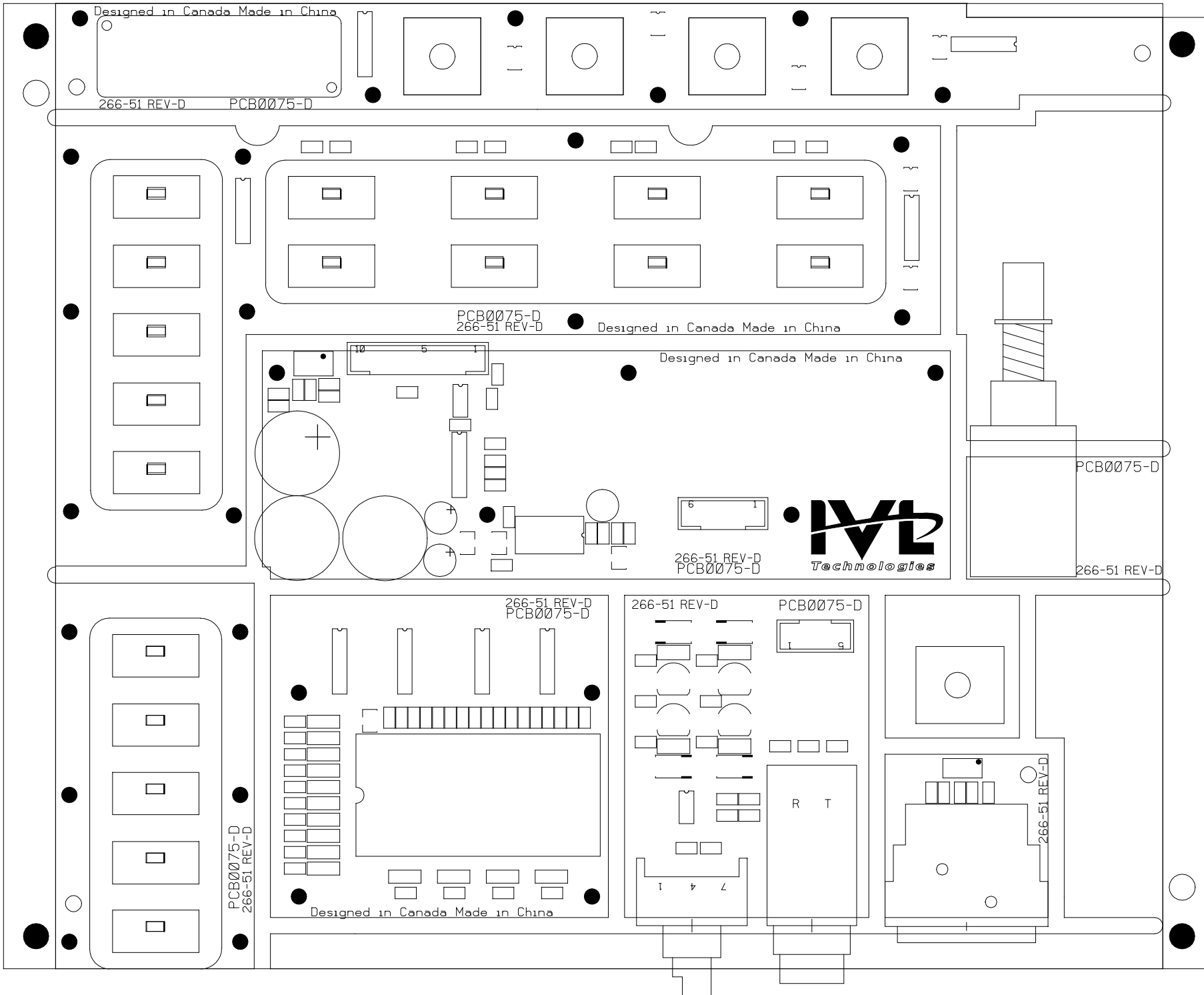


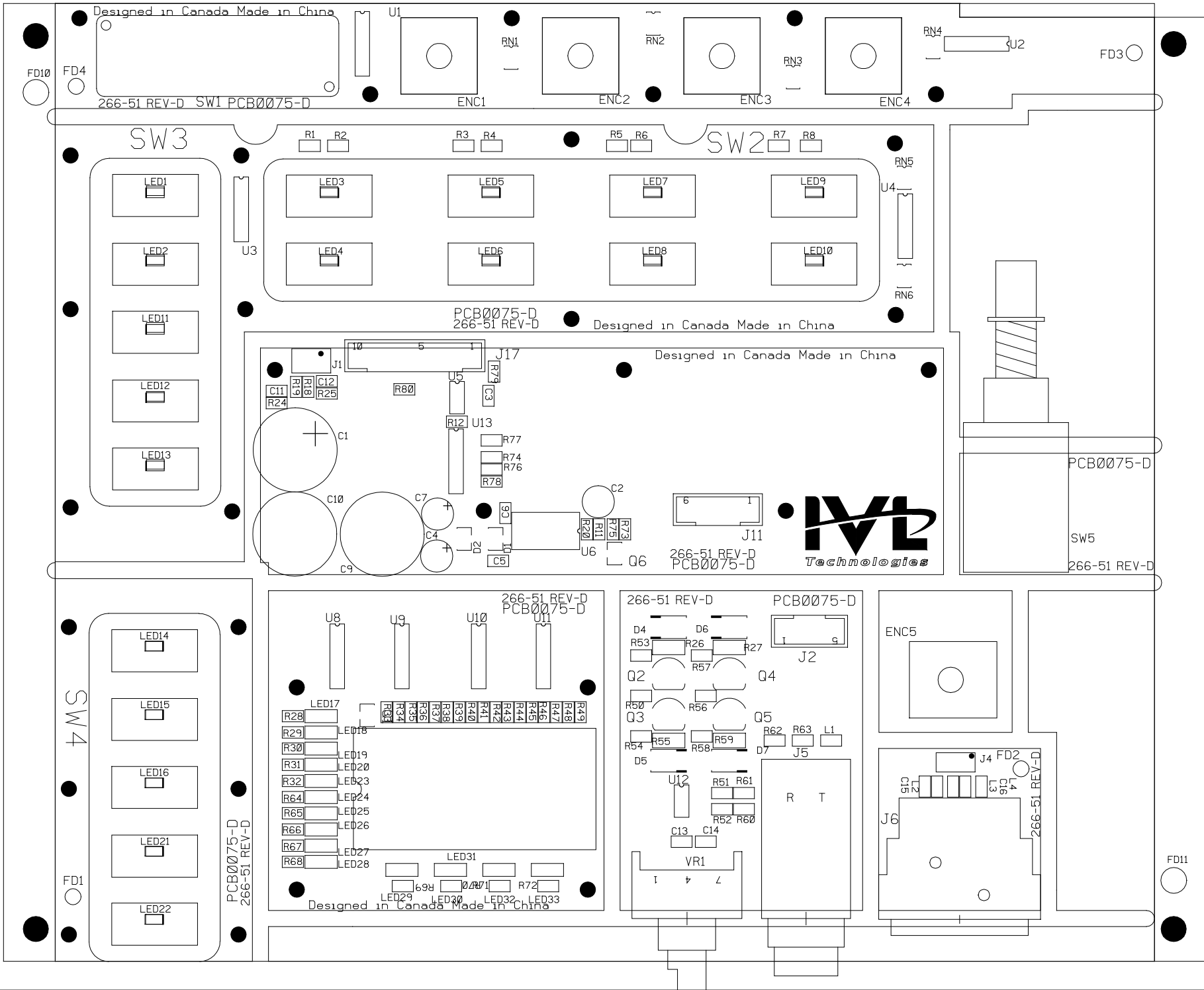
IVL Technologies Ltd.

VMX_Display PWbs
PDC0146

SIZE	DWG. NO.	266-51	MAJ	MIN	VAR.
D			D	03	
SCALE: NTS	DRAWN:	TWR	REVISED:	DATE:	SHEET= 05

Back Lit Switches





Designed in Canada Made in China
266-51 REV-D SW1 PCB0075-D

ENC1 ENC2 ENC3 ENC4

SW3

SW2

PCB0075-D
266-51 REV-D
Designed in Canada Made in China

Designed in Canada Made in China

266-51 REV-D
PCB0075-D

PCB0075-D
SW5
266-51 REV-D

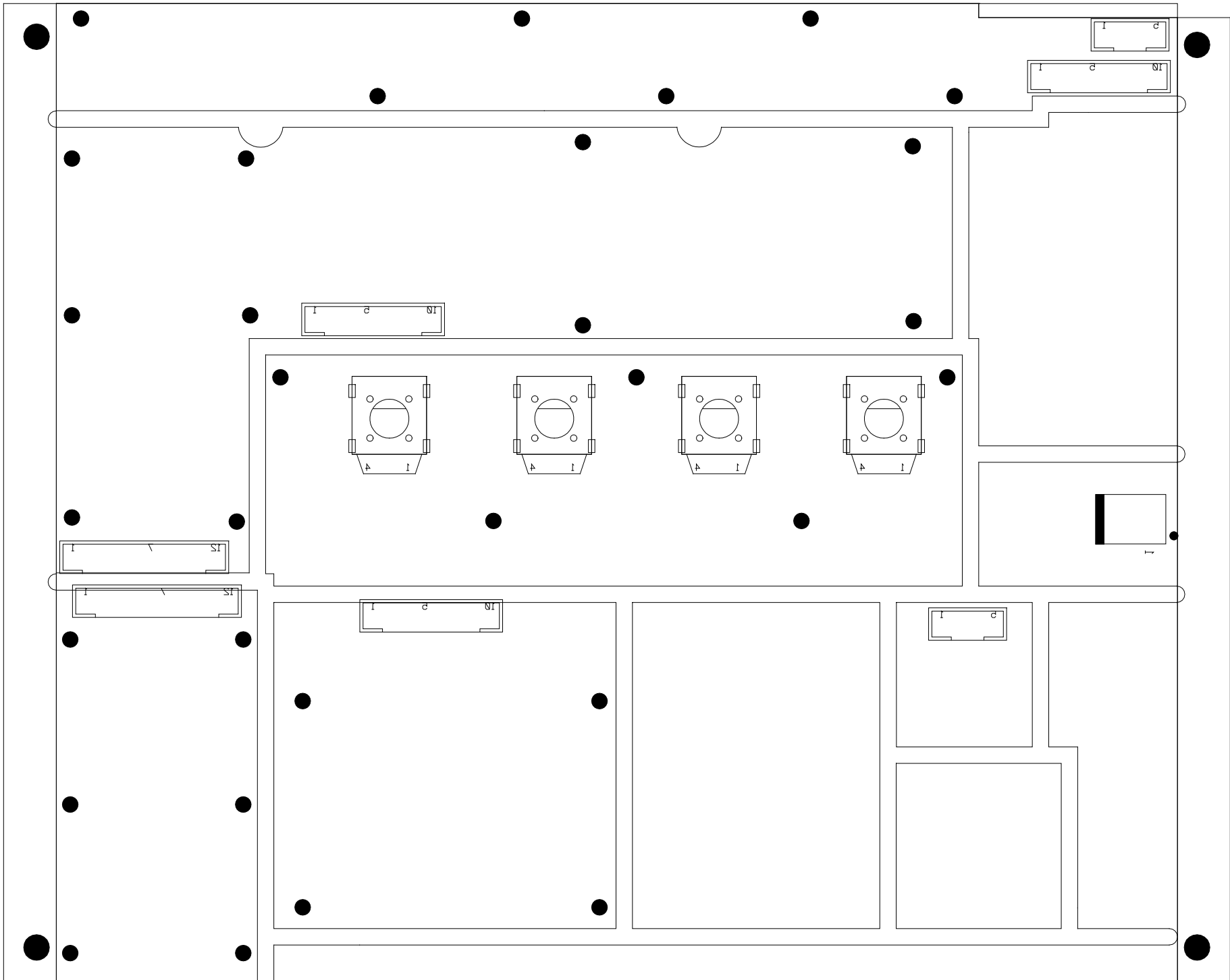
PCB0075-D
266-51 REV-D

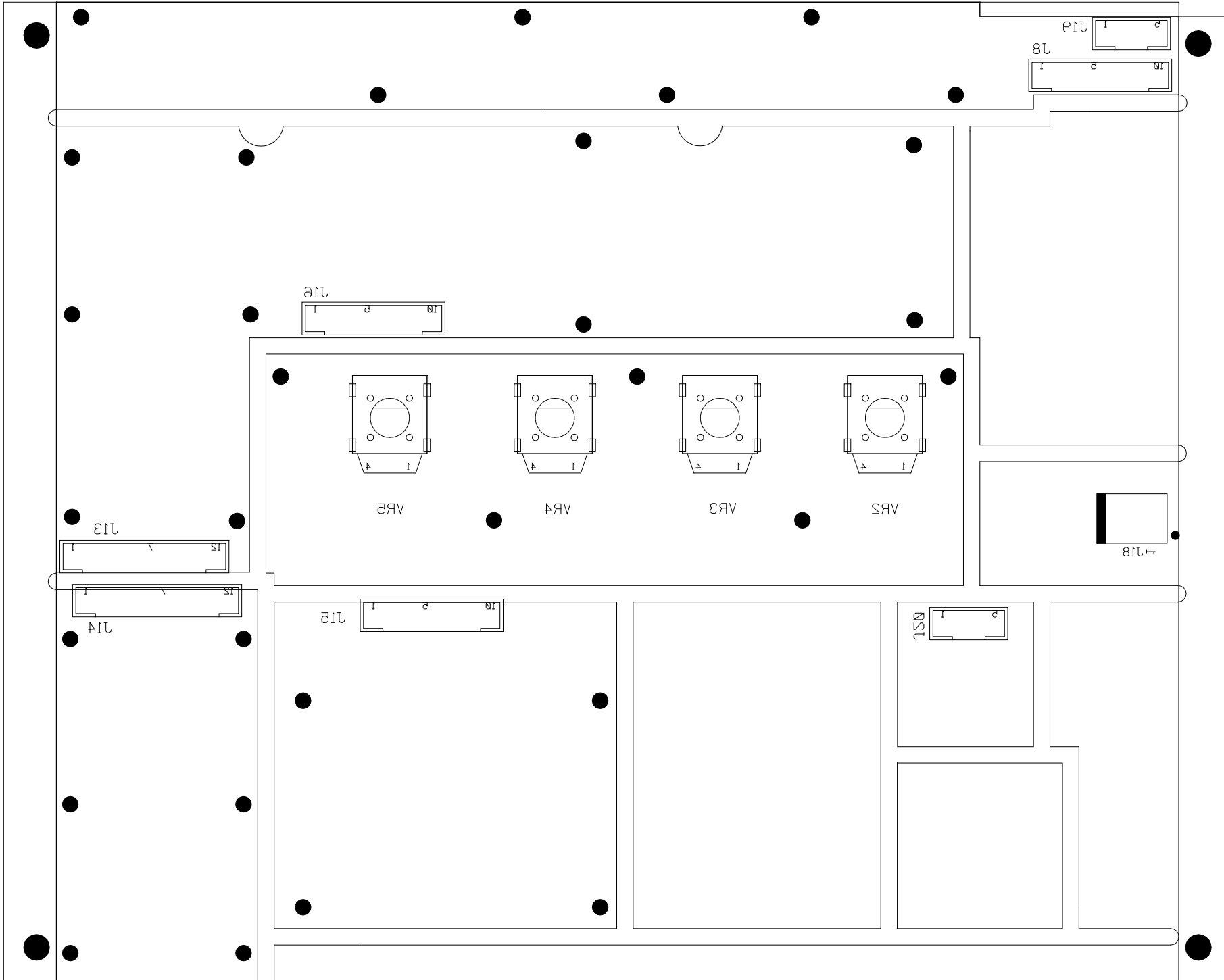
266-51 REV-D
PCB0075-D

266-51 REV-D
PCB0075-D

Designed in Canada Made in China

266-51 REV-D





Bill of Materials

6710 Bertram Place
Victoria, BC
Canada V8M 1Z6
TEL 250 544 4091
FAX 250 544 4100
www.iml.com



Job Name :PDC0146-D03 VMX DISPLAY

Extraction Date: 02/01/01 02:19:24

<u>Item</u>	<u>Side</u>	<u>Comp Type</u>	<u>Ref</u>	<u>Value</u>	<u>Description</u>	<u>Visual Part:</u>
1	BOTTOM	THRU_COMP	J13	B12BPHK	HDR 1x12, 2mm Spacing, B12BPHK	HDT0066
2	BOTTOM	THRU_COMP	J14	B12BPHK	HDR 1x12, 2mm Spacing, B12BPHK	HDT0066
3	BOTTOM	THRU_COMP	J15	B10BPHK	HDR 1x10, 2mm Spacing, B10BPHK	HDT0011
4	BOTTOM	THRU_COMP	J16	B10BPHK	HDR 1x10, 2mm Spacing, B10BPHK	HDT0011
5	BOTTOM	THRU_COMP	J18	HDR1X2-LCK	HDR 1X2, 0.156" Spacing, Male, Vertical, Locking	HDT0078
6	BOTTOM	THRU_COMP	J19	B5BPHK	HDR 1x5, 2mm Spacing, B5BPHK	HDT0006
7	BOTTOM	THRU_COMP	J20	B5BPHK	HDR 1x5, 2mm Spacing, B5BPHK	HDT0006
8	BOTTOM	THRU_COMP	J8	B10BPHK	HDR 1x10, 2mm Spacing, B10BPHK	HDT0011
9	BOTTOM	THRU_COMP	VR2	100K	100K, B-Taper, Sing, CC, 11mm, D-Shaft, Vertical	POT0045
10	BOTTOM	THRU_COMP	VR3	100K	100K, B-Taper, Sing, CC, 11mm, D-Shaft, Vertical	POT0045
11	BOTTOM	THRU_COMP	VR4	100K	100K, B-Taper, Sing, CC, 11mm, D-Shaft, Vertical	POT0045
12	BOTTOM	THRU_COMP	VR5	100K	100K, A-Taper, Sing, 11mm, D-Shaft, Vertical	POT0042
13	TOP	SMD	C11	10N	CAP,CHIP,0805,10%,100V	CPS0055
14	TOP	SMD	C12	10N	CAP,CHIP,0805,10%,100V	CPS0055
15	TOP	SMD	C13	22P	CAP,CHIP,0805,10%,50V,X7R	CPS0004
16	TOP	SMD	C14	22P	CAP,CHIP,0805,10%,50V,X7R	CPS0004
17	TOP	SMD	C15	1N0	CAP,CHIP,0805,10%,100V	CPS0056
18	TOP	SMD	C16	1N0	CAP,CHIP,0805,10%,100V	CPS0056
19	TOP	SMD	C3	100P	CAP,CHIP,0805,10%,50V,X7R	CPS0026
20	TOP	SMD	C5	0U1	CAP,CHIP,0805,10%,50V,X7R	CPS0001
21	TOP	SMD	C6	0U1	CAP,CHIP,0805,10%,50V,X7R	CPS0001
22	TOP	SMD	D1	1N4148SE	Dual 1N4148 Switching Diode, SOT23	DDS0006
23	TOP	SMD	D2	1N4148SE	Dual 1N4148 Switching Diode, SOT23	DDS0006
24	TOP	SMD	D4	1N4005	1N4005 S1G Power Rectifier, SMA package	DDS0003
25	TOP	SMD	D5	1N4005	1N4005 S1G Power Rectifier, SMA package	DDS0003
26	TOP	SMD	D6	1N4005	1N4005 S1G Power Rectifier, SMA package	DDS0003
27	TOP	SMD	D7	1N4005	1N4005 S1G Power Rectifier, SMA package	DDS0003
28	TOP	SMD	L1	Ferrite	FERRITE BEAD, 600R, 0805 SMD	INS0001
29	TOP	SMD	L2	Ferrite	FERRITE BEAD, 600R, 0805 SMD	INS0001
30	TOP	SMD	L3	Ferrite	FERRITE BEAD, 600R, 0805 SMD	INS0001
31	TOP	SMD	L4	Ferrite	FERRITE BEAD, 600R, 0805 SMD	INS0001
32	TOP	SMD	LED1	GREEN	GREEN,LED,CHIP,0603	LDS0001
33	TOP	SMD	LED10	GREEN	GREEN,LED,CHIP,0603	LDS0001
34	TOP	SMD	LED11	GREEN	GREEN,LED,CHIP,0603	LDS0001
35	TOP	SMD	LED12	GREEN	GREEN,LED,CHIP,0603	LDS0001
36	TOP	SMD	LED13	GREEN	GREEN,LED,CHIP,0603	LDS0001
37	TOP	SMD	LED14	GREEN	GREEN,LED,CHIP,0603	LDS0001
38	TOP	SMD	LED15	GREEN	GREEN,LED,CHIP,0603	LDS0001
39	TOP	SMD	LED16	GREEN	GREEN,LED,CHIP,0603	LDS0001
40	TOP	SMD	LED2	GREEN	GREEN,LED,CHIP,0603	LDS0001
41	TOP	SMD	LED21	GREEN	GREEN,LED,CHIP,0603	LDS0001
42	TOP	SMD	LED22	GREEN	GREEN,LED,CHIP,0603	LDS0001
43	TOP	SMD	LED3	GREEN	GREEN,LED,CHIP,0603	LDS0001
44	TOP	SMD	LED4	GREEN	GREEN,LED,CHIP,0603	LDS0001
45	TOP	SMD	LED5	GREEN	GREEN,LED,CHIP,0603	LDS0001
46	TOP	SMD	LED6	GREEN	GREEN,LED,CHIP,0603	LDS0001
47	TOP	SMD	LED7	GREEN	GREEN,LED,CHIP,0603	LDS0001
48	TOP	SMD	LED8	GREEN	GREEN,LED,CHIP,0603	LDS0001
49	TOP	SMD	LED9	GREEN	GREEN,LED,CHIP,0603	LDS0001
50	TOP	SMD	Q1	2N3904	2N3904 NPN Transistor, SOT23	TRS0002
51	TOP	SMD	Q6	2N3904	2N3904 NPN Transistor, SOT23	TRS0002
52	TOP	SMD	R1	150R	RES,CHIP,0805,1%,METAL-FILM	RSS0004
53	TOP	SMD	R11	100K	RES,CHIP,0805,1%,METAL-FILM	RSS0096
54	TOP	SMD	R12	4K42	RES,CHIP,0805,1%,METAL-FILM	RSS0189

Bill of Materials

6710 Bertram Place
 Victoria, BC
 Canada V8M 1Z6
 TEL 250 544 4091
 FAX 250 544 4100
 www.iml.com



Job Name :PDC0146-D03 VMX DISPLAY

Extraction Date: 02/01/01 02:19:24

Item	Side	Comp Type	Ref	Value	Description	Visual Part:
55	TOP	SMD	R18	6K81	RES,CHIP,0805,1%,METAL-FILM	RSS0141
56	TOP	SMD	R19	6K81	RES,CHIP,0805,1%,METAL-FILM	RSS0141
57	TOP	SMD	R2	150R	RES,CHIP,0805,1%,METAL-FILM	RSS0004
58	TOP	SMD	R20	332R	RES,CHIP,0805,1%,METAL-FILM	RSS0086
59	TOP	SMD	R24	2K21	RES,CHIP,0805,1%,METAL-FILM	RSS0093
60	TOP	SMD	R25	2K21	RES,CHIP,0805,1%,METAL-FILM	RSS0093
61	TOP	SMD	R26	10K0	RES,CHIP,1206,1%,METAL-FILM	RSS0015
62	TOP	SMD	R27	10K0	RES,CHIP,1206,1%,METAL-FILM	RSS0015
63	TOP	SMD	R28	931R	RES,CHIP,0805,1%,METAL-FILM	RSS0185
64	TOP	SMD	R29	392R	RES,CHIP,0805,1%,METAL-FILM	RSS0197
65	TOP	SMD	R3	150R	RES,CHIP,0805,1%,METAL-FILM	RSS0004
66	TOP	SMD	R30	392R	RES,CHIP,0805,1%,METAL-FILM	RSS0197
67	TOP	SMD	R31	392R	RES,CHIP,0805,1%,METAL-FILM	RSS0197
68	TOP	SMD	R32	392R	RES,CHIP,0805,1%,METAL-FILM	RSS0197
69	TOP	SMD	R33	75R0	RES,CHIP,0805,1%,METAL-FILM	RSS0089
70	TOP	SMD	R34	1K00	RES,CHIP,0805,1%,METAL-FILM	RSS0007
71	TOP	SMD	R35	150R	RES,CHIP,0805,1%,METAL-FILM	RSS0004
72	TOP	SMD	R36	150R	RES,CHIP,0805,1%,METAL-FILM	RSS0004
73	TOP	SMD	R37	150R	RES,CHIP,0805,1%,METAL-FILM	RSS0004
74	TOP	SMD	R38	150R	RES,CHIP,0805,1%,METAL-FILM	RSS0004
75	TOP	SMD	R39	150R	RES,CHIP,0805,1%,METAL-FILM	RSS0004
76	TOP	SMD	R4	150R	RES,CHIP,0805,1%,METAL-FILM	RSS0004
77	TOP	SMD	R40	150R	RES,CHIP,0805,1%,METAL-FILM	RSS0004
78	TOP	SMD	R41	150R	RES,CHIP,0805,1%,METAL-FILM	RSS0004
79	TOP	SMD	R42	150R	RES,CHIP,0805,1%,METAL-FILM	RSS0004
80	TOP	SMD	R43	150R	RES,CHIP,0805,1%,METAL-FILM	RSS0004
81	TOP	SMD	R44	150R	RES,CHIP,0805,1%,METAL-FILM	RSS0004
82	TOP	SMD	R45	150R	RES,CHIP,0805,1%,METAL-FILM	RSS0004
83	TOP	SMD	R46	150R	RES,CHIP,0805,1%,METAL-FILM	RSS0004
84	TOP	SMD	R47	150R	RES,CHIP,0805,1%,METAL-FILM	RSS0004
85	TOP	SMD	R48	150R	RES,CHIP,0805,1%,METAL-FILM	RSS0004
86	TOP	SMD	R49	150R	RES,CHIP,0805,1%,METAL-FILM	RSS0004
87	TOP	SMD	R5	150R	RES,CHIP,0805,1%,METAL-FILM	RSS0004
88	TOP	SMD	R50	OMIT	OMIT,RES,CHIP,0805,1%,METAL-FILM	OMIT-RM08
89	TOP	SMD	R51	10K0	RES,CHIP,0805,1%,METAL-FILM	RSS0002
90	TOP	SMD	R52	OMIT	OMIT,RES,CHIP,0805,1%,METAL-FILM	OMIT-RM08
91	TOP	SMD	R53	10R0	RES,CHIP,0805,1%,METAL-FILM	RSS0188
92	TOP	SMD	R54	10R0	RES,CHIP,0805,1%,METAL-FILM	RSS0188
93	TOP	SMD	R55	10K0	RES,CHIP,1206,1%,METAL-FILM	RSS0015
94	TOP	SMD	R56	OMIT	OMIT,RES,CHIP,0805,1%,METAL-FILM	OMIT-RM08
95	TOP	SMD	R57	10R0	RES,CHIP,0805,1%,METAL-FILM	RSS0188
96	TOP	SMD	R58	10R0	RES,CHIP,0805,1%,METAL-FILM	RSS0188
97	TOP	SMD	R59	10K0	RES,CHIP,1206,1%,METAL-FILM	RSS0015
98	TOP	SMD	R6	150R	RES,CHIP,0805,1%,METAL-FILM	RSS0004
99	TOP	SMD	R60	10K0	RES,CHIP,0805,1%,METAL-FILM	RSS0002
100	TOP	SMD	R61	OMIT	OMIT,RES,CHIP,0805,1%,METAL-FILM	OMIT-RM08
101	TOP	SMD	R62	49R9	RES,CHIP,0805,1%,METAL-FILM	RSS0163
102	TOP	SMD	R63	49R9	RES,CHIP,0805,1%,METAL-FILM	RSS0163
103	TOP	SMD	R64	392R	RES,CHIP,0805,1%,METAL-FILM	RSS0197
104	TOP	SMD	R65	392R	RES,CHIP,0805,1%,METAL-FILM	RSS0197
105	TOP	SMD	R66	392R	RES,CHIP,0805,1%,METAL-FILM	RSS0197
106	TOP	SMD	R67	392R	RES,CHIP,0805,1%,METAL-FILM	RSS0197
107	TOP	SMD	R68	392R	RES,CHIP,0805,1%,METAL-FILM	RSS0197
108	TOP	SMD	R69	392R	RES,CHIP,0805,1%,METAL-FILM	RSS0197

Bill of Materials

6710 Bertram Place
 Victoria, BC
 Canada V8M 1Z6
 TEL 250 544 4091
 FAX 250 544 4100
 www.iml.com



Job Name :PDC0146-D03 VMX DISPLAY

Extraction Date: 02/01/01 02:19:24

Item	Side	Comp Type	Ref	Value	Description	Visual Part:
109	TOP	SMD	R7	150R	RES,CHIP,0805,1%,METAL-FILM	RSS0004
110	TOP	SMD	R70	392R	RES,CHIP,0805,1%,METAL-FILM	RSS0197
111	TOP	SMD	R71	392R	RES,CHIP,0805,1%,METAL-FILM	RSS0197
112	TOP	SMD	R72	392R	RES,CHIP,0805,1%,METAL-FILM	RSS0197
113	TOP	SMD	R73	1K00	RES,CHIP,0805,1%,METAL-FILM	RSS0007
114	TOP	SMD	R74	1K00	RES,CHIP,0805,1%,METAL-FILM	RSS0007
115	TOP	SMD	R75	10K0	RES,CHIP,0805,1%,METAL-FILM	RSS0002
116	TOP	SMD	R76	332R	RES,CHIP,0805,1%,METAL-FILM	RSS0086
117	TOP	SMD	R77	10K0	RES,CHIP,0805,1%,METAL-FILM	RSS0002
118	TOP	SMD	R78	10K0	RES,CHIP,0805,1%,METAL-FILM	RSS0002
119	TOP	SMD	R79	2K21	RES,CHIP,0805,1%,METAL-FILM	RSS0093
120	TOP	SMD	R8	150R	RES,CHIP,0805,1%,METAL-FILM	RSS0004
121	TOP	SMD	R80	0R00	RES,CHIP,0805,1%,METAL-FILM	RSS0037
122	TOP	SMD	RN1	10K0	RES NETWORK, CHIP, 1206, 5%, CARBON FILM	RSS0182
123	TOP	SMD	RN2	10K0	RES NETWORK, CHIP, 1206, 5%, CARBON FILM	RSS0182
124	TOP	SMD	RN3	10K0	RES NETWORK, CHIP, 1206, 5%, CARBON FILM	RSS0182
125	TOP	SMD	RN4	10K0	RES NETWORK, CHIP, 1206, 5%, CARBON FILM	RSS0182
126	TOP	SMD	RN5	10K0	RES NETWORK, CHIP, 1206, 5%, CARBON FILM	RSS0182
127	TOP	SMD	RN6	10K0	RES NETWORK, CHIP, 1206, 5%, CARBON FILM	RSS0182
128	TOP	SMD	U1	74HC165AD	74HC165AD, PARALLEL IN/SERIAL OUT 8 BIT SHIFT REG, SOIC16	ICS0132
129	TOP	SMD	U10	74HC595AD	74HC595AD, 8 BIT SHIFT REG WITH LATCH, SOIC16	ICS0133
130	TOP	SMD	U11	74HC595AD	74HC595AD, 8 BIT SHIFT REG WITH LATCH, SOIC16	ICS0133
131	TOP	SMD	U12	TL072CD	TL072CD DUAL FET OPAMP SOIC8	ICS0035
132	TOP	SMD	U13	NJU211M	NJU211M QUAD ANALOG SWITCH, SOIC16	ICS0127
133	TOP	SMD	U2	74HC165AD	74HC165AD, PARALLEL IN/SERIAL OUT 8 BIT SHIFT REG, SOIC16	ICS0132
134	TOP	SMD	U3	74HC595AD	74HC595AD, 8 BIT SHIFT REG WITH LATCH, SOIC16	ICS0133
135	TOP	SMD	U4	74HC165AD	74HC165AD, PARALLEL IN/SERIAL OUT 8 BIT SHIFT REG, SOIC16	ICS0132
136	TOP	SMD	U5	LM833D	LM833D DUAL FET OPAMP SOIC8	ICS0034
137	TOP	SMD	U6	INA103KU	INA103KU Low Noise, Low Distortion Instrumentation Amp	ICS0061
138	TOP	SMD	U8	74HC595AD	74HC595AD, 8 BIT SHIFT REG WITH LATCH, SOIC16	ICS0133
139	TOP	SMD	U9	74HC595AD	74HC595AD, 8 BIT SHIFT REG WITH LATCH, SOIC16	ICS0133
140	TOP	THRU_COMP	C1	100U	CAP, ELECTROLYTIC RADIAL, RAD13X20, 20%, 100V	CPT0031
141	TOP	THRU_COMP	C10	100U	CAP,NON-POLAR ELECTROLYTIC RADIAL, RAD13X25, 20%, 63V	CPT0001
142	TOP	THRU_COMP	C2	10U	CAP,NON-POLAR ELECTROLYTIC RADIAL, RAD5X7, 20%, 16V	CPT0079
143	TOP	THRU_COMP	C4	10U	CAP, ELECTROLYTIC RADIAL, RAD5X11, 20%, 25V	CPT0033
144	TOP	THRU_COMP	C7	10U	CAP, ELECTROLYTIC RADIAL, RAD5X11, 20%, 25V	CPT0033
145	TOP	THRU_COMP	C9	100U	CAP,NON-POLAR ELECTROLYTIC RADIAL, RAD13X25, 20%, 63V	CPT0001
146	TOP	THRU_COMP	ENC1	Alps EC11E18 Encoder	Alps EC11E18 Series Low Profile Encoder with Switch	SWT0032
147	TOP	THRU_COMP	ENC2	Alps EC11E18 Encoder	Alps EC11E18 Series Low Profile Encoder with Switch	SWT0032
148	TOP	THRU_COMP	ENC3	Alps EC11E18 Encoder	Alps EC11E18 Series Low Profile Encoder with Switch	SWT0032
149	TOP	THRU_COMP	ENC4	Alps EC11E18 Encoder	Alps EC11E18 Series Low Profile Encoder with Switch	SWT0032
150	TOP	THRU_COMP	ENC5	ENCODER WITH SWITCH	Alps encoder with switch	SWT0026
151	TOP	THRU_COMP	J1	B3B-ZR	HDR 1x3, 1.5mm Spacing, B3B-ZR	HDT0002
152	TOP	THRU_COMP	J11	B6BPHK	HDR 1x6, 2mm Spacing, B6BPHK	HDT0067
153	TOP	THRU_COMP	J17	B10BPHK	HDR 1x10, 2mm Spacing, B10BPHK	HDT0011
154	TOP	THRU_COMP	J2	B5BPHK	HDR 1x5, 2mm Spacing, B5BPHK	HDT0006
155	TOP	THRU_COMP	J4	1x3 1.5mm Harness	Harness 1x3, 1.5mm Spacing, 3.0" Length	HRN0026
156	TOP	THRU_COMP	J5	YKB21-5138	Stereo 1/4" Jack with Gold metal ring	JCK0044
157	TOP	THRU_COMP	J6	NC3FAH2	NC3FAH2, FEMALE XLR CONNECTOR	JCK0025
158	TOP	THRU_COMP	LED17	RED	RED,LED,T1 Rectangular 2mm x 5mm	LDT0012
159	TOP	THRU_COMP	LED18	YELLOW	YELLOW,LED,T1 Rectangular 2mm x 5mm	LDT0013
160	TOP	THRU_COMP	LED19	GREEN	GREEN,LED,T1 Rectangular 2mm x 5mm	LDT0011
161	TOP	THRU_COMP	LED20	GREEN	GREEN,LED,T1 Rectangular 2mm x 5mm	LDT0011
162	TOP	THRU_COMP	LED23	GREEN	GREEN,LED,T1 Rectangular 2mm x 5mm	LDT0011

Bill of Materials

6710 Bertram Place
Victoria, BC
Canada V8M 1Z6
TEL 250 544 4091
FAX 250 544 4100
www.iml.com



Job Name :PDC0146-D03 VMX DISPLAY

Extraction Date: 02/01/01 02:19:24

<u>Item</u>	<u>Side</u>	<u>Comp Type</u>	<u>Ref</u>	<u>Value</u>	<u>Description</u>	<u>Visual Part:</u>
163	TOP	THRU_COMP	LED24	GREEN	GREEN,LED,T1 Rectangular 2mm x 5mm	LDT0011
164	TOP	THRU_COMP	LED25	GREEN	GREEN,LED,T1 Rectangular 2mm x 5mm	LDT0011
165	TOP	THRU_COMP	LED26	GREEN	GREEN,LED,T1 Rectangular 2mm x 5mm	LDT0011
166	TOP	THRU_COMP	LED27	GREEN	GREEN,LED,T1 Rectangular 2mm x 5mm	LDT0011
167	TOP	THRU_COMP	LED28	GREEN	GREEN,LED,T1 Rectangular 2mm x 5mm	LDT0011
168	TOP	THRU_COMP	LED29	YELLOW	YELLOW,LED,T1 Rectangular 2mm x 5mm	LDT0013
169	TOP	THRU_COMP	LED30	YELLOW	YELLOW,LED,T1 Rectangular 2mm x 5mm	LDT0013
170	TOP	THRU_COMP	LED31	BC5611GWA	7 SEG 3 DIGIT LED DISPLAY, GREEN, BC5611GWA, COMMON CATHODE	DIS0013
171	TOP	THRU_COMP	LED32	GREEN	GREEN,LED,T1 Rectangular 2mm x 5mm	LDT0011
172	TOP	THRU_COMP	LED33	GREEN	GREEN,LED,T1 Rectangular 2mm x 5mm	LDT0011
173	TOP	THRU_COMP	Q2	2N3904	2N3904 NPN Transistor, TO92	TRT0003
174	TOP	THRU_COMP	Q3	2N2907	2N2907 PNP Transistor, TO92	TRT0002
175	TOP	THRU_COMP	Q4	2N3904	2N3904 NPN Transistor, TO92	TRT0003
176	TOP	THRU_COMP	Q5	2N2907	2N2907 PNP Transistor, TO92	TRT0002
177	TOP	THRU_COMP	SW1	SPST ARROW	VMX Page Arrow Elastomer Keypad	RUB0019
178	TOP	THRU_COMP	SW2	SPST 8 Button	VMX 8 Button Elastomer Keypad	RUB0021
179	TOP	THRU_COMP	SW3	SPST 5 Button	VMX 5 Button Elastomer Keypad	RUB0020
180	TOP	THRU_COMP	SW4	SPST 5 Button	VMX 5 Button Elastomer Keypad	RUB0020
181	TOP	THRU_COMP	SW5	NE18-2UP	NE18 POWER SWITCH DPDT WITH SOLDER PINS ONLY	SWT0008
182	TOP	THRU_COMP	VR1	100K	100K, A-Taper, Dual, 14mm, D-Shaft, Horizontal	POT0046