

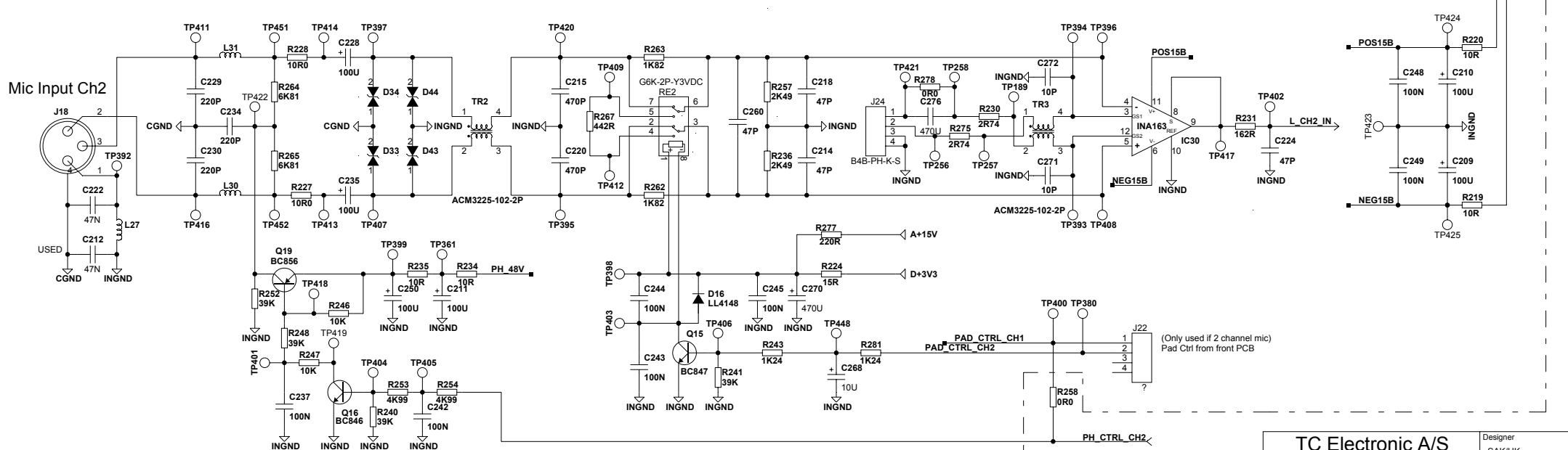
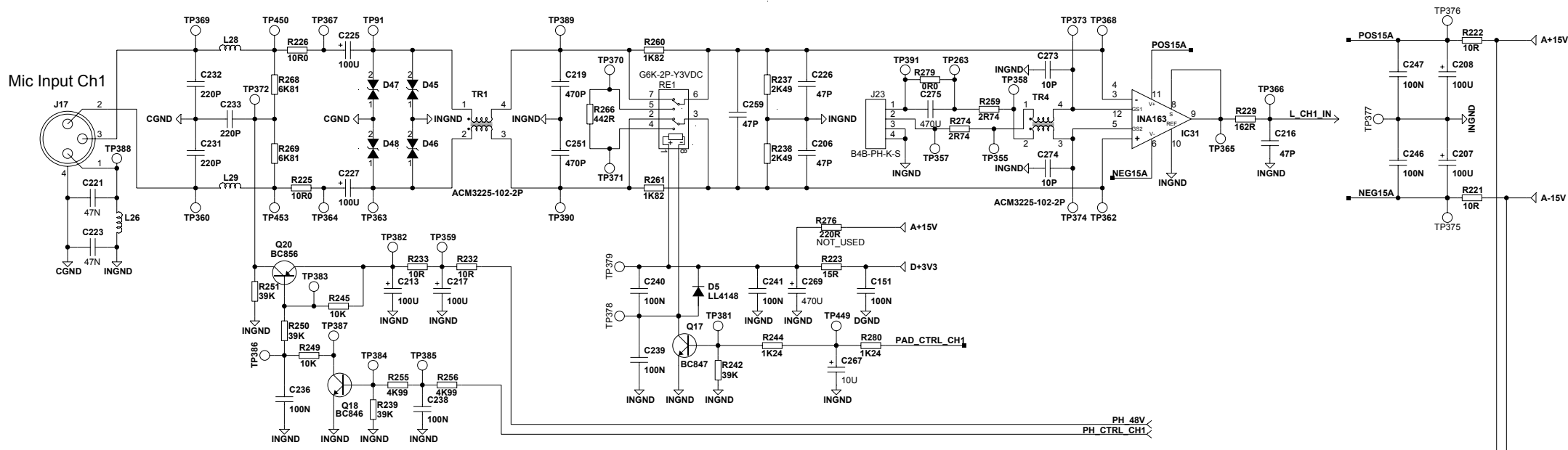
INTERFACE

- SPI_MOSI
- DSP_SS*
- SPI_MISO
- SPI_CLK
- SPI_DOWNLOAD
- DSP_RESET
- PEDAL_IMP_SEL

Page 11

PCB V6/V4 MAINBOARD
P16006-A
M10

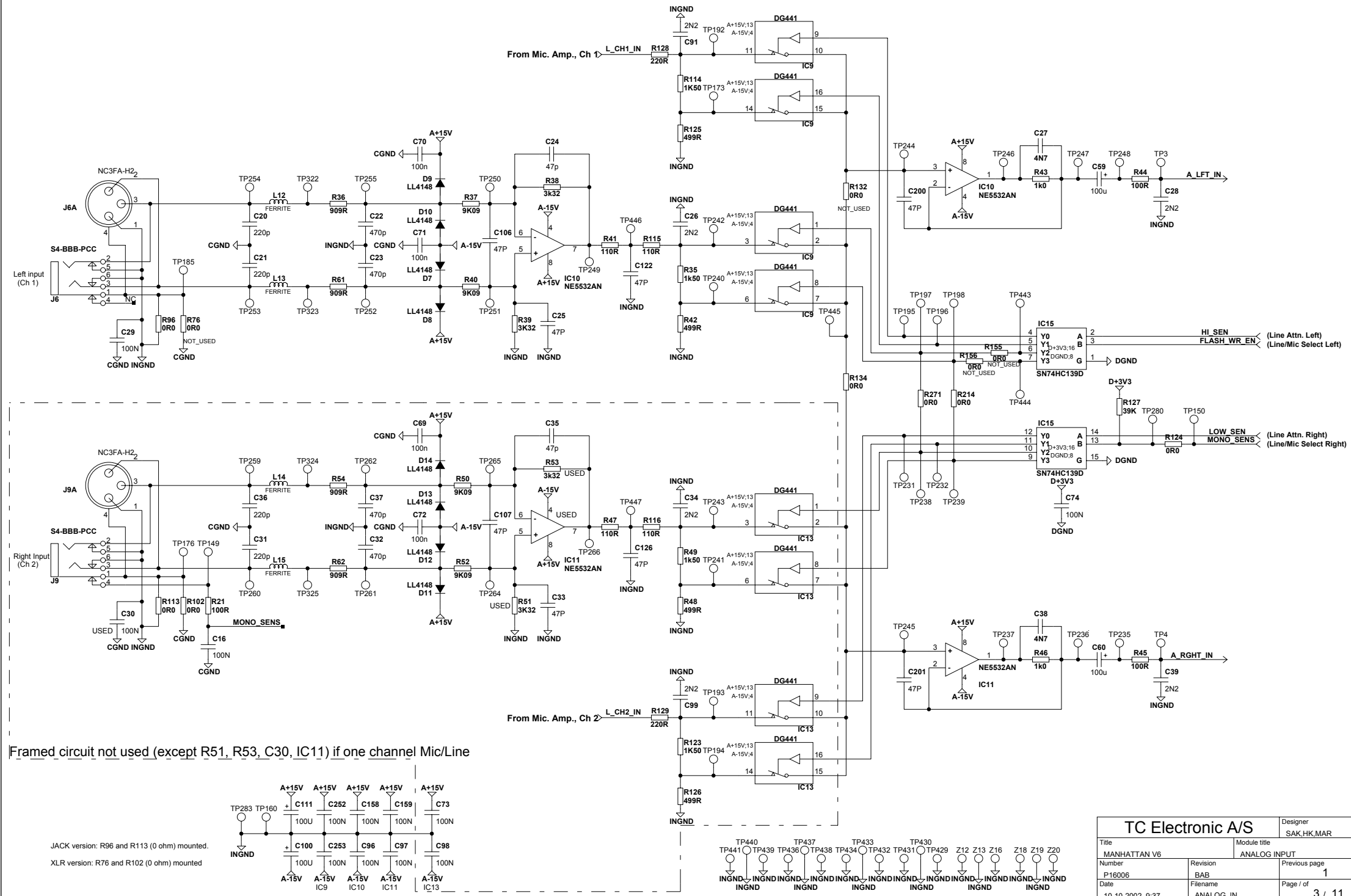
TC Electronic A/S		Designer	MAR.HK.SAK
Title MANHATTAN V6		Module title BLOCK LEVEL SCHEMATIC	
Number P16006	Revision BAB	Previous page XX	
Date 10-10-2002 9:41	Filename P16006-B	Page / of 1 / 11	



Framed circuit not used (except C212) if one channel Mic.

R258 not mounted if Pad Ctrl from front PCB

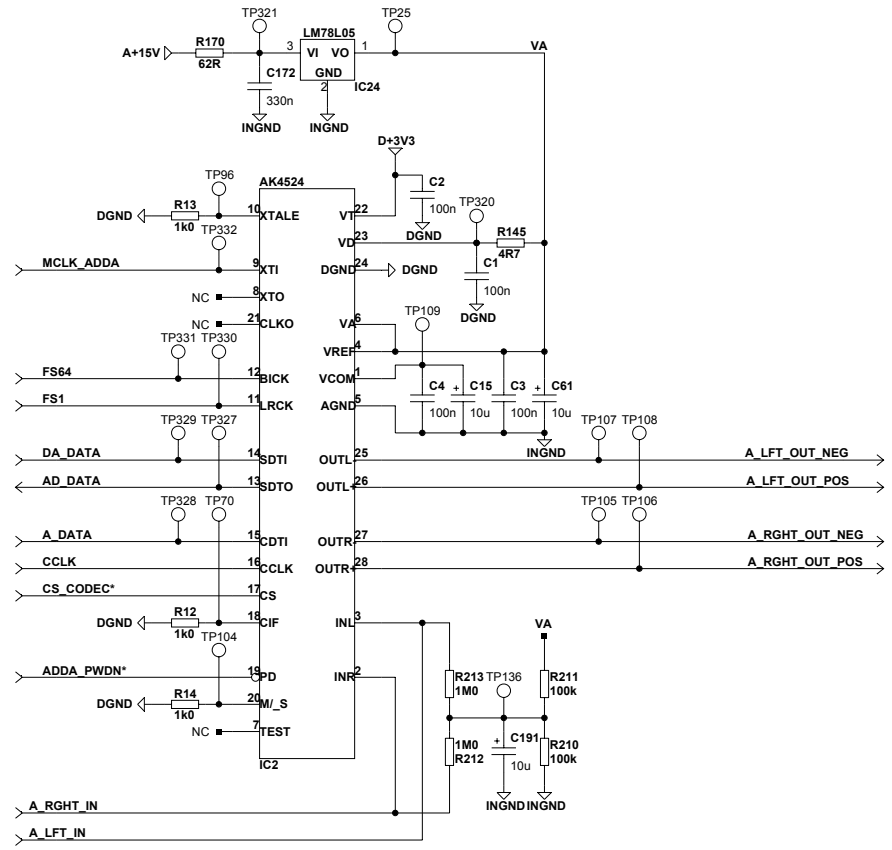
TC Electronic A/S		Designer SAK/HK
Title MANHATTAN V6	Module title MIC INPUT	
Number P16006	Revision BAB	Previous page 1
Date 10-10-2002 9:39	Filename MIC_IN	Page / of 2 / 11

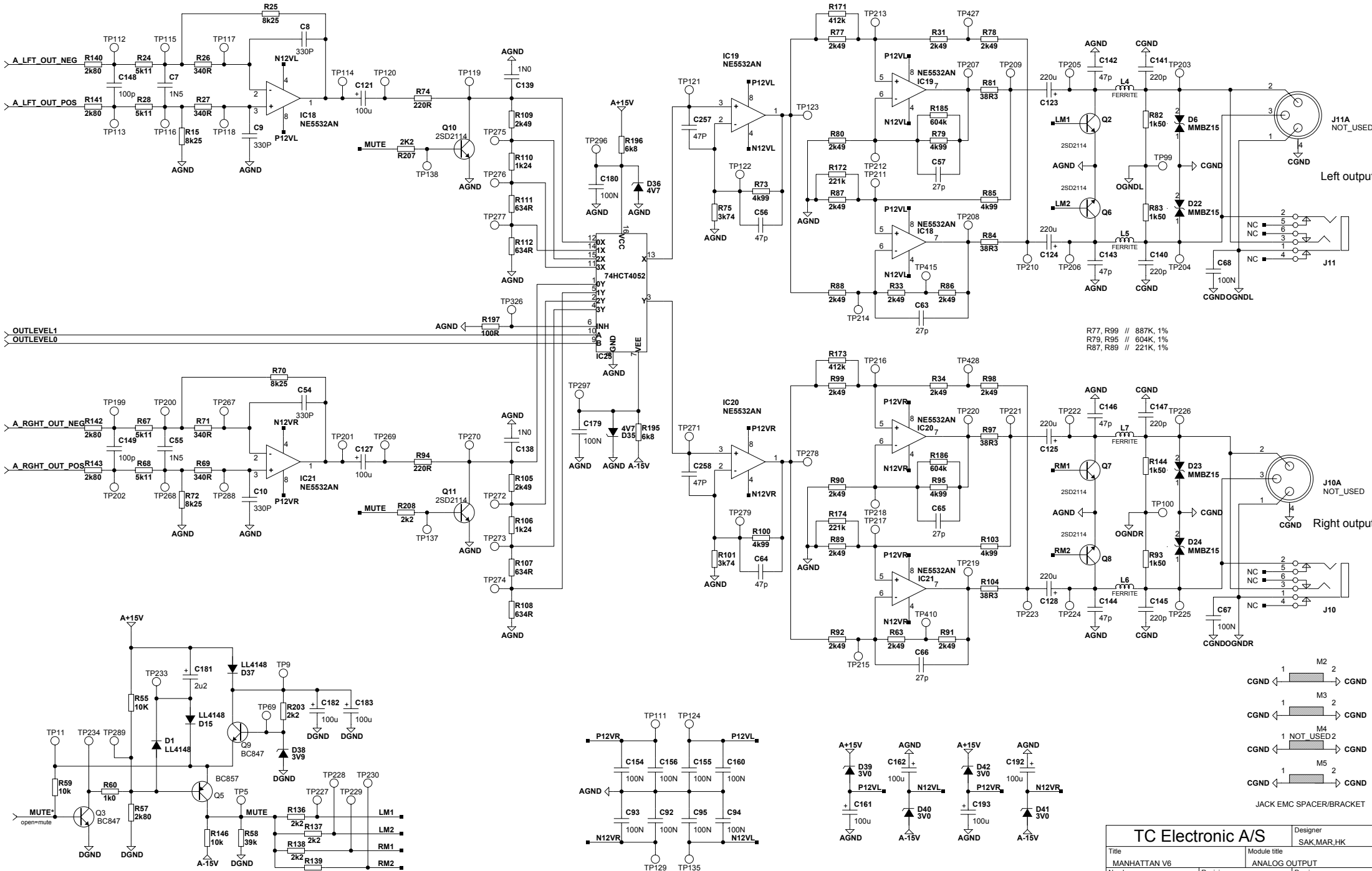


Framed circuit not used (except R51, R53, C30, IC11) if one channel Mic/Line

JACK version: R96 and R113 (0 ohm) mounted.
XLR version: R76 and R102 (0 ohm) mounted

TC Electronic A/S Title: MANHATTAN V6 Number: P16006 Date: 10-10-2002 9:37		Designer: SAK,HK,MAR Module title: ANALOG INPUT Previous page: 1
		Page / of: 3 / 11





R77, R99 // 887K, 1%
R79, R95 // 604K, 1%
R87, R89 // 221K, 1%

OUTLEVEL1
OUTLEVEL0

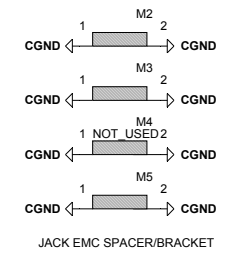
Left output

Right output

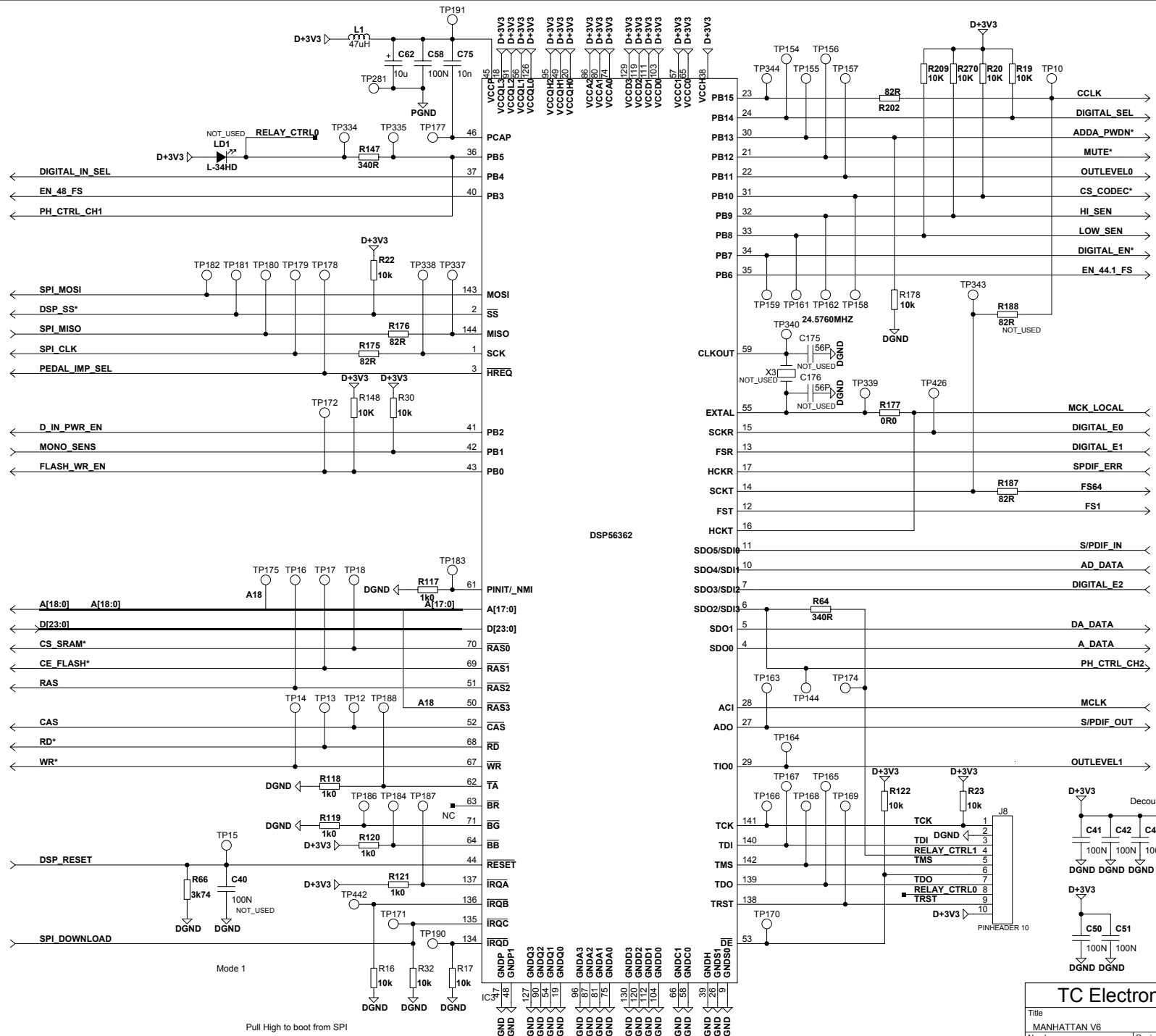
Mute circuit

Decoupling for Analog

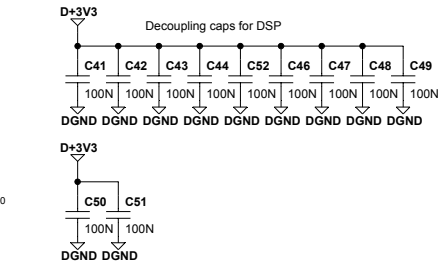
Power for output stage amplifiers



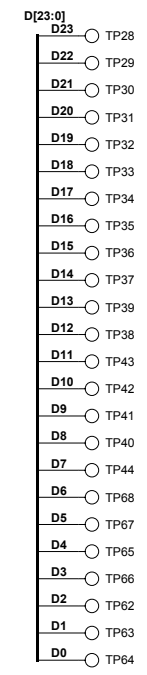
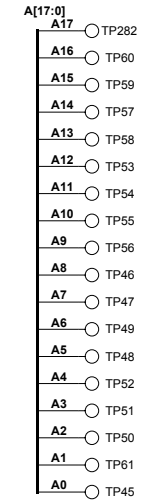
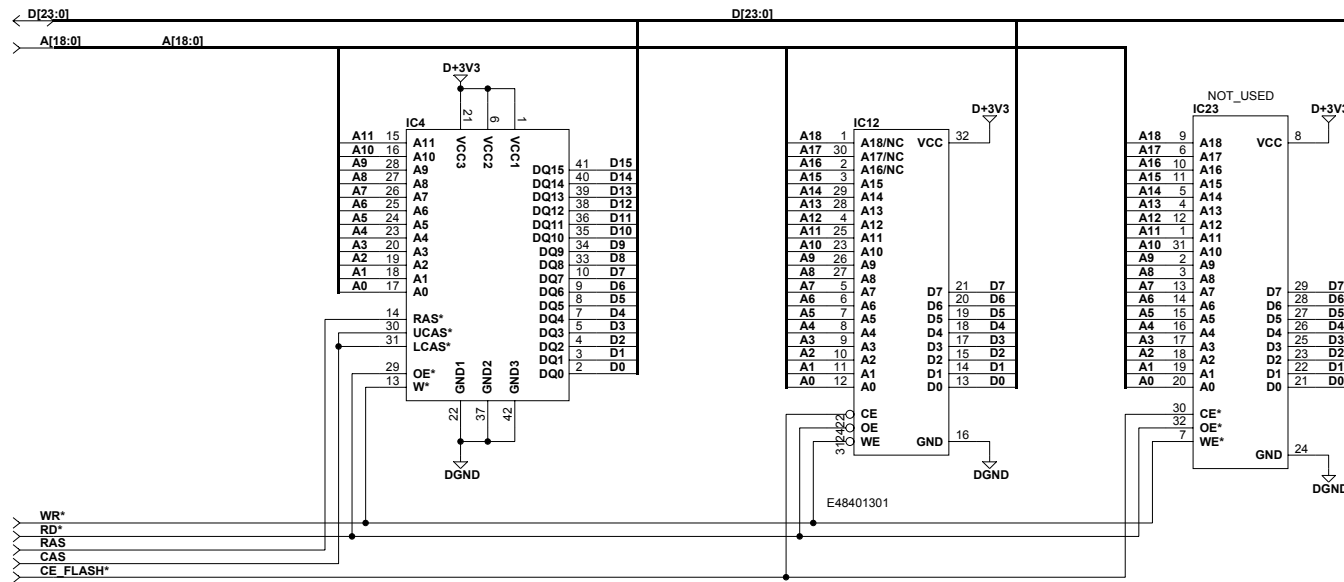
TC Electronic A/S		Designer	SAK, MAR, HK
Title	MANHATTAN V6	Module title	ANALOG OUTPUT
Number	P16006	Revision	BAB
Date	10-10-2002 9:41	Filename	ANALOG_OUT
		Page / of	1 / 11



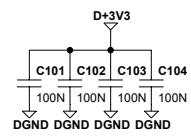
Mode 1
Pull High to boot from SPI
Boot from Ext. 8 bit memory



TC Electronic A/S		Designer MAR
Title MANHATTAN V6		Module title DSP
Number P16006	Revision BAB	Previous page 1
Date 10-10-2002 9:40	Filename DSP	Page / of 6 / 11

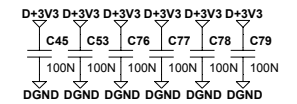
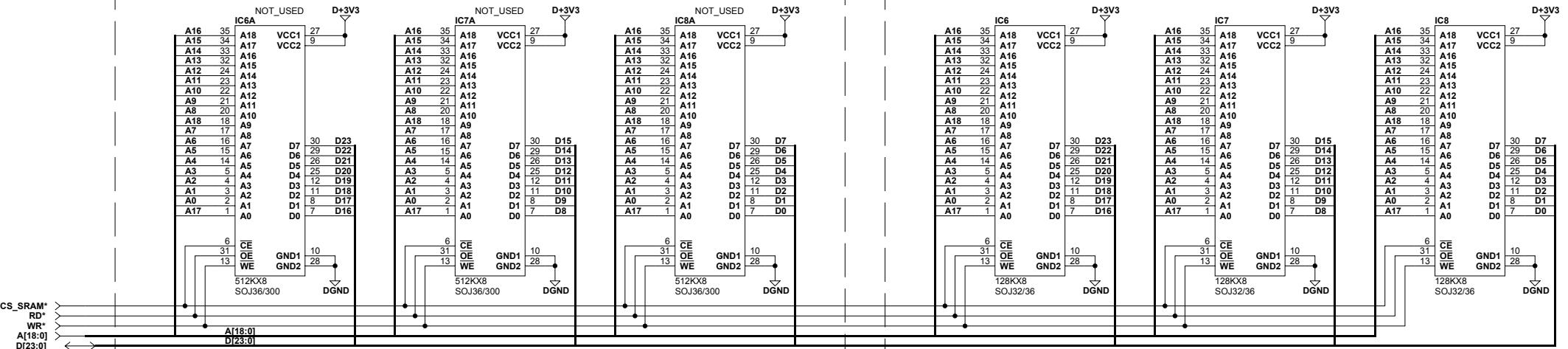


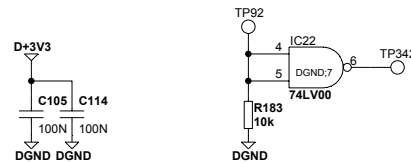
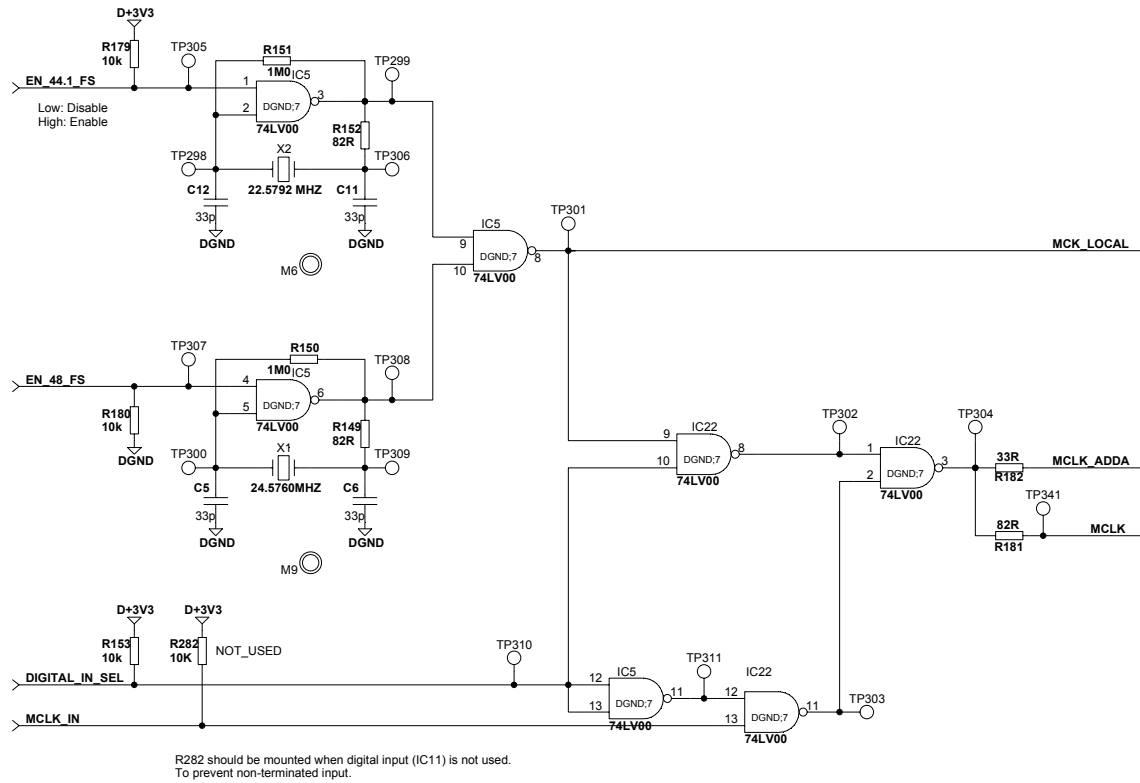
Note: Only one of the Flash types are mounted



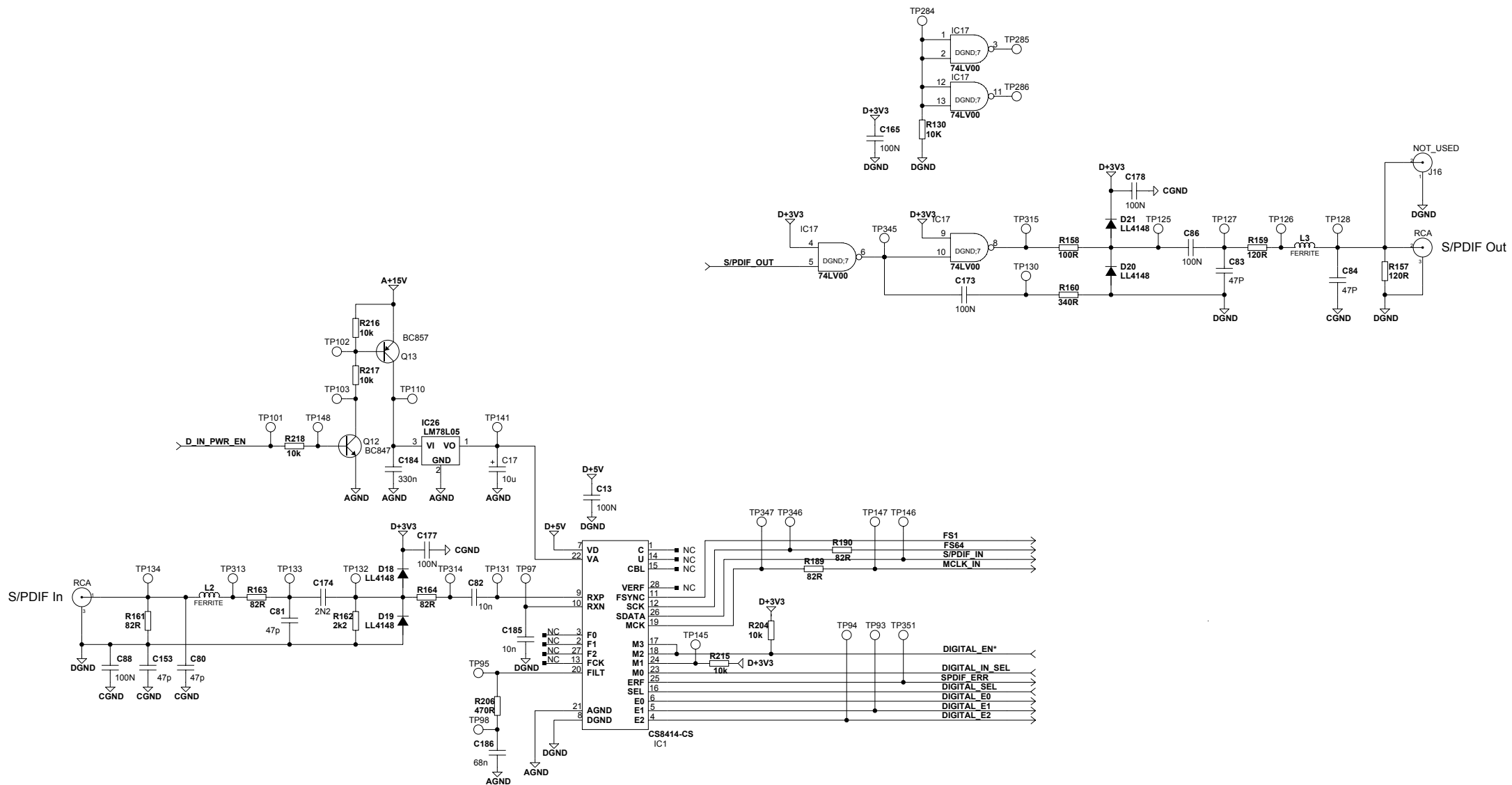
SOJ36/300 mil - 128k/512k

SOJ36/400 mil - 128k/512k



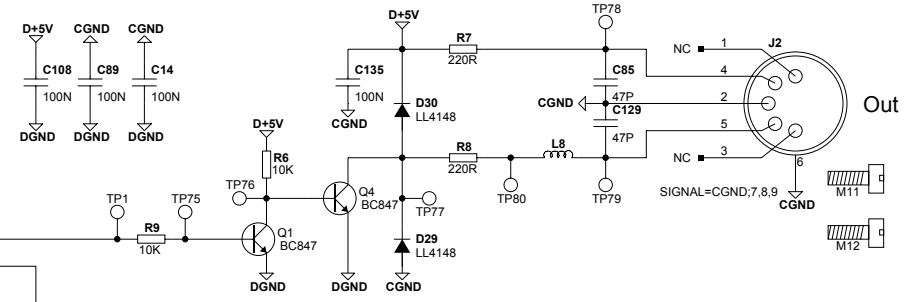
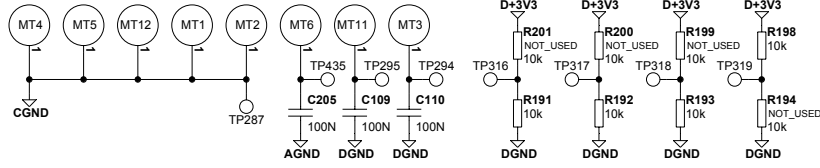


Title MANHATTAN V6		Module title CLOCK		Designer MAR
Number P16006	Revision BAB	Previous page 1		
Date 10-10-2002 9:40	Filename CLOCK	Page / of 9 / 11		

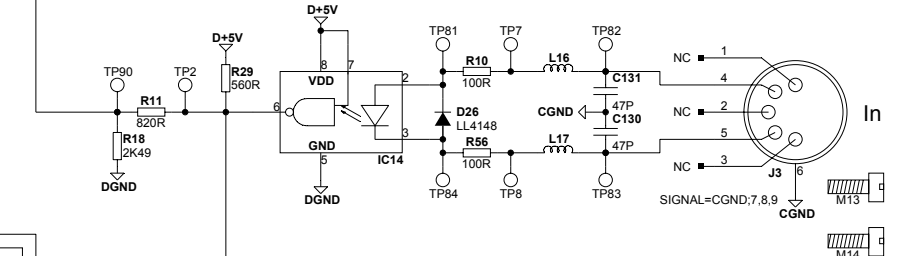
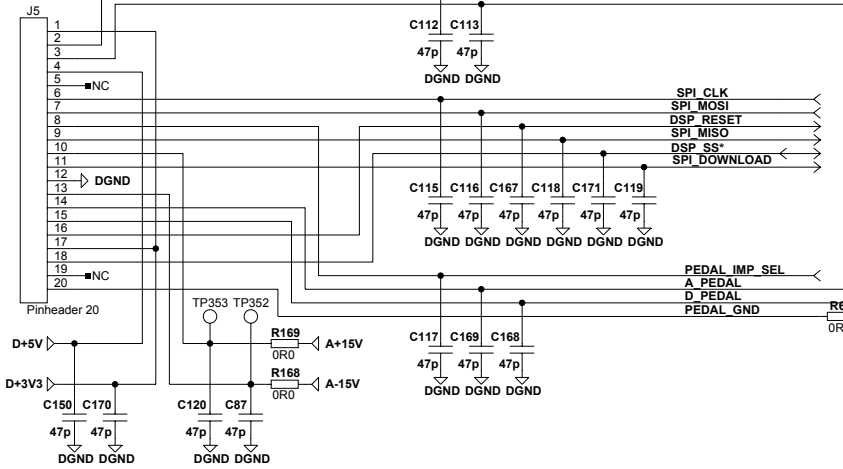


TC Electronic A/S Title MANHATTAN V6		Designer MAR	
		Module title DIGITAL INPUT/OUTPUT	
Number P16006	Revision BAB	Previous page 1	
Date 10-10-2002 9:40	Filename DIGITAL_IO	Page / of 10 / 11	

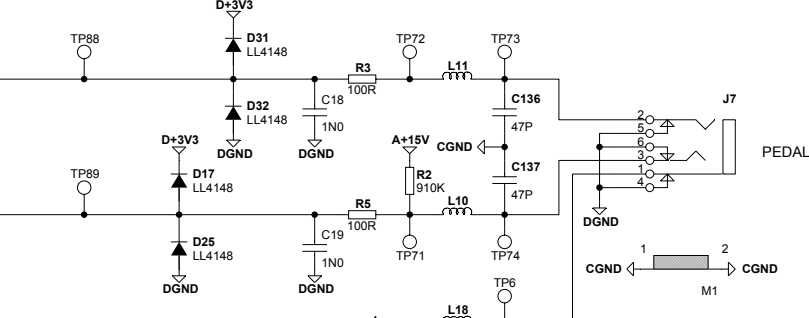
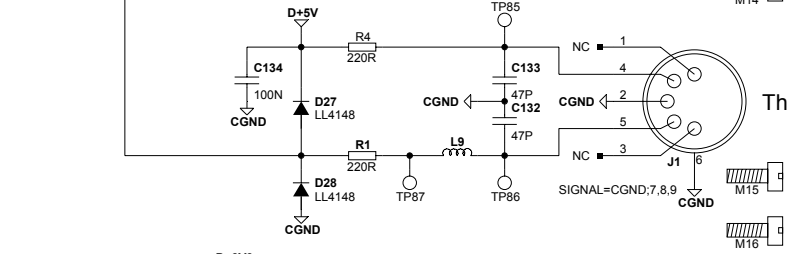
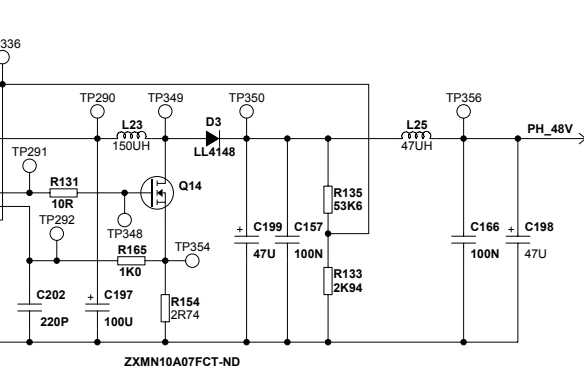
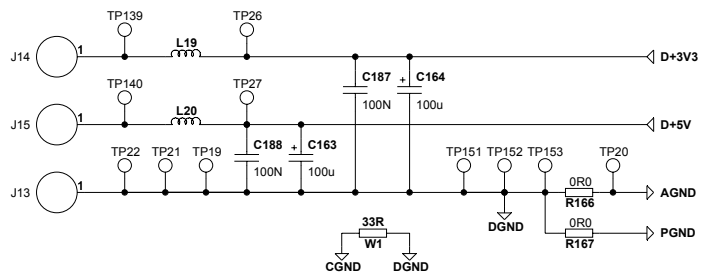
PCB Revision strap field.



Front Conn.



Power Supply Connection



TC Electronic A/S Title: MANHATTAN V6 Number: P16006 Date: 10-10-2002 9:41		Designer: SAK,MAR Module title: INTERFACE TO FRONT AND POWER Previous page: 1	
		Revision: BAB Filename: INTERFACE	Page / of: 11 / 11