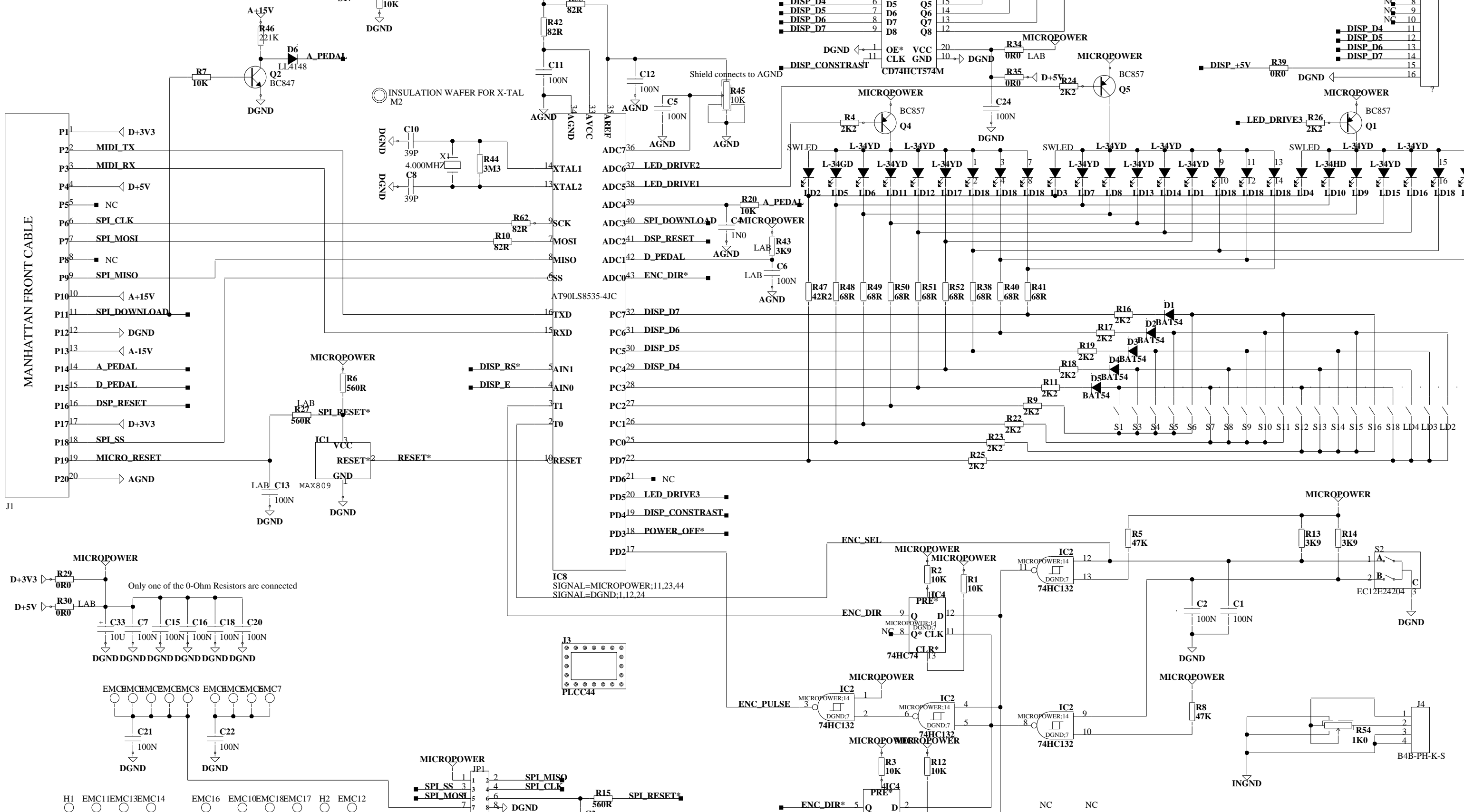
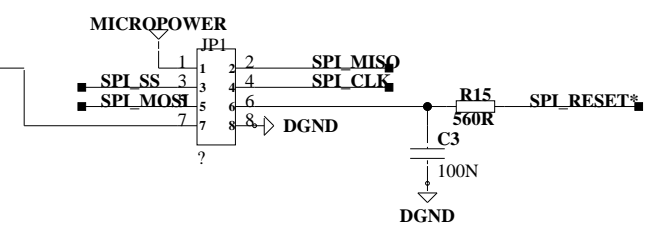
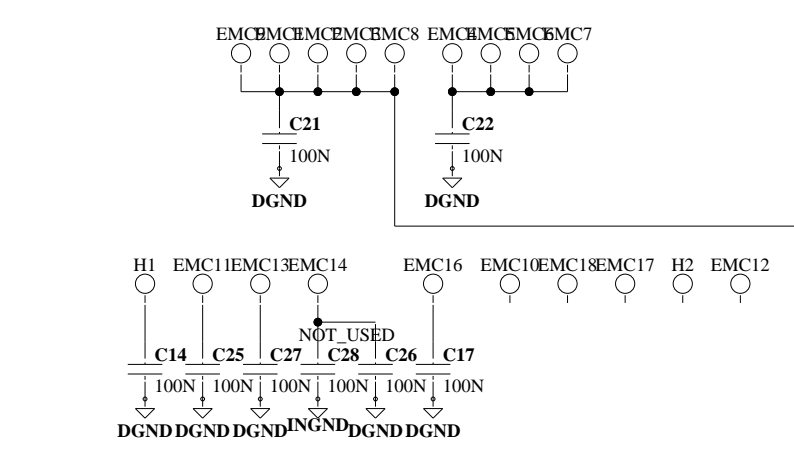
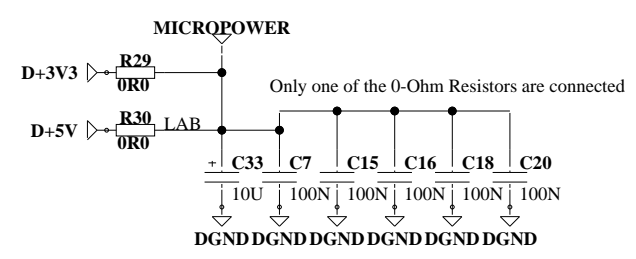


PCB V6 FRONTPANEL

P16507-A
M1



MANHATTAN FRONT CABLE



TC Electronic A/S		Designer HK
Title TCH V6		Module title FRONTPANEL V6
Number P16507-B	Revision BAA	Previous page
Date 8-26-2002 14:06	Filename P16507-B	Page / of 1 / 1