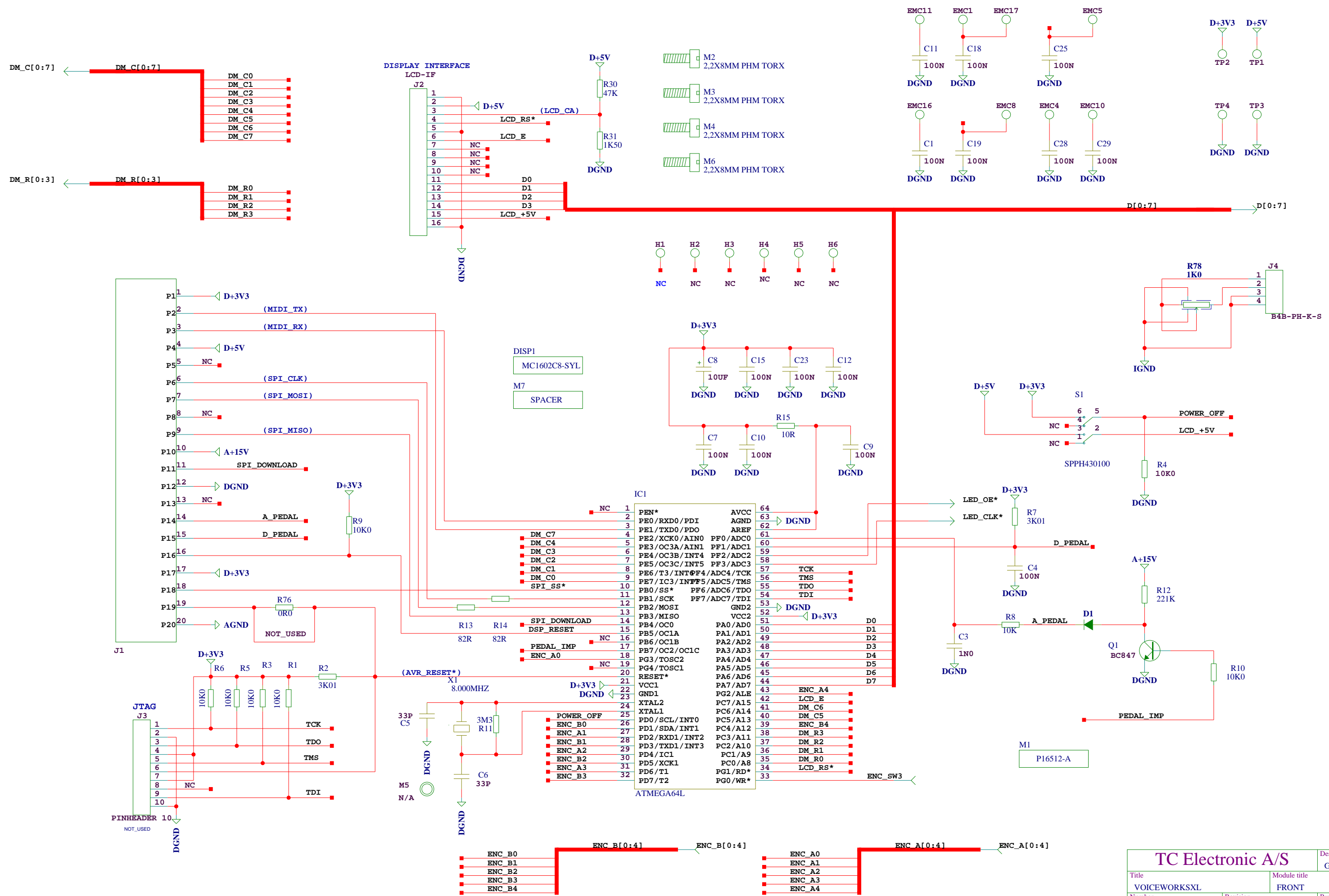
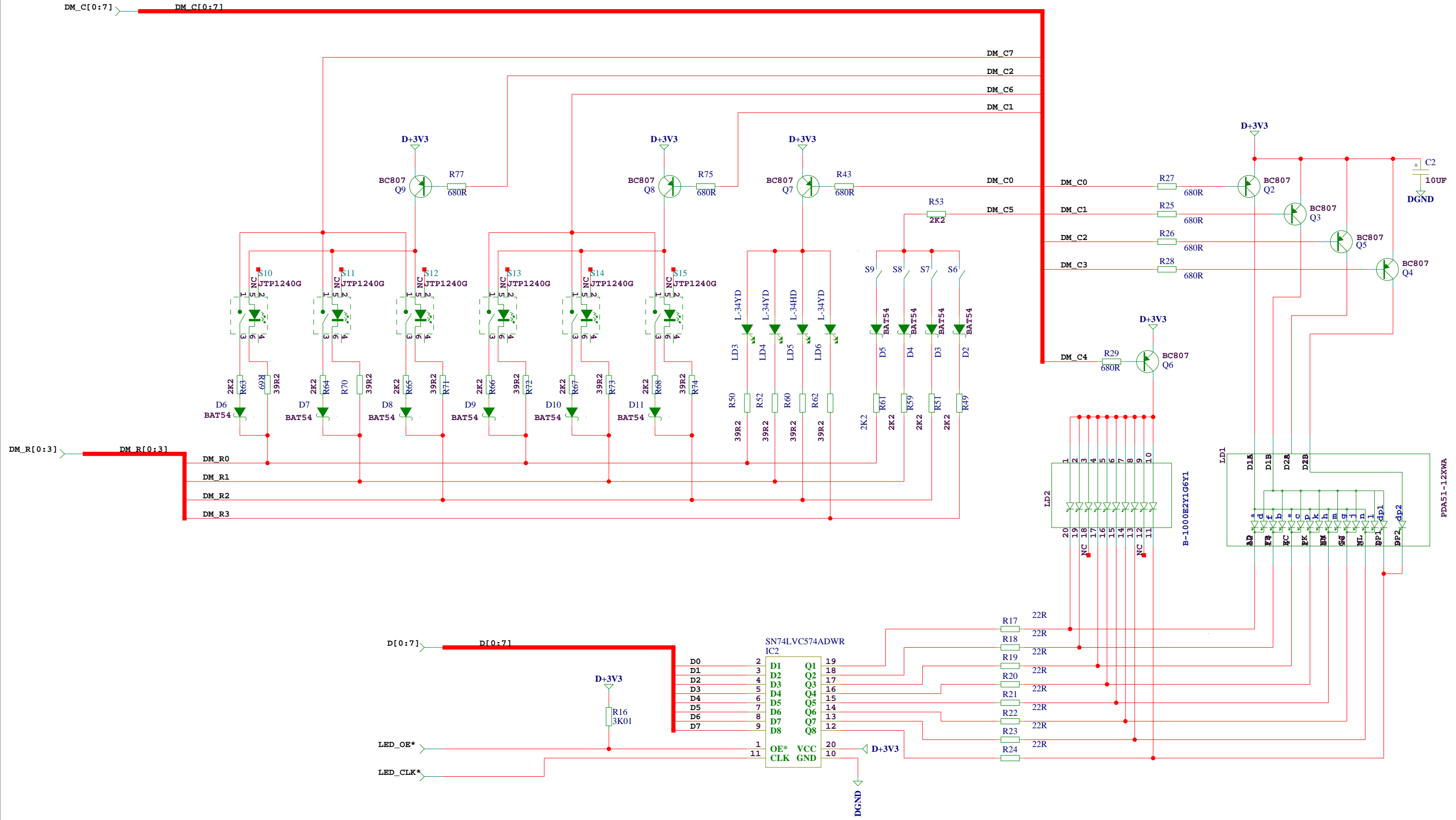


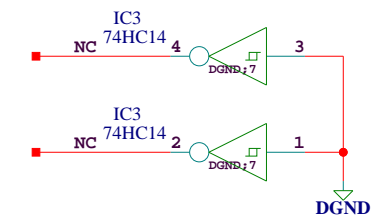
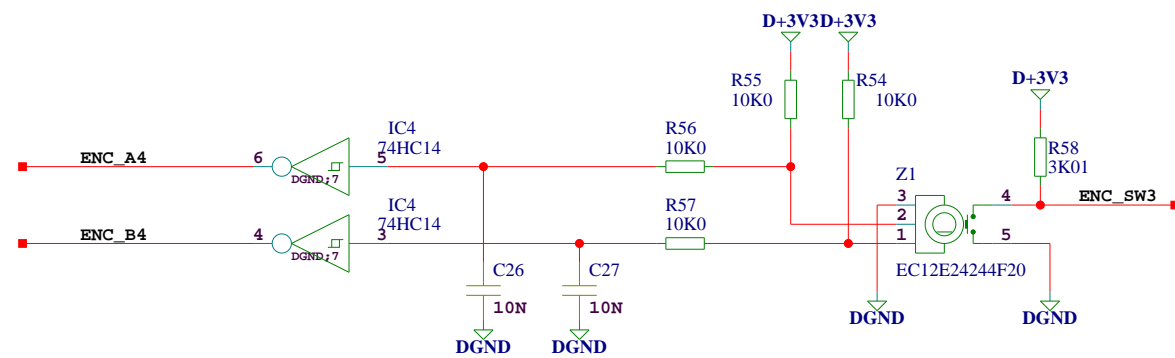
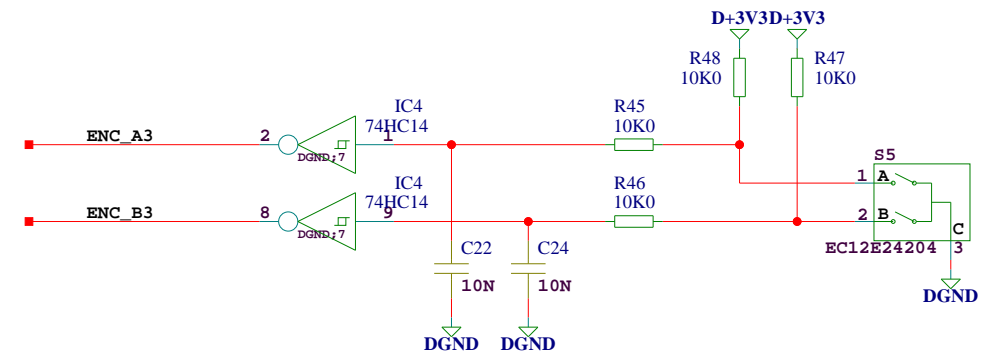
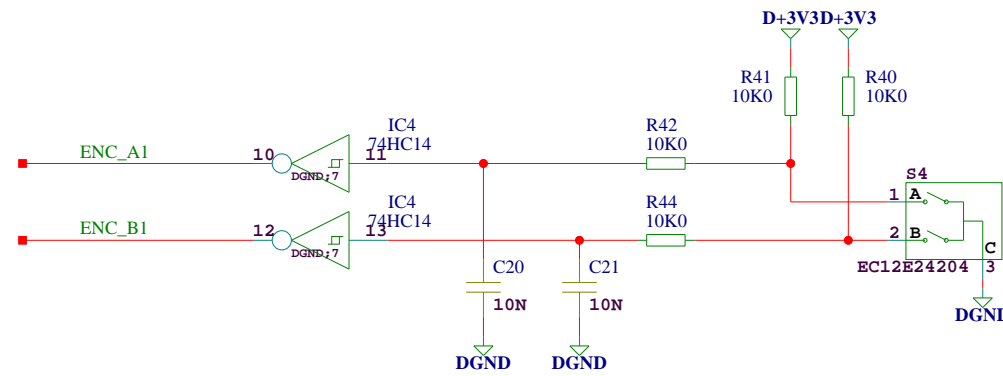
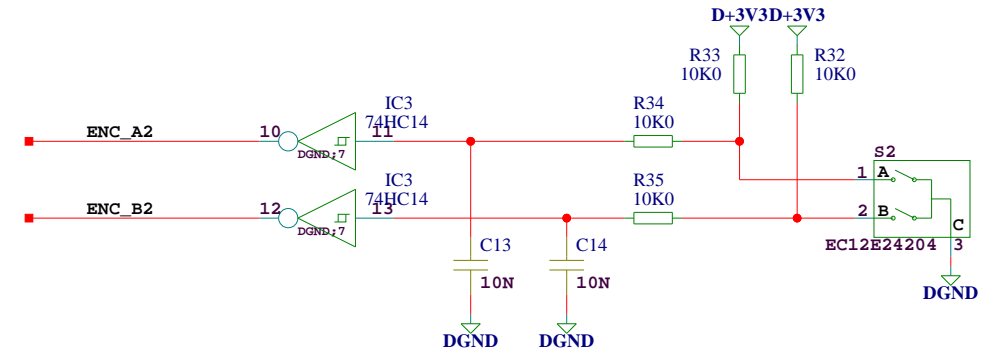
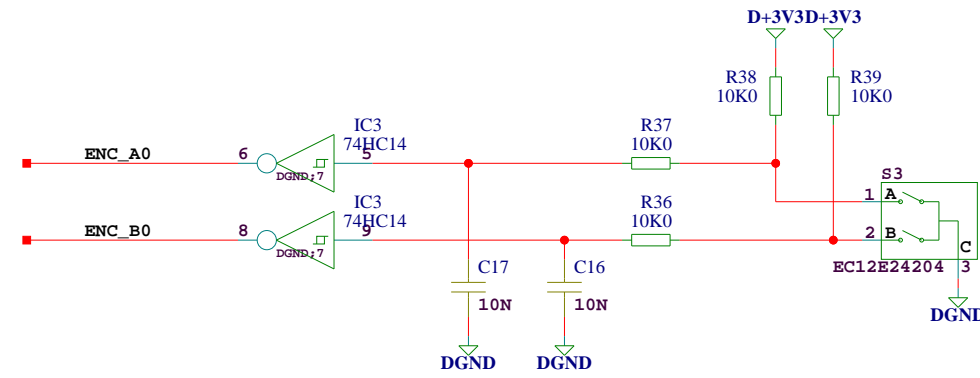
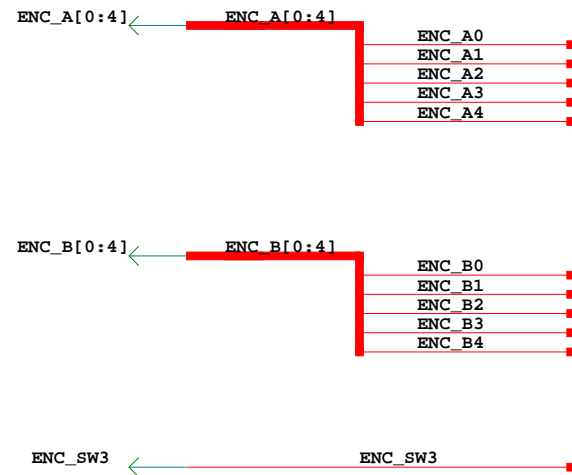
TC Electronic A/S		Designer GIA
Title VOICEWORKSXL		Module title FRONT
Number P16512-B	Revision BAA	Previous page XX
Date 1-12-2007_12:20	Filename P16512-A	Page / of XX / XX



TC Electronic A/S		Designer GIA
Title VOICEWORKSXL		Module title FRONT
Number P16512-B	Revision BAA	Previous page XX
Date 1-18-2007_21:47	Filename P16511_MH	Page / of XX / XX



TC Electronic A/S		Designer GIA
Title VOICWORKSXL		Module title FRONT
Number P16512-B	Revision BAA	Previous page XX
Date 1-18-2007_21:48	Filename LED_DRIVER	Page / of XX / XX



TC Electronic A/S		Designer GIA
Title VOICEWORKSXL		Module title FRONT
Number P16512-B	Revision BAA	Previous page XX
Date 1-18-2007_21:47	Filename ROTARY_ENCODER	Page / of XX / XX