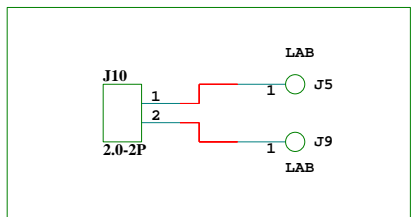
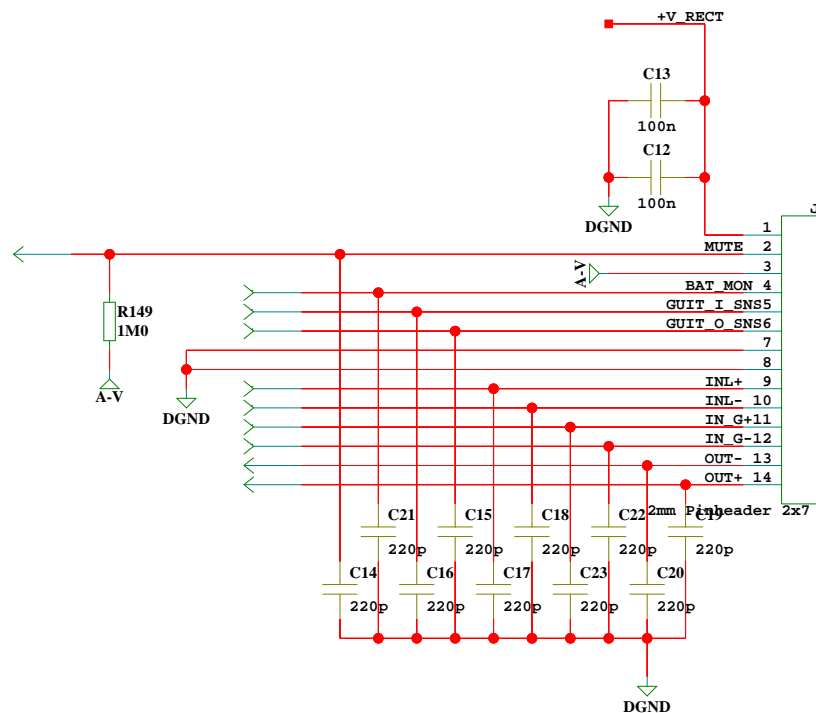


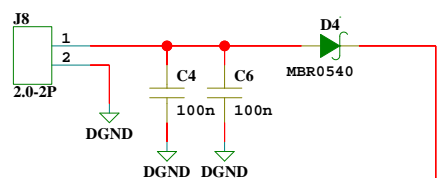
### BATTERY BOARD



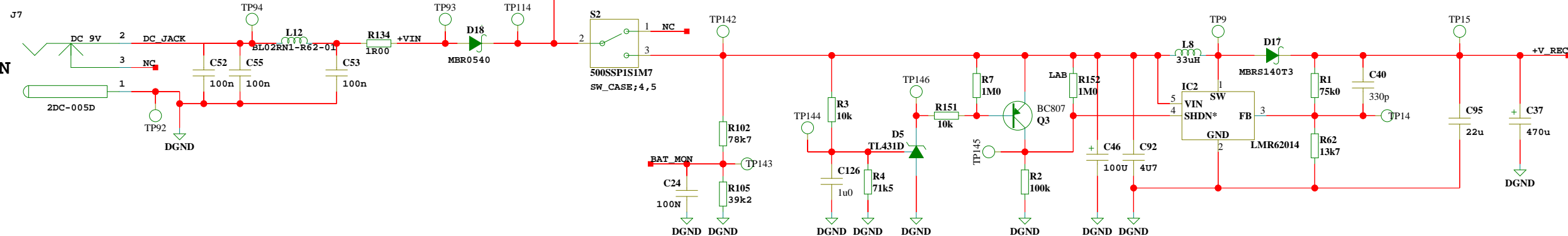
### MAIN BRD. CONN.



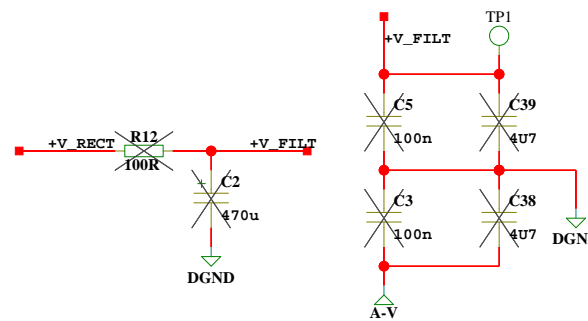
### BATTERY CONN.



### DC PWR IN

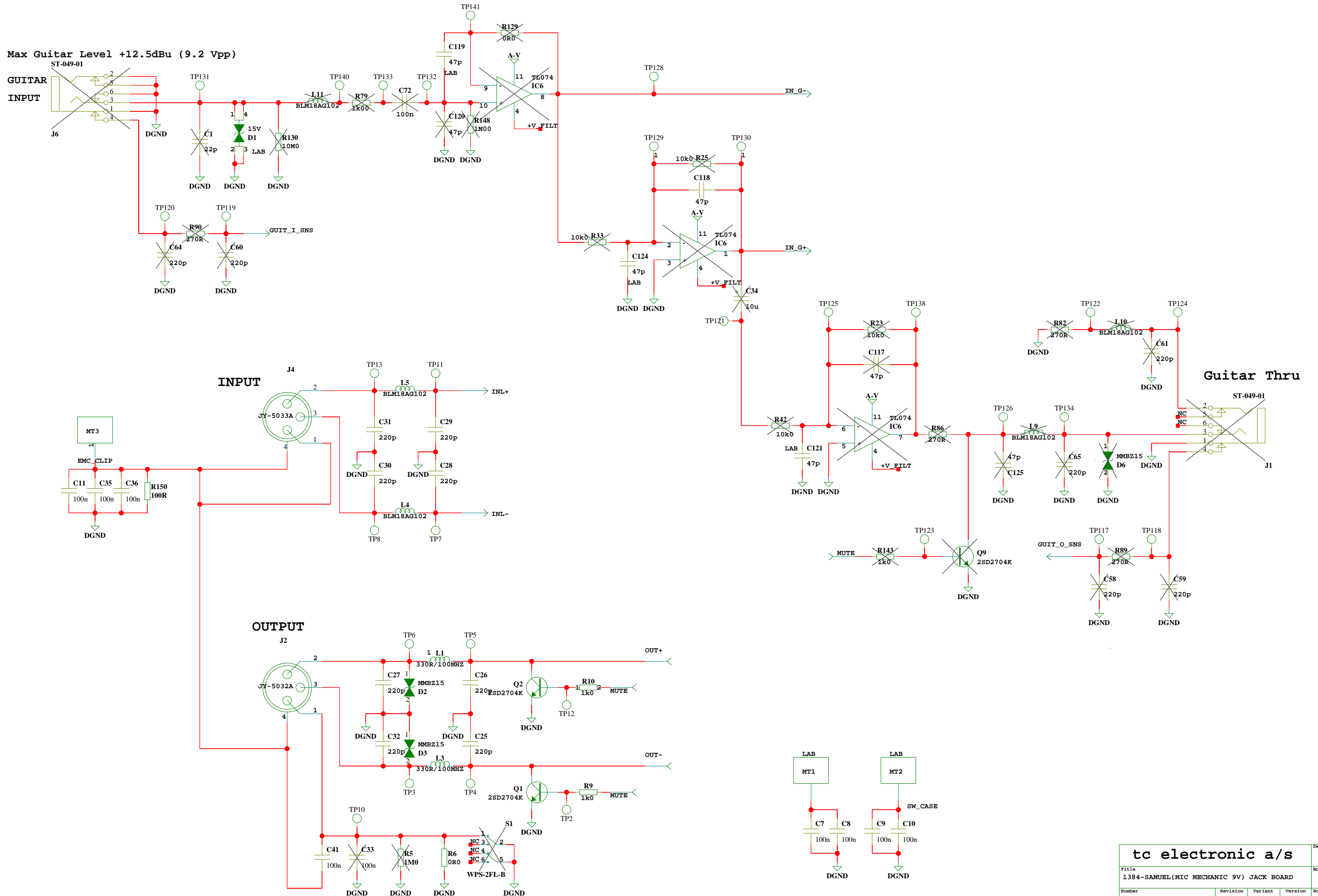


### DECOUPLING



M1  
P22635-C

tc electronic a/s				Designer(s)	SP
1384-SAMUEL(MIC MECHANIC 9V) JACK BOARD				Module title	MODULE TITLE
Number	Revision	Variant	Version	Board type	
P22635	C	B	A	JACKBOARD	
Date	Filename			Page / of	
15/07/2016:21:55	P22635-A			1 / 2	



<b>tc electronic a/s</b>				Designer(s)	SP
Title 1384-SAMUEL(MIC MECHANIC 9V) JACK BOARD				Module title MODULE TITLE	
Number P22635		Revision C	Variant B	Version A	Board type JACKBOARD
Date 15/07/2016:21:55	Filename P22635-A			Page / of 1 / 2	

