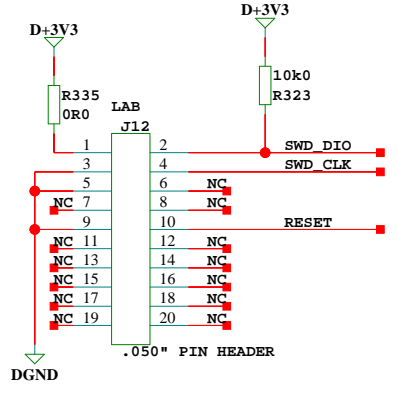
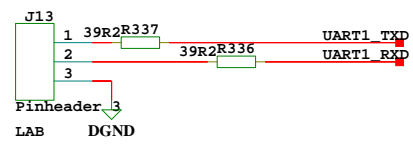


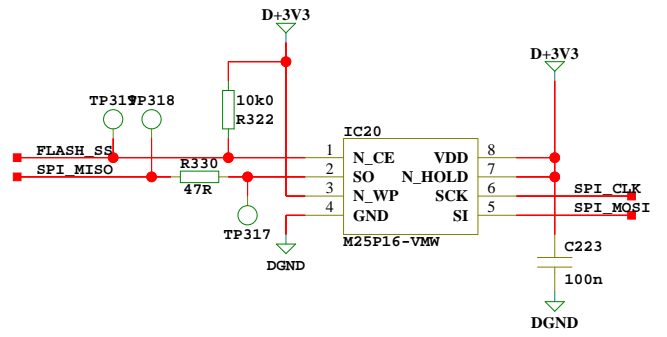
MCU DEBUG/PROG HEADER



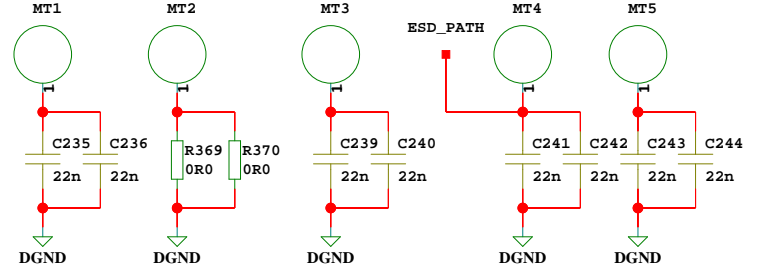
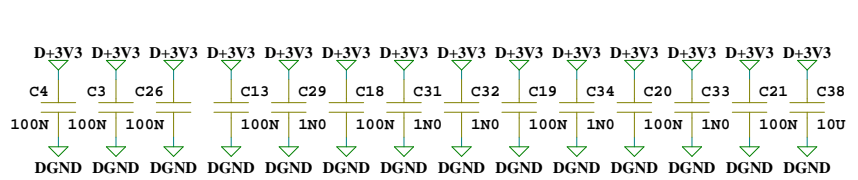
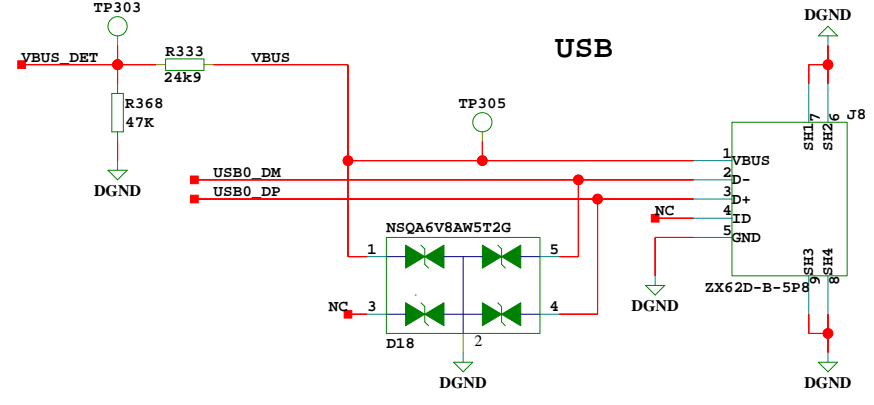
Optional Debug Comm Header



BOOT FLASH



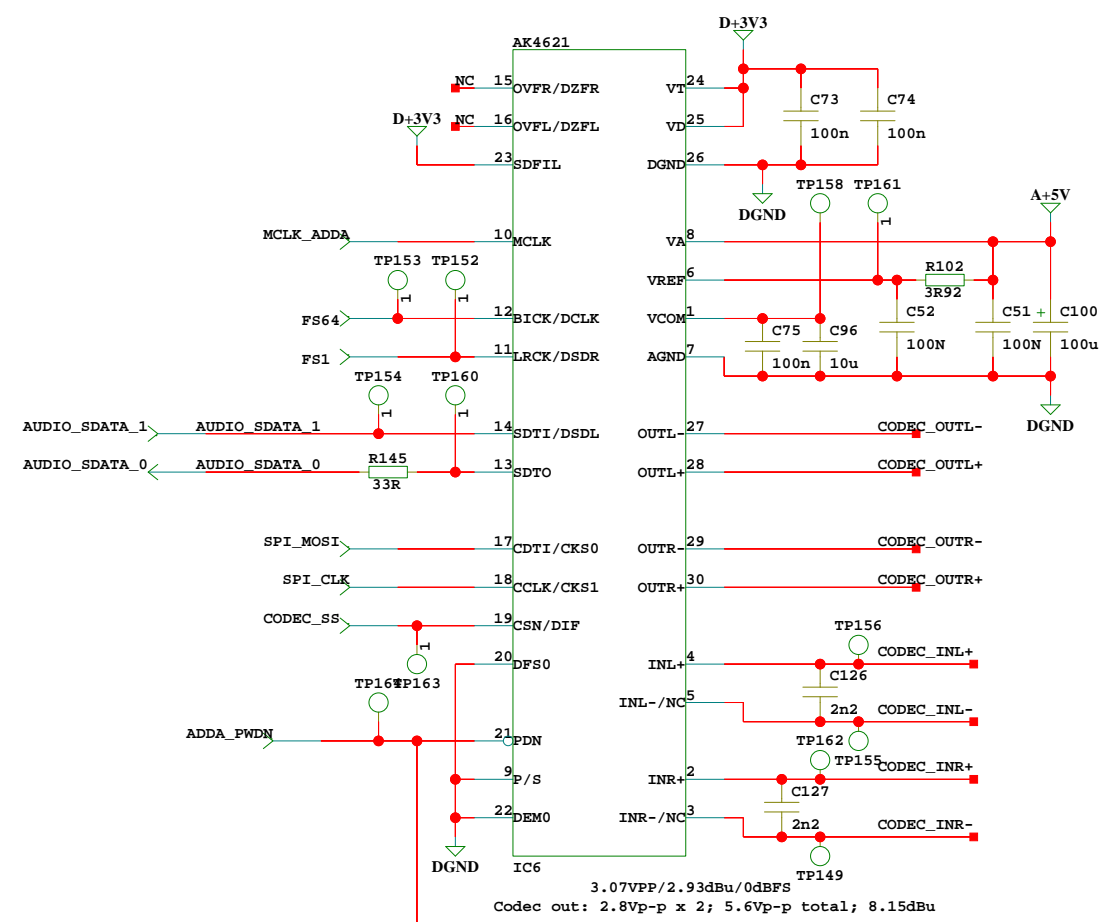
USB



M1 P22636-D

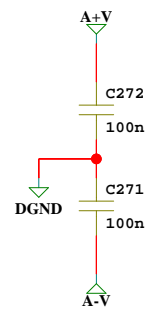
tc electronic a/s				Designer(s)	SP
1444-CLARENCE(CRITICAL MASS 9V) MAIN BOARD				Module title	MODULE TITLE
Number	Revision	Variant	Version	Board type	
P22636	D	D	A	MAIN BOARD	
Date	Filename			Page / of	
16/11/2016:14:37				1 / 6	

AUDIO CODEC

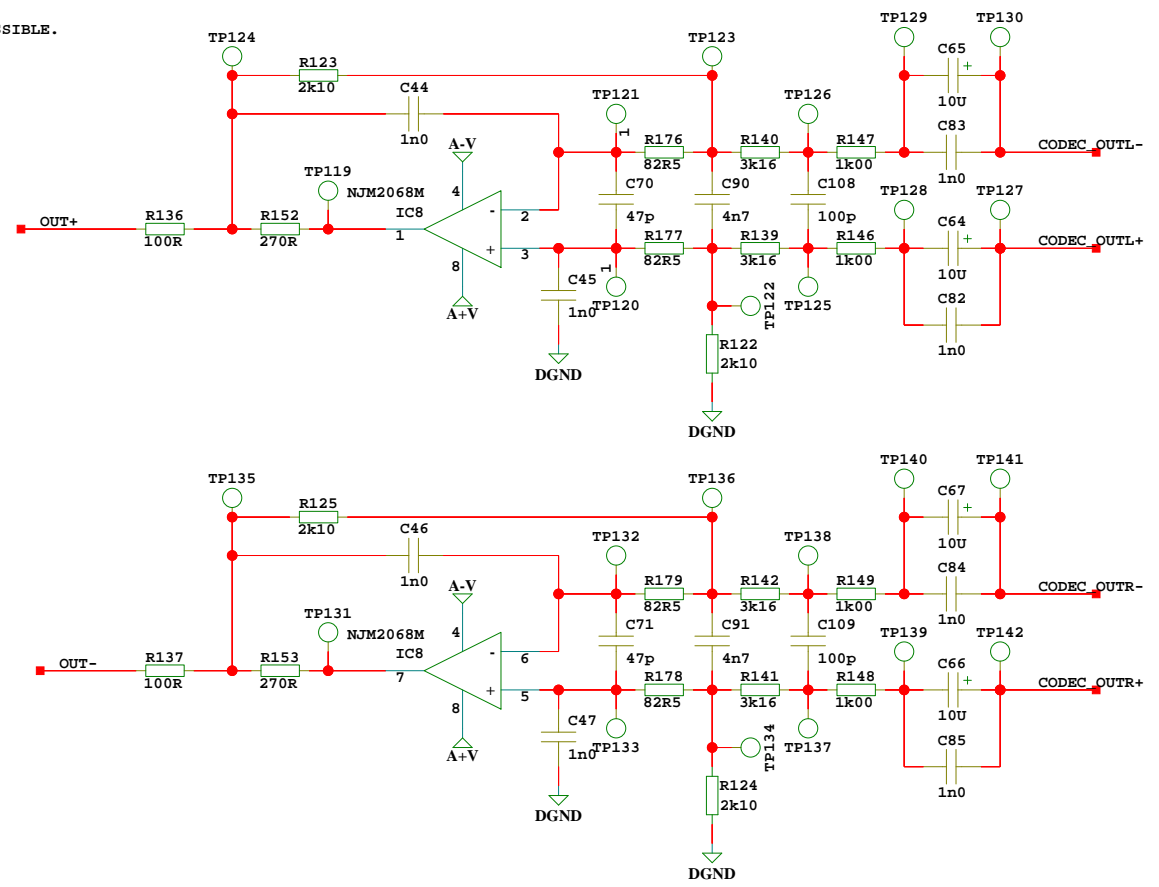


OP-AMP BYPASS

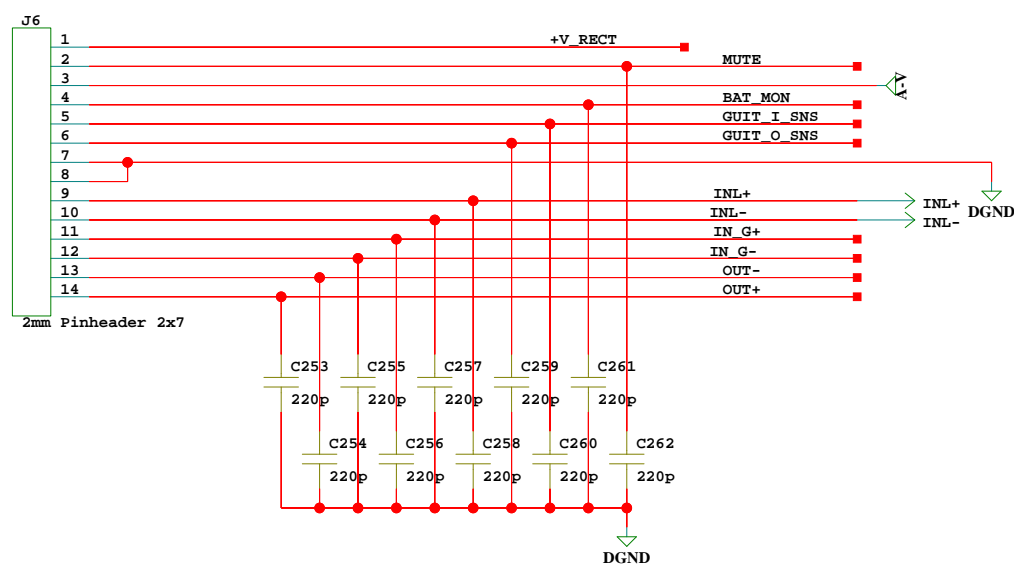
PLACE AS CLOSE TO THE IC BODY AS POSSIBLE.



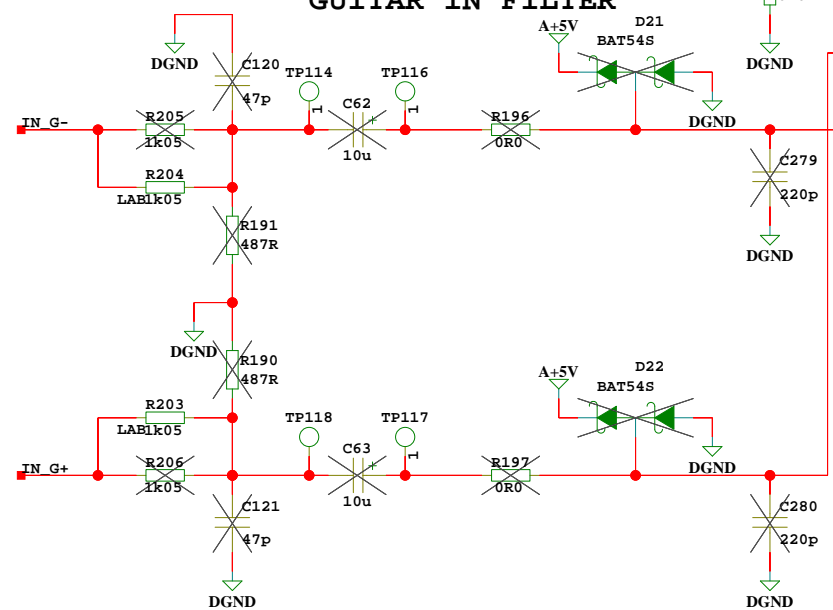
MIC OUT



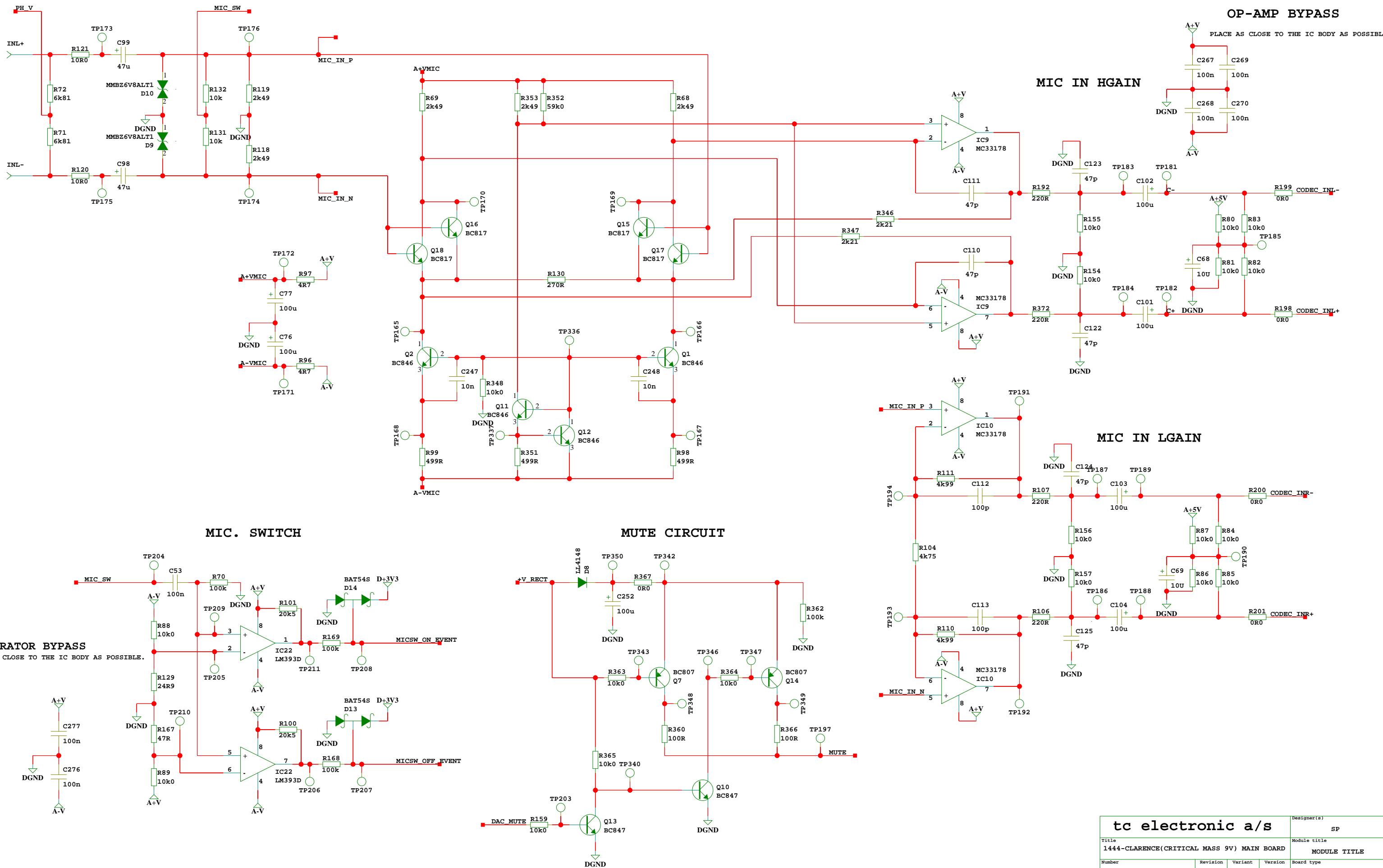
TO JACK BOARD



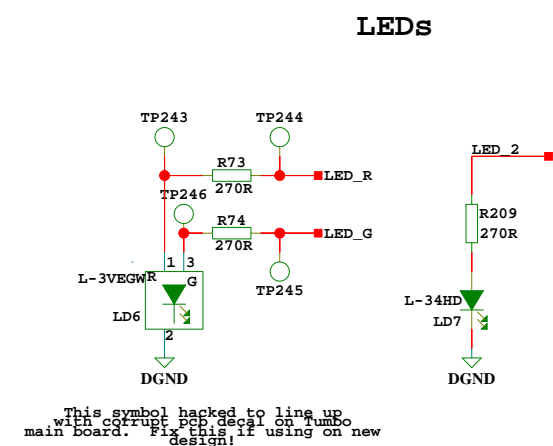
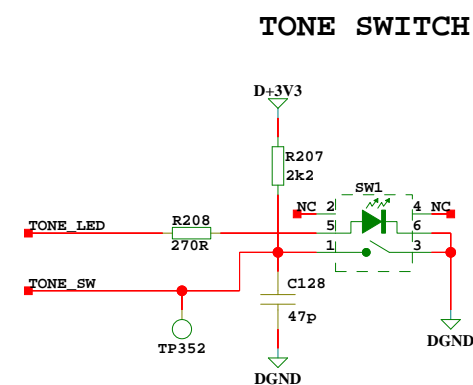
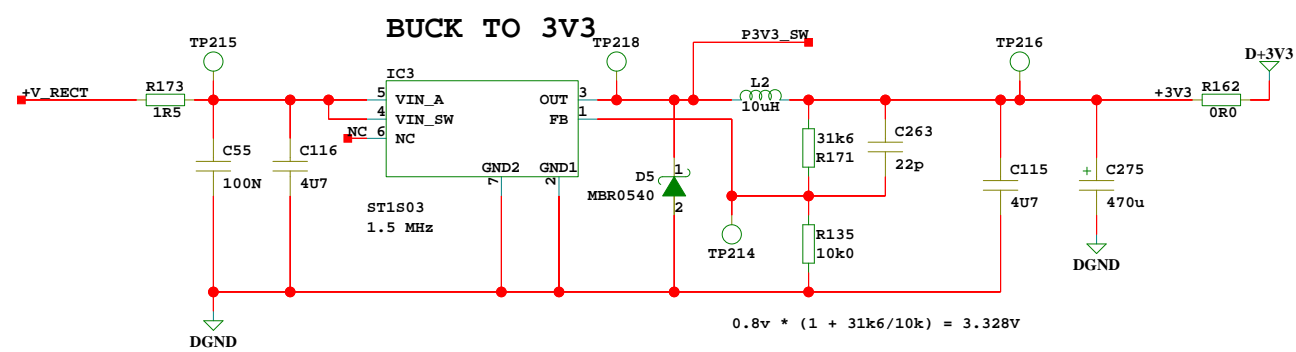
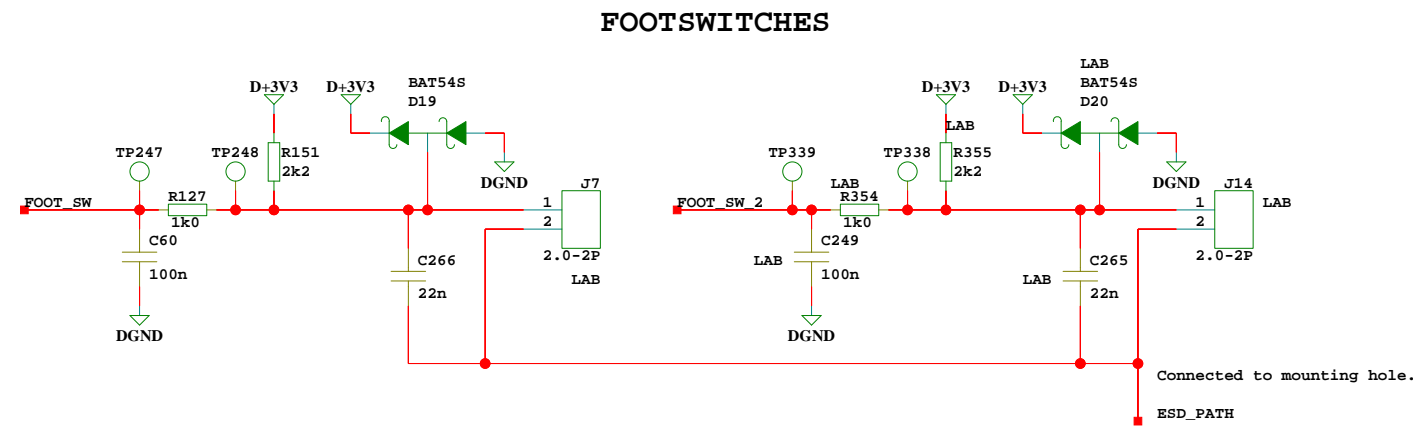
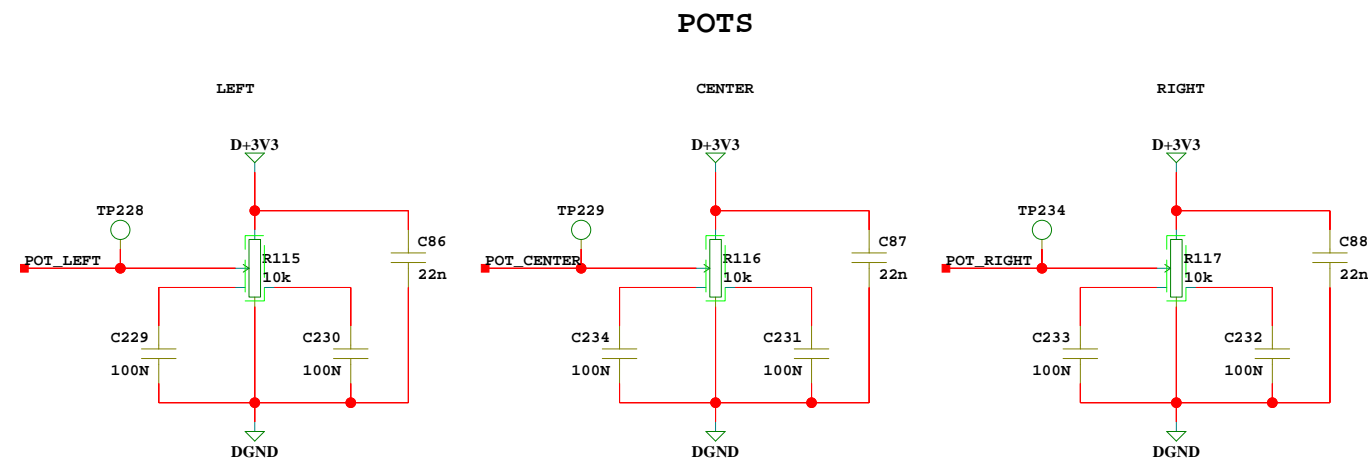
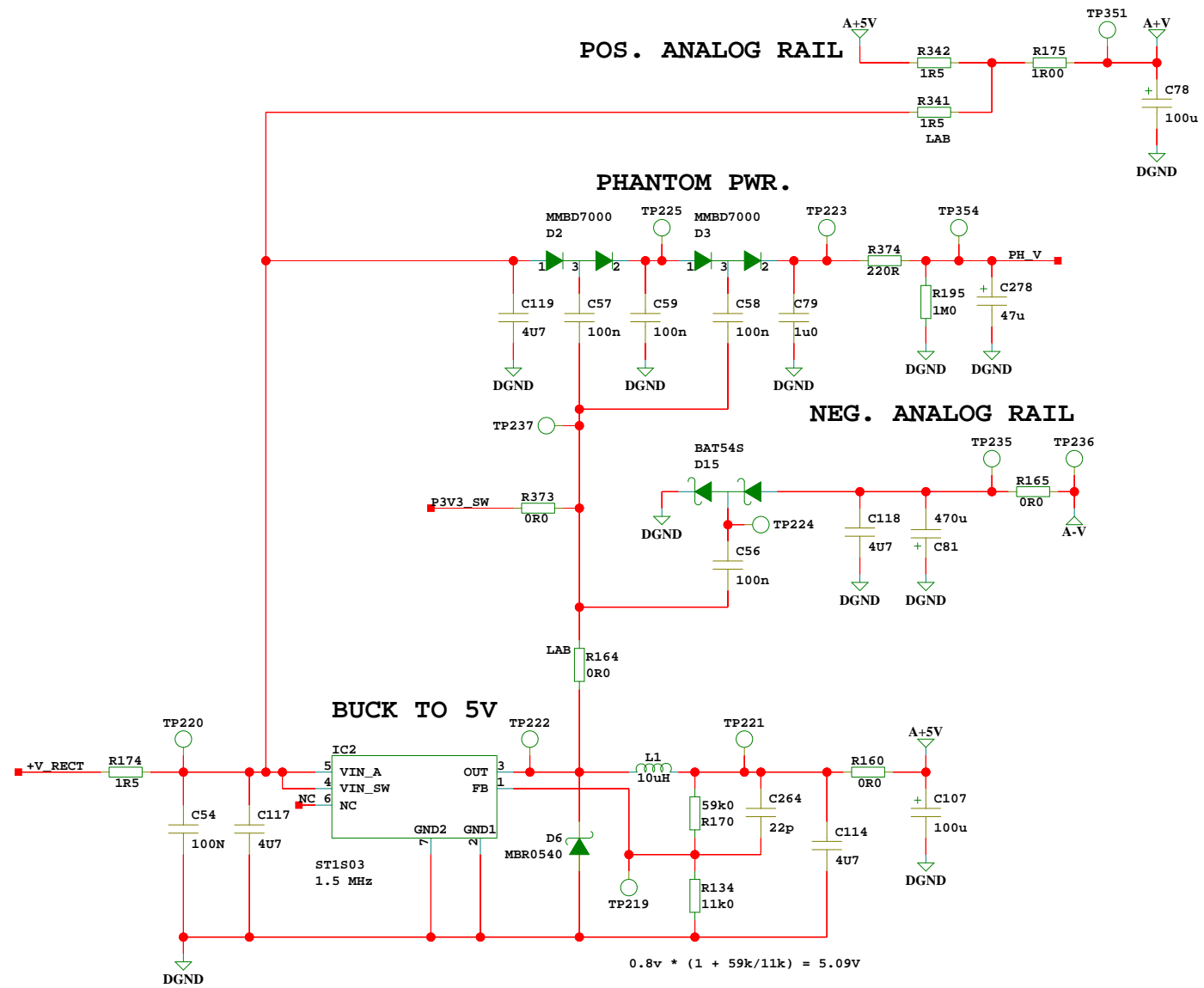
-10dB GUITAR IN FILTER



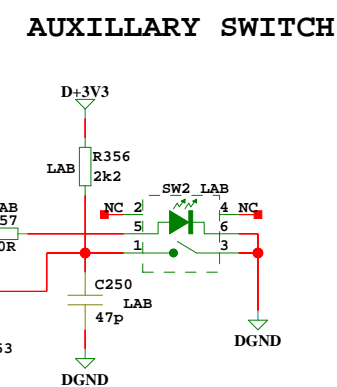
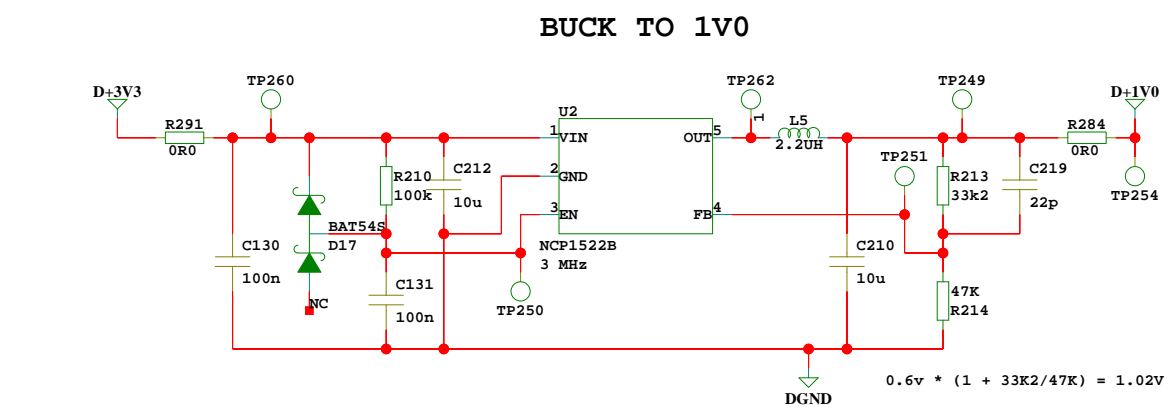
tc electronic a/s				Designer(s)	SP
1444-CLARENCE(CRITICAL MASS 9V) MAIN BOARD				Module title	MODULE TITLE
Number	Revision	Variant	Version	Board type	
P22636	D	D	A	MAIN BOARD	
Date	Filename			Page / of	
16/11/2016:14:37	P22636-A			1 / 6	



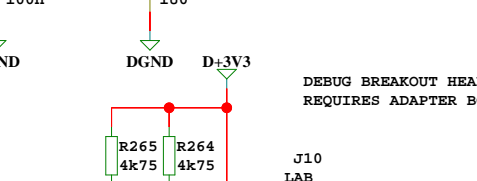
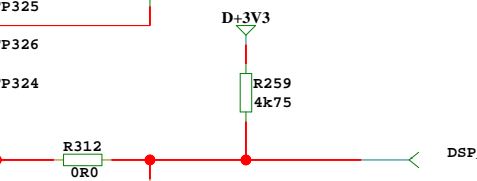
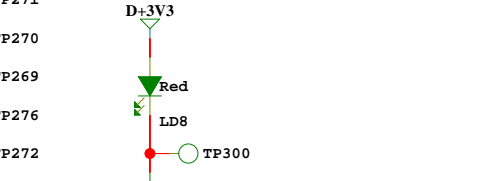
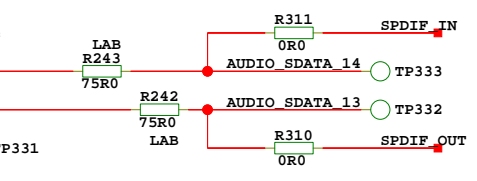
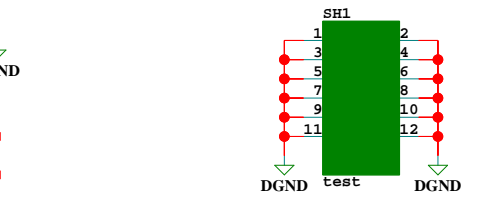
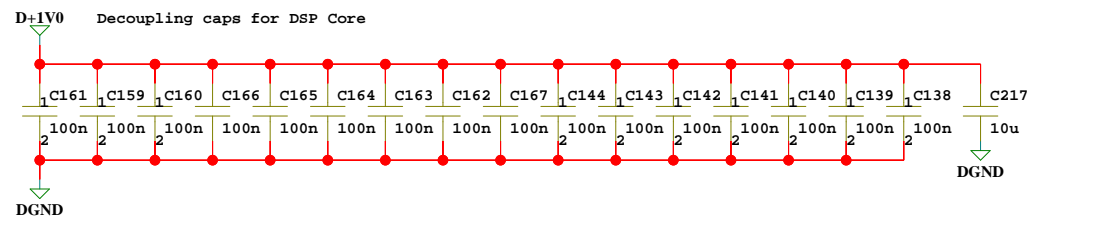
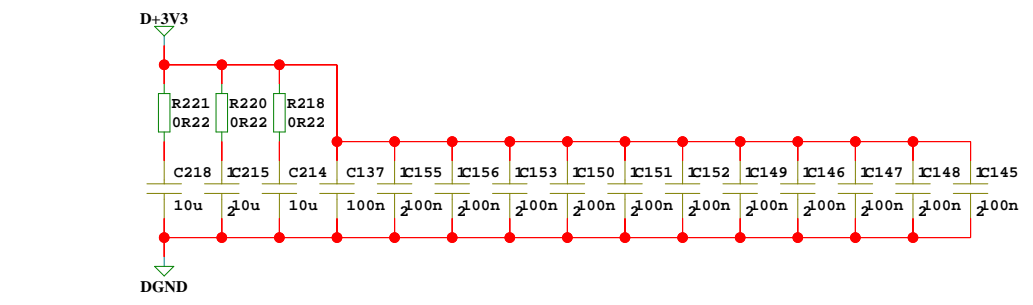
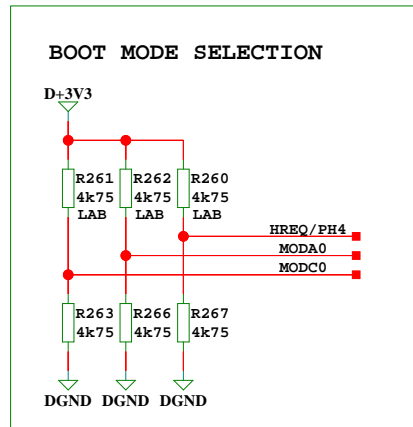
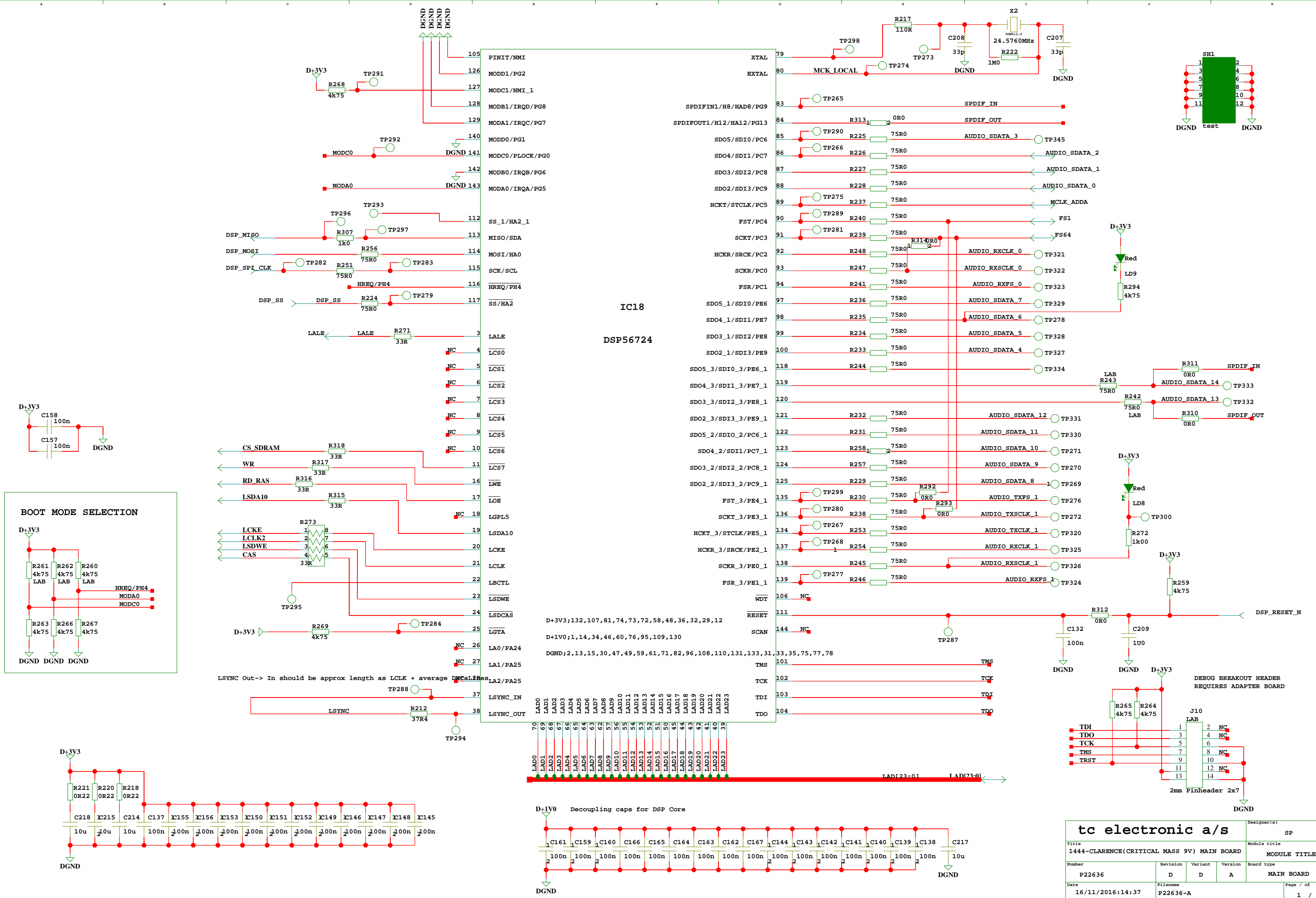
tc electronic a/s				Designer(s) SP
Title 1444-CLARENCE(CRITICAL MASS 9V) MAIN BOARD				Module title MODULE TITLE
Number P22636	Revision D	Variant D	Version A	Board type MAIN BOARD
Date 16/11/2016:14:37	Filename P22636-A			Page / of 1 / 6



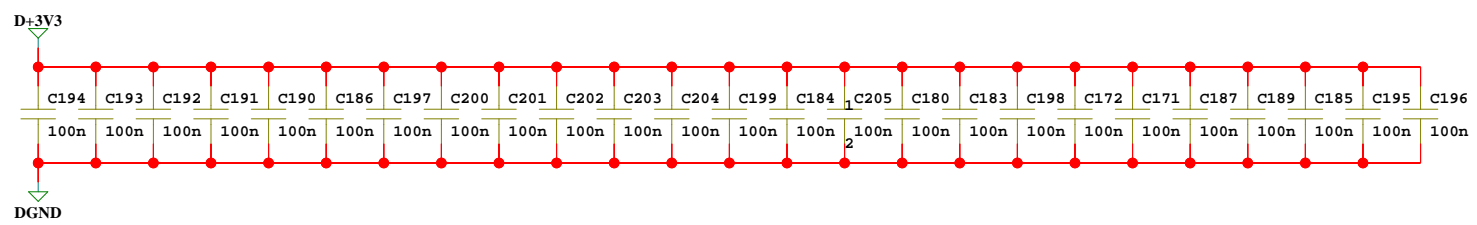
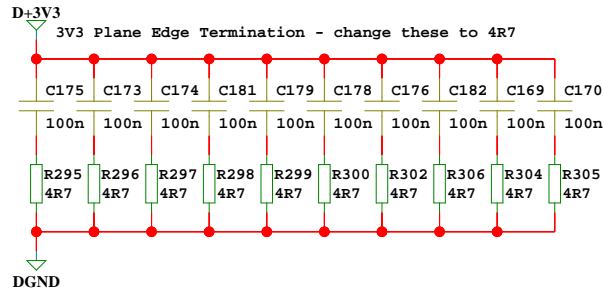
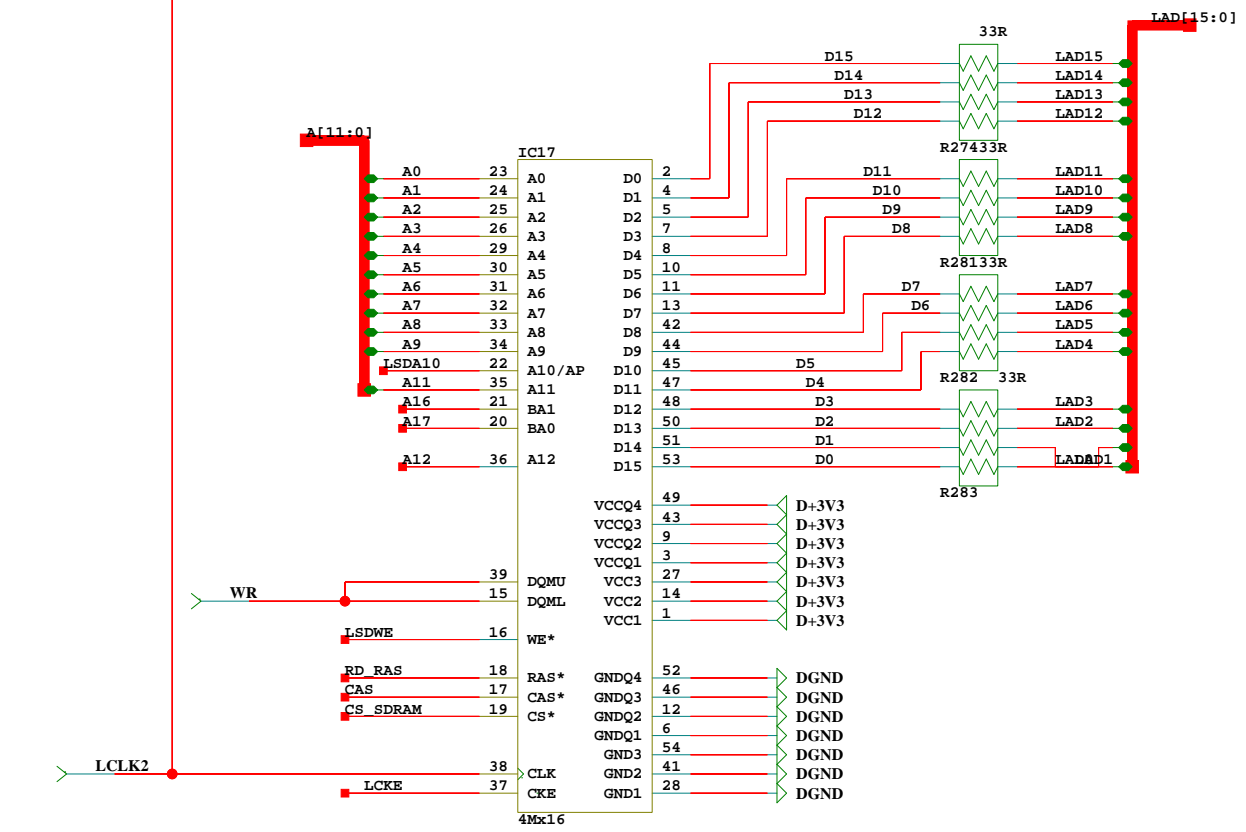
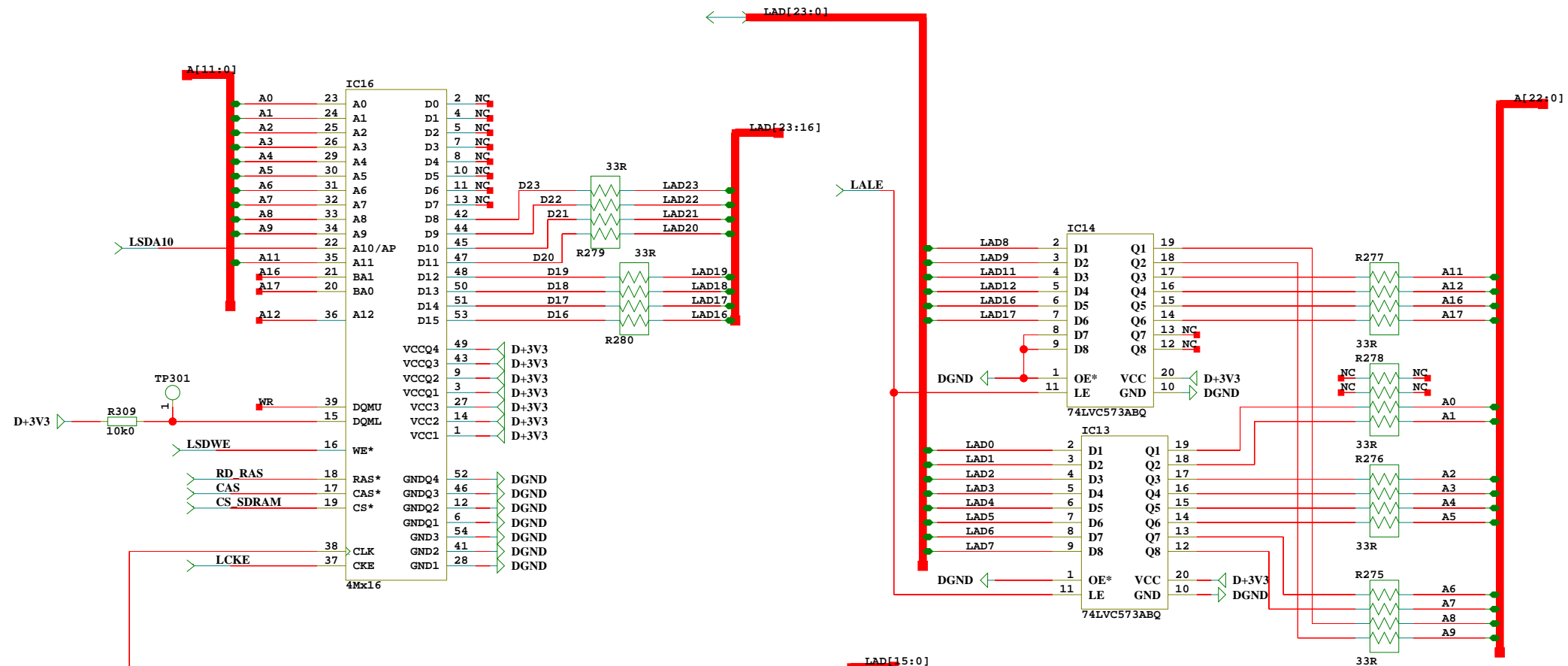
This symbol backed to line up with correct pin decal on main board. Fix this if using on new design!



tc electronic a/s				Designer(s)	SP
Title				Module title	
1444-CLARENCE(CRITICAL MASS 9V) MAIN BOARD				MODULE TITLE	
Number	Revision	Variant	Version	Board type	
P22636	D	D	A	MAIN BOARD	
Date	Filename				Page / of
16/11/2016:14:37	P22636-A				1 / 6



tc electronic a/s				Designer(s)	SP
1444-CLARENCE (CRITICAL MASS 9V) MAIN BOARD				Module title	
P22636				MODULE TITLE	
Number	Revision	Variant	Version	Board type	
P22636	D	D	A	MAIN BOARD	
Date	Filename			Page / of	
16/11/2016:14:37	P22636-A			1 / 6	



tc electronic a/s				Designer(s)	SP
Title				Module title	
1444-CLARENCE(CRITICAL MASS 9V) MAIN BOARD				MODULE TITLE	
Number	Revision	Variant	Version	Board type	
F22636	D	D	A	MAIN BOARD	
Date	Filename			Page / of	
16/11/2016:14:37	F22636-A			1 / 6	

