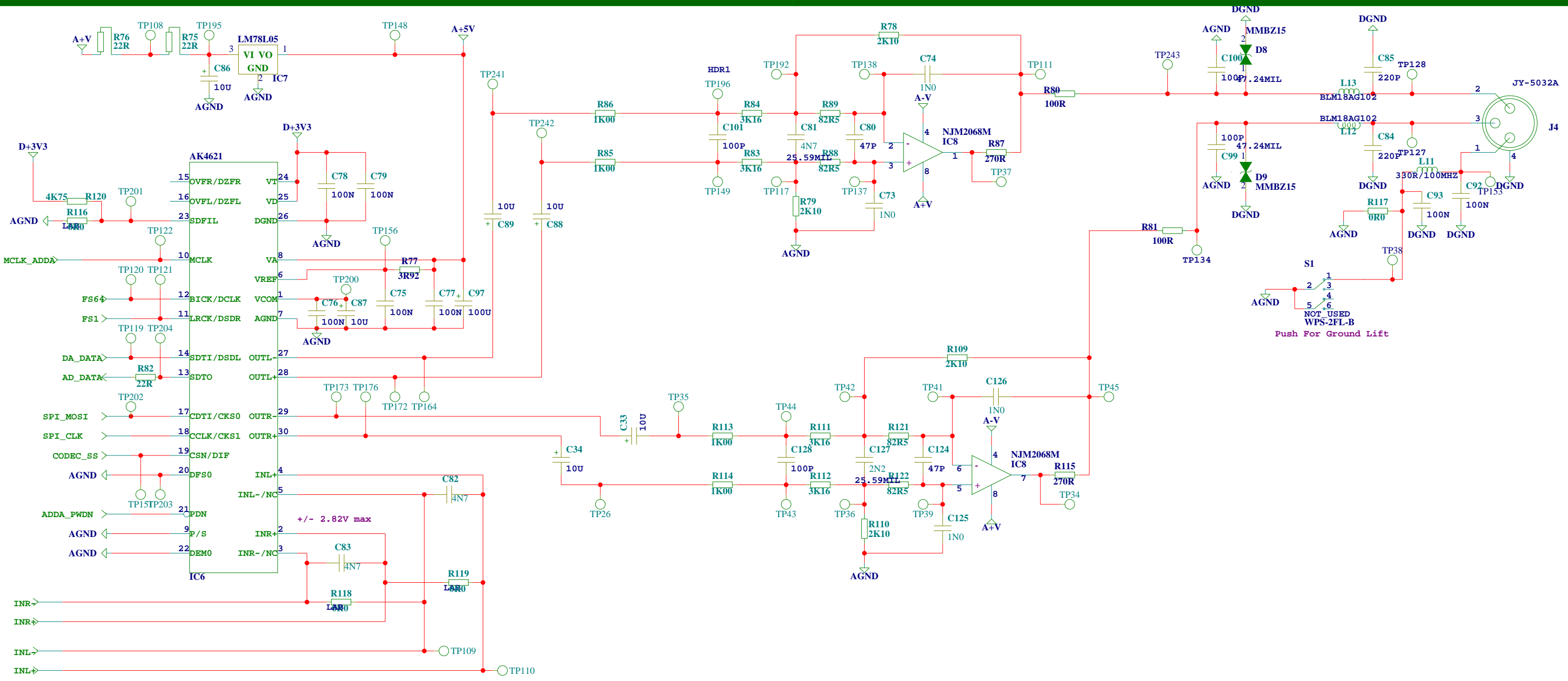
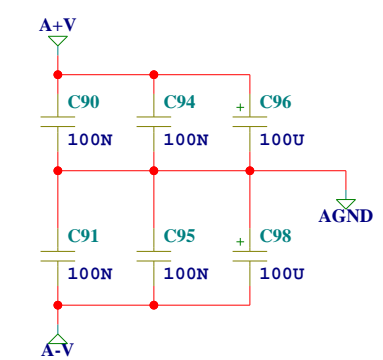


P22622-B  
M1

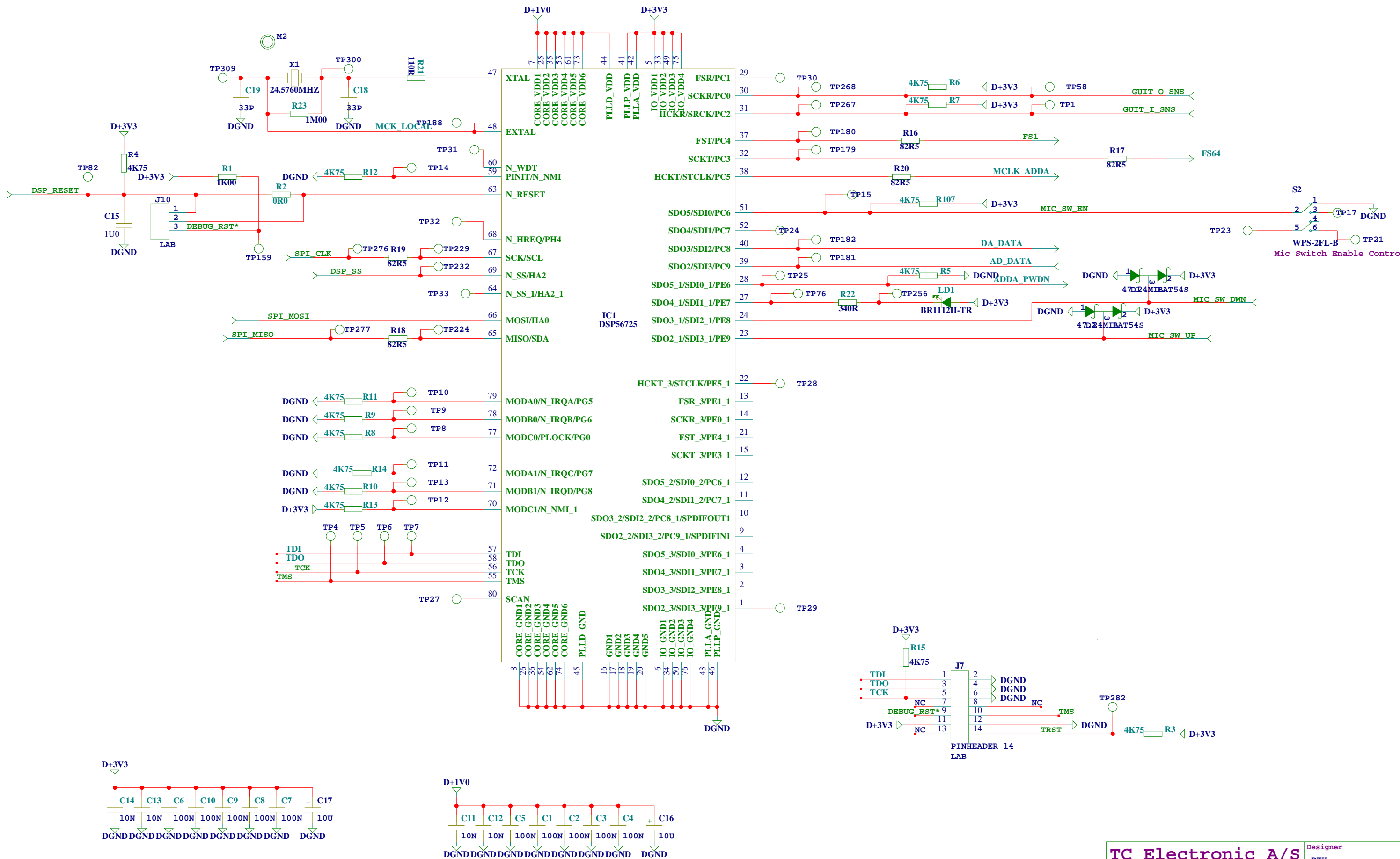
TC Electronic A/S		Designer DKH
Title <b>Q400</b>	Module title <b>MAINBOARD</b>	
Number P22622-B	Revision BBB	Previous page XX
Date 5-2-2010_13:17	Filename P22622-BB	Page / of XX / XX



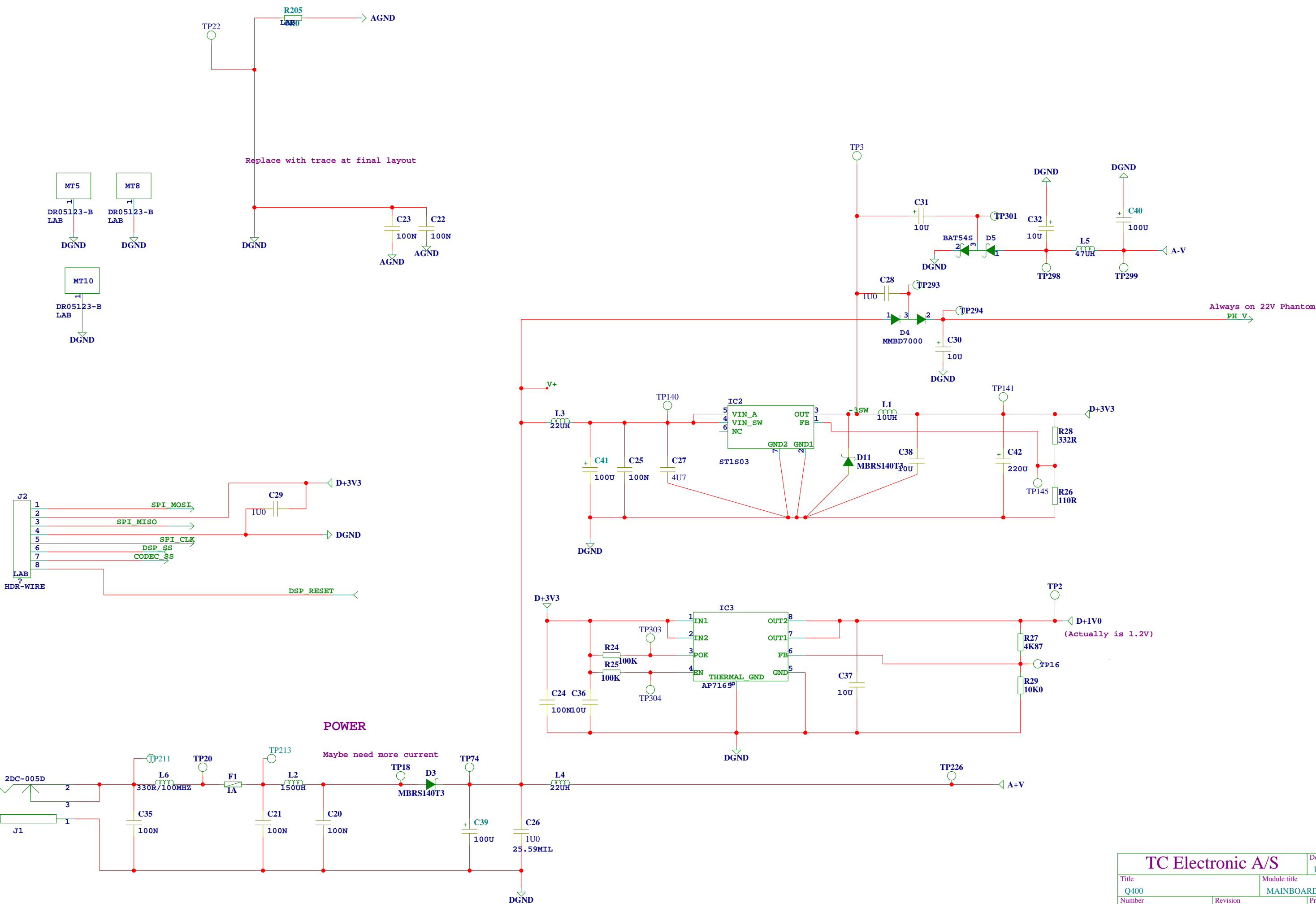
DECOUPLING FOR OUTPUT SECTION



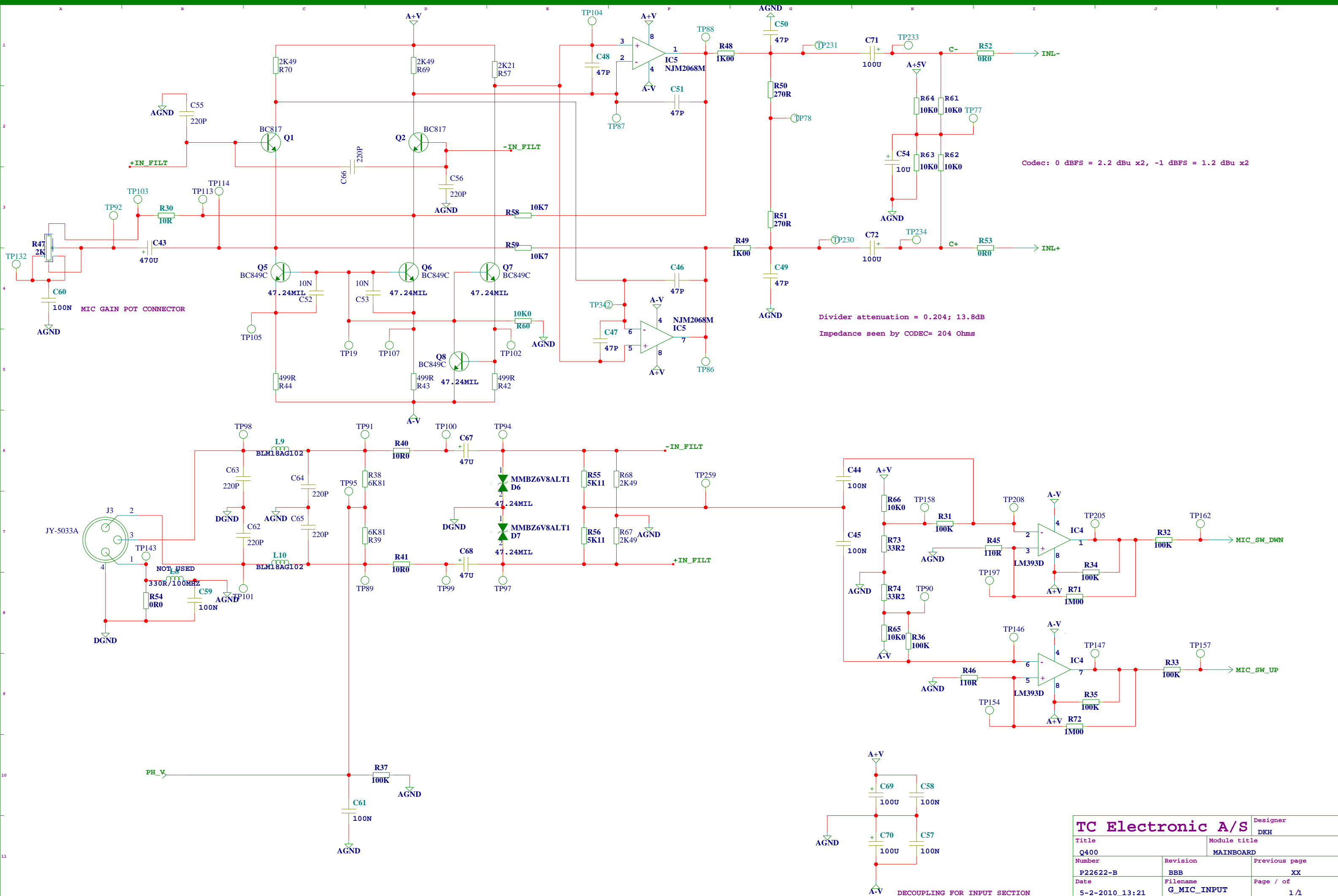
TC Electronic A/S		Designer DKH
Title Q400	Module title MAINBOARD	
Number P22622-B	Revision BBB	Previous page XX
Date 5-2-2010_13:23	Filename HG_ANALOG_OUT	Page / of XX / XX



<b>TC Electronic A/S</b>		Designer DKH
Title Q400	Module title MAINBOARD	
Number P22622-B	Revision BBB	Previous page XX
Date 5-2-2010_13:19	Filename DSP725	Page / of 1 / 1



TC Electronic A/S		Designer DKH
Title Q400	Module title MAINBOARD	
Number P22622-B	Revision BBB	Previous page XX
Date 5-2-2010_13:20	Filename INTERFACE	Page / of XX / XX

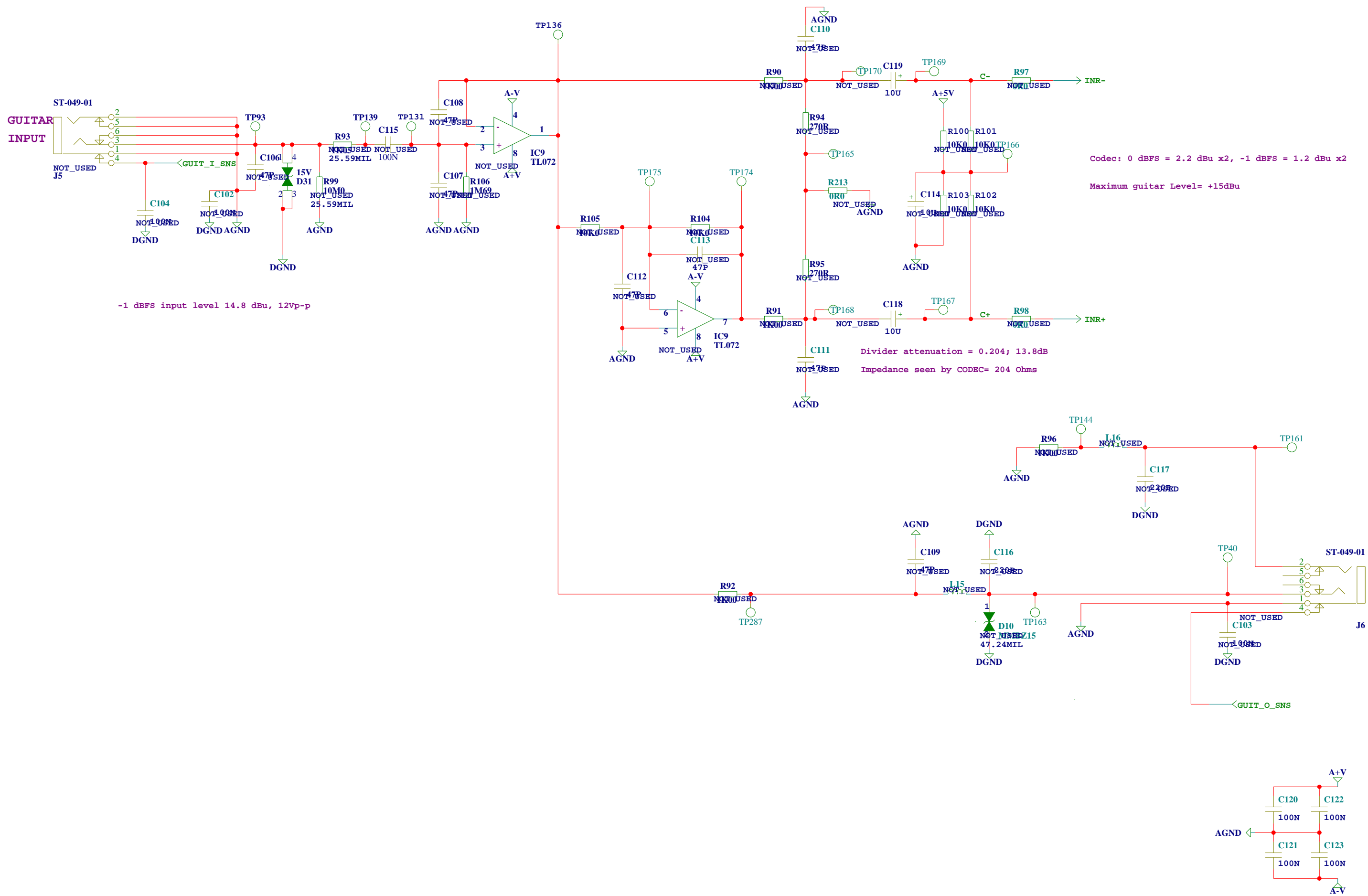


Codec: 0 dBFS = 2.2 dBu x2, -1 dBFS = 1.2 dBu x2

Divider attenuation = 0.204; 13.8dB  
Impedance seen by CODEC= 204 Ohms

DECOUPLING FOR INPUT SECTION

<b>TC Electronic A/S</b>		Designer DKH
Title Q400		Module title MAINBOARD
Number P22622-B	Revision BBB	Previous page XX
Date 5-2-2010 13:21	Filename G_MIC_INPUT	Page / of 1 / 1



**TC Electronic A/S** Designer  
DKH

Title: Q400 Module title: MAINBOARD

Number: P22622-B Revision: BBB Previous page: XX

Date: 5-2-2010\_13:24 Filename: GUITAR\_INPUT Page / of: 1/1