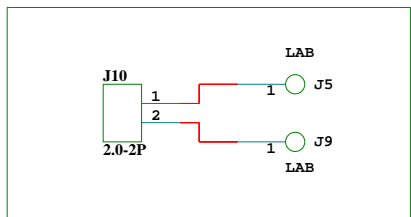
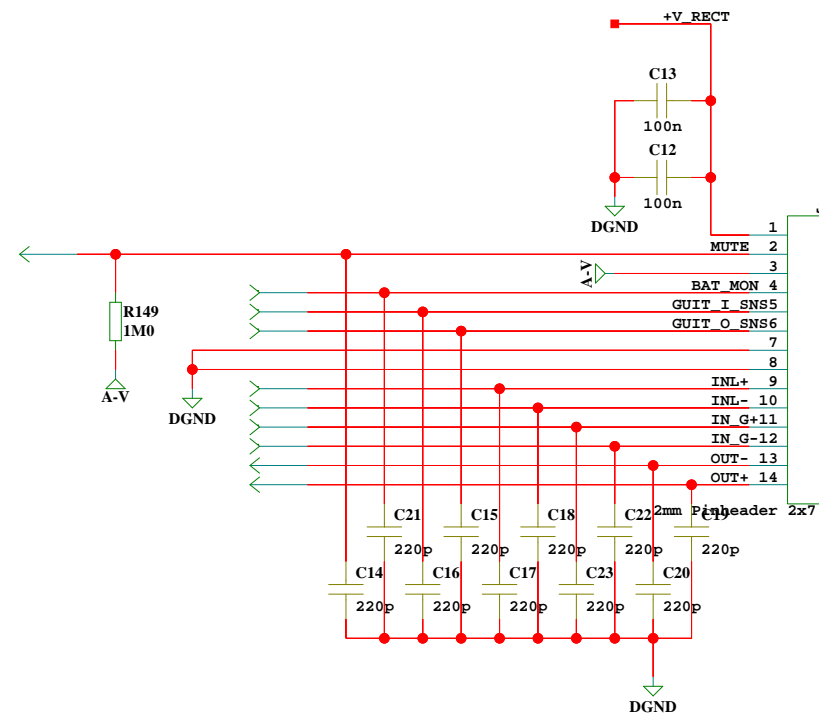


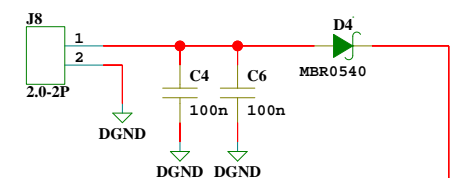
### BATTERY BOARD



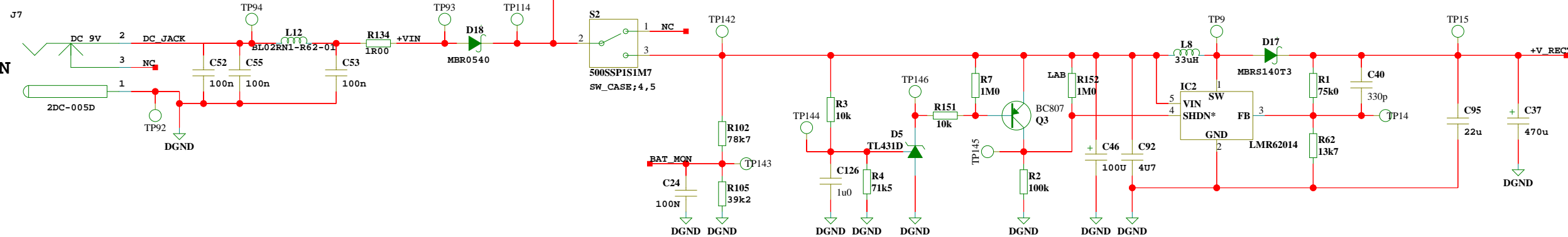
### MAIN BRD. CONN.



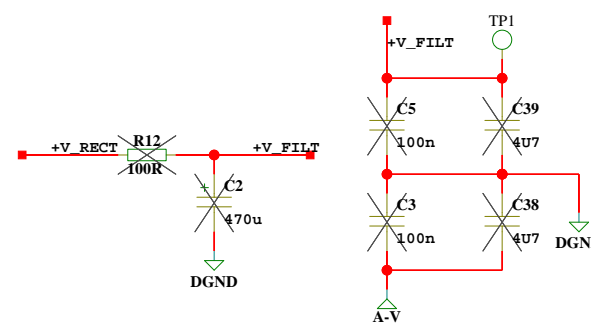
### BATTERY CONN.



### DC PWR IN

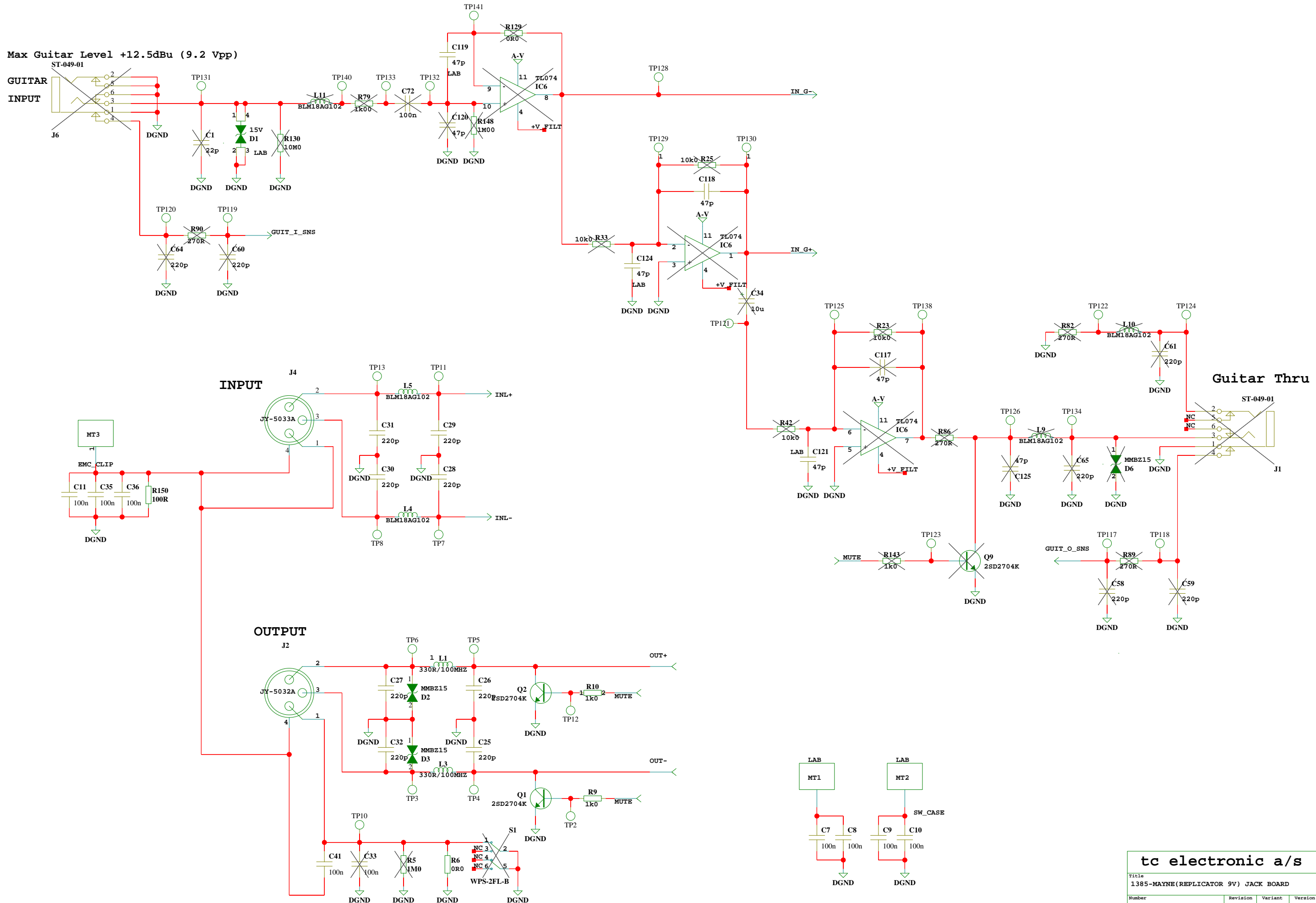


### DECOUPLING



M1  
P22635-C

tc electronic a/s				Designer(s)	SP
1385-MAYNE(REPLICATOR 9V) JACK BOARD				Module title	MODULE TITLE
Number	Revision	Variant	Version	Board type	
P22635	C	C	A		
Date	Filename	Page / of			
15/07/2016:22:01	P22635-A	1 / 2			



<b>tc electronic a/s</b>				Designer(s)	SP
Title 1385-MAYNE(REPLICATOR 9V) JACK BOARD				Module title	
Number P22635				MODULE TITLE	
Revision	Variant	Version	Board type		
C	C	A	JACKBOARD		
Date 15/07/2016:22:01	Filename P22635-A	Page / of		1 / 2	

