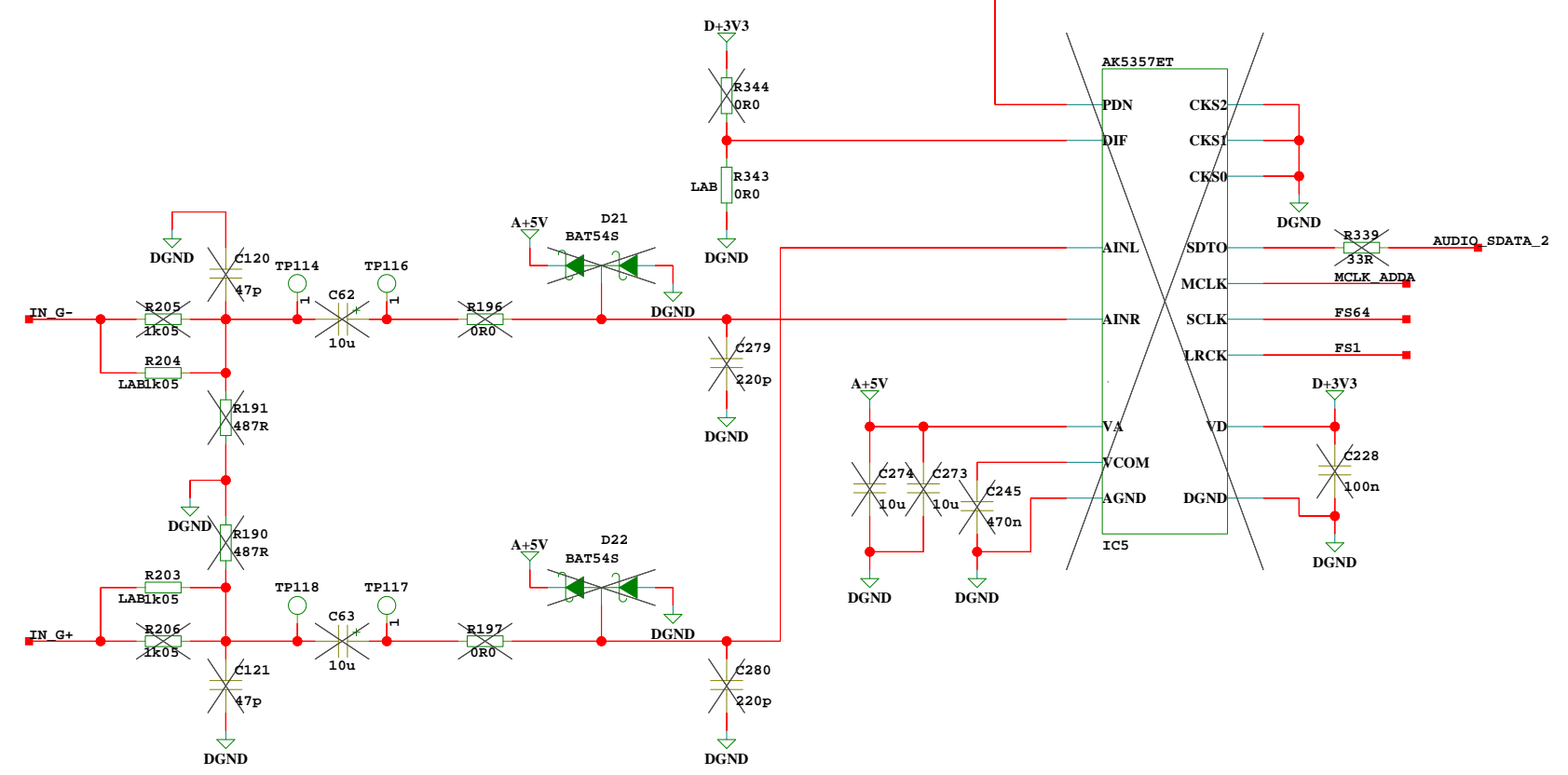
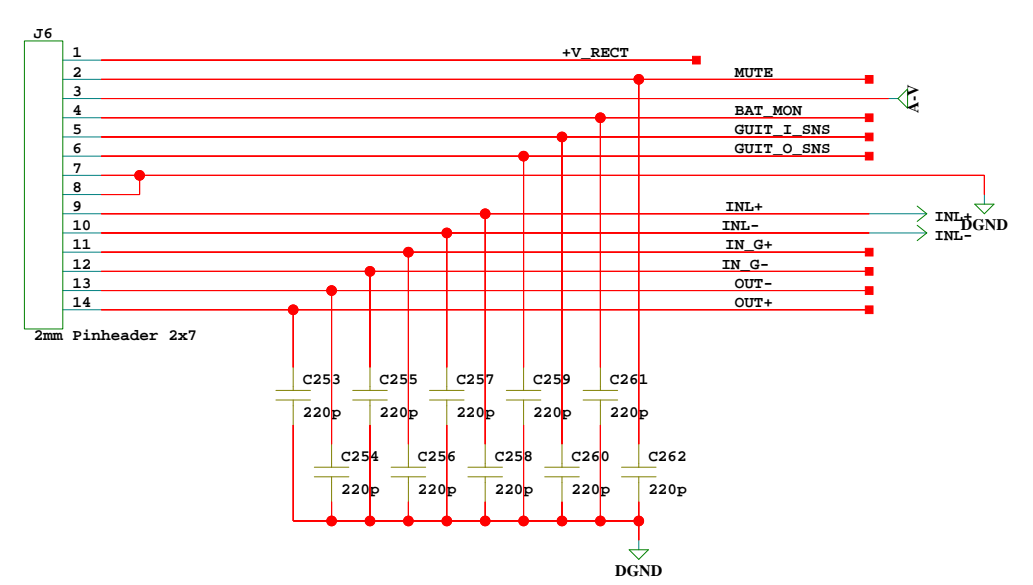
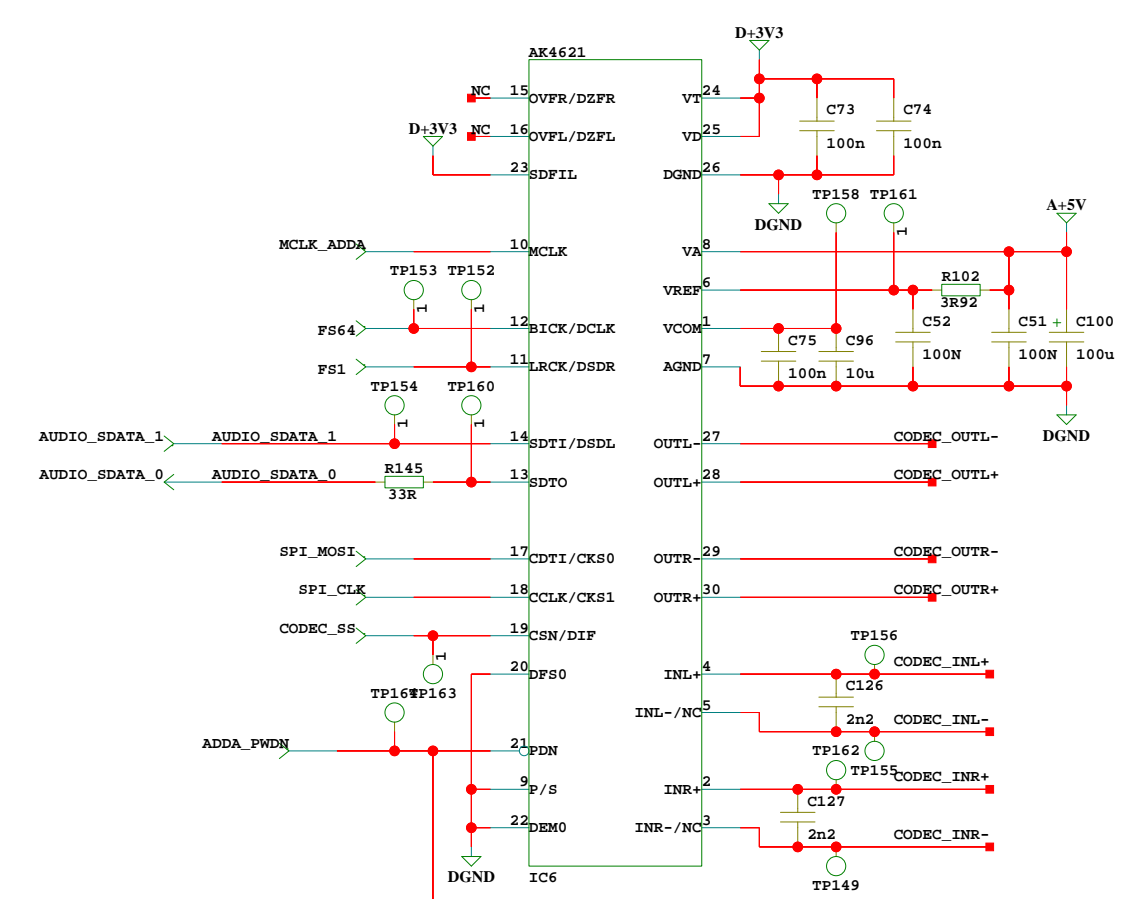
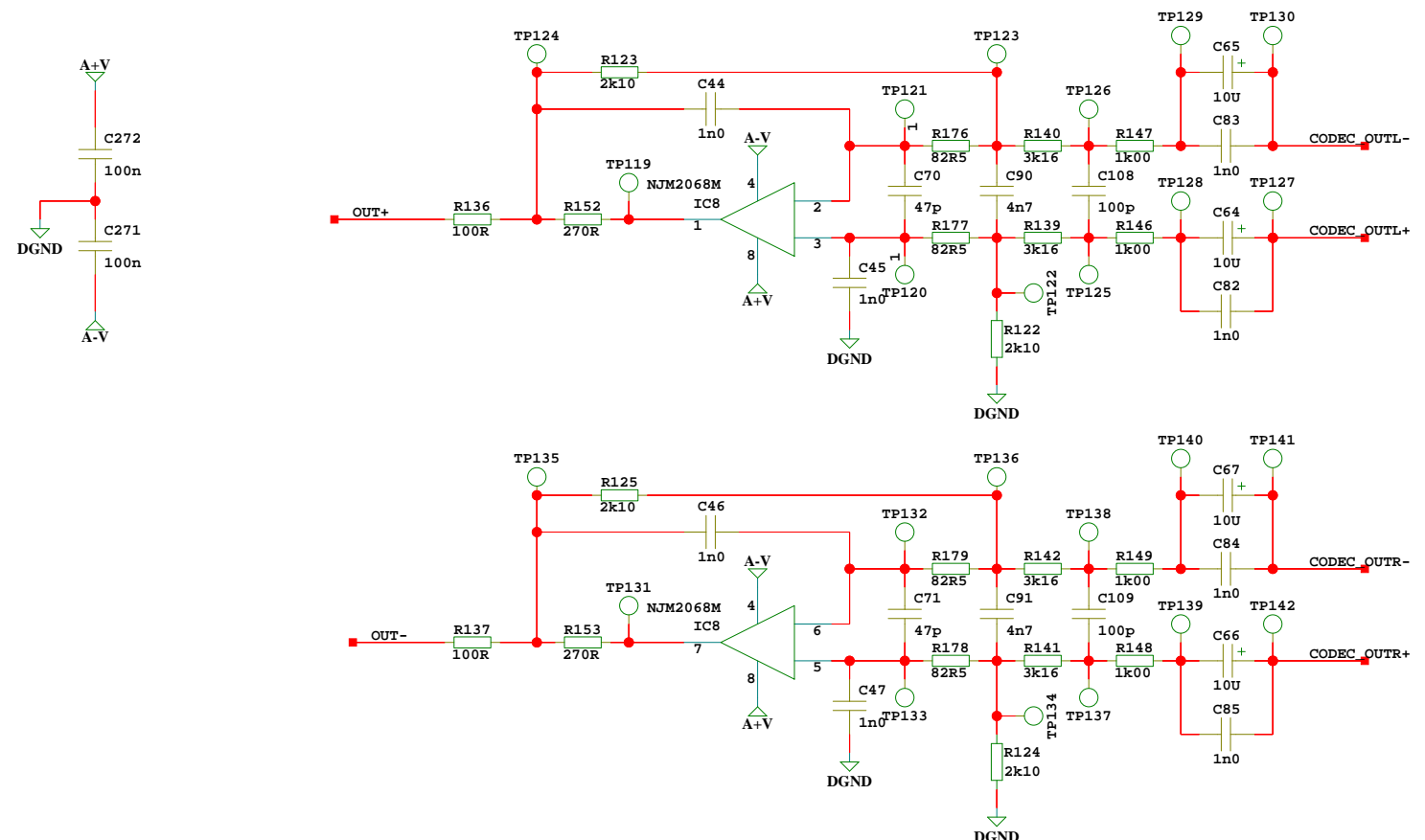
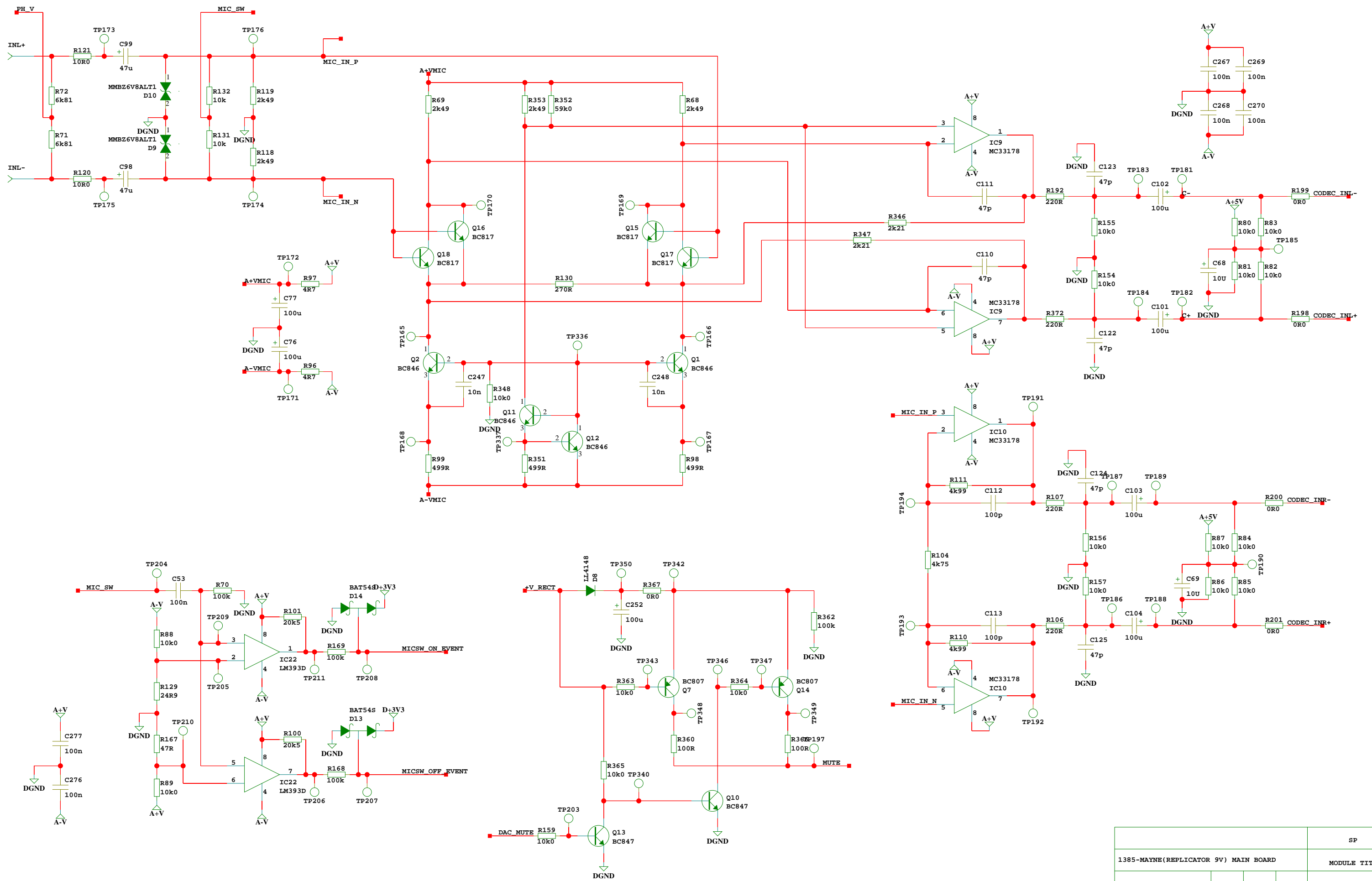


M1 P22636-D

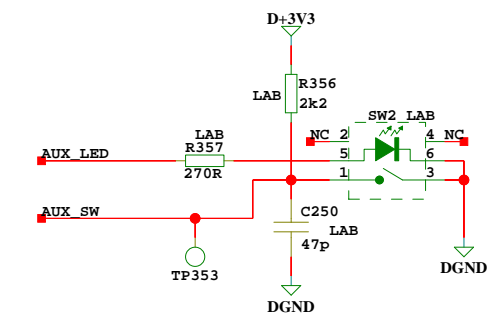
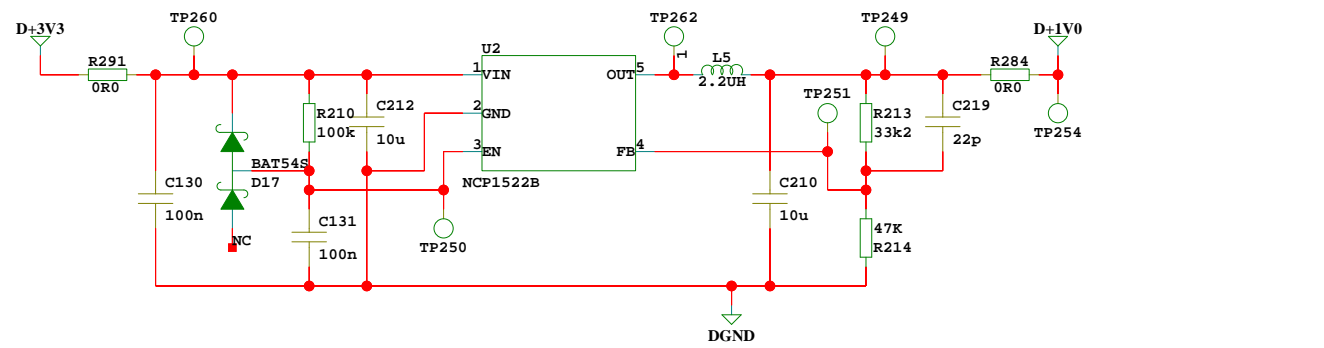
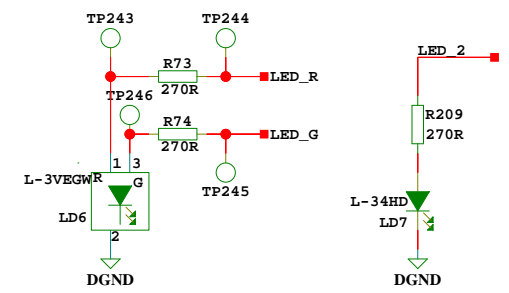
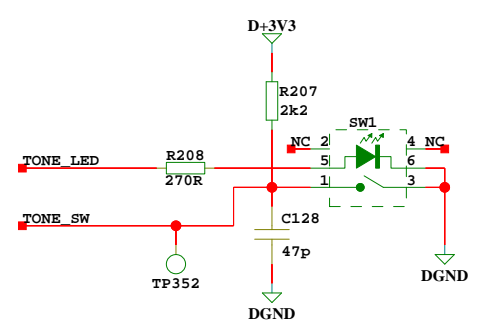
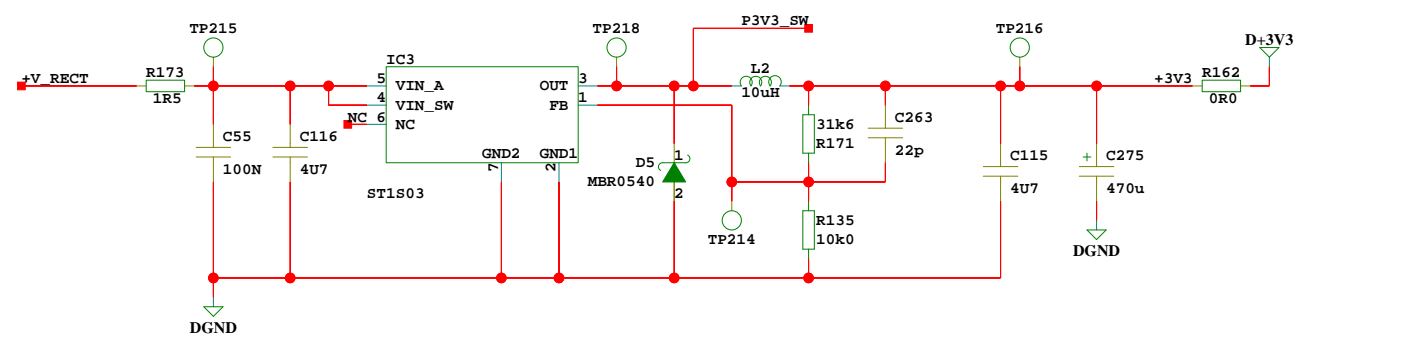
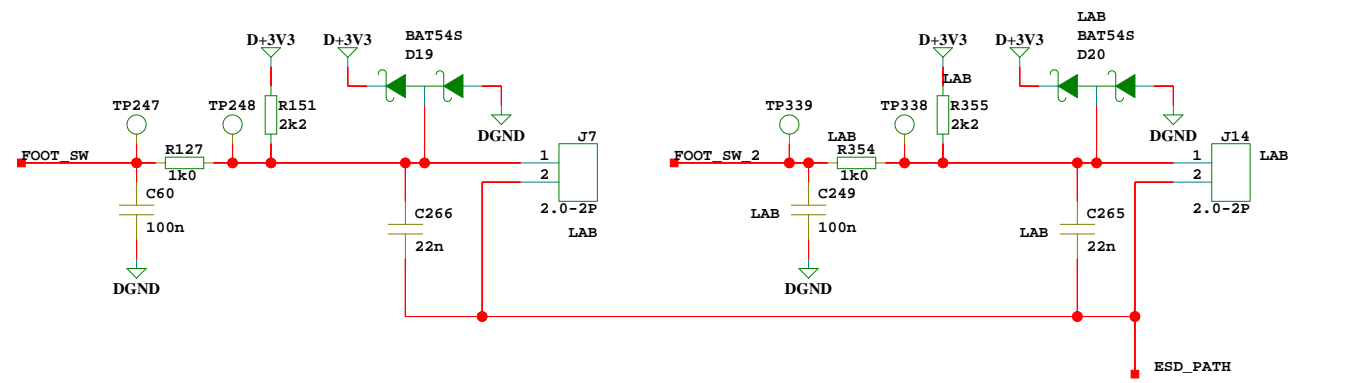
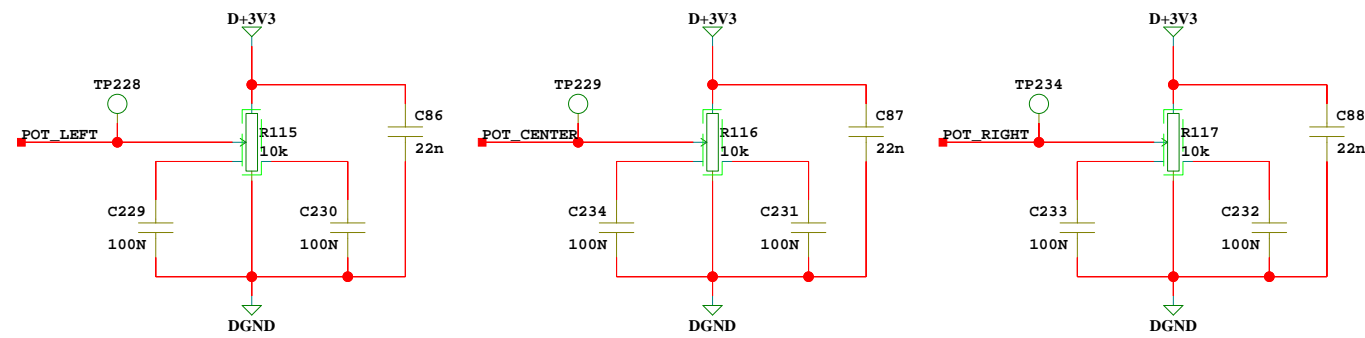
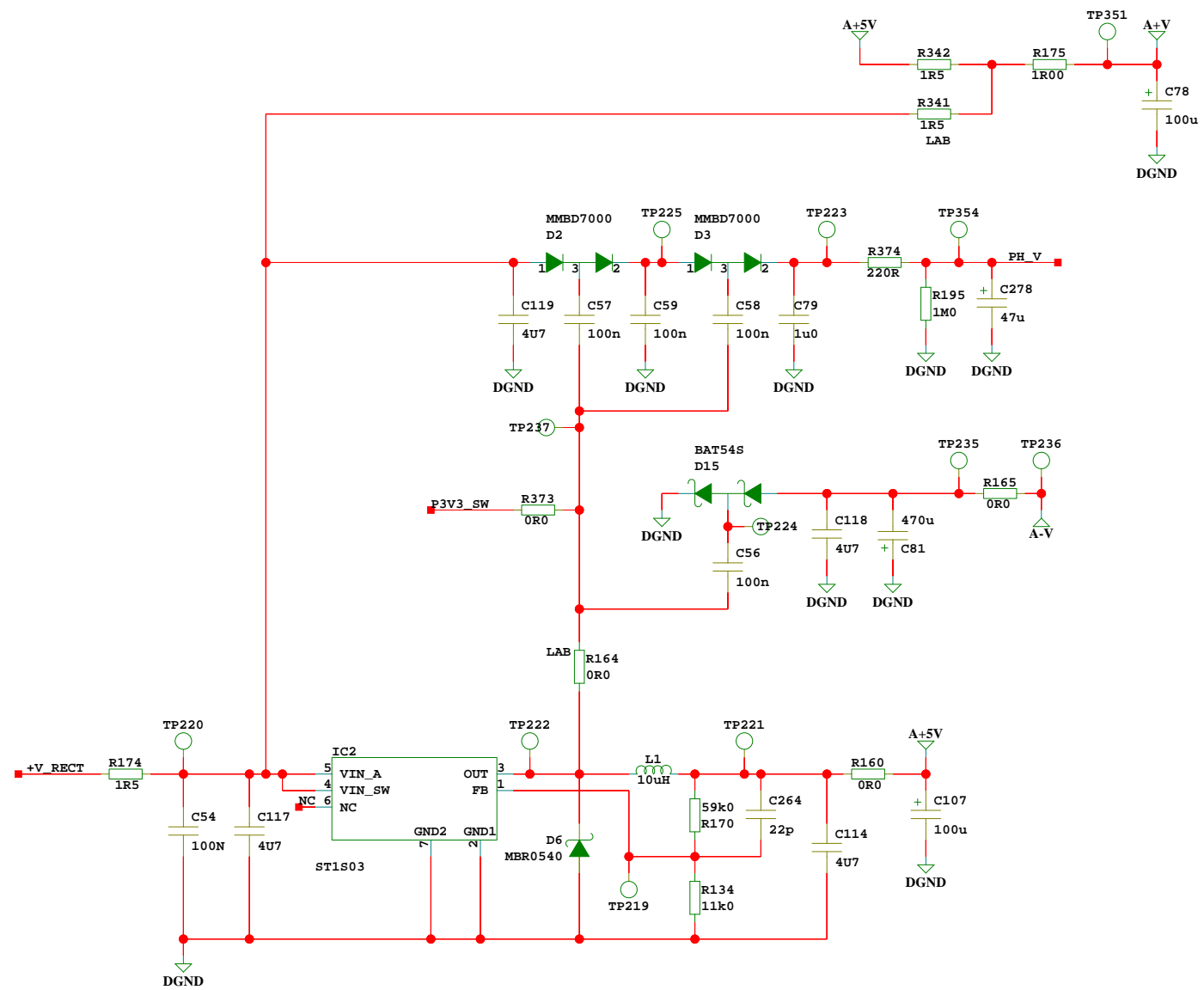
1385-MAYNE(REPLICATOR 9V) MAIN BOARD				SP
P22636				MODULE TITLE
P22636	D	C	A	MAIN BOARD
03/09/2016:00:11				1 6



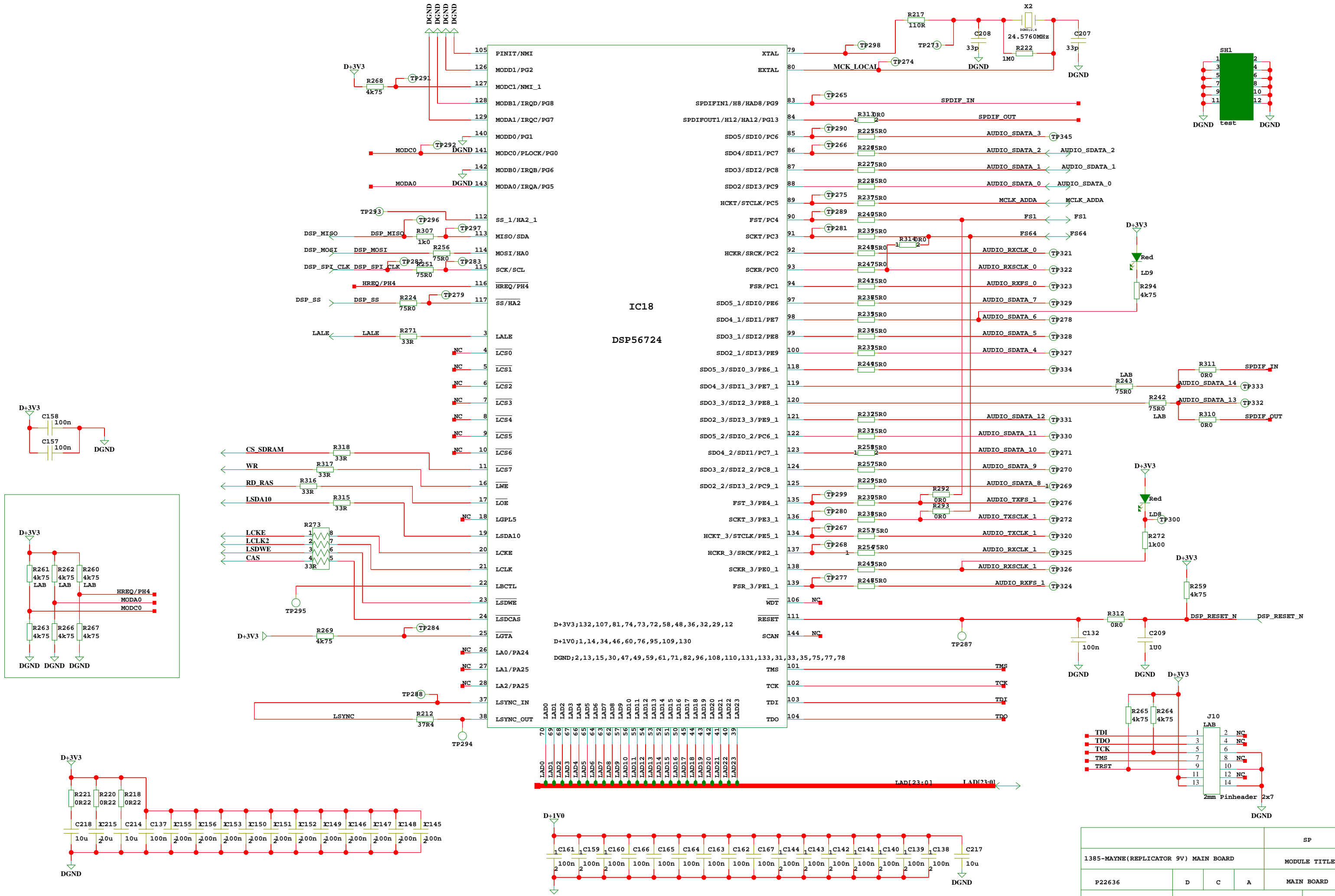
				SP
1385-MAYNE(REPLICATOR 9V) MAIN BOARD				MODULE TITLE
P22636	D	C	A	MAIN BOARD
03/09/2016:00:11	P22636-A			1 6



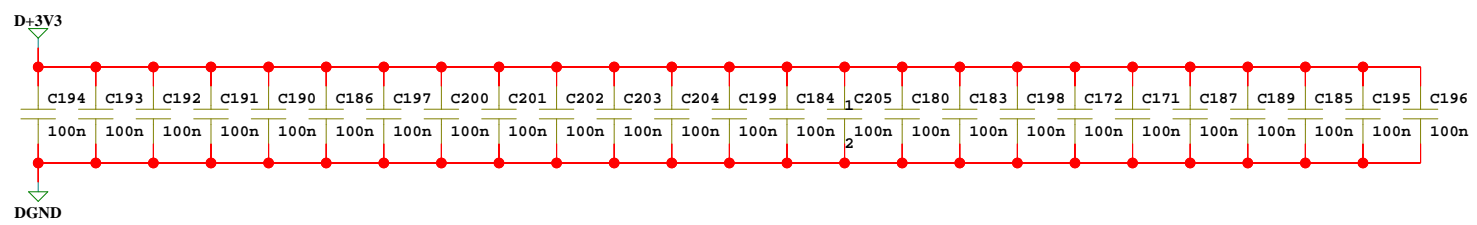
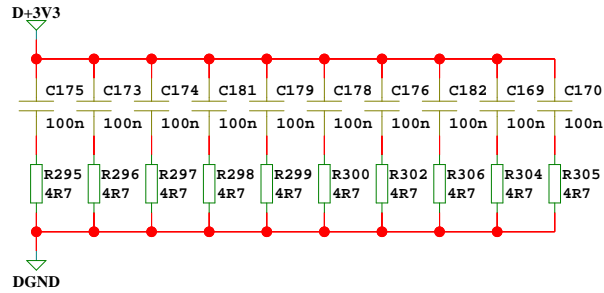
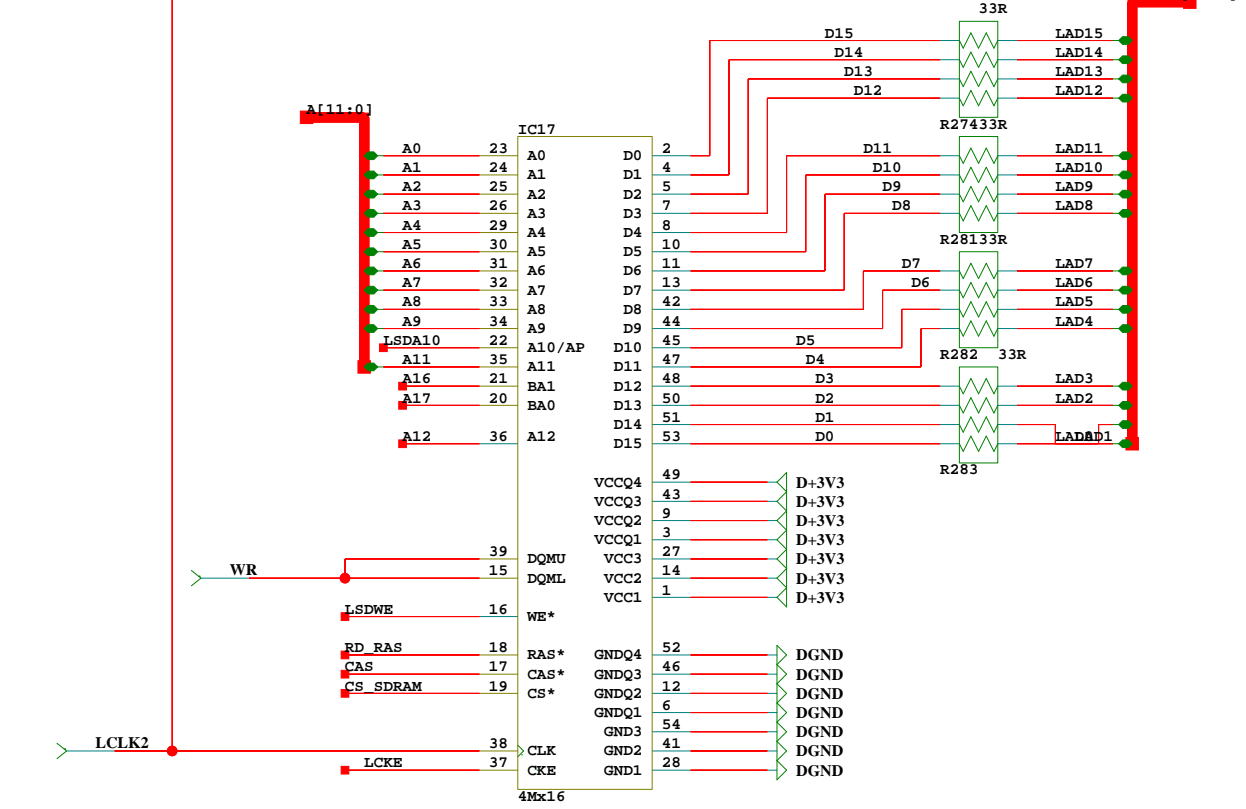
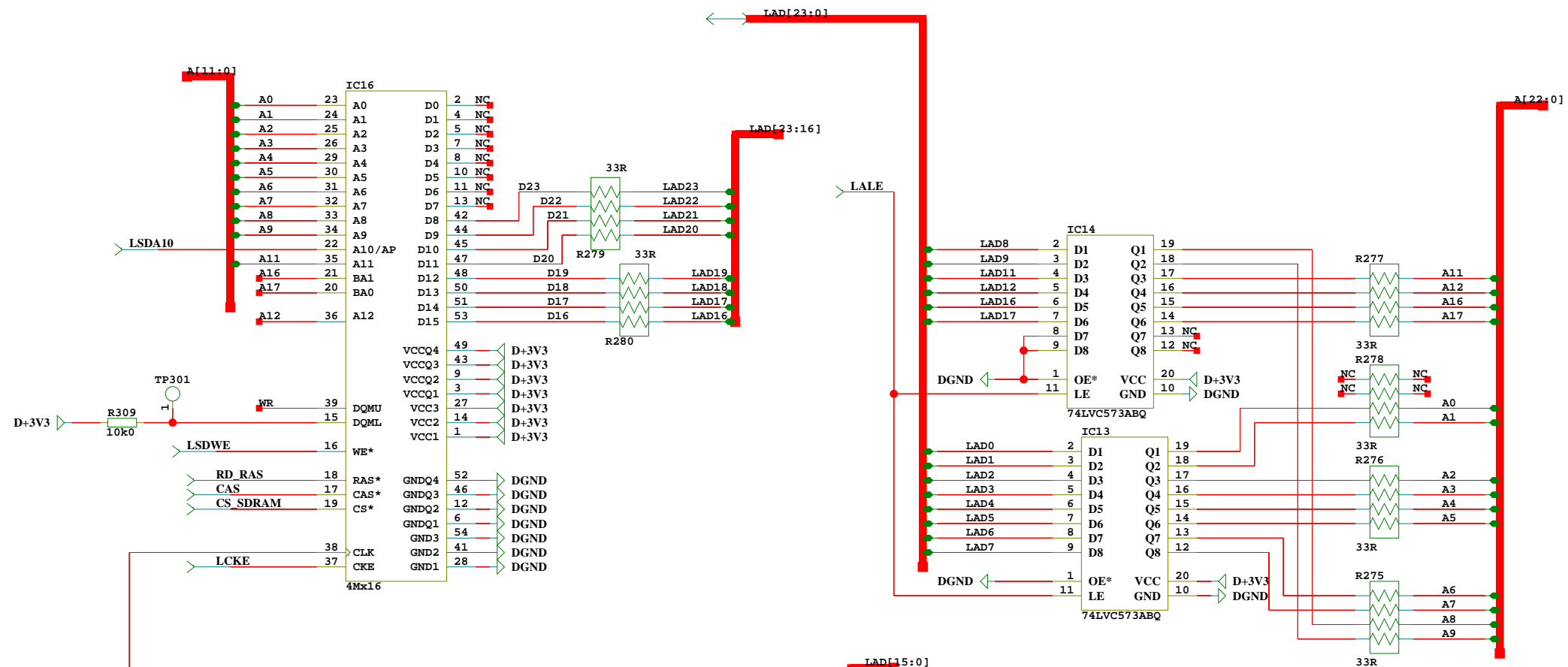
				SP
1385-MAYNE(REPLICATOR 9V) MAIN BOARD				MODULE TITLE
P22636	D	C	A	MAIN BOARD
03/09/2016:00:11	P22636-A			1 6



				SP
1385-MAYNE(REPLICATOR 9V) MAIN BOARD				MODULE TITLE
P22636	D	C	A	MAIN BOARD
03/09/2016:00:11	P22636-A			1 6



1385-MAYNE(REPLICATOR 9V) MAIN BOARD				SP
P22636				MODULE TITLE
03/09/2016:00:11	D	C	A	MAIN BOARD
F22636-A				1 6



				SP
1385-MAYNE(REPLICATOR 9V) MAIN BOARD				MODULE TITLE
F22636	D	C	A	MAIN BOARD
03/09/2016:00:11	F22636-A			1 6

