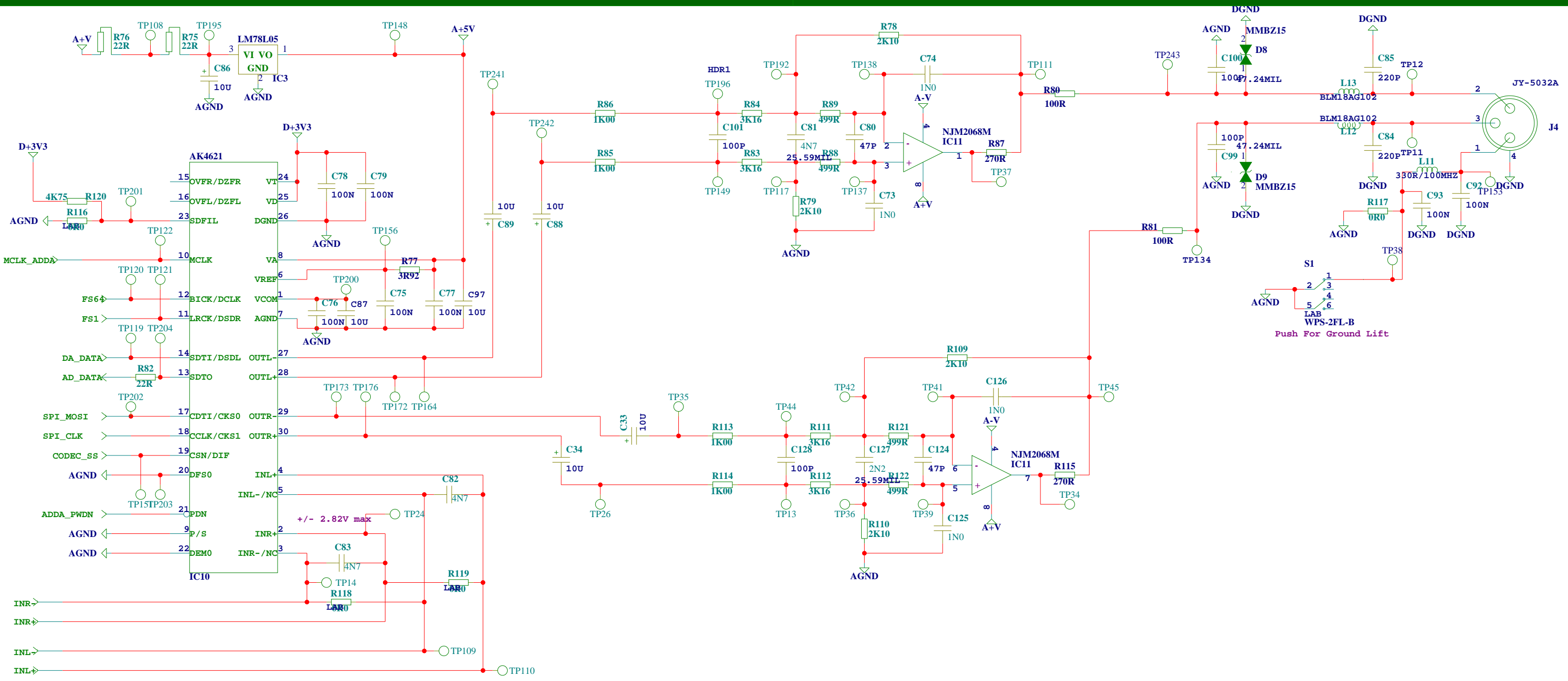
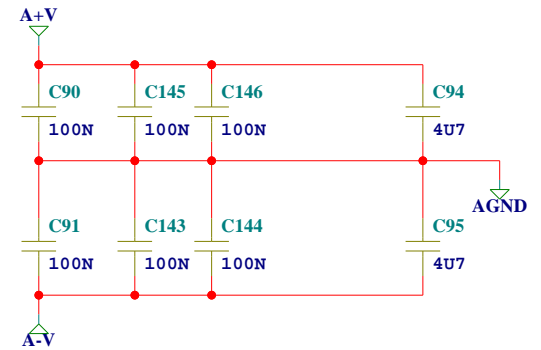


P22623-C
M1

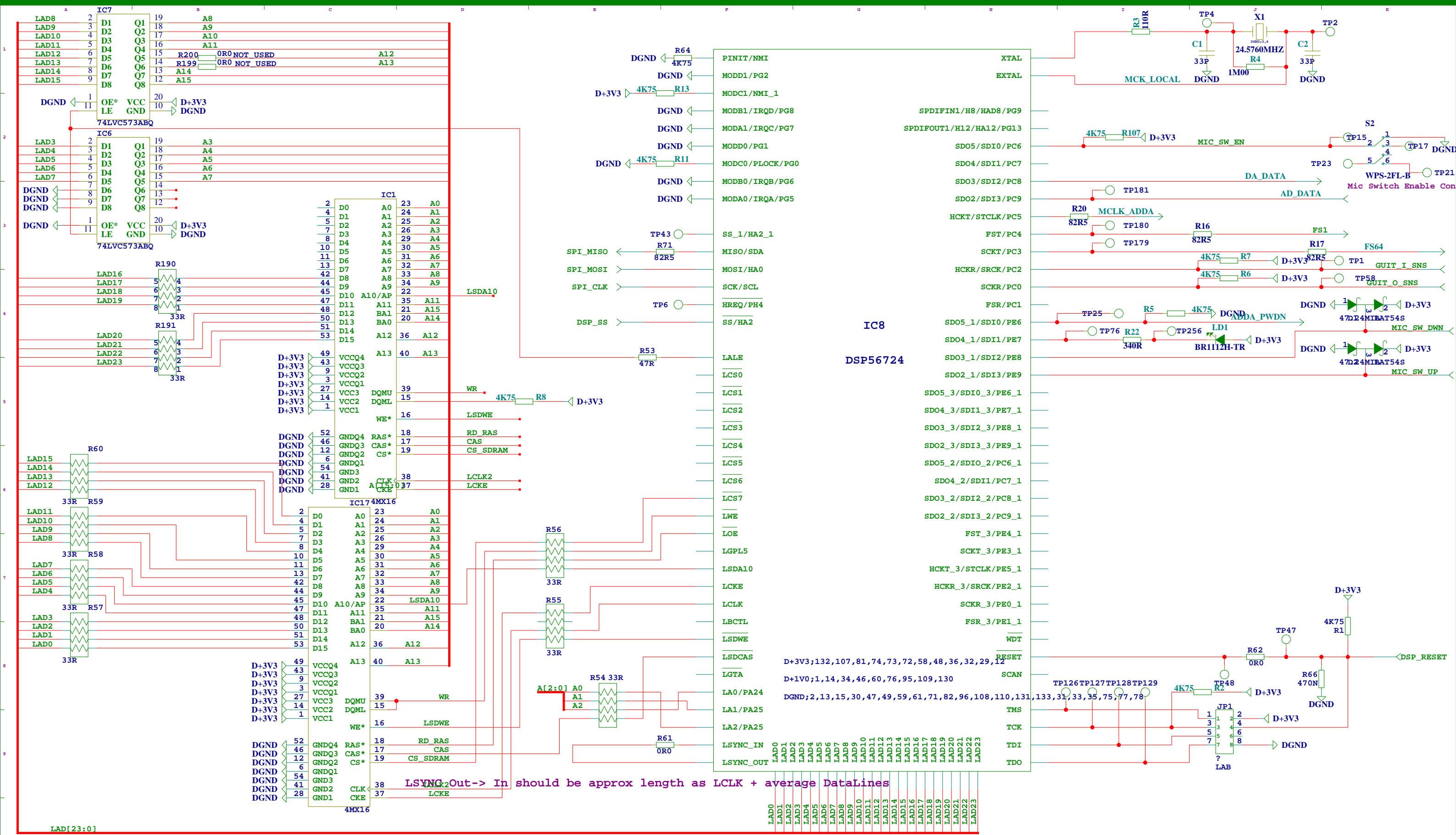
TC Electronic A/S Title CRJ-900		Module title 724 MAINBOARD	Designer DKH
Number P22623-CB	Revision CBE	Previous page XX	
Date 3-4-2011 14:32	Filename P22623-CB	Page / of XX / XX	



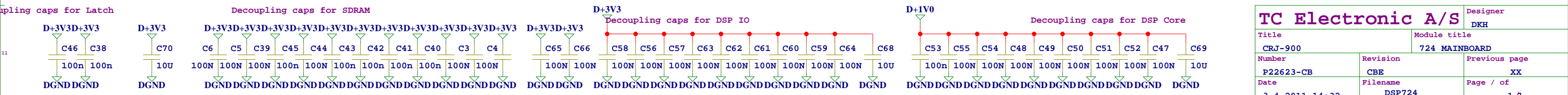
DECOUPLING FOR OUTPUT SECTION



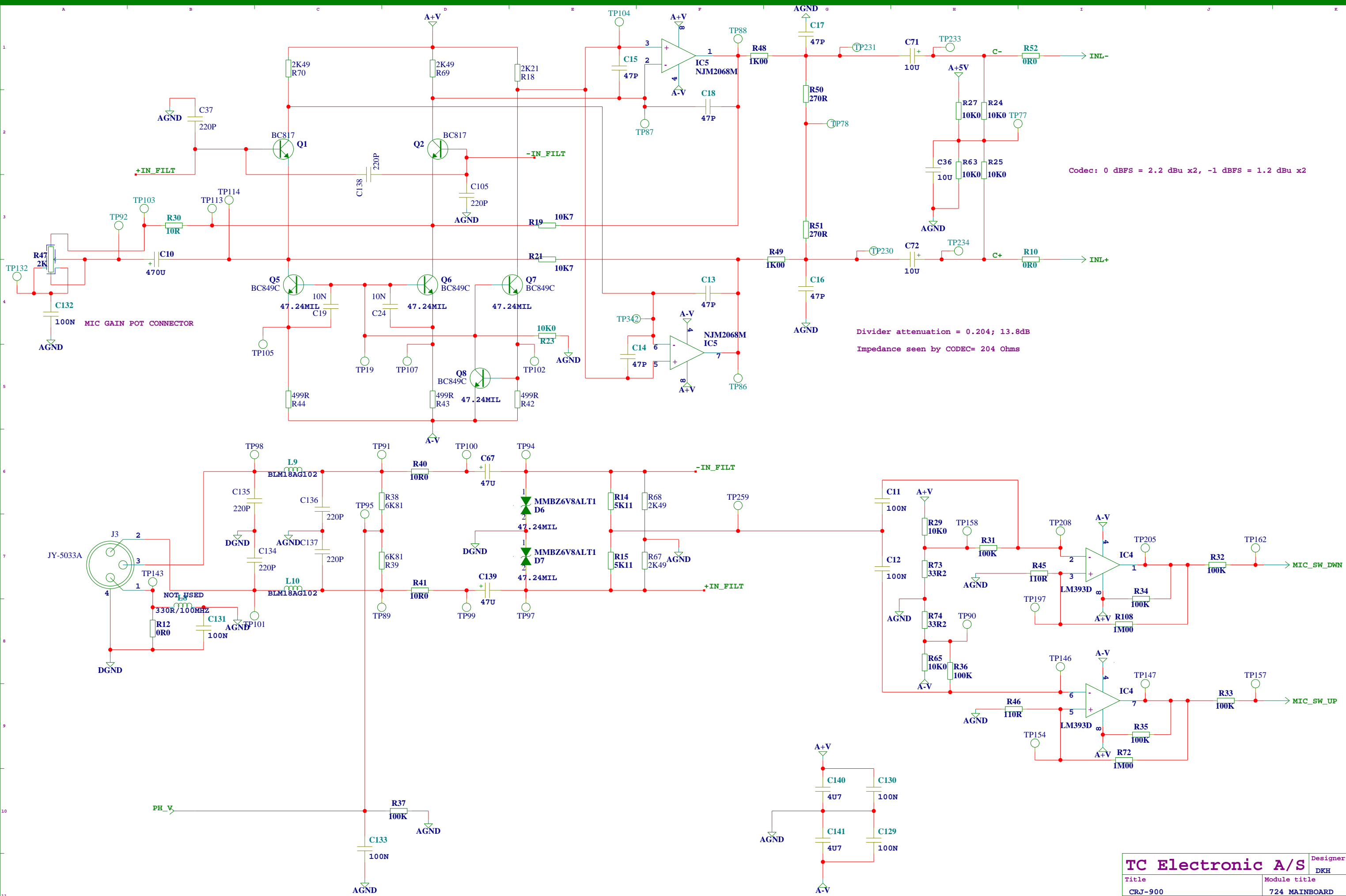
TC Electronic A/S		Designer DKH
Title CRJ-900		Module title 724 MAINBOARD
Number P22623-CB	Revision CBE	Previous page XX
Date 3-4-2011 14:32	Filename HG_ANALOG_OUT	Page / of XX / XX



LSYNC Out-> In should be approx length as LCLK + average DataLines

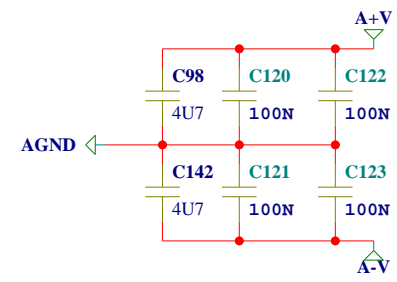
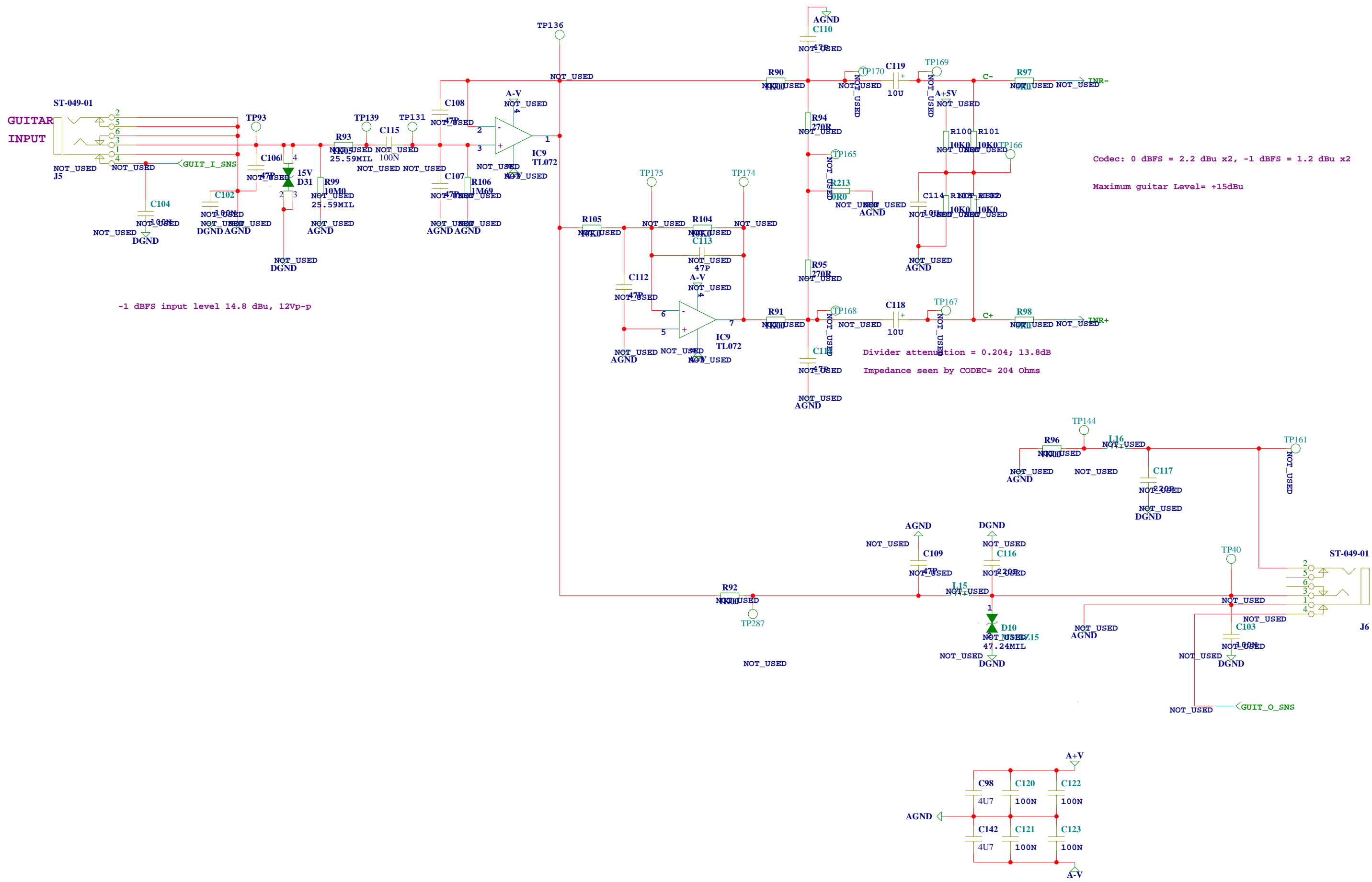


TC Electronic A/S		Designer DKH
Title CRJ-900	Module title 724 MAINBOARD	
Number P22623-CB	Revision CBE	Previous page XX
Date 3-4-2011 14:32	Filename DSP724	Page / of 1 / 1



DECOUPLING FOR INPUT SECTION

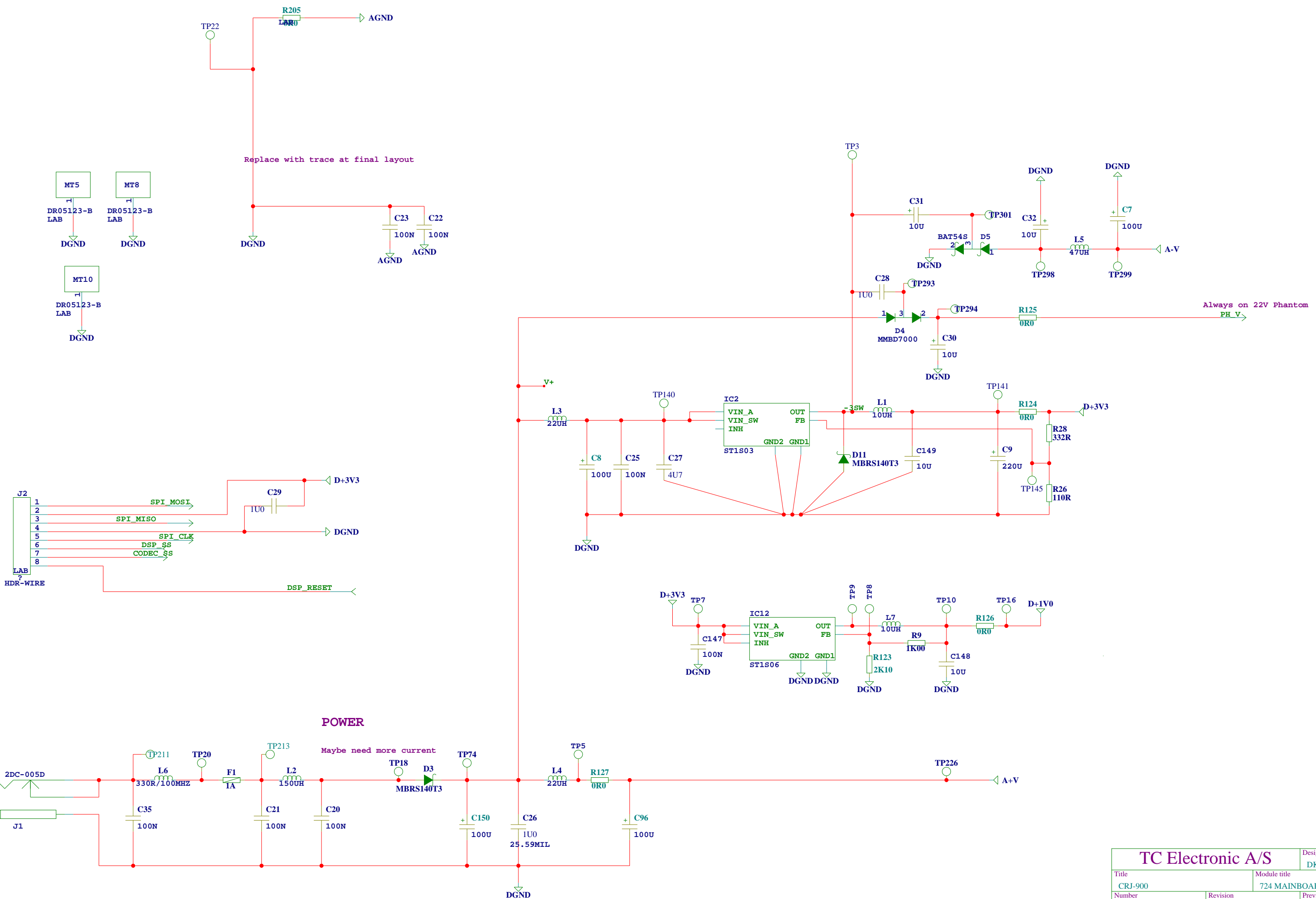
TC Electronic A/S		Designer DKH
Title CRJ-900		Module title 724 MAINBOARD
Number P22623-CB	Revision CBE	Previous page XX
Date 3-4-2011 14:32	Filename G_MIC_INPUT	Page / of 1 / 1



TC Electronic A/S

Title		Module title
CRJ-900		724 MAINBOARD
Number	Revision	Previous page
P22623-CB	CBE	XX
Date	Filename	Page / of
3-4-2011 14:32	GUITAR_INPUT	1 / 1

Designer
DKH



TC Electronic A/S		Designer DKH
Title CRJ-900	Module title 724 MAINBOARD	
Number P22623-CB	Revision CBE	Previous page XX
Date 3-4-2011 14:32	Filename INTERFACE	Page / of XX / XX