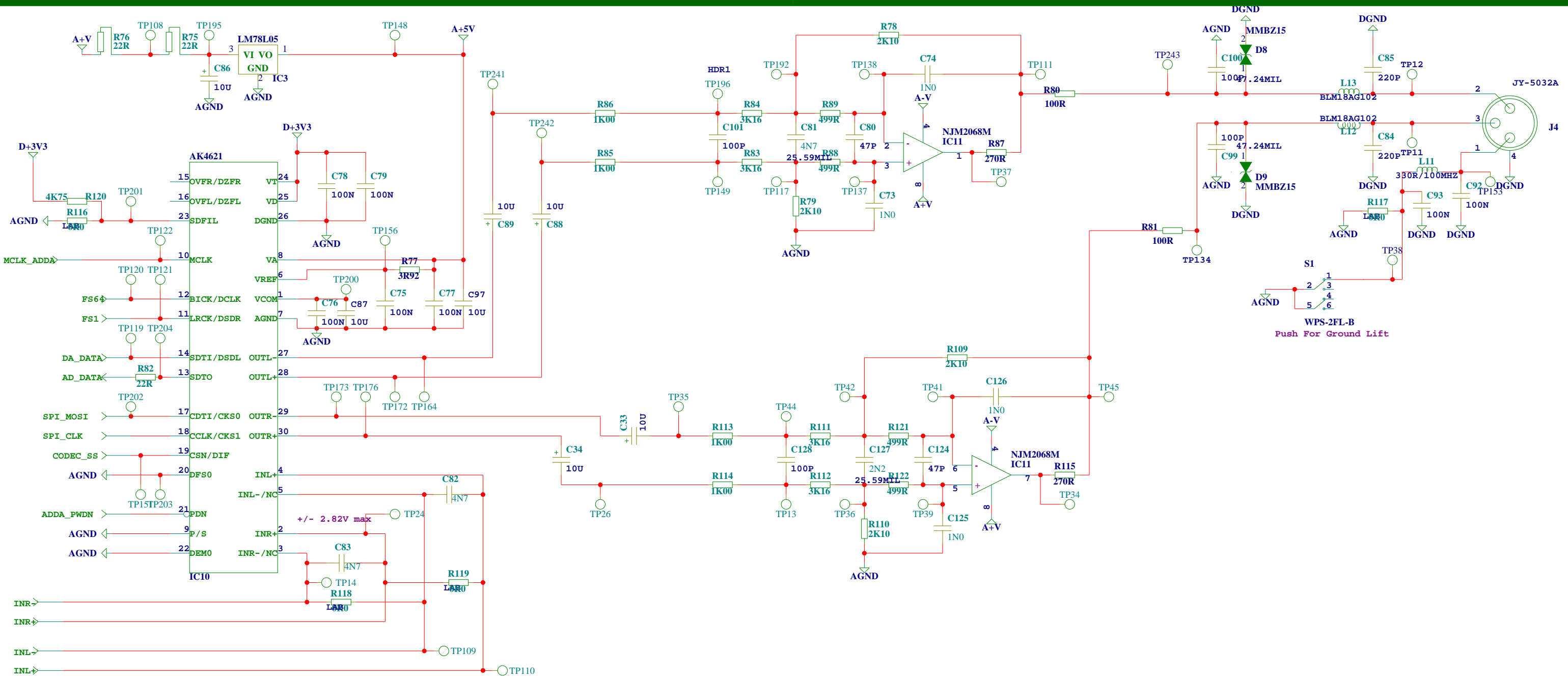
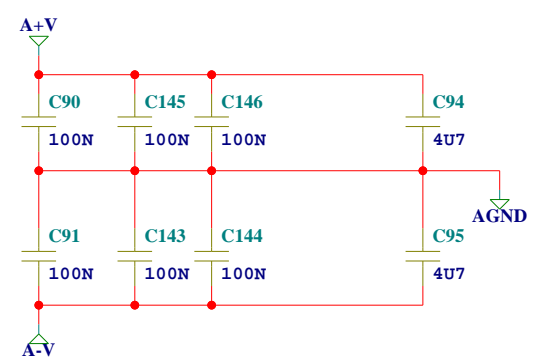


P22623-C  
M1

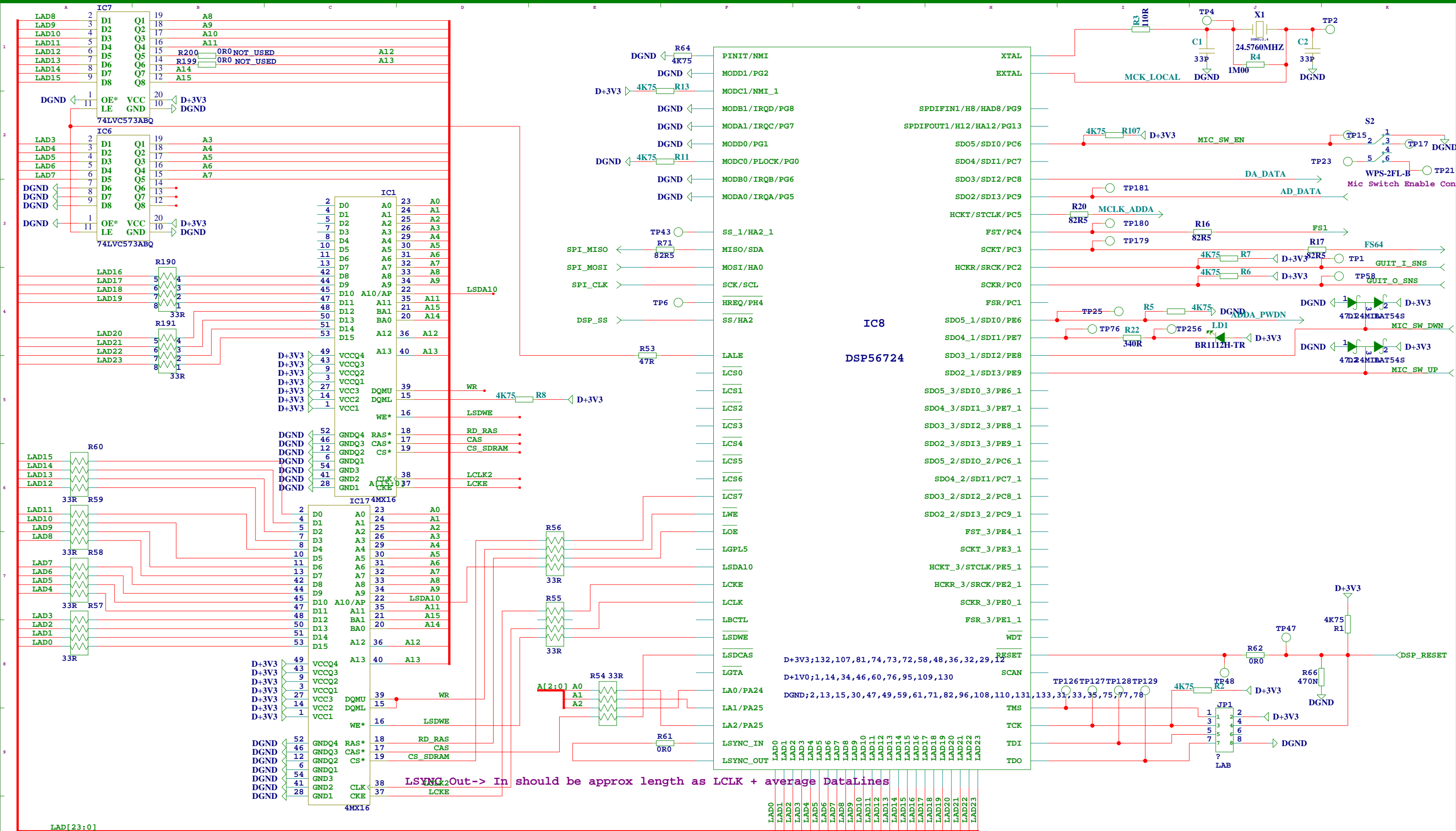
<b>TC Electronic A/S</b>		Designer <b>DKH</b>
Title <b>CRJ-900</b>		Module title <b>724 MAINBOARD</b>
Number <b>P22623-C</b>	Revision <b>CAD</b>	Previous page <b>XX</b>
Date <b>2-15-2011 17:02</b>	Filename <b>P22623-C</b>	Page / of <b>XX / XX</b>



DECOUPLING FOR OUTPUT SECTION



<b>TC Electronic A/S</b>		Designer DKH
Title CRJ-900		Module title 724 MAINBOARD
Number P22623-C	Revision CAD	Previous page XX
Date 2-15-2011 17:02	Filename HG_ANALOG_OUT	Page / of XX / XX



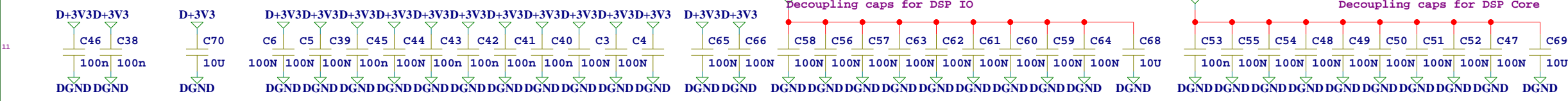
LSYNC2 Out-> In should be approx length as LCLK + average DataLines

Decoupling caps for Latch

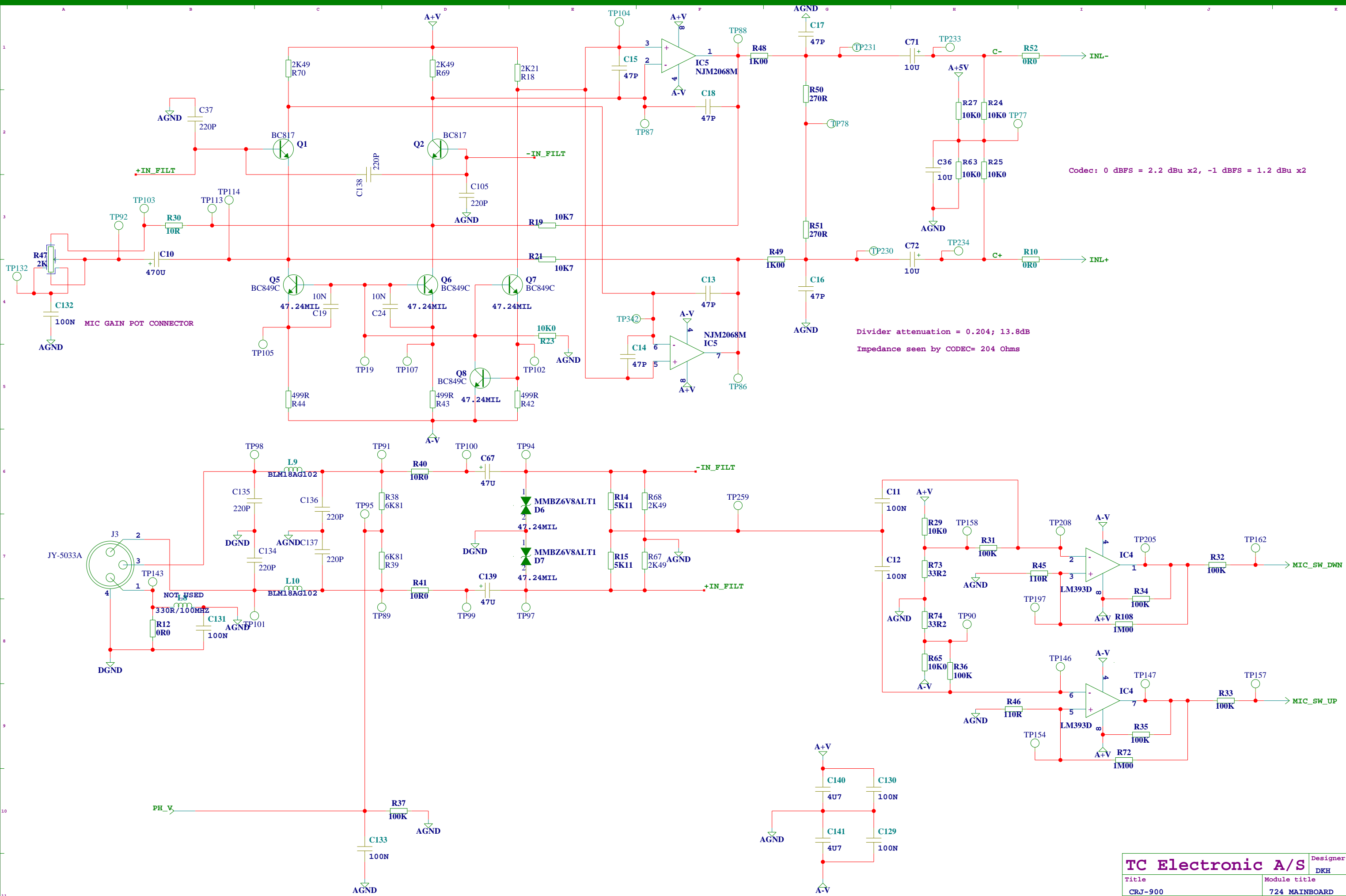
Decoupling caps for SDRAM

Decoupling caps for DSP IO

Decoupling caps for DSP Core



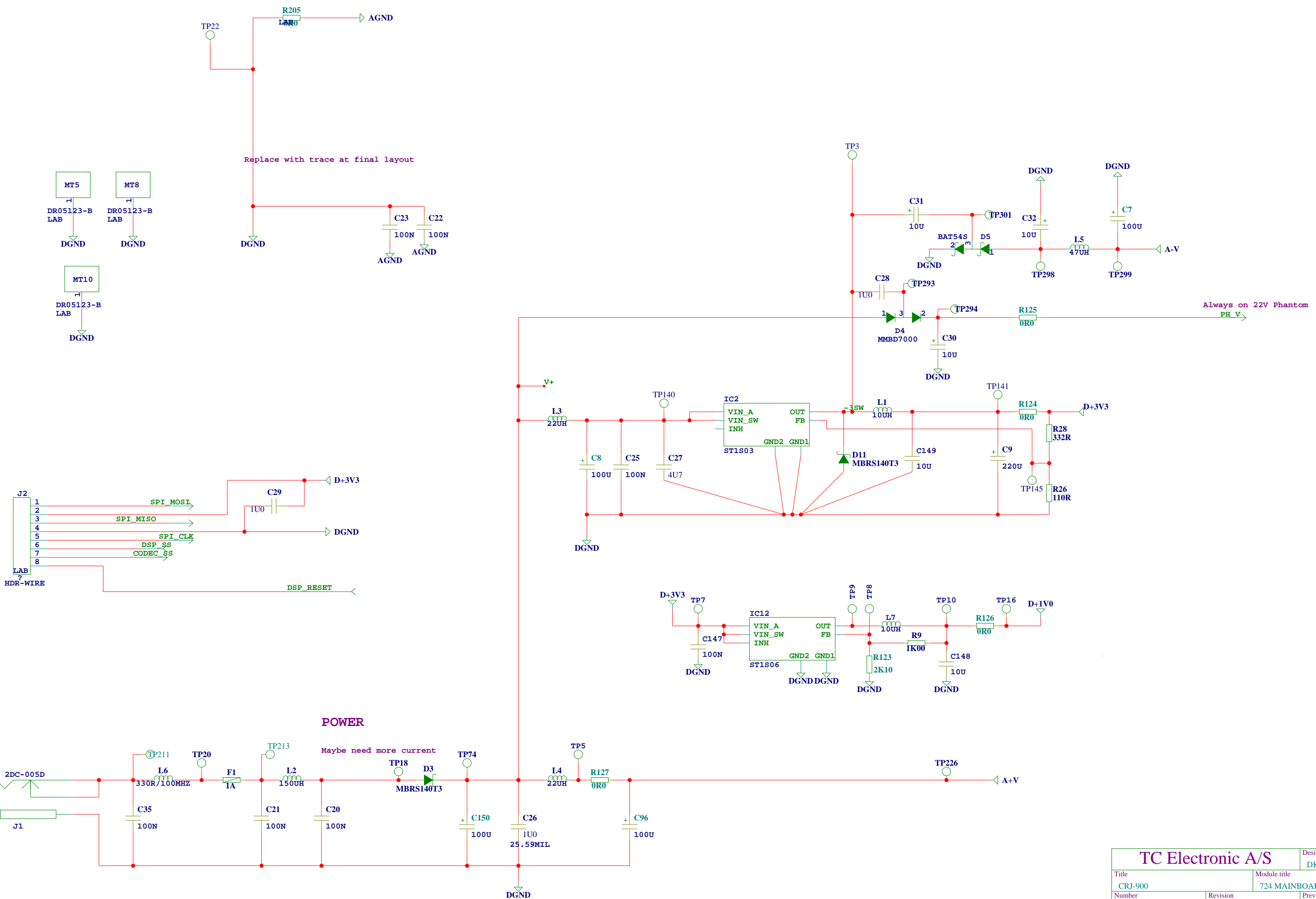
<b>TC Electronic A/S</b>		Designer DKH
Title CRJ-900	Module title 724 MAINBOARD	
Number P22623-C	Revision CAD	Previous page XX
Date 2-16-2011 14:25	Filename DSP724	Page / of 1 / 1



DECOUPLING FOR INPUT SECTION

<b>TC Electronic A/S</b>		Designer DKH
Title CRJ-900		Module title 724 MAINBOARD
Number P22623-C	Revision CAD	Previous page XX
Date 2-15-2011 17:02	Filename G_MIC_INPUT	Page / of 1 / 1





<b>TC Electronic A/S</b>		Designer DKH
Title CRJ-900		Module title 724 MAINBOARD
Number P22623-C	Revision CAD	Previous page XX
Date 2-15-2011 17:02	Filename INTERFACE	Page / of XX / XX