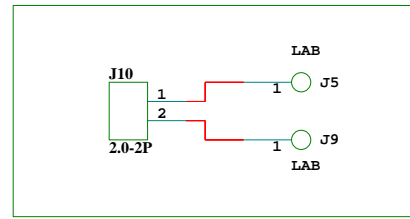
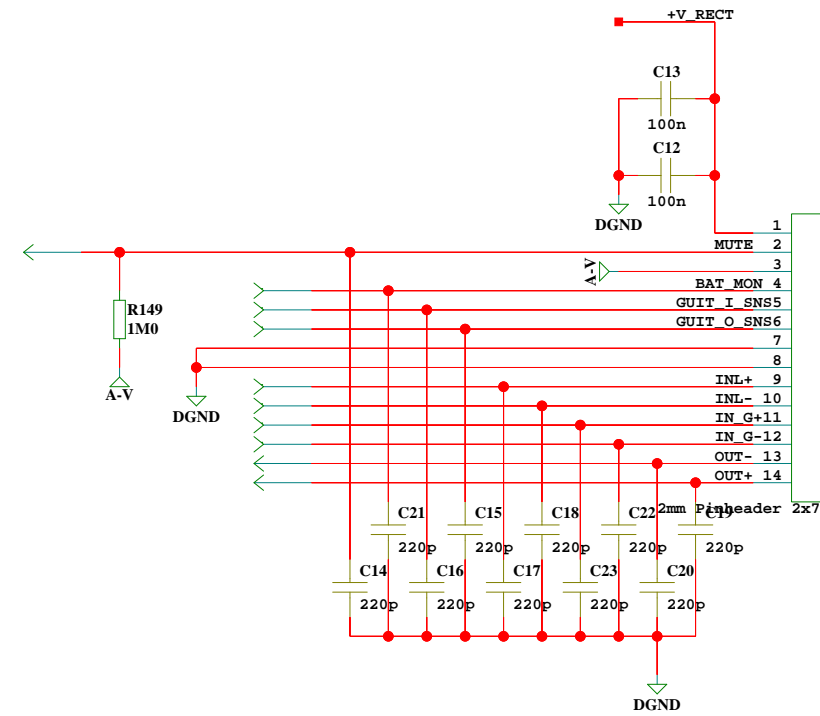


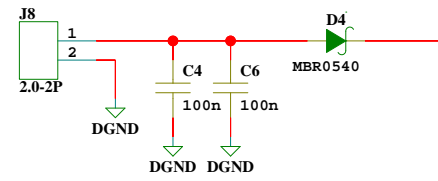
BATTERY BOARD



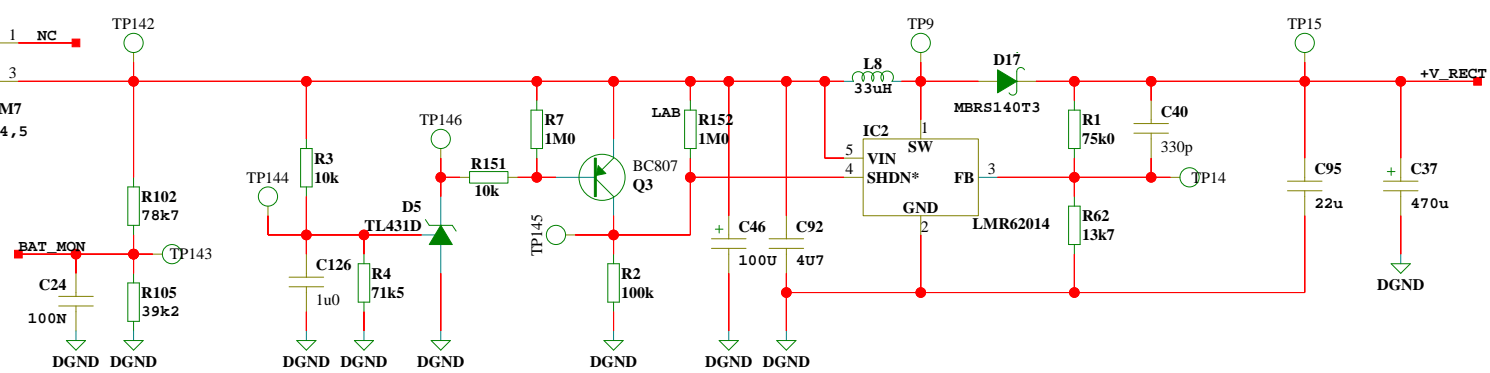
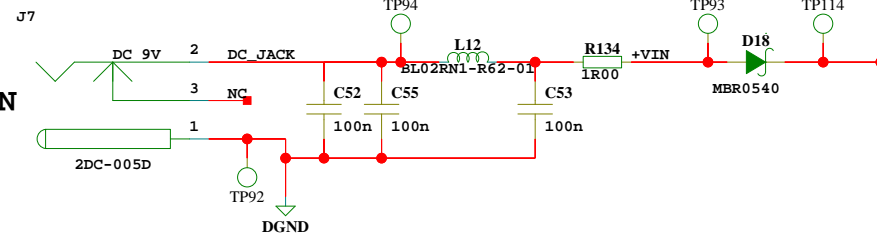
MAIN BRD. CONN.



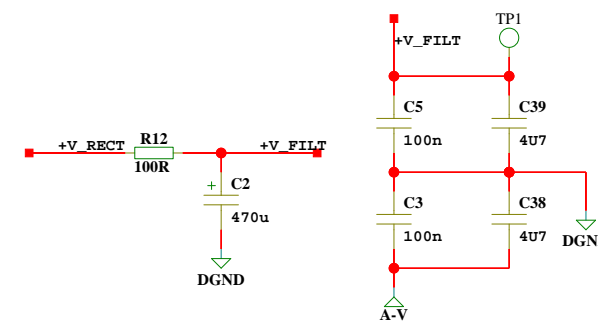
BATTERY CONN.



DC PWR IN

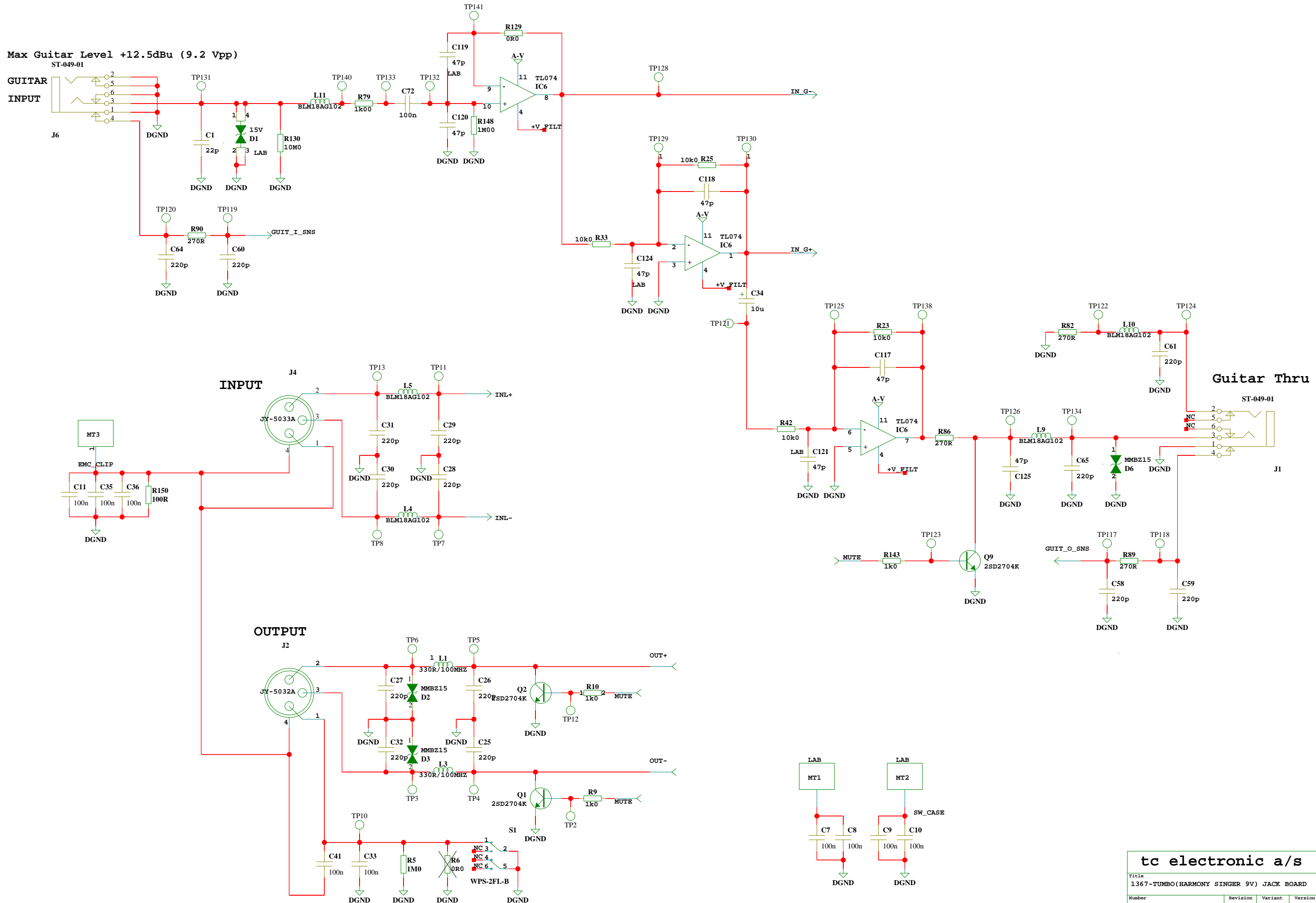


DECOUPLING



M1
P22635-C

| | | | | | |
|--|----------|---------|---------|--------------|--------------|
| tc electronic a/s | | | | Designer(s) | SP |
| 1367-TUMBO(HARMONY SINGER 9V) JACK BOARD | | | | Module title | MODULE TITLE |
| Number | Revision | Variant | Version | Board type | |
| P22635 | C | A | A | JACKBOARD | |
| Date | Filename | | | Page / of | |
| 15/07/2016:21:48 | P22635-A | | | 1 / 2 | |



| | | | | | |
|--|----------|---------|---------|--------------|--------------|
| tc electronic a/s | | | | Designer(s) | SP |
| 1367-TUMBO(HARMONY SINGER 9V) JACK BOARD | | | | Module title | MODULE TITLE |
| Number | Revision | Variant | Version | Board type | |
| P22635 | C | A | A | JACKBOARD | |
| Date | Filename | | | Page / of | |
| 15/07/2016:21:48 | P22635-A | | | 1 / 2 | |

