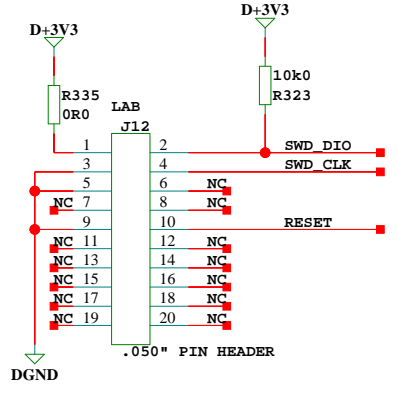
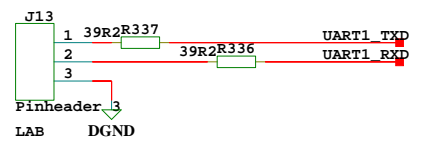


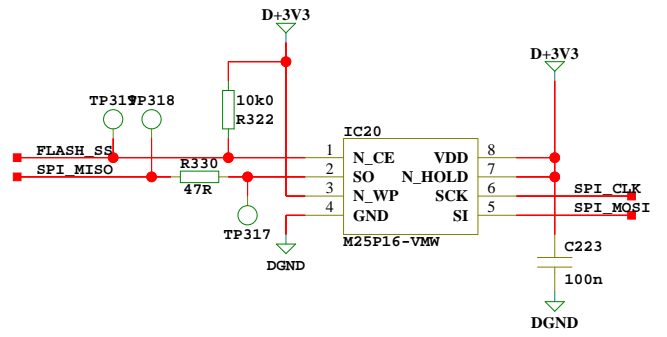
MCU DEBUG/PROG HEADER



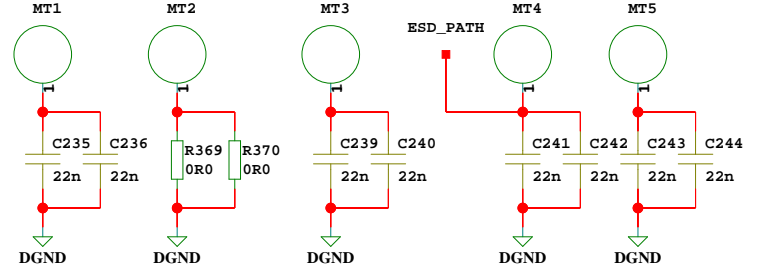
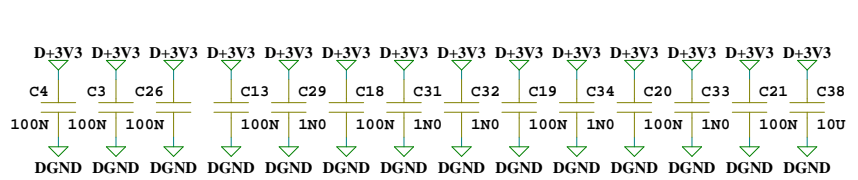
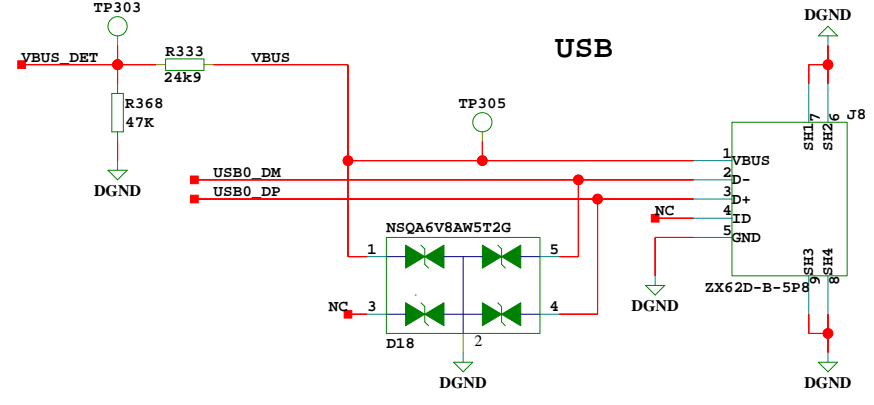
Optional Debug Comm Header



BOOT FLASH



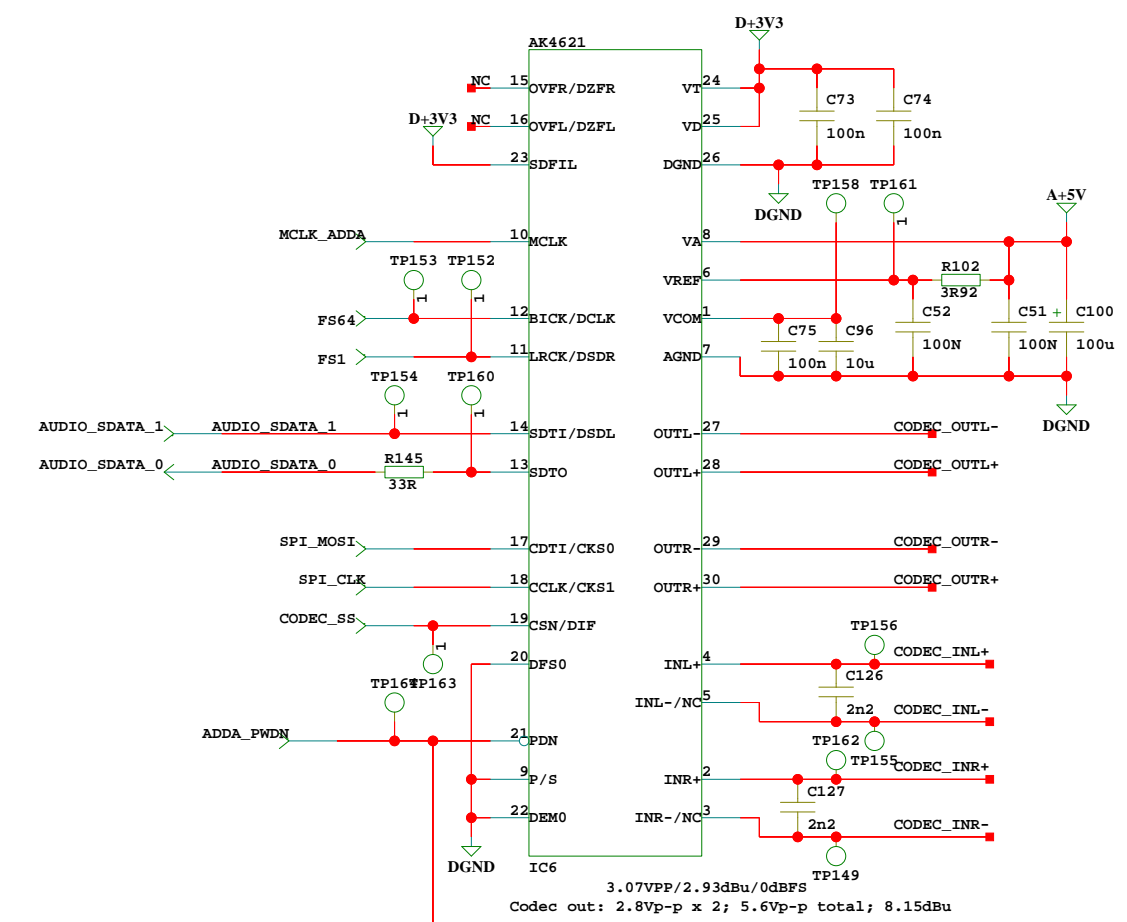
USB



M1 P22636-D

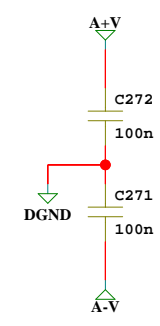
tc electronic a/s				Designer(s)	SP
Title 1367-TUMBO(HARMONY SINGER 9V) MAIN BOARD				Module title MODULE TITLE	
Number P22636	Revision D	Variant A	Version A	Board type MAIN BOARD	
Date 02/09/2016:22:37	Filename			Page / of 1 / 6	

AUDIO CODEC

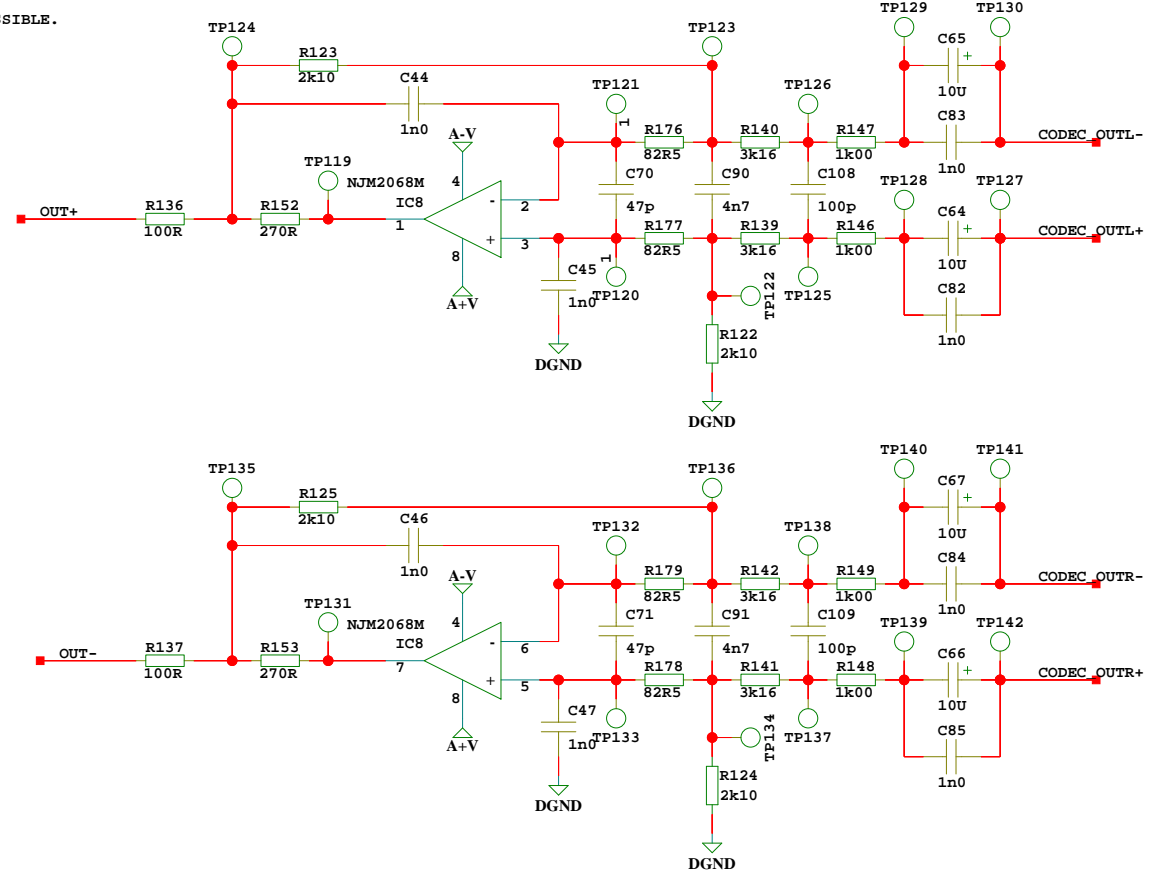


OP-AMP BYPASS

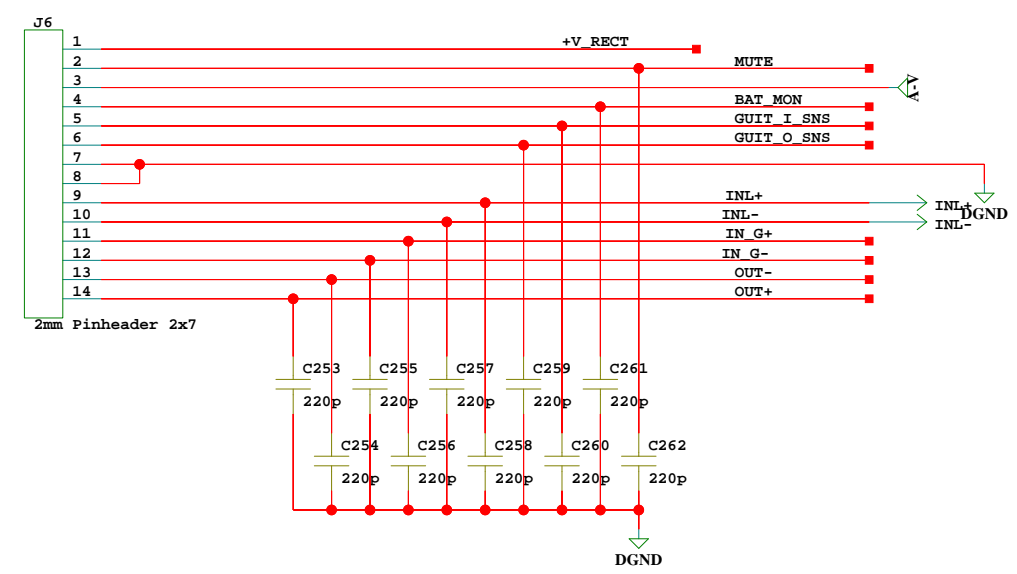
PLACE AS CLOSE TO THE IC BODY AS POSSIBLE.



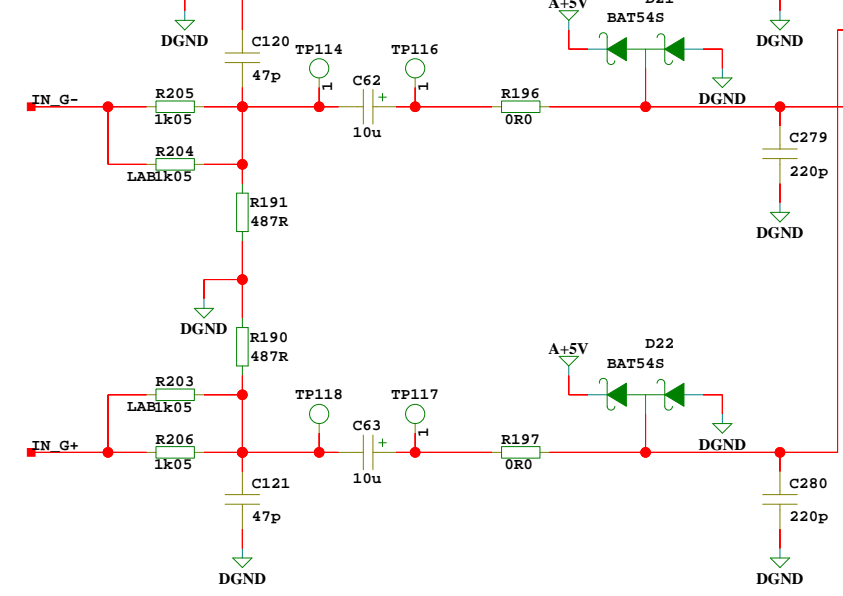
MIC OUT



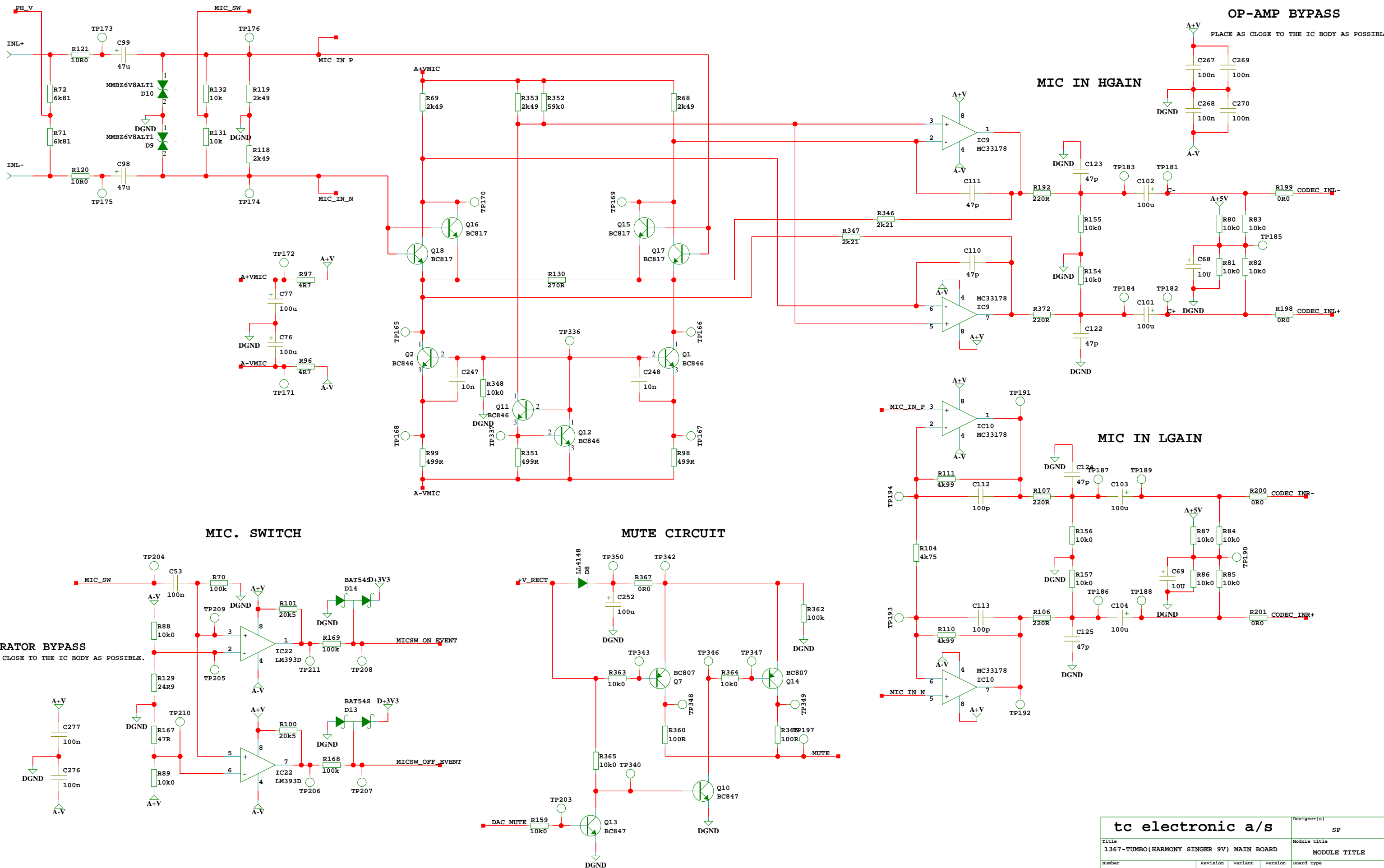
TO JACK BOARD



-10dB GUITAR IN FILTER



tc electronic a/s				Designer(s)	SP
1367-TUMBO(HARMONY SINGER 9V) MAIN BOARD				Module title	
MODULE TITLE				Board type	
Number	Revision	Variant	Version	MAIN BOARD	
P22636	D	A	A		
Date	Filename	Page / of			
02/09/2016:22:37	P22636-A	1 / 6			



OP-AMP BYPASS

PLACE AS CLOSE TO THE IC BODY AS POSSIBLE

MIC IN HGAIN

MIC IN LGAIN

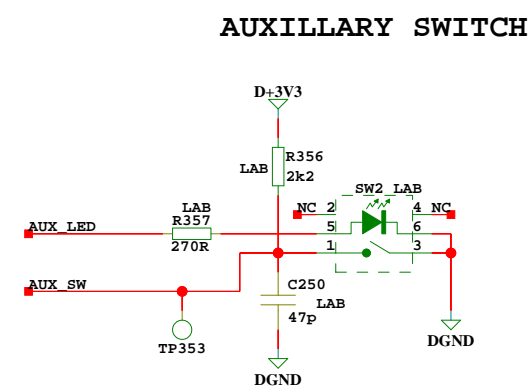
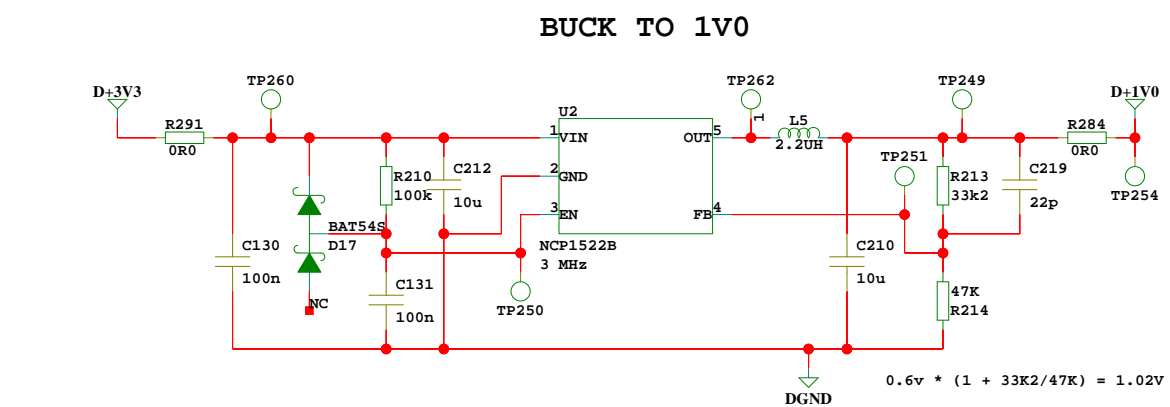
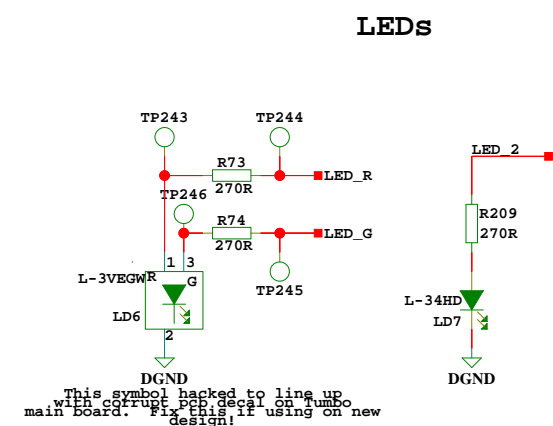
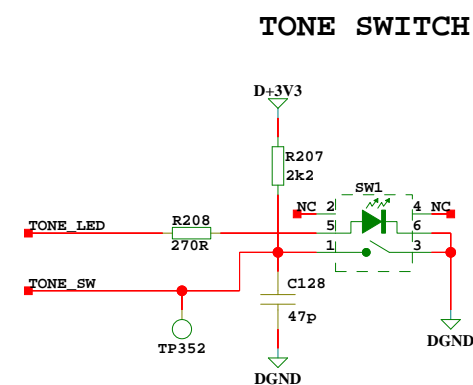
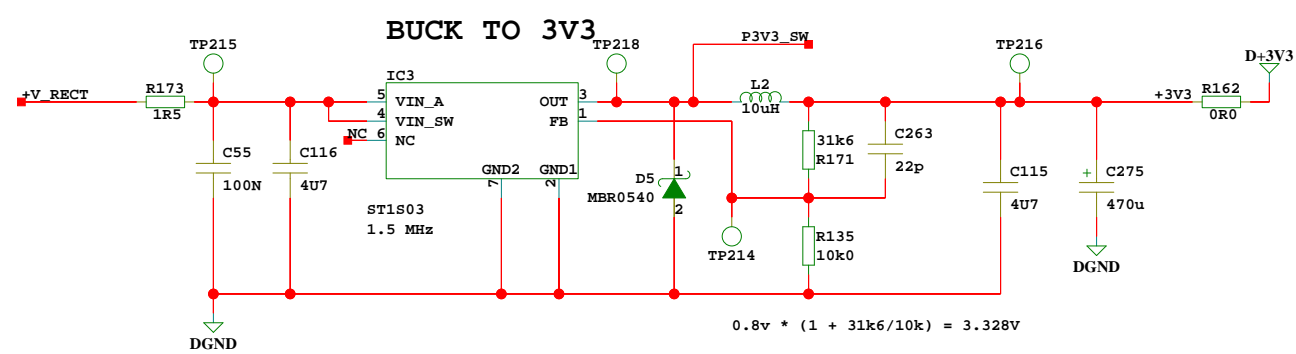
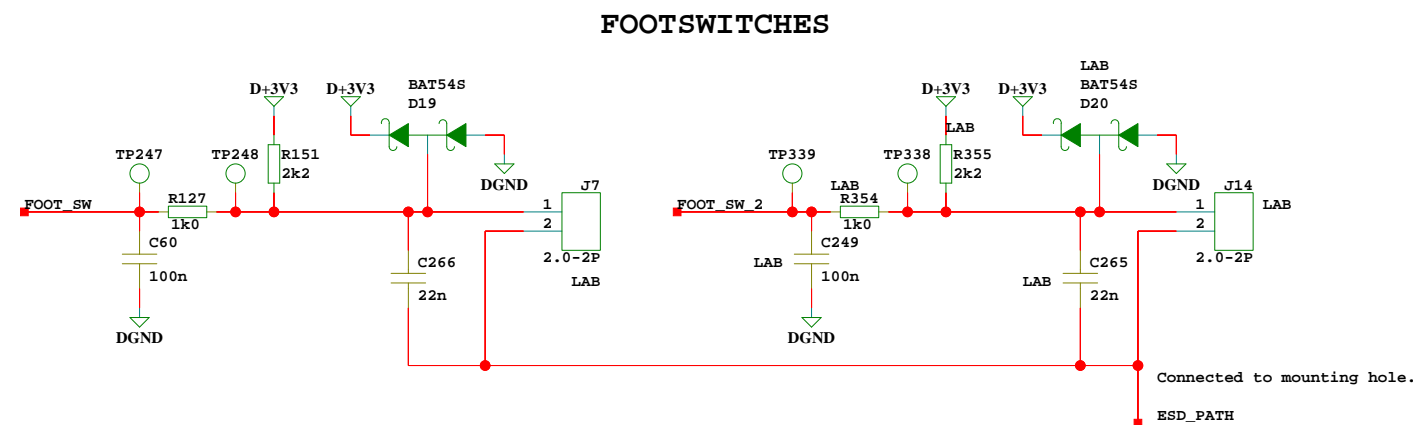
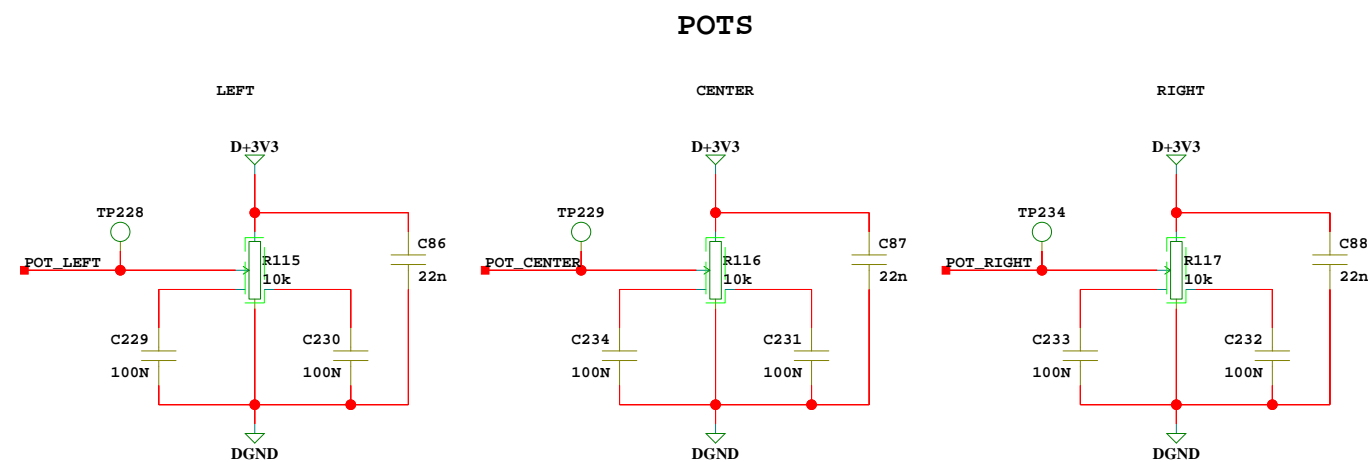
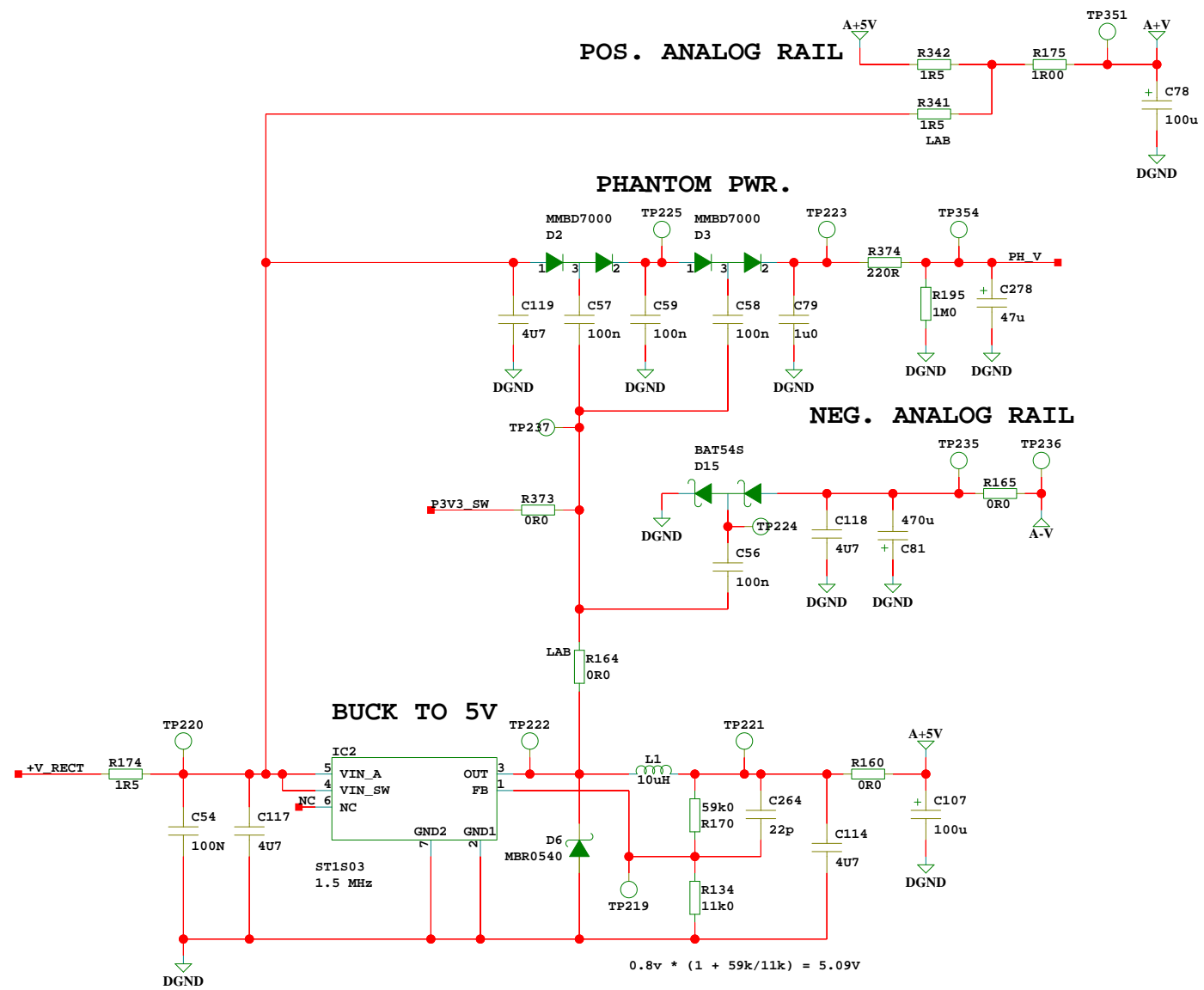
MIC. SWITCH

MUTE CIRCUIT

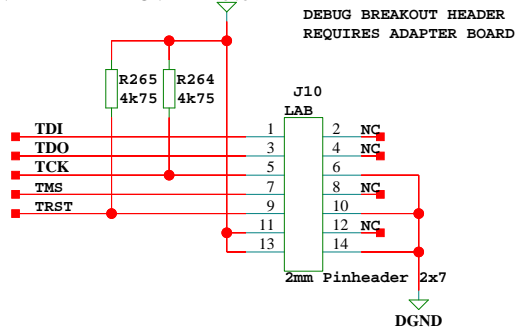
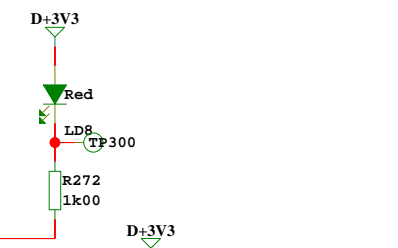
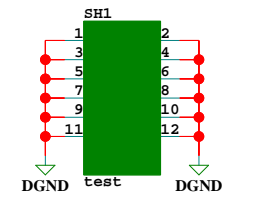
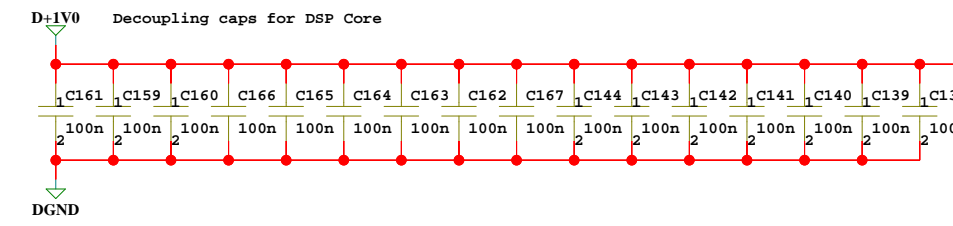
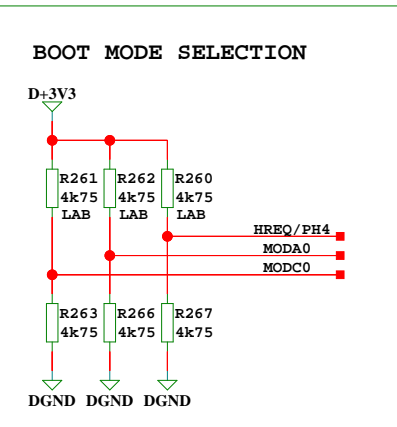
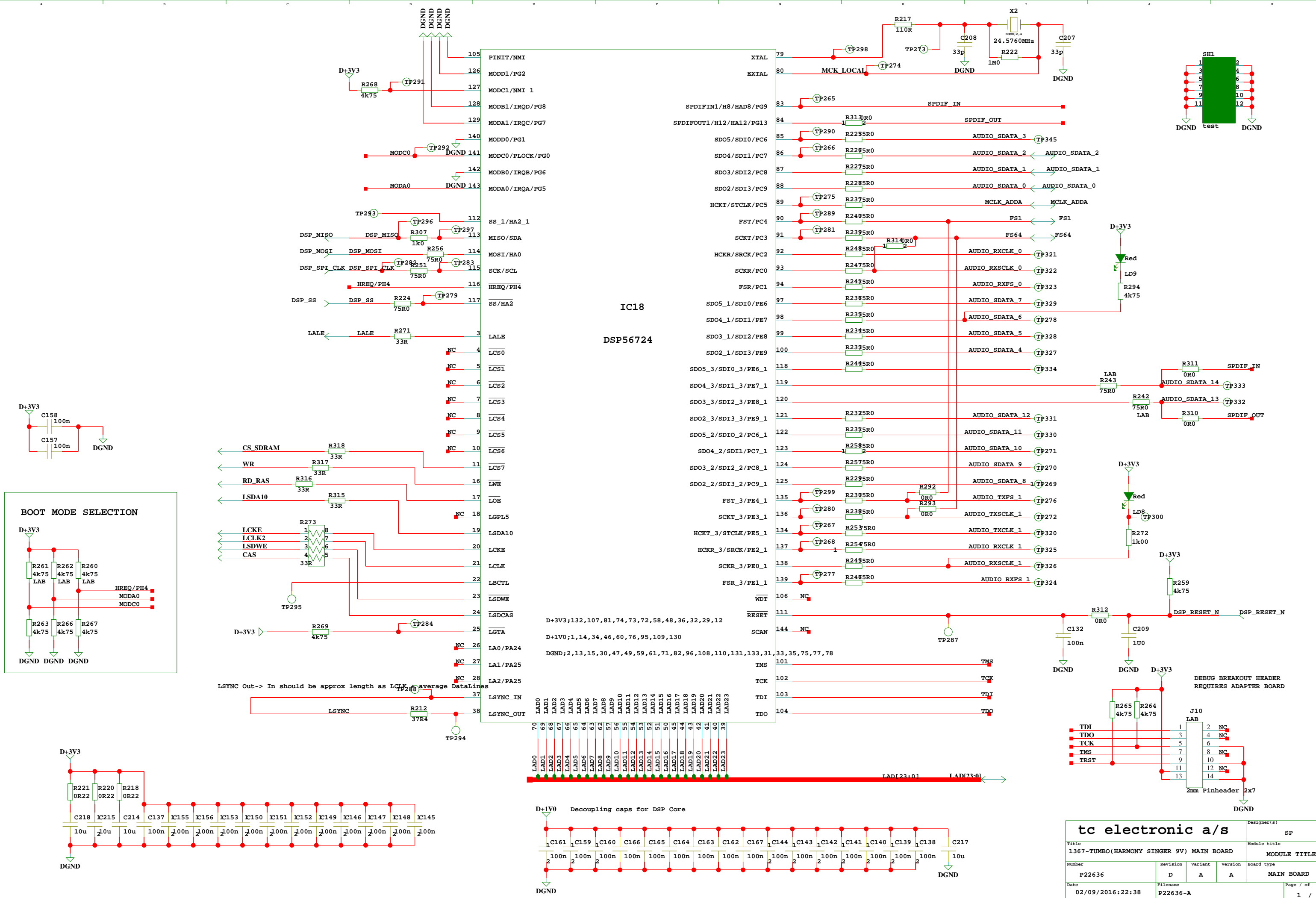
COMPARATOR BYPASS

PLACE AS CLOSE TO THE IC BODY AS POSSIBLE.

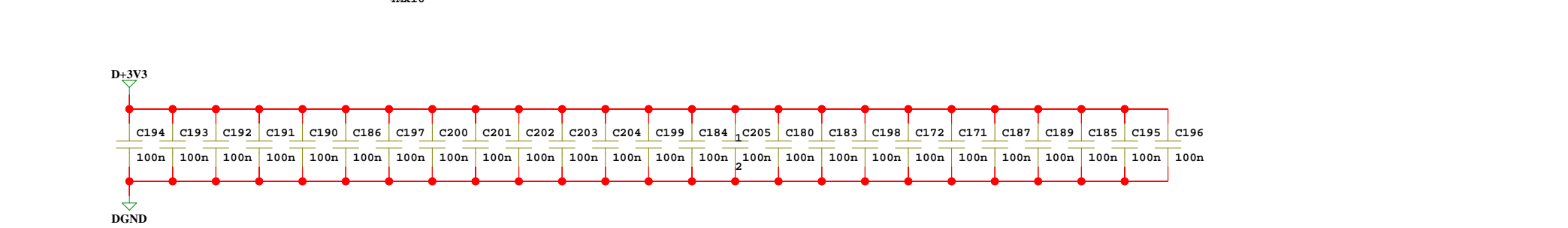
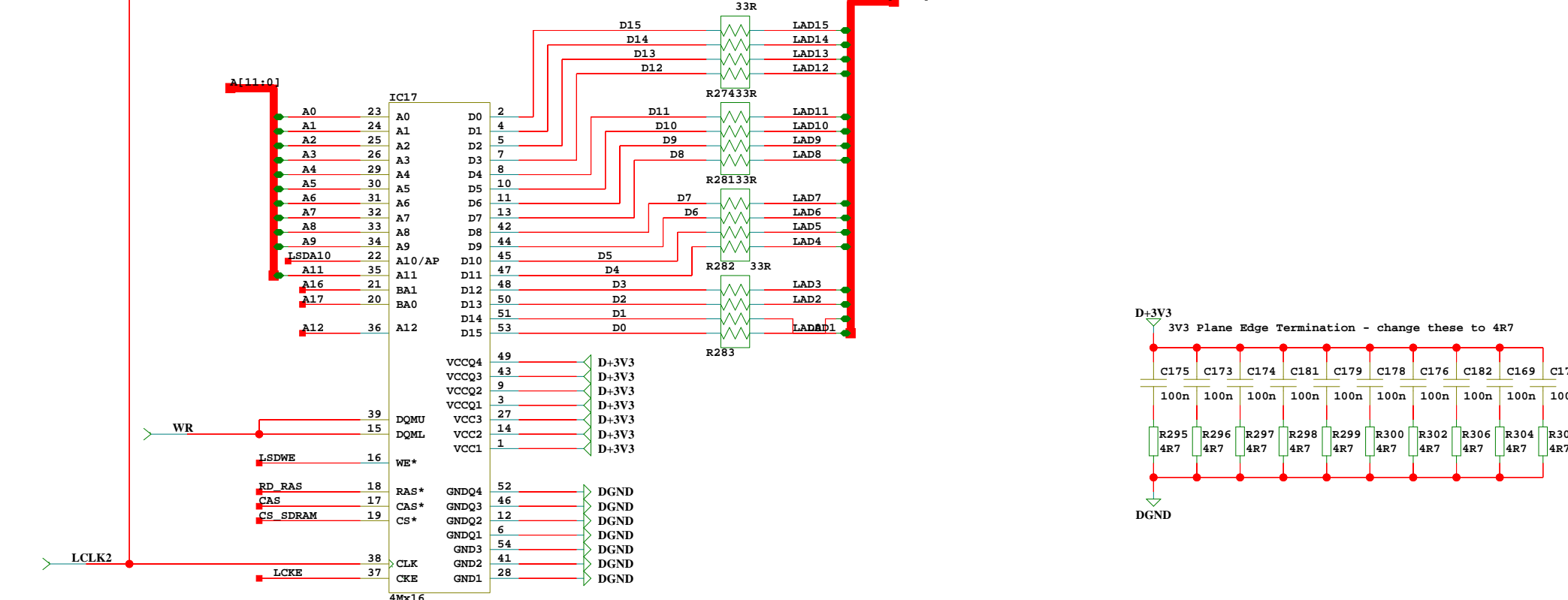
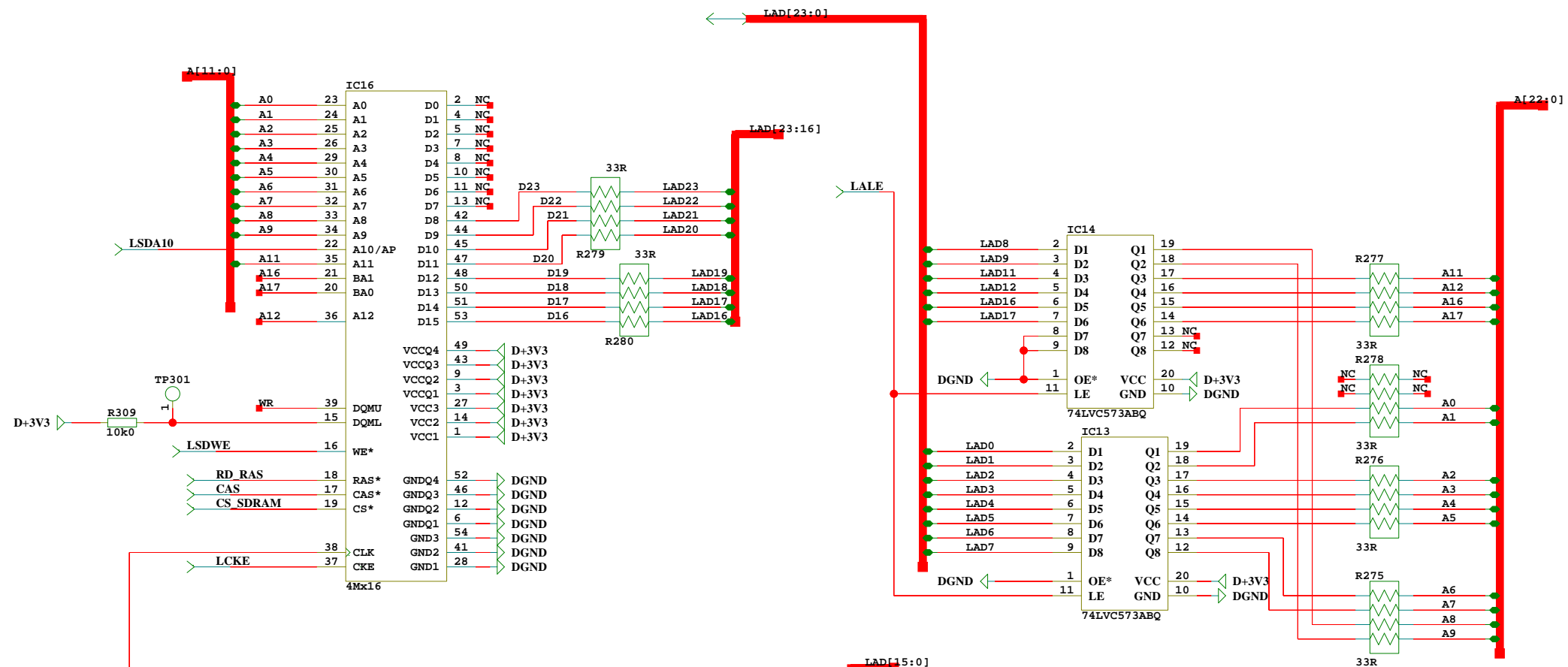
tc electronic a/s				Designer(s)	SP
1367-TUMBO(HARMONY SINGER 9V) MAIN BOARD				Module title	MODULE TITLE
Number	Revision	Variant	Version	Board type	
P22636	D	A	A	MAIN BOARD	
Date	Filename			Page / of	
02/09/2016:22:37	P22636-A			1 / 6	



tc electronic a/s				Designer(s)	SP
Title				Module title	
1367-TUMBO(HARMONY SINGER 9V) MAIN BOARD				MODULE TITLE	
Number	Revision	Variant	Version	Board type	
P22636	D	A	A	MAIN BOARD	
Date	Filename				Page / of
02/09/2016:22:37	P22636-A				1 / 6



tc electronic a/s			Designer(s) SP
Title 1367-TUMBO(HARMONY SINGER 9V) MAIN BOARD			Module title MODULE TITLE
Number P22636	Revision D	Variant A	Version A
Date 02/09/2016:22:38	Filename P22636-A		Board type MAIN BOARD
Page / of 1 / 6			



tc electronic a/s				Designer(s)	SP
Title 1367-TUMBO(HARMONY SINGER 9V) MAIN BOARD				Module title MODULE TITLE	
Number P22636	Revision D	Variant A	Version A	Board type MAIN BOARD	
Date 02/09/2016:22:38	Filename P22636-A			Page / of 1 / 6	

