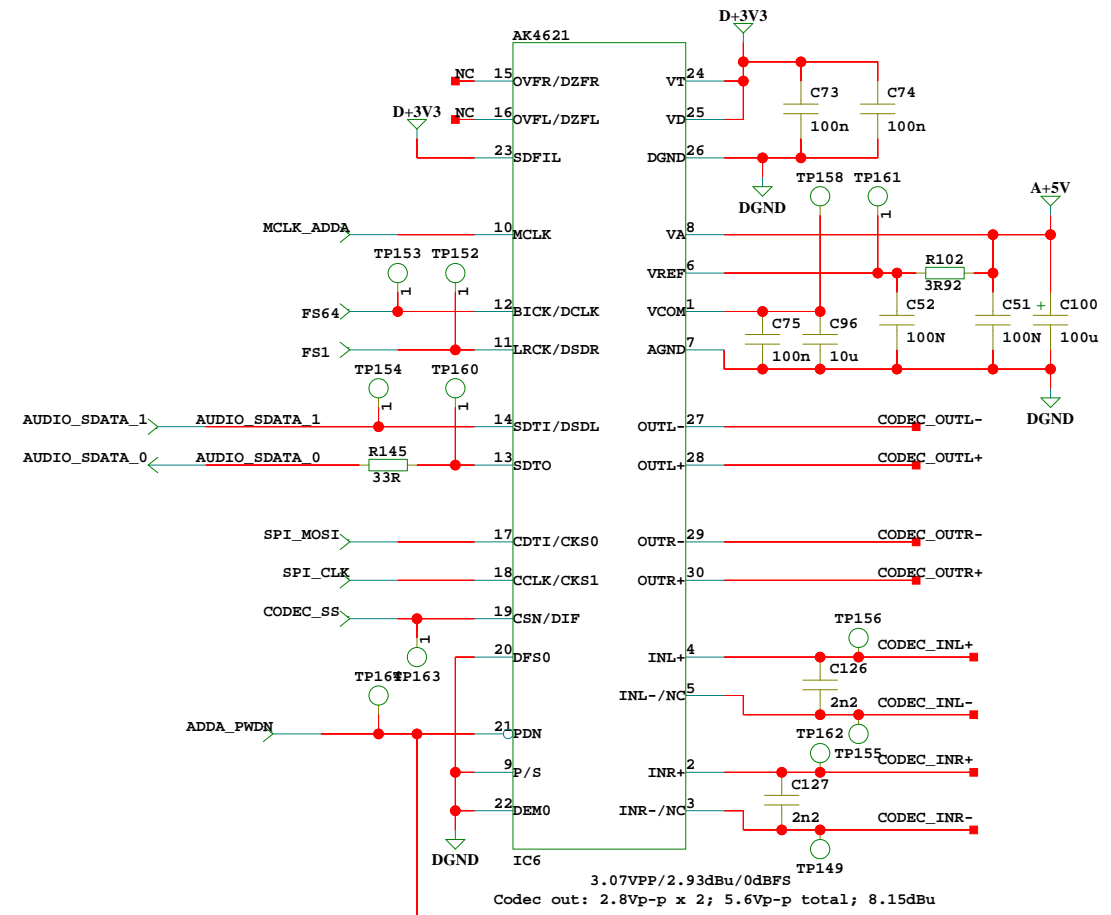
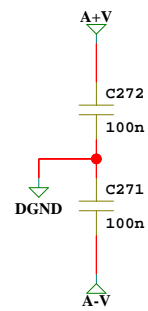


AUDIO CODEC

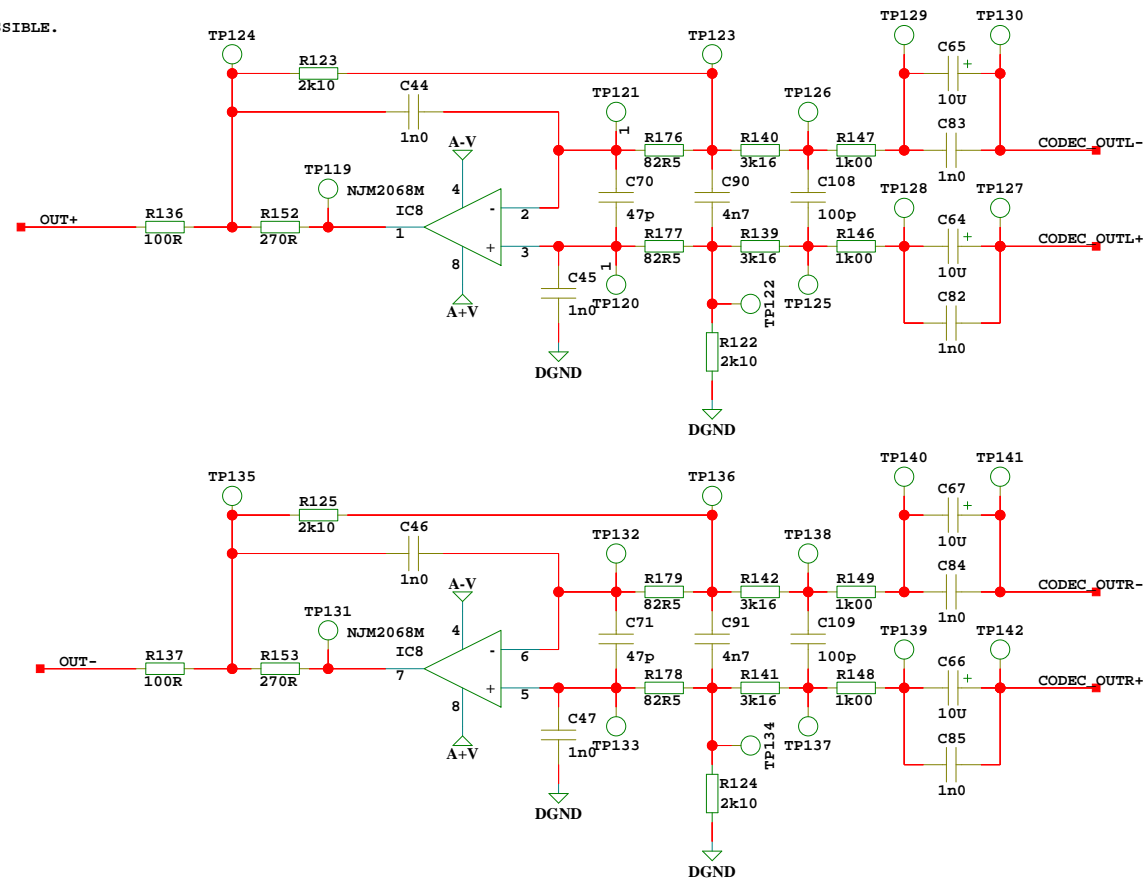


OP-AMP BYPASS

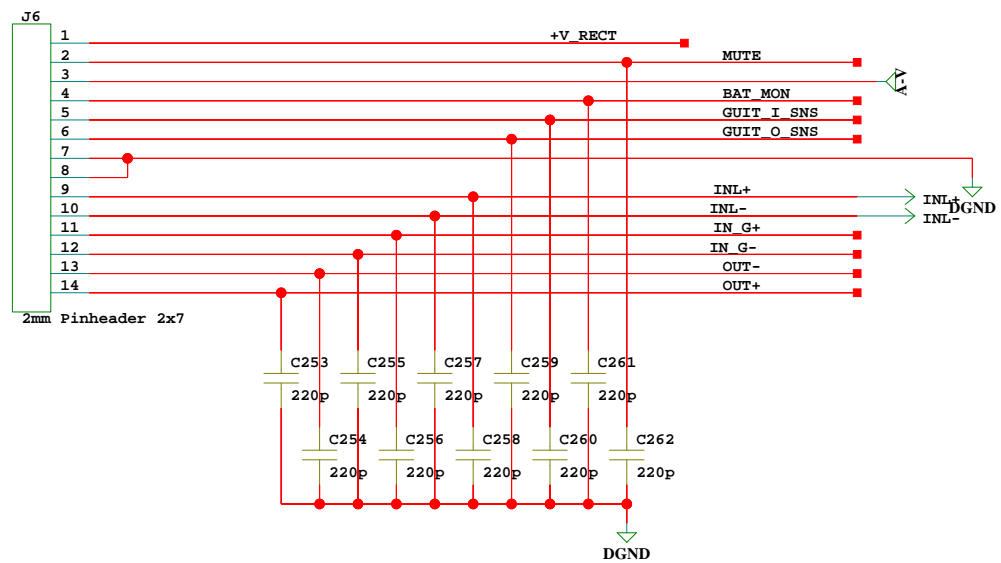
PLACE AS CLOSE TO THE IC BODY AS POSSIBLE.



MIC OUT

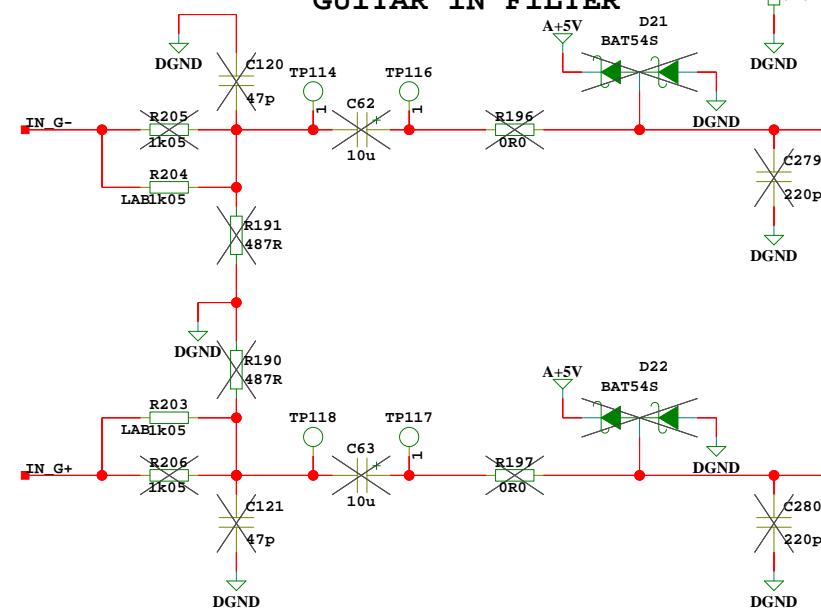


TO JACK BOARD

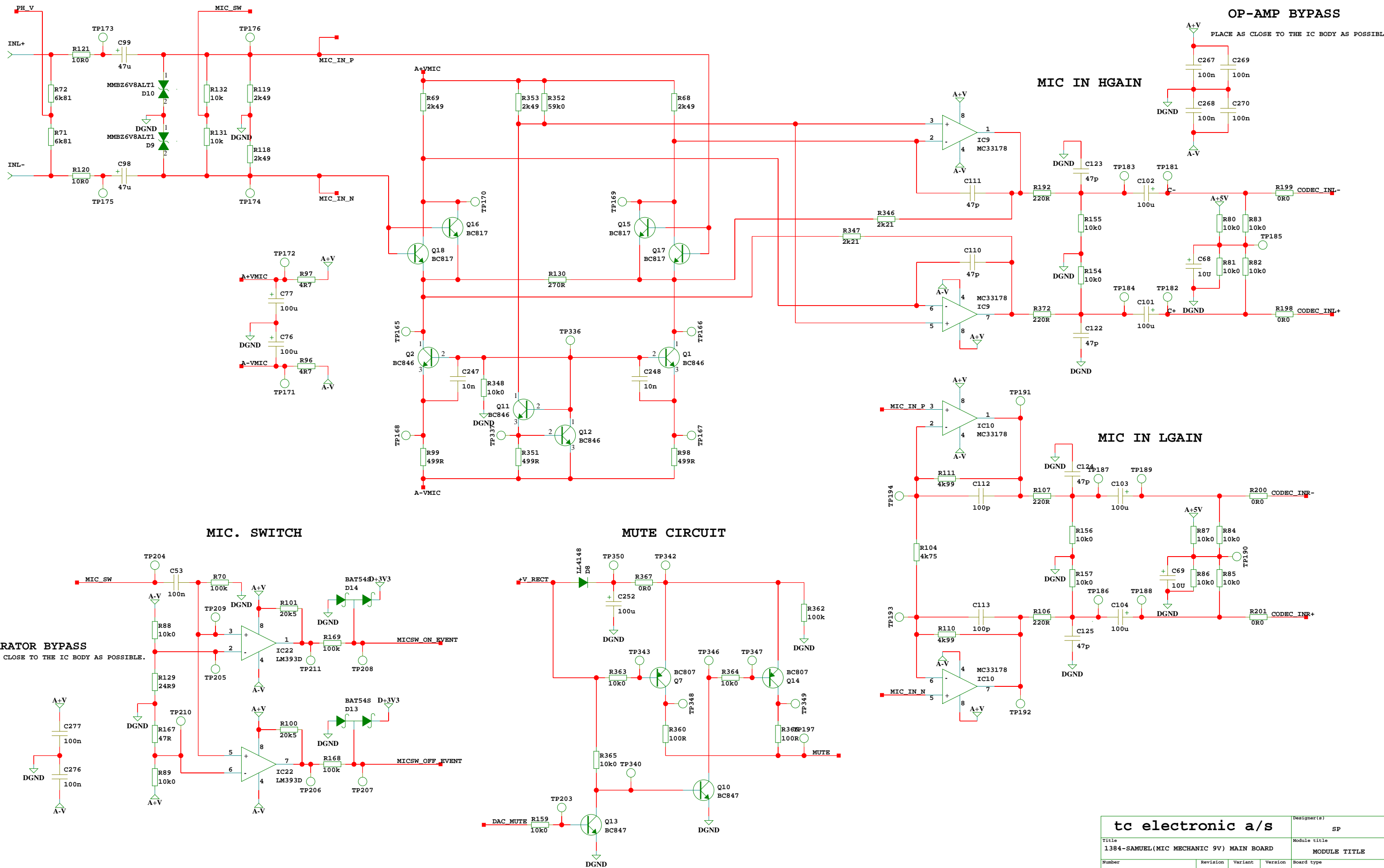


-10dB

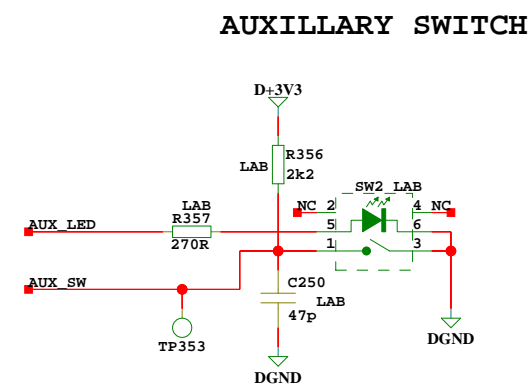
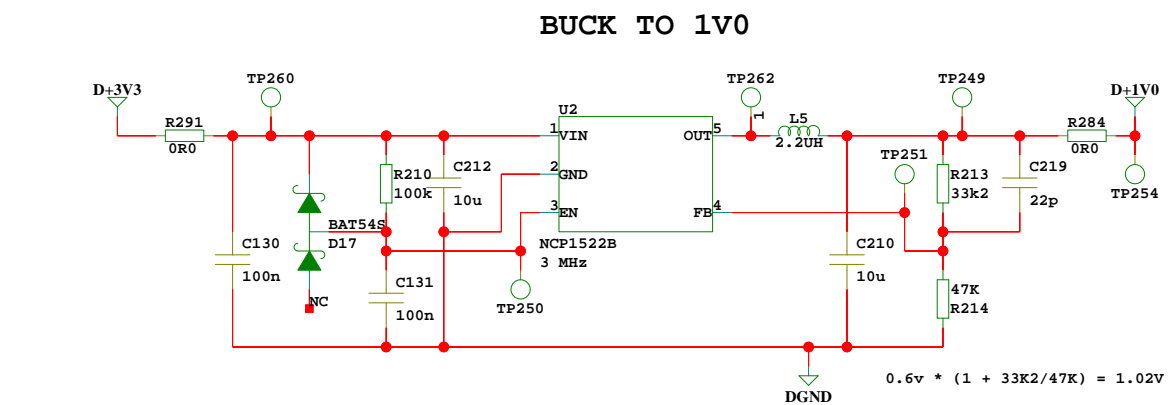
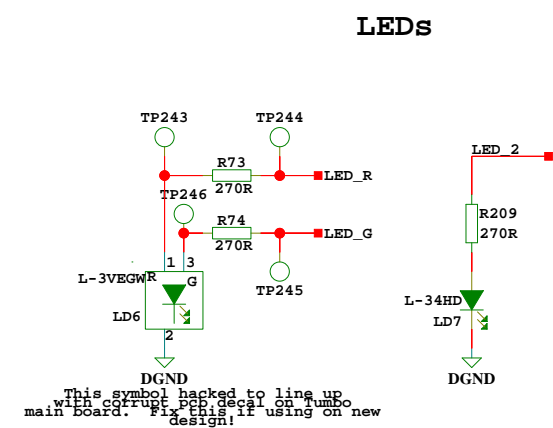
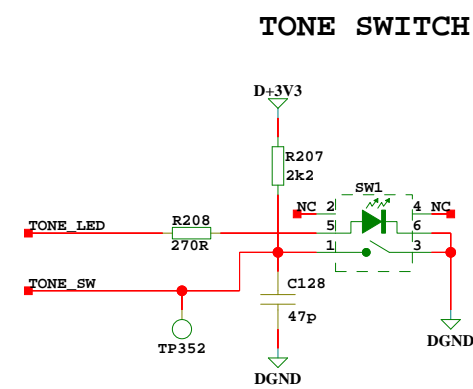
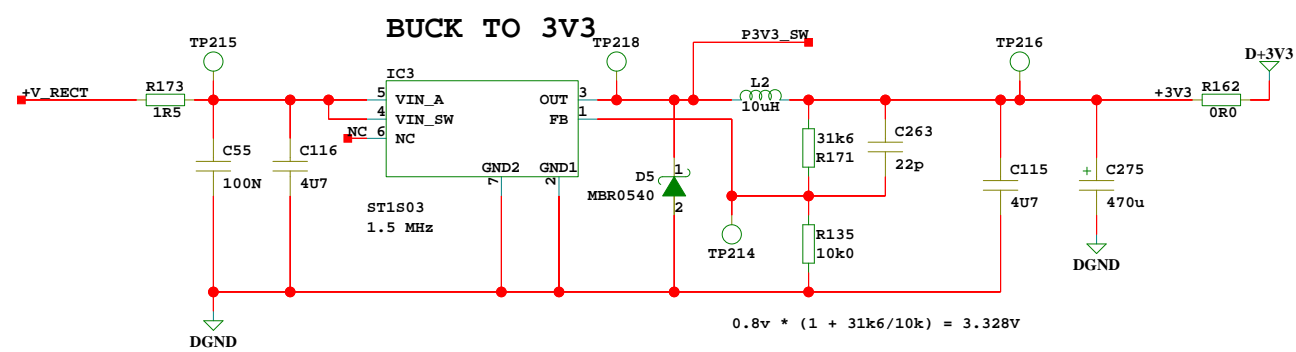
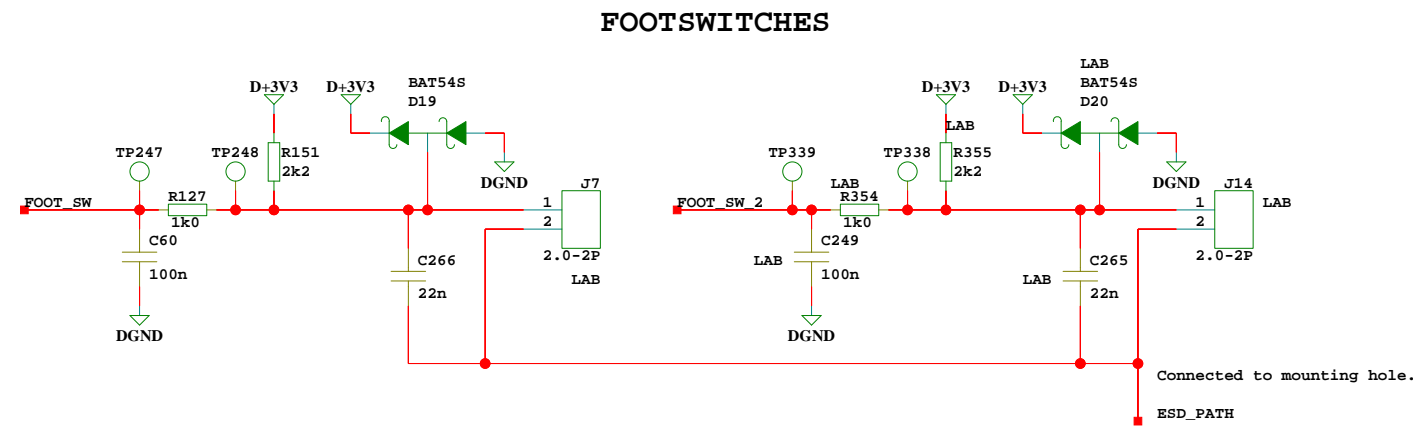
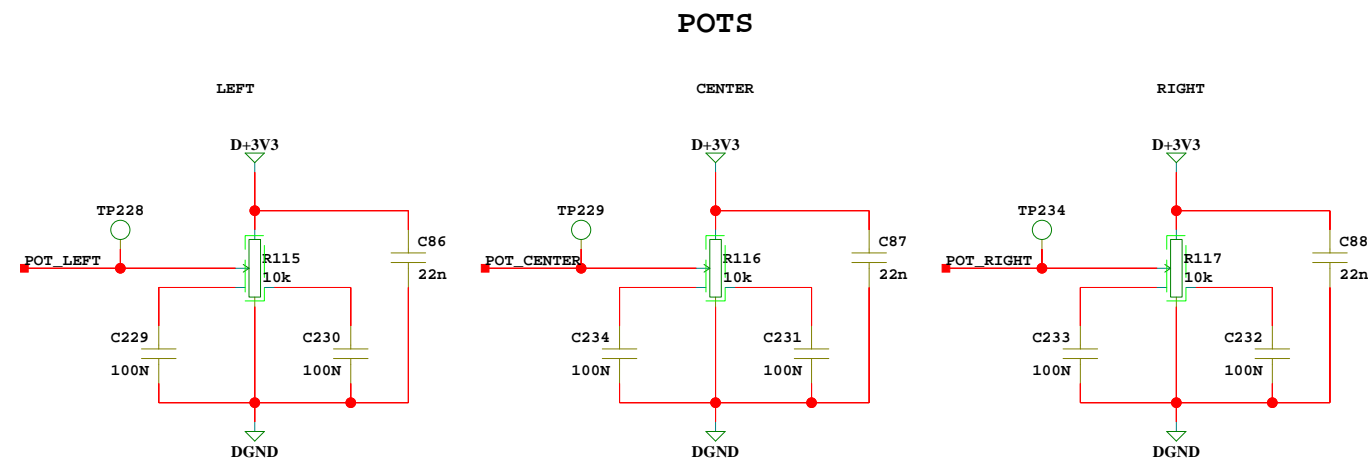
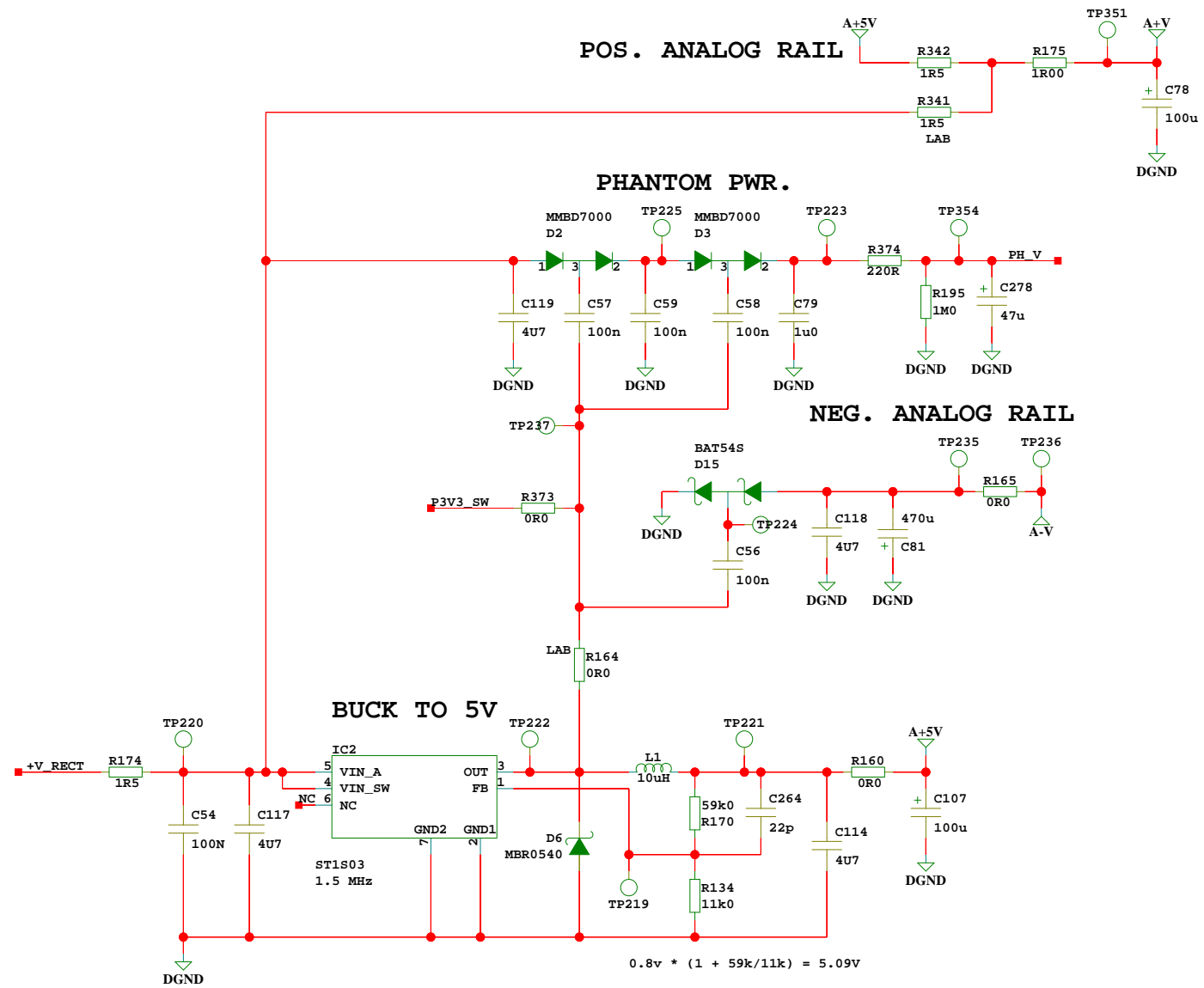
GUITAR IN FILTER



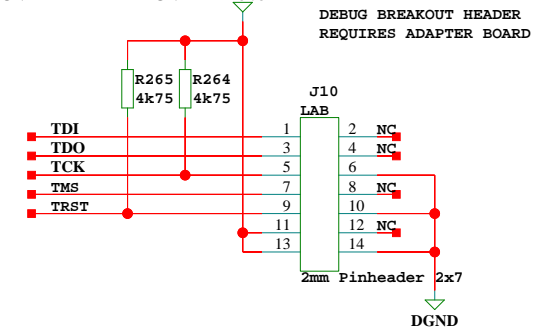
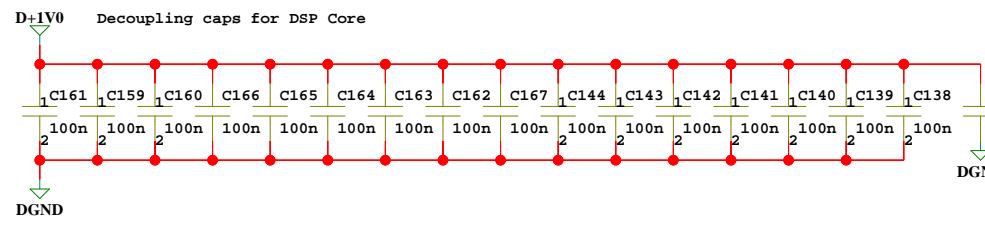
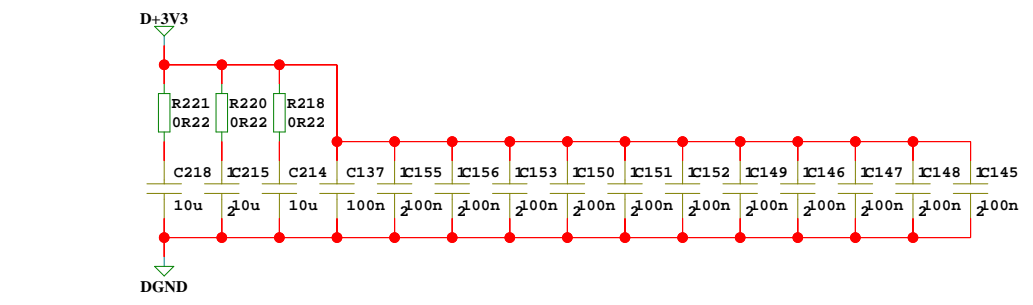
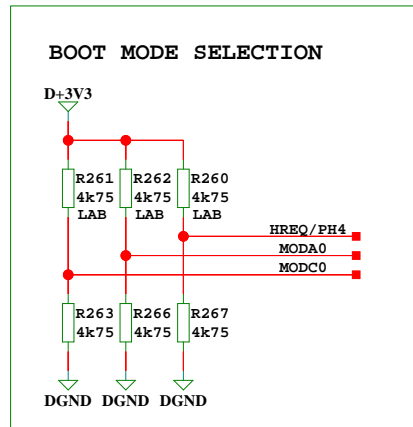
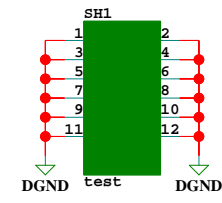
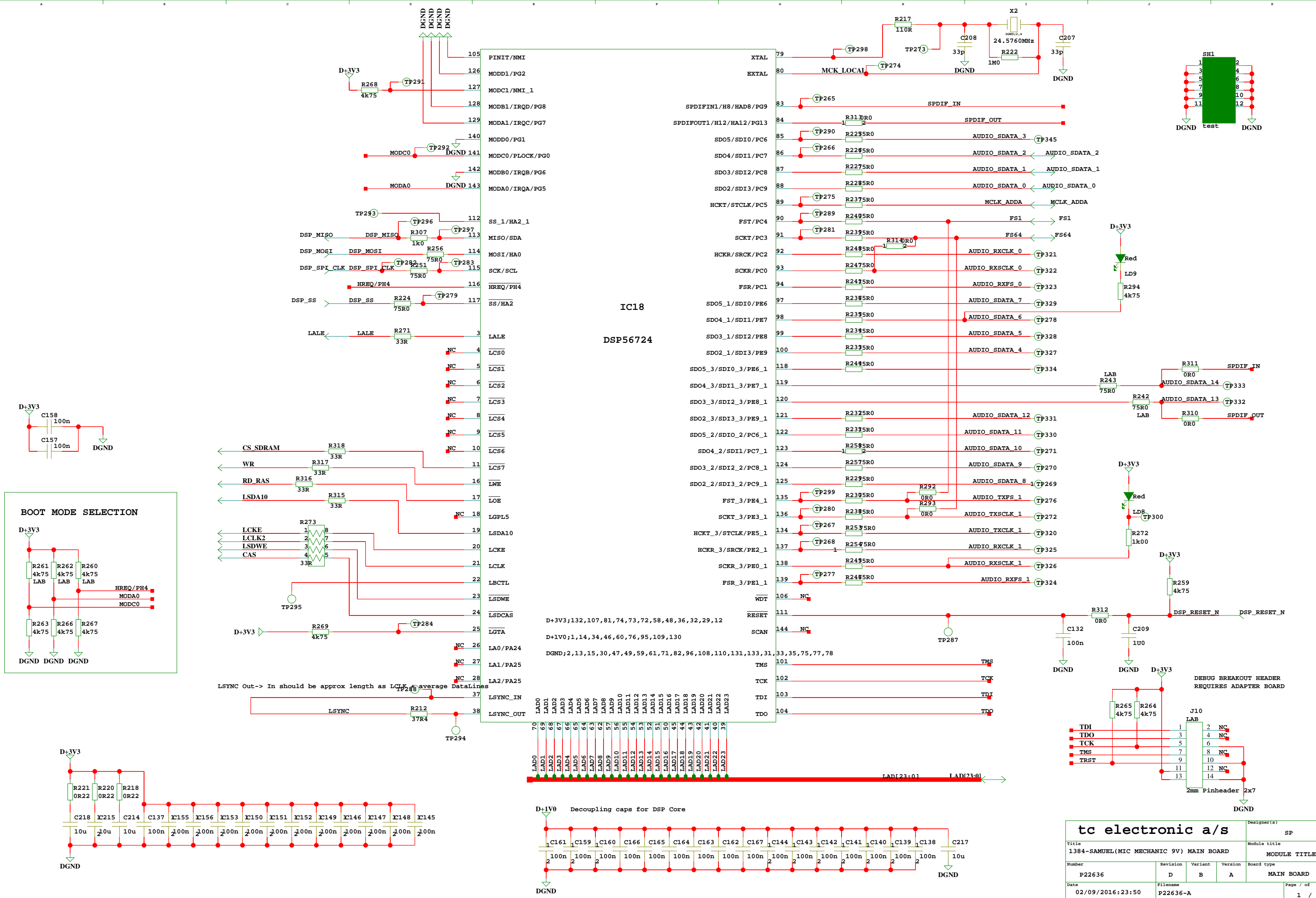
tc electronic a/s				Designer(s)	SP
1384-SAMUEL(MIC MECHANIC 9V) MAIN BOARD				Module title	
MODULE TITLE				Board type	
Number	Revision	Variant	Version	MAIN BOARD	
P22636	D	B	A		
Date	Filename	Page / of			
02/09/2016:23:50	P22636-A	1 / 6			



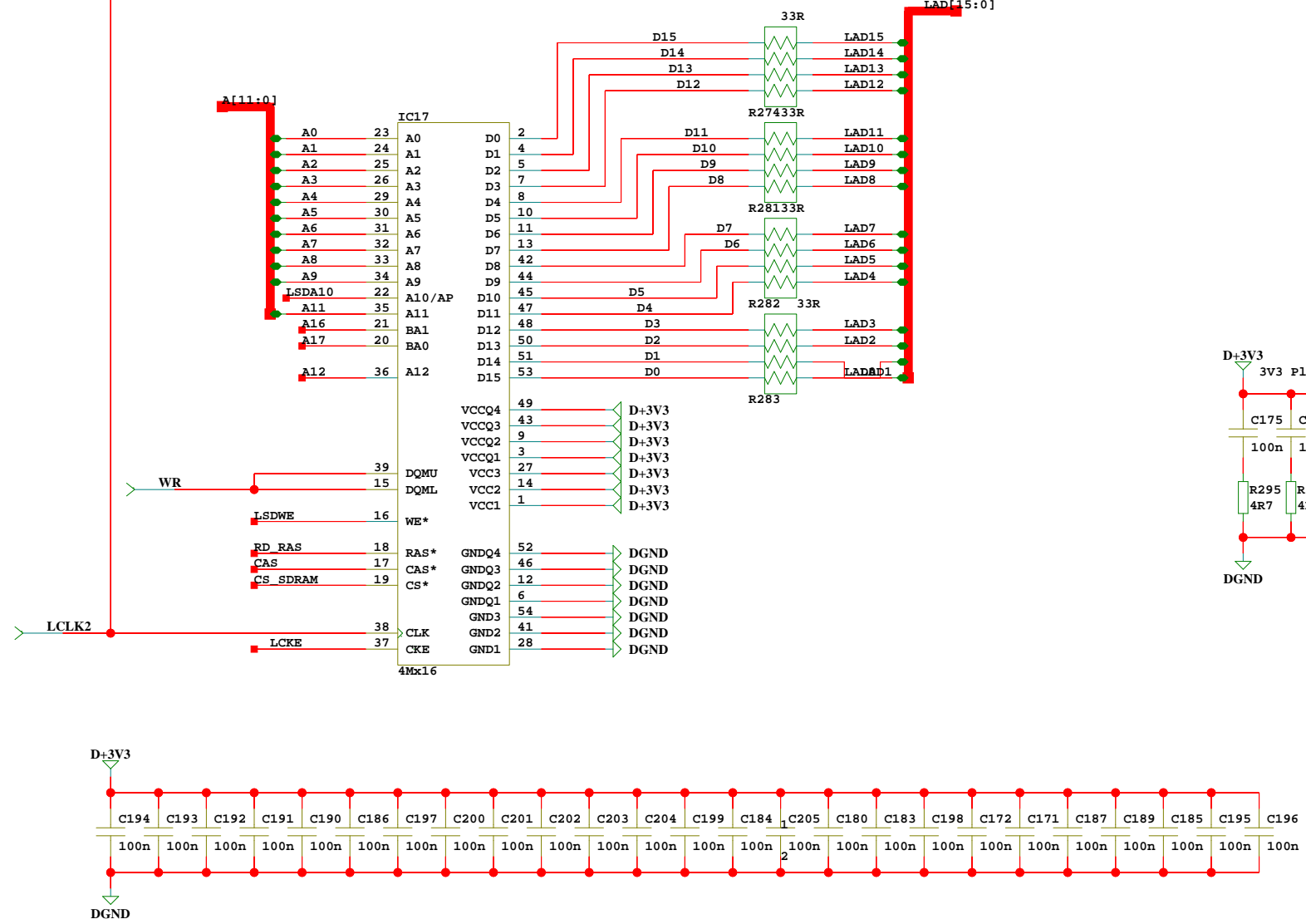
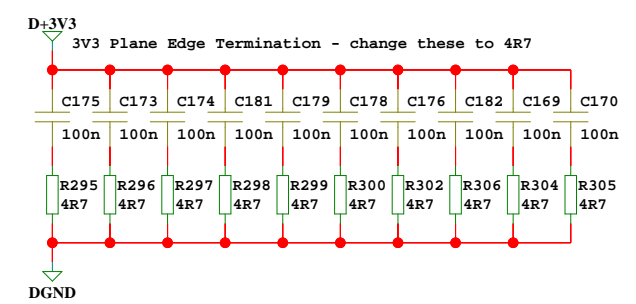
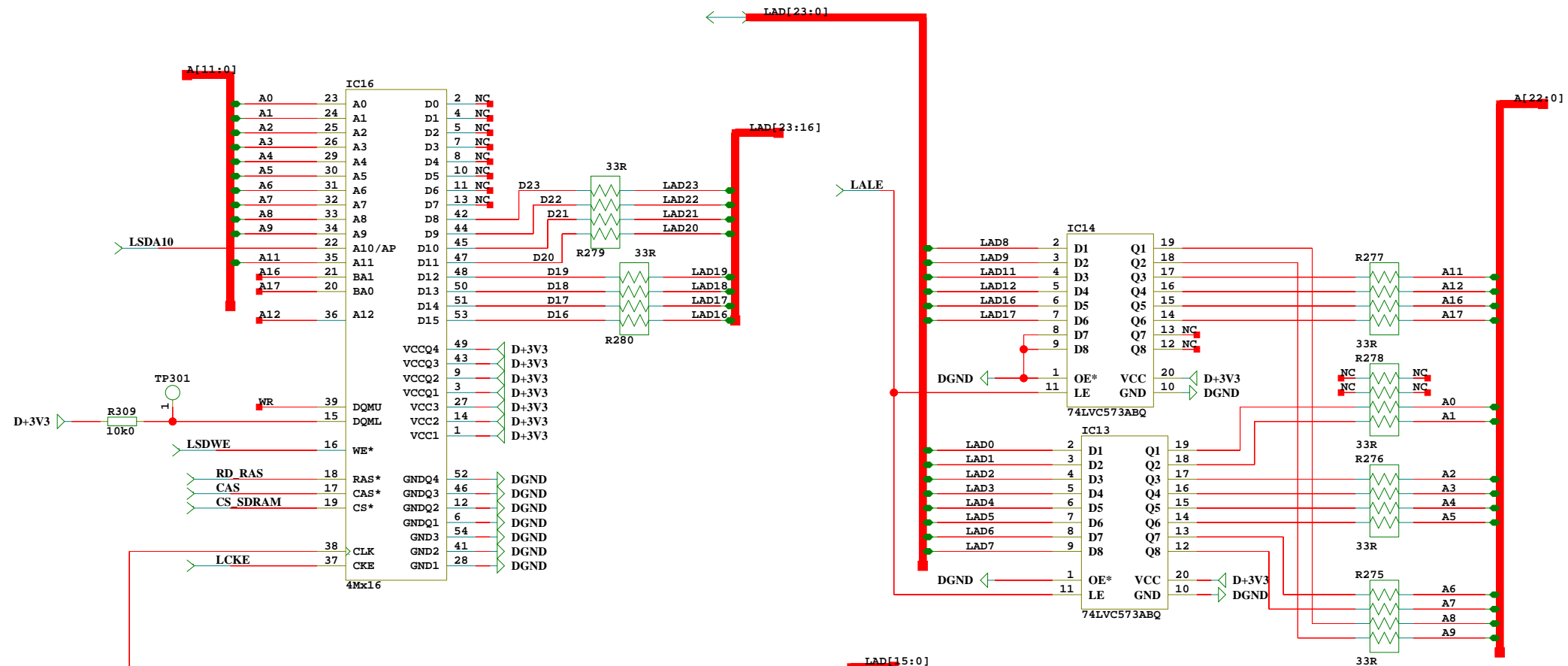
tc electronic a/s				Designer(s)	SP
Title 1384-SAMUEL(MIC MECHANIC 9V) MAIN BOARD				Module title MODULE TITLE	
Number P22636	Revision D	Variant B	Version A	Board type MAIN BOARD	
Date 02/09/2016:23:50	Filename P22636-A			Page / of 1 / 6	



tc electronic a/s				Designer(s)	SP
Title				Module title	
1384-SAMUEL(MIC MECHANIC 9V) MAIN BOARD				MODULE TITLE	
Number	Revision	Variant	Version	Board type	
P22636	D	B	A	MAIN BOARD	
Date	Filename				Page / of
02/09/2016:23:50	P22636-A				1 / 6



tc electronic a/s				Designer(s)	SP
Title 1384-SAMUEL(MIC MECHANIC 9V) MAIN BOARD				Module title MODULE TITLE	
Number P22636	Revision D	Variant B	Version A	Board type MAIN BOARD	
Date 02/09/2016:23:50	Filename P22636-A			Page / of 1 / 6	



tc electronic a/s				Designer(s)	SP
Title				Module title	
1384-SAMUEL(MIC MECHANIC 9V) MAIN BOARD				MODULE TITLE	
Number	Revision	Variant	Version	Board type	
P22636	D	B	A	MAIN BOARD	
Date	Filename			Page / of	
02/09/2016:23:50	P22636-A			1 / 6	

