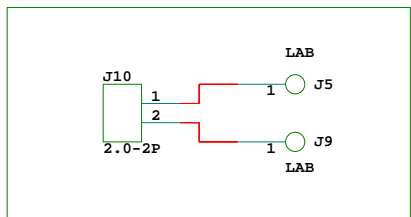
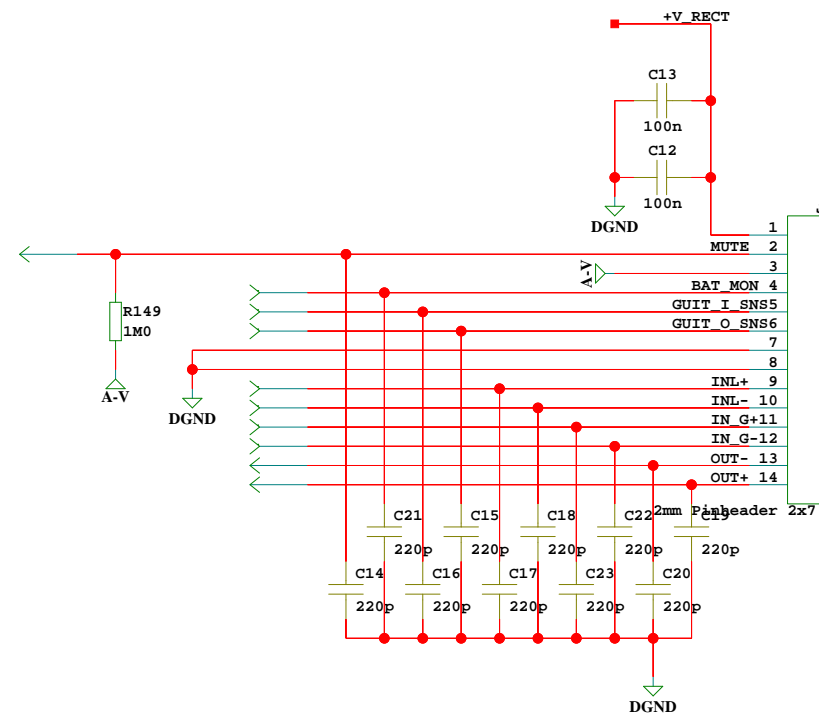


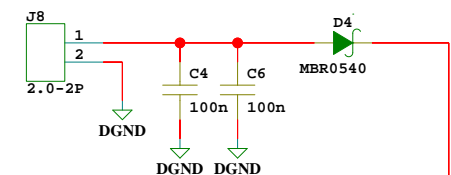
### BATTERY BOARD



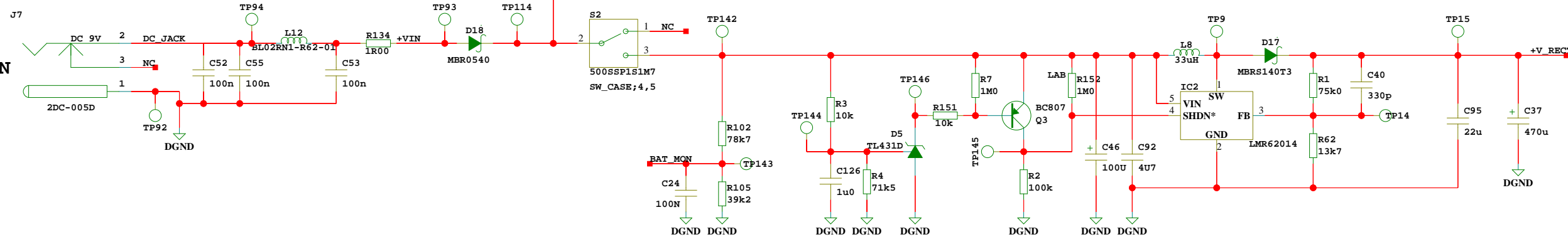
### MAIN BRD. CONN.



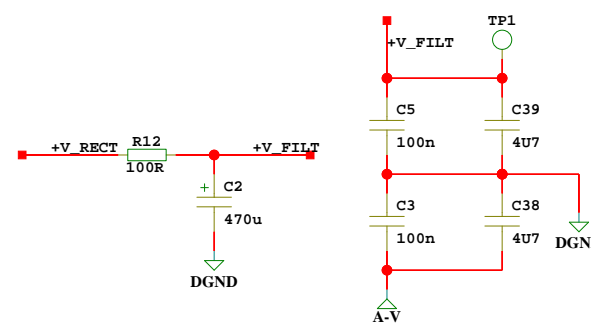
### BATTERY CONN.



### DC PWR IN

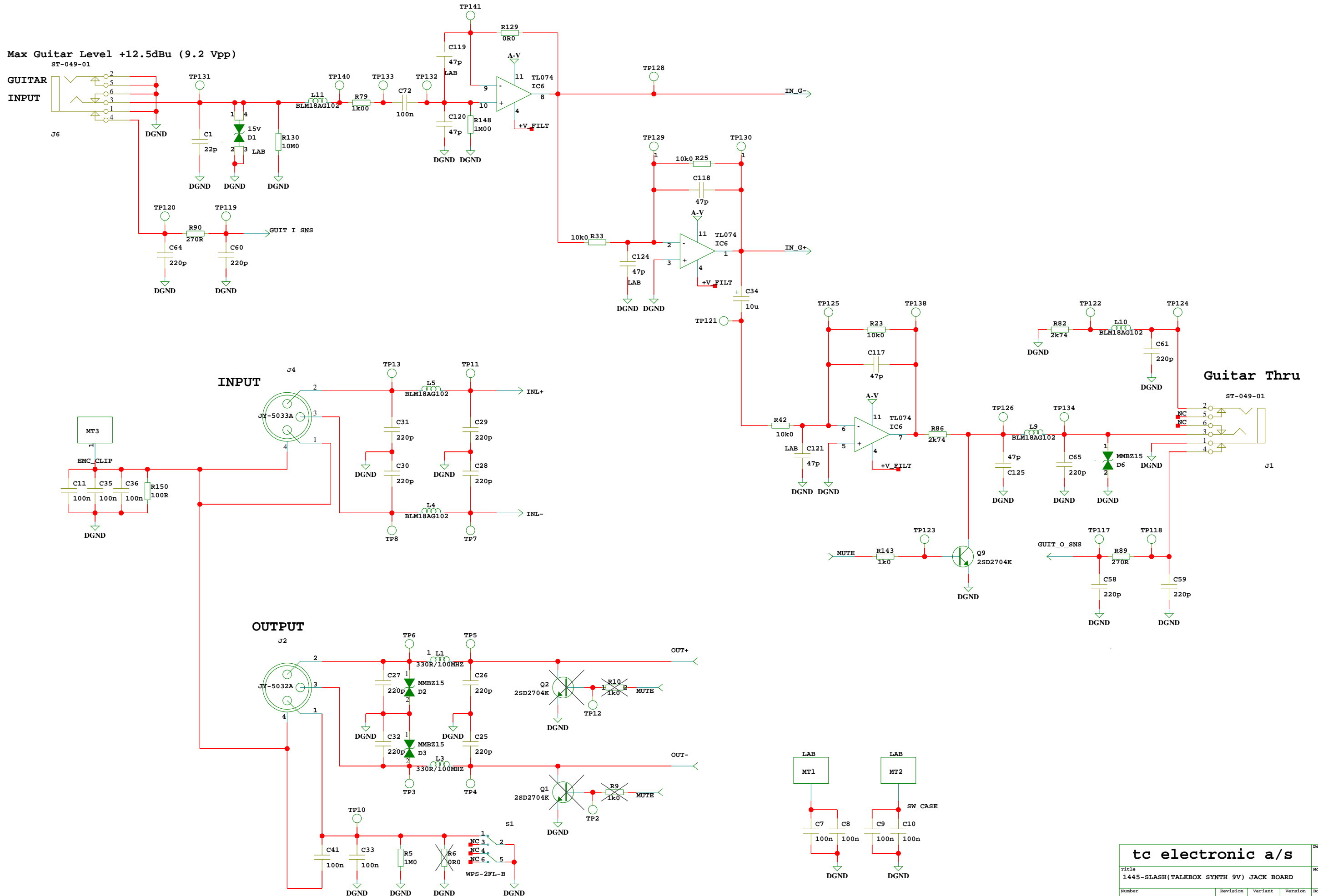


### DECOUPLING



M1  
P22635-C

tc electronic a/s				Designer(s)	SP
1445-SLASH(TALKBOX SYNTH 9V) JACK BOARD				Module title	MODULE TITLE
Number	Revision	Variant	Version	Board type	
P22635	C	E	A	JACKBOARD	
Date	Filename			Page / of	
16/11/2016:14:01	P22635-A			1 / 2	



<b>tc electronic a/s</b>				Designer(s)	SP
Title 1445-SLASH(TALKBOX SYNTH 9V) JACK BOARD				Module title MODULE TITLE	
Number P22635	Revision C	Variant E	Version A	Board type JACKBOARD	
Date 16/11/2016:14:01	Filename P22635-A			Page / of 1 / 2	

