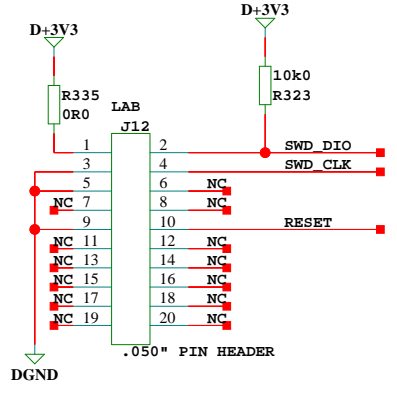
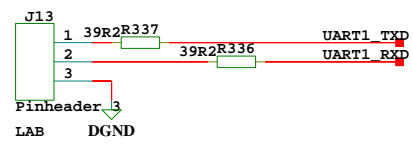


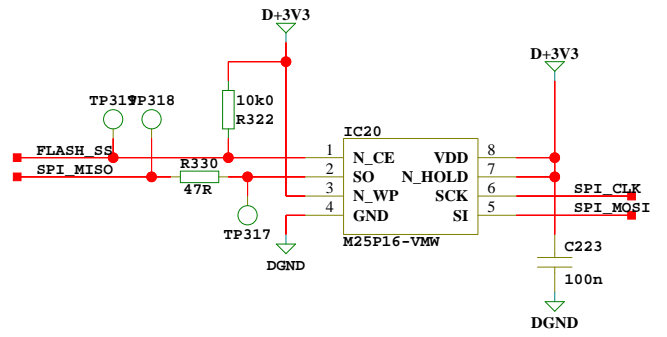
MCU DEBUG/PROG HEADER



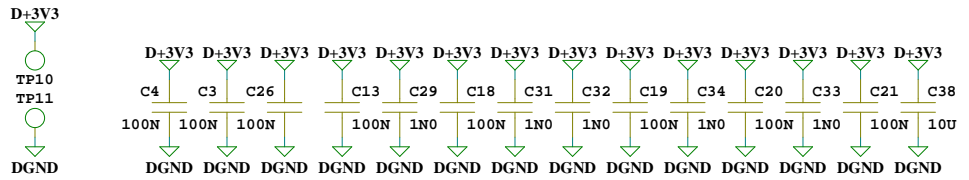
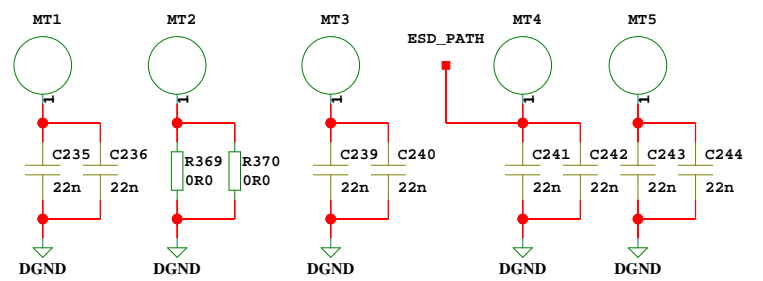
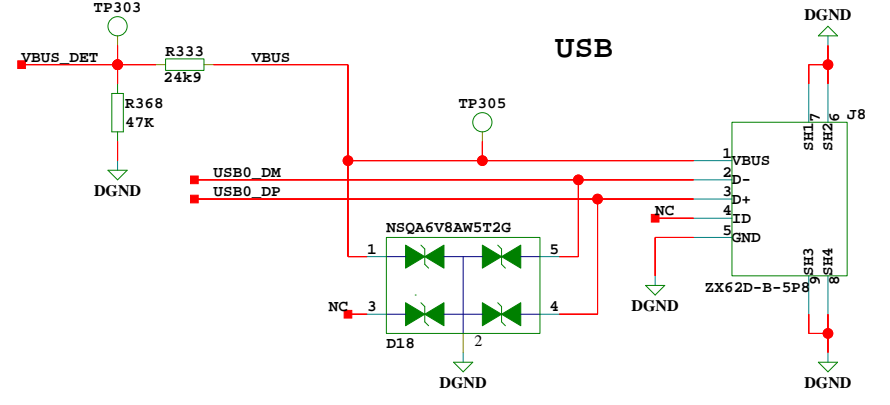
Optional Debug Comm Header



BOOT FLASH

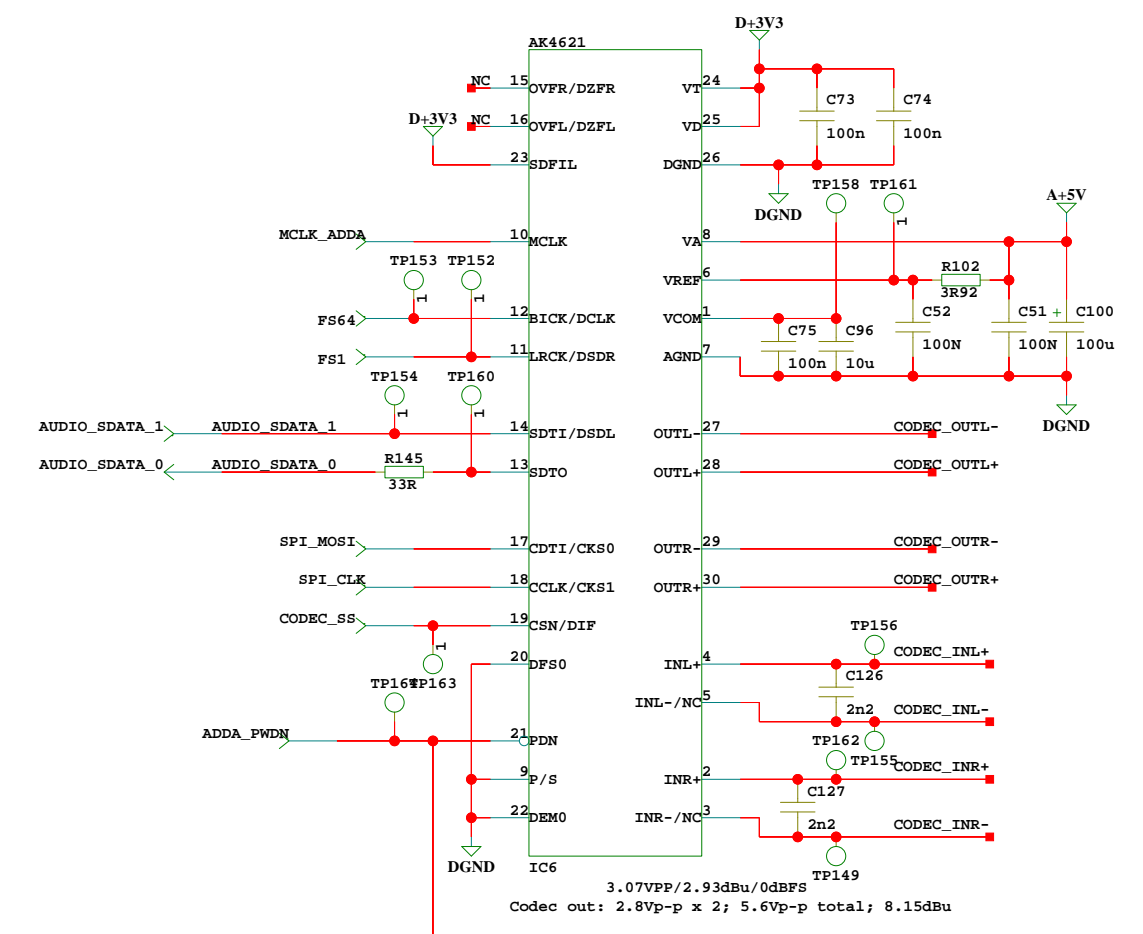


USB



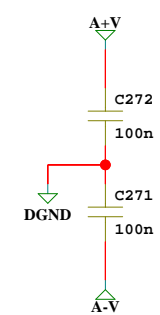
tc electronic a/s				Designer(s) SP	
Title 1445-SLASH(TALKBOX SYNTH 9V) MAIN BOARD				Module title MODULE TITLE	
Number P22636		Revision D	Variant E	Version A	Board type MAIN BOARD
Date 16/11/2016:14:19	Filename		Page / of 1 / 6		

AUDIO CODEC

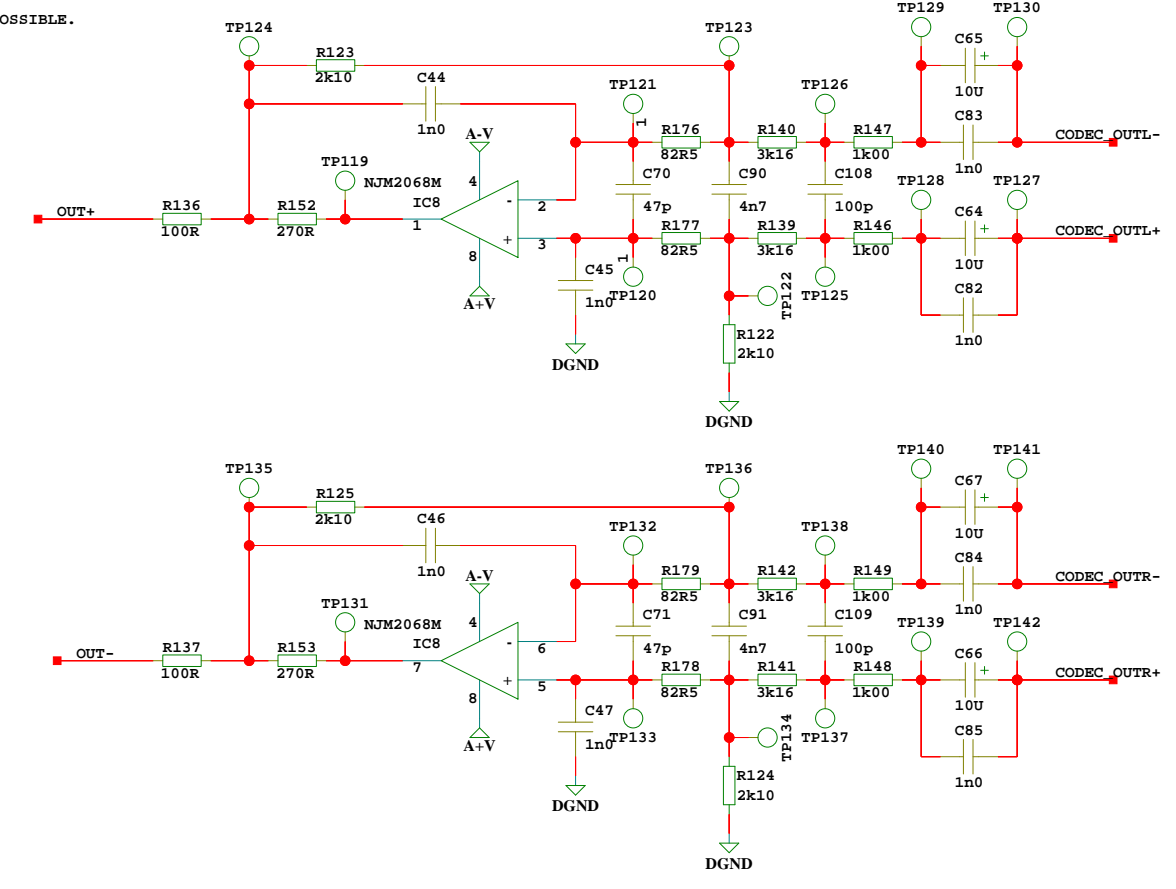


OP-AMP BYPASS

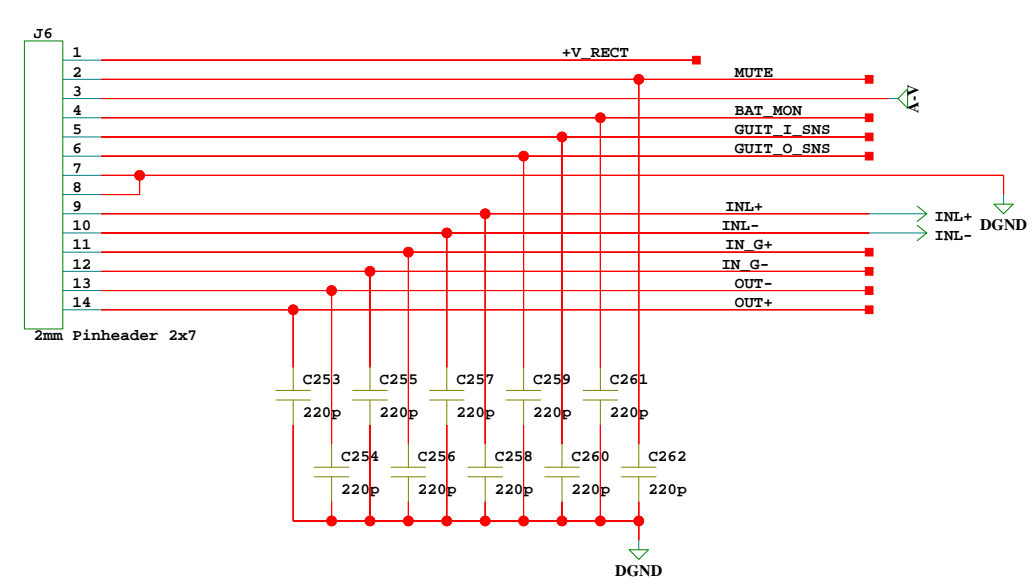
PLACE AS CLOSE TO THE IC BODY AS POSSIBLE.



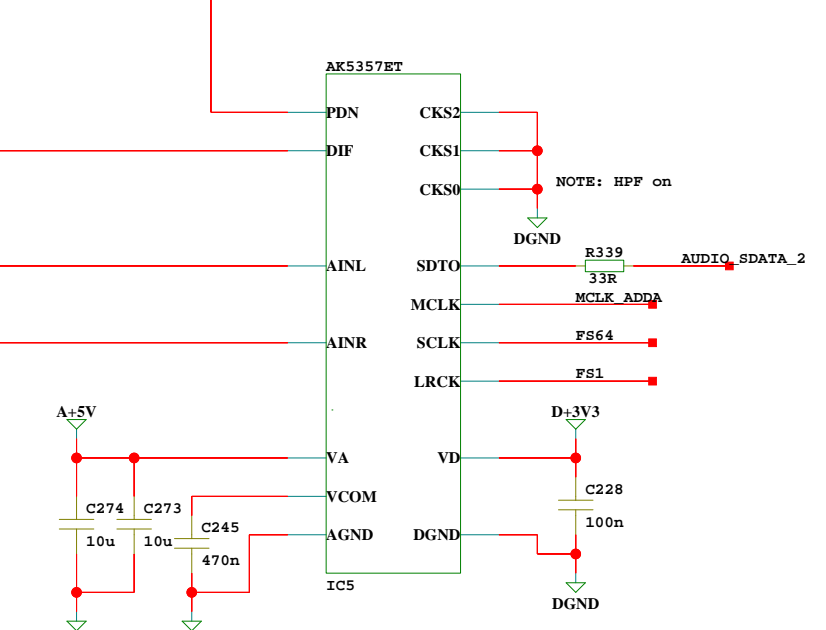
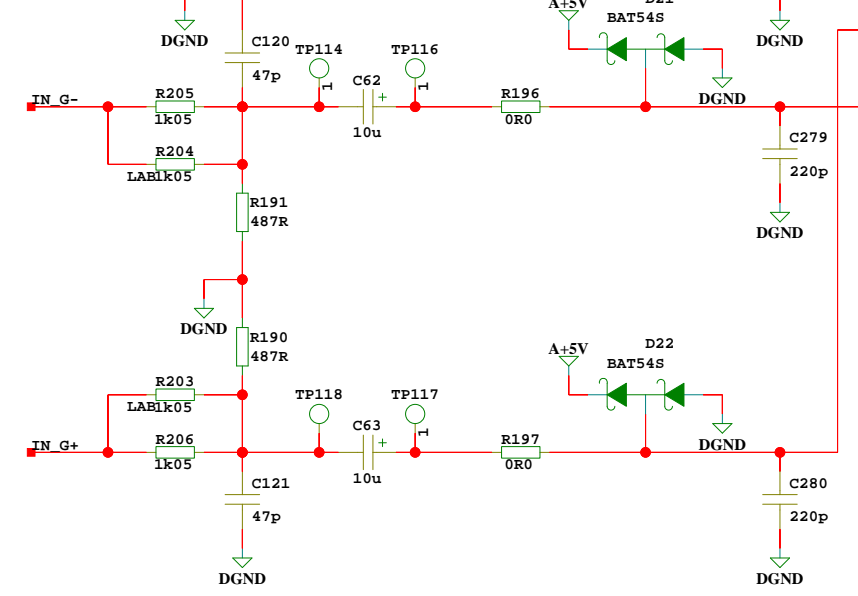
MIC OUT



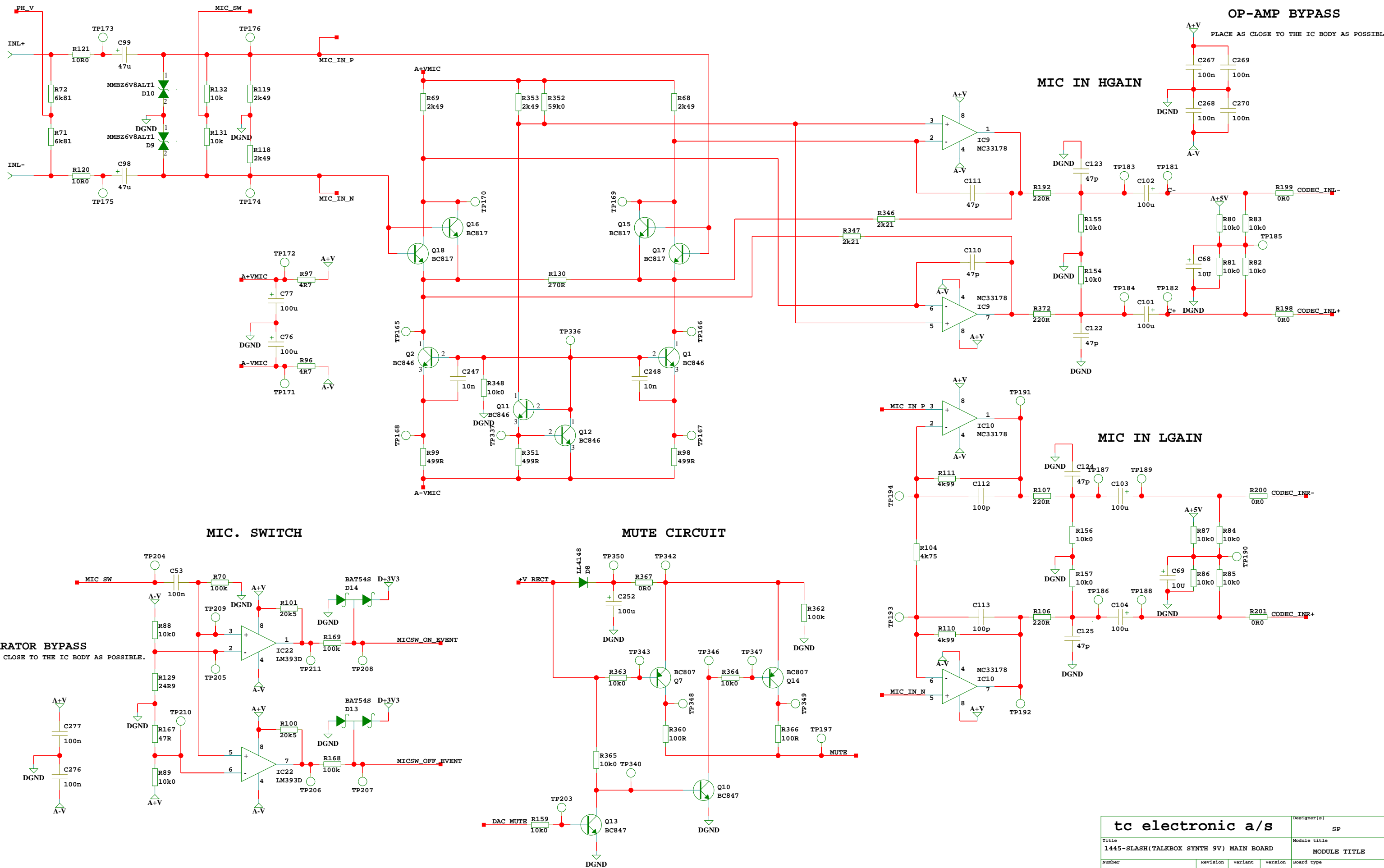
TO JACK BOARD



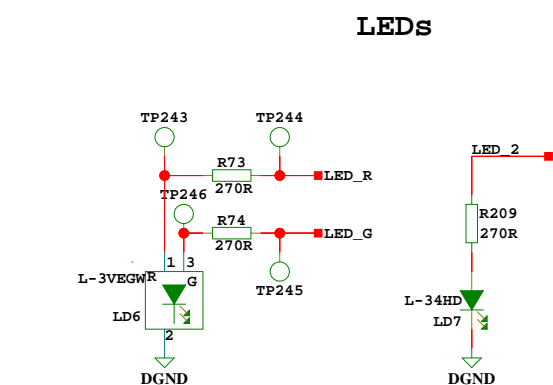
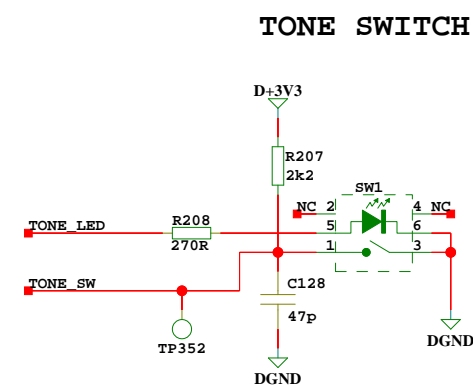
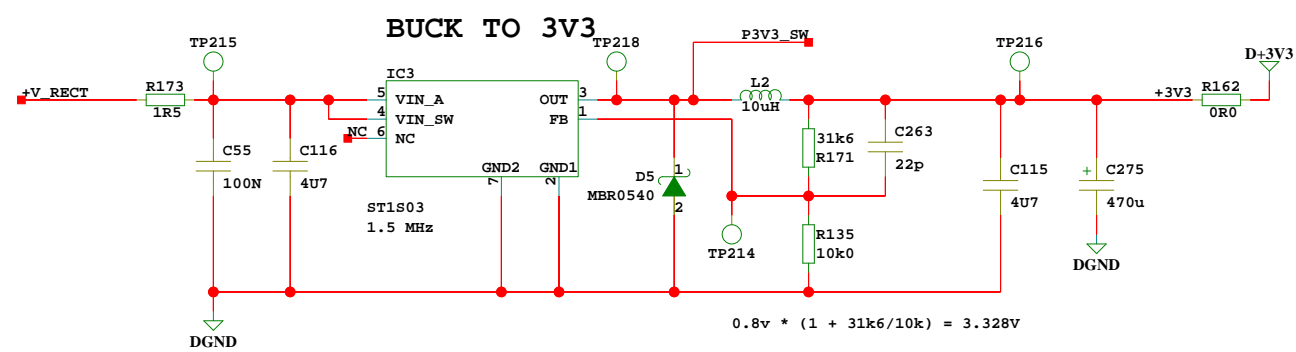
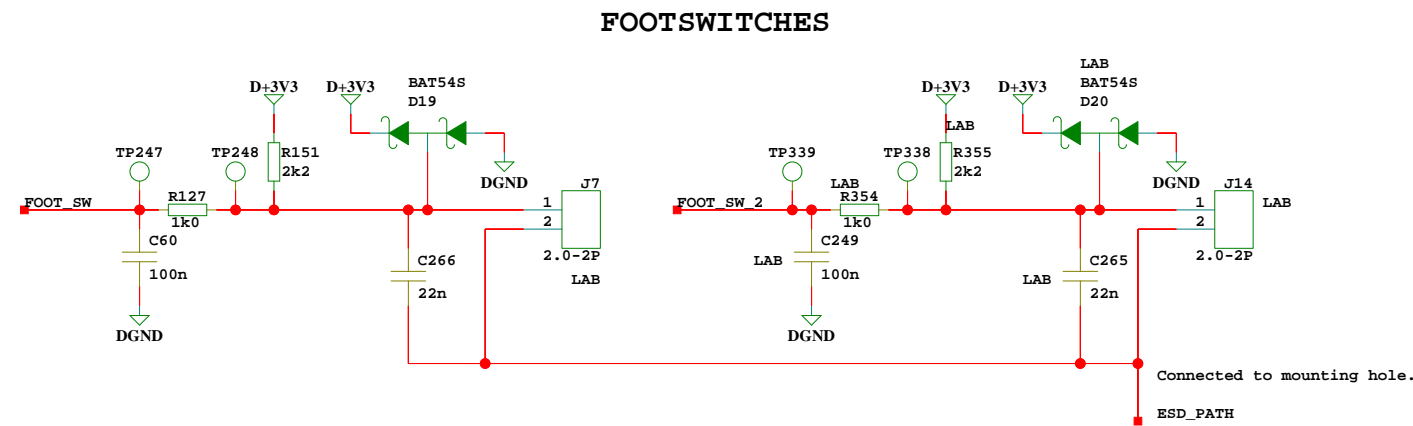
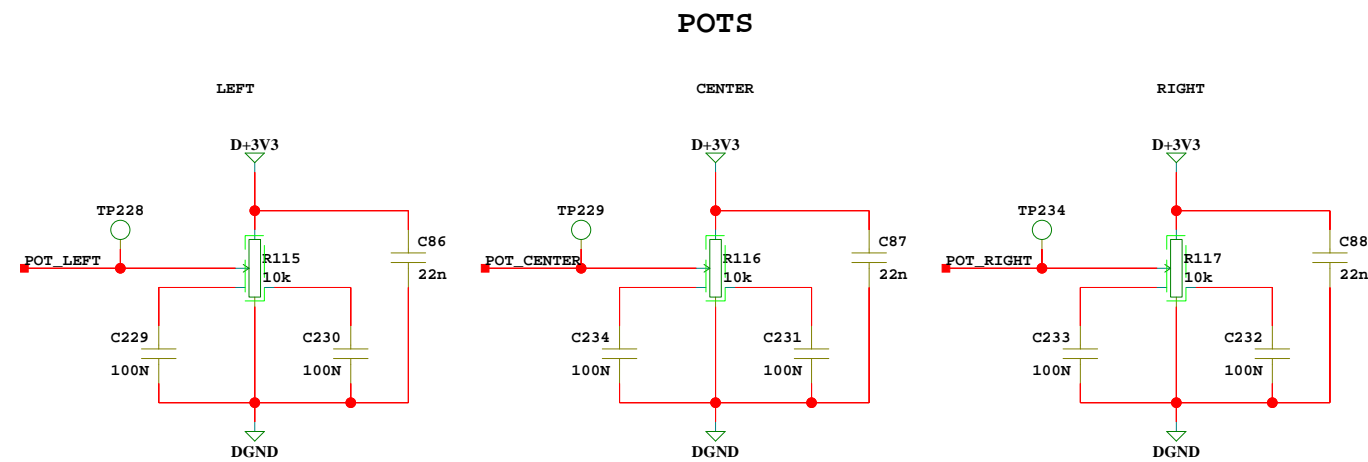
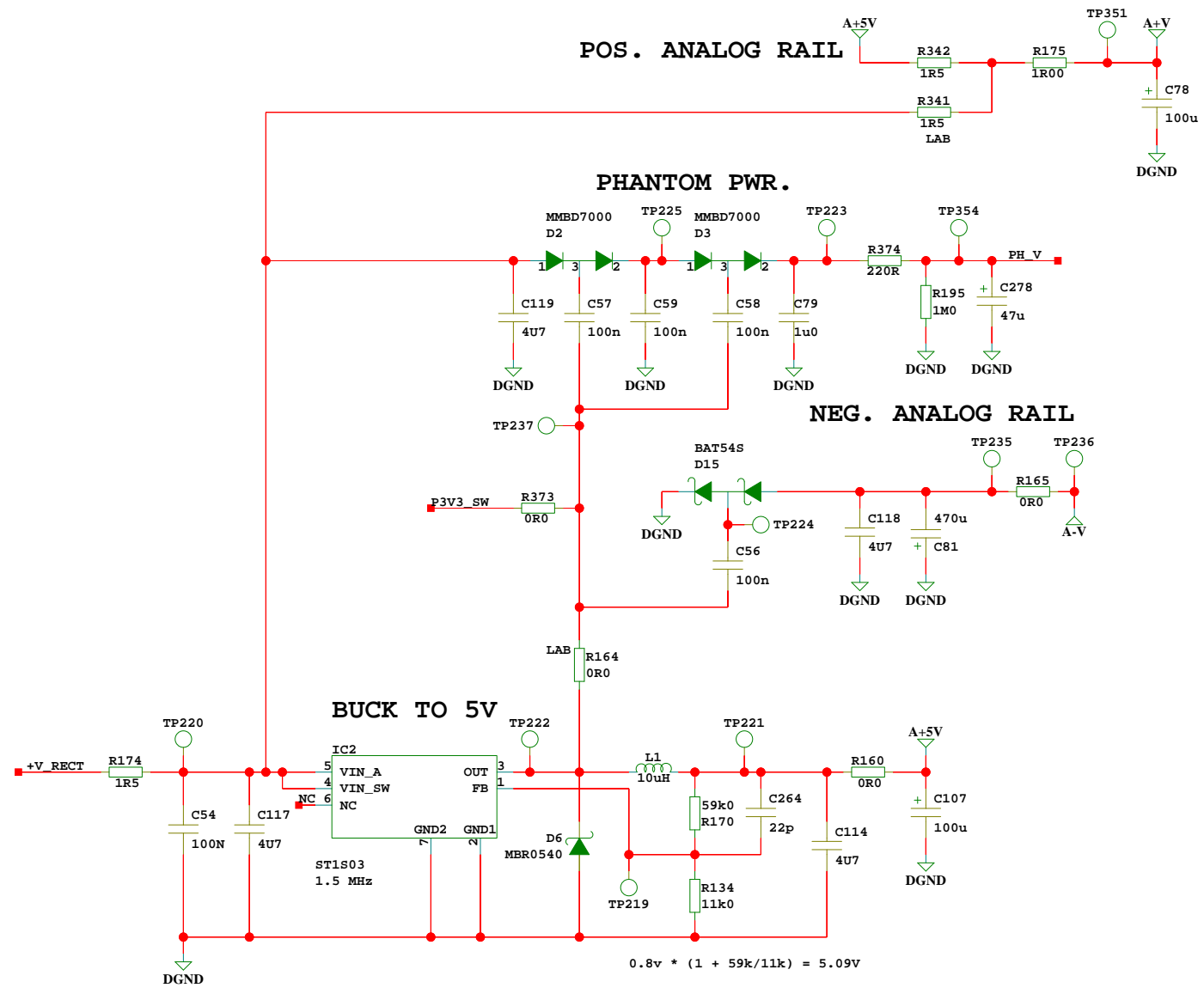
-10dB GUITAR IN FILTER



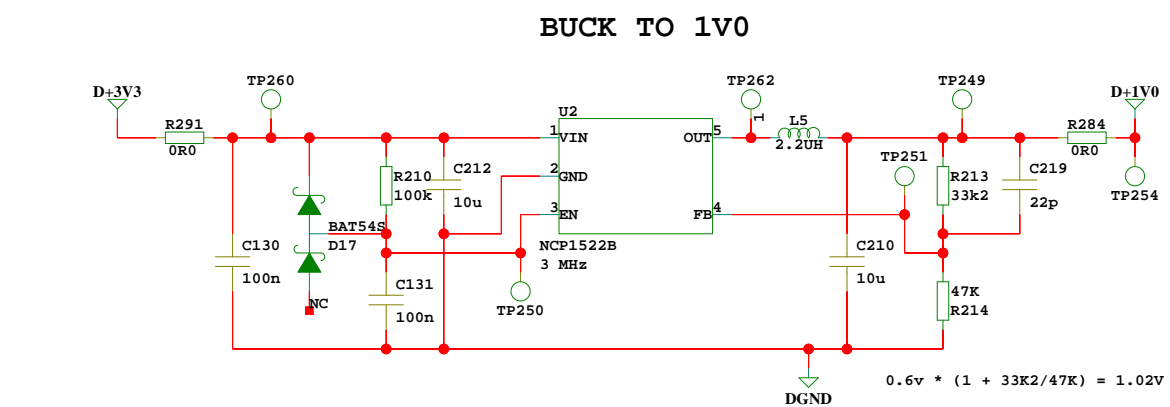
tc electronic a/s				Designer(s)	SP
1445-SLASH(TALKBOX SYNTH 9V) MAIN BOARD				Module title	
MODULE TITLE				Board type	
Number	Revision	Variant	Version	MAIN BOARD	
P22636	D	E	A		
Date	Filename	Page / of			
16/11/2016:14:19	P22636-A	1 / 6			



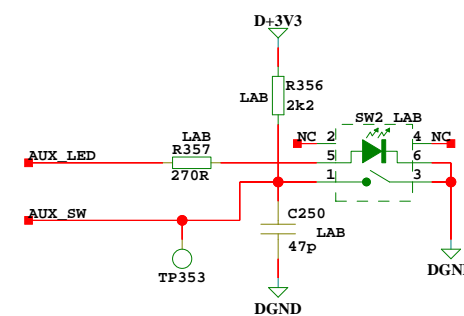
tc electronic a/s				Designer(s)	SP
1445-SLASH(TALKBOX SYNTH 9V) MAIN BOARD				Module title	MODULE TITLE
Number	Revision	Variant	Version	Board type	
P22636	D	E	A	MAIN BOARD	
Date	Filename				Page / of
16/11/2016:14:19	P22636-A				1 / 6



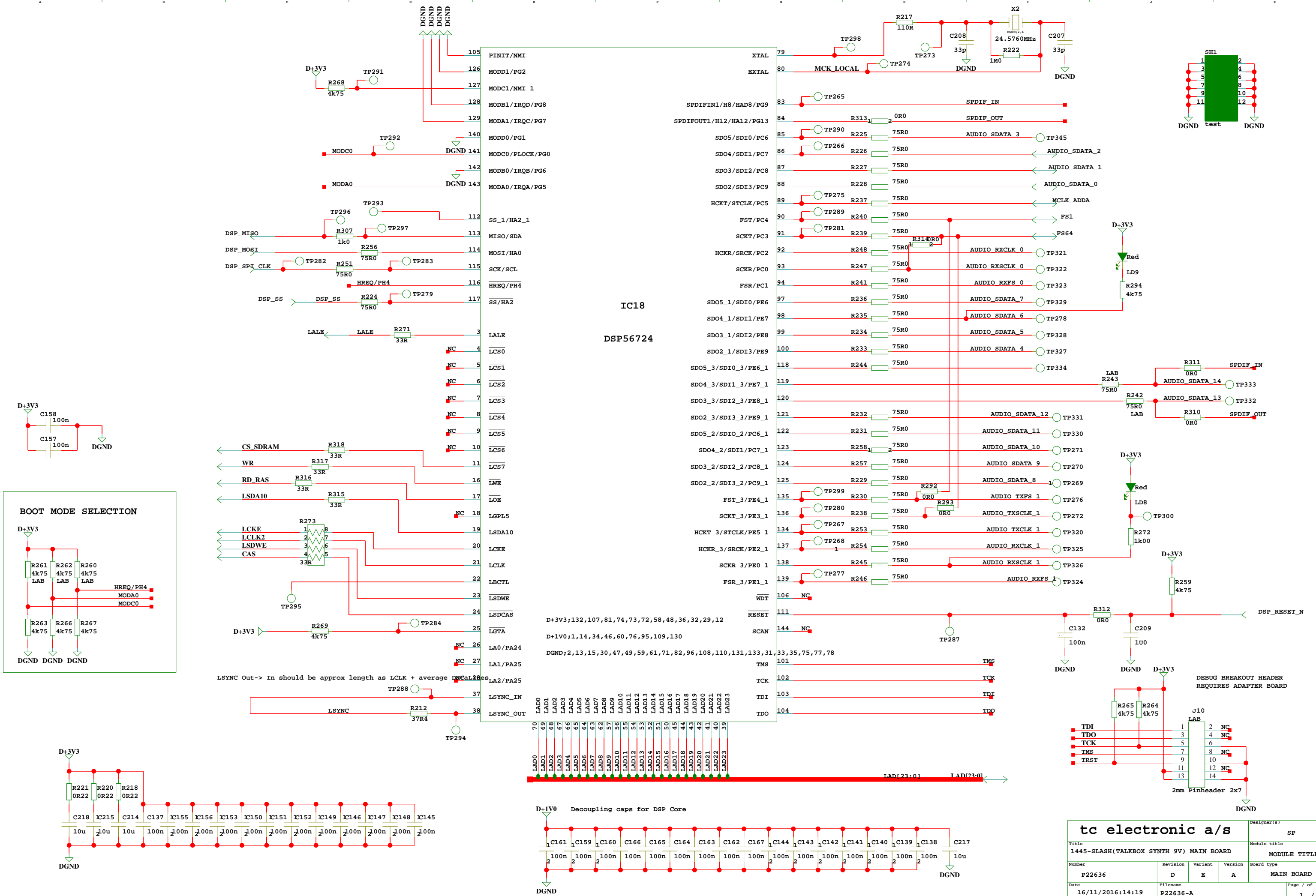
This symbol backed to line up with correct pin decal on main board. Fix this if using on new design!



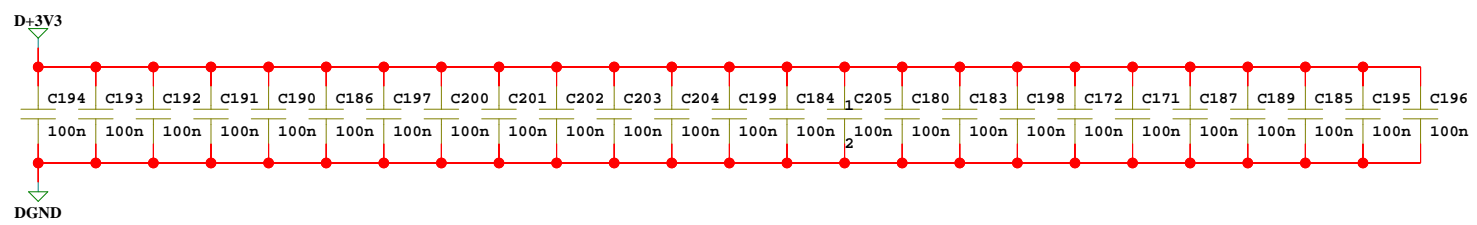
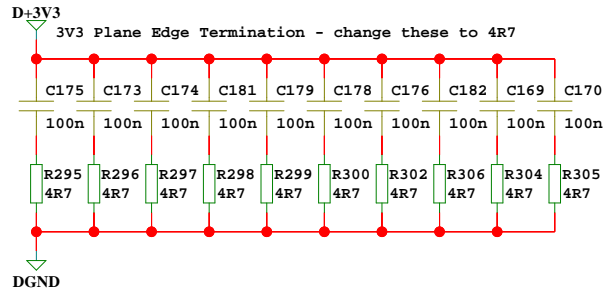
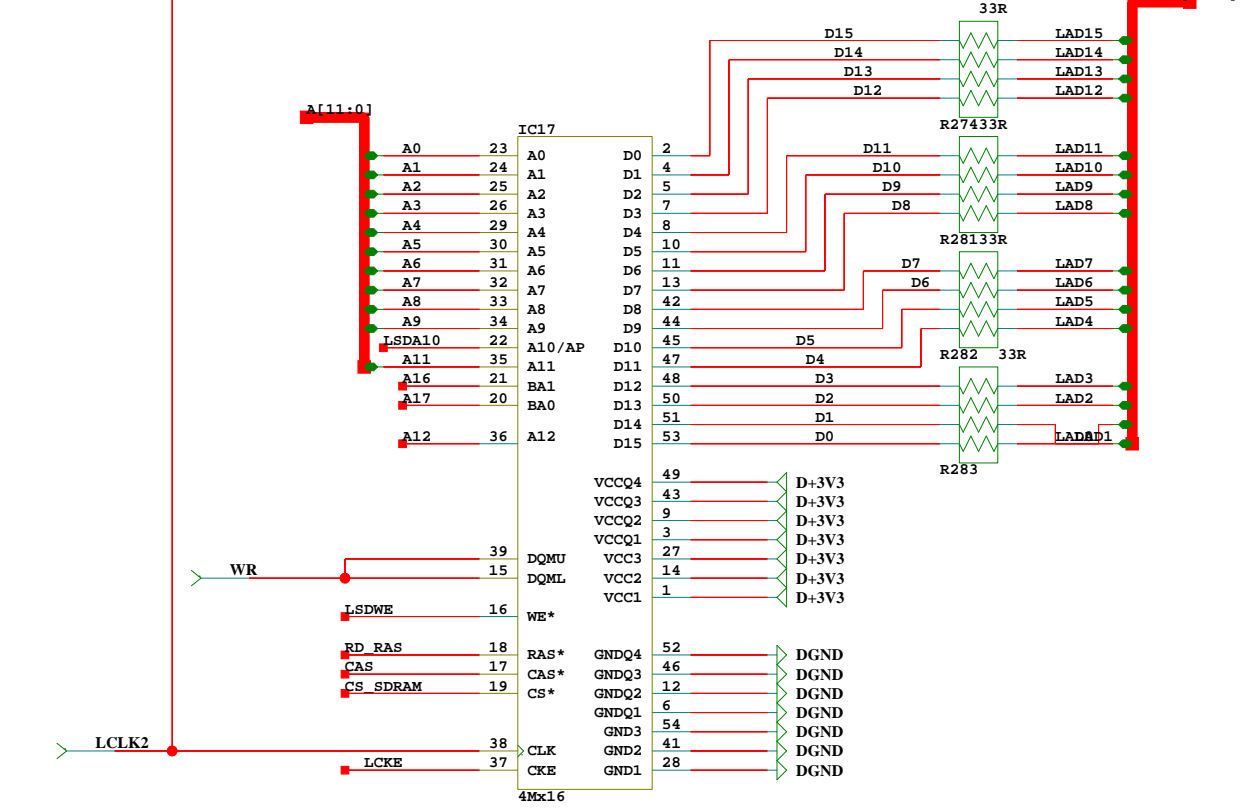
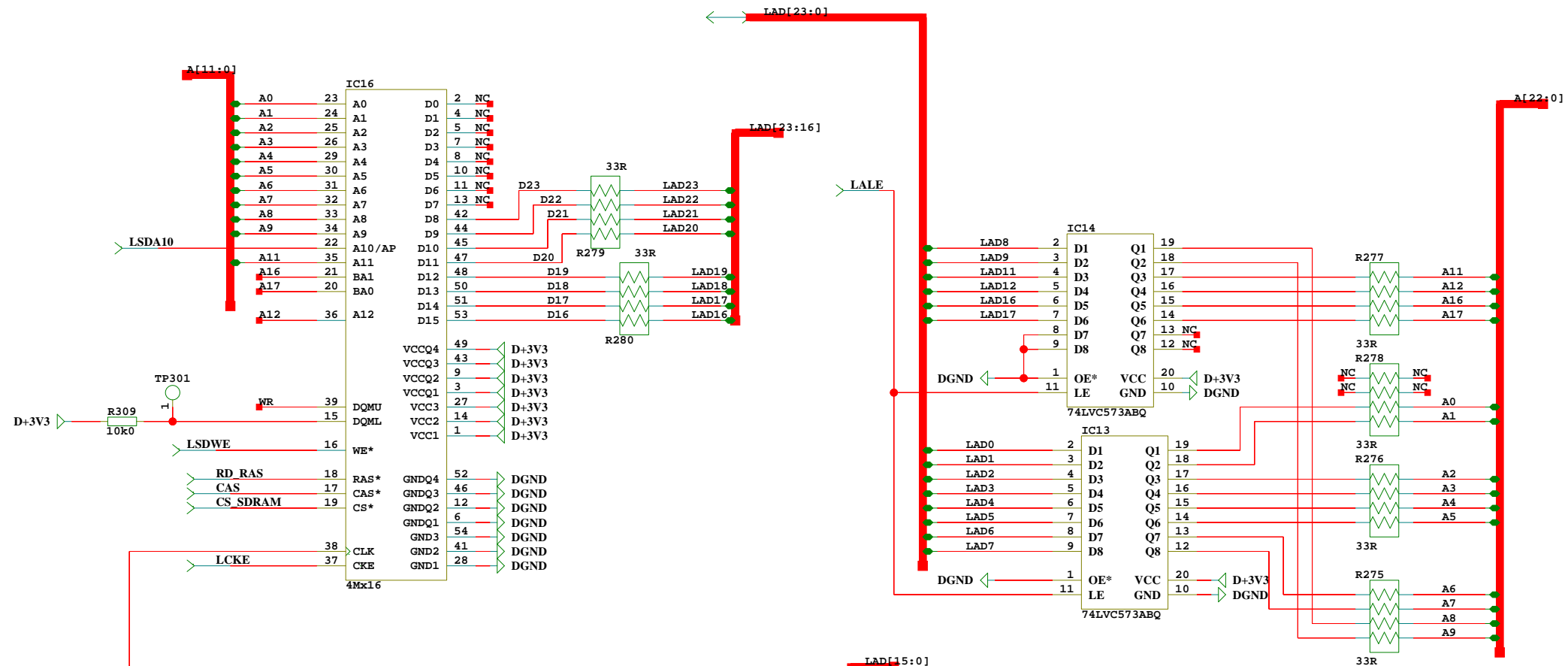
AUXILLARY SWITCH



tc electronic a/s				Designer(s)	SP
Title				Module title	
1445-SLASH(TALKBOX SYNTH 9V) MAIN BOARD				MODULE TITLE	
Number	Revision	Variant	Version	Board type	
P22636	D	E	A	MAIN BOARD	
Date	Filename			Page / of	
16/11/2016:14:19	P22636-A			1 / 6	



tc electronic a/s				Designer(s)	SP
Title 1445-SLASH(TALKBOX SYNTH 9V) MAIN BOARD				Module title MODULE TITLE	
Number P22636	Revision D	Variant E	Version A	Board type MAIN BOARD	
Date 16/11/2016:14:19	Filename P22636-A			Page / of 1 / 6	



tc electronic a/s				Designer(s)	SP
1445-SLASH(TALKBOX SYNTH 9V) MAIN BOARD				Module title	MODULE TITLE
F22636				Board type	MAIN BOARD
Date	Revision	Variant	Version	Filename	Page / of
16/11/2016:14:19	D	E	A	F22636-A	1 / 6

